

LOGIC COMBI ESP1.

24 30 35

HIGH EFFICIENCY COMBINATION BOILERS



KEY FEATURES

- Easy to see pressure gauge
- Large backlit display with user friendly controls
- Low lift weight (starting from 28.9kg)
- Low component count maximising reliability
- Achieves improved SAP and DER performance for standard combination boiler usage

RELIABLE

- Energy Saving Trust endorsed
- 2 year parts and labour warranty
- Fully modulating operation to low outputs
- Automatic bypass
- Boiler frost protection
- Built-in, easy to use filling loop
- Simple diverter valve design
- Two stage flame sensing for greater reliability
- Latest generation Honeywell gas valve

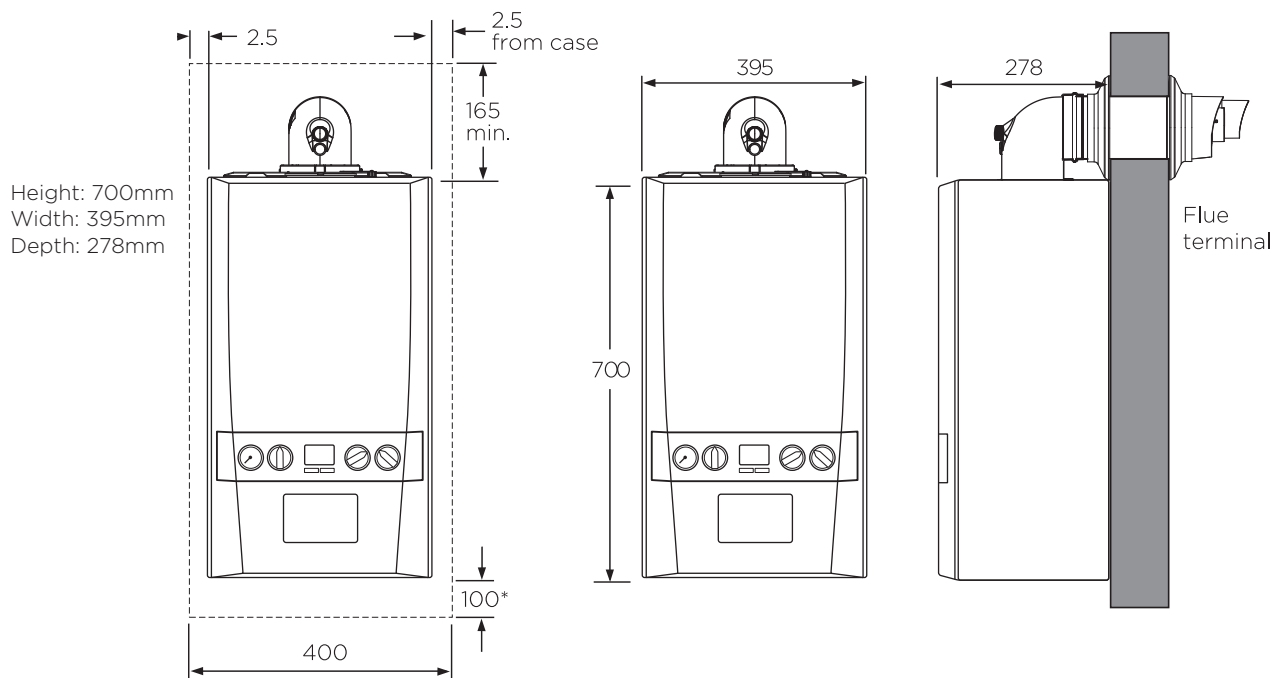
EASY TO INSTALL

- Compact cupboard fit
- Fast fix flues
- Wide range of additional flueing options
- Preformed copper tails
- Easy access to PRV and AAV
- Pre-wired mains lead (2m)
- Universal condensate connection
- Stand off kit including piping available
- Pre-piping kit
- Compatible with a range of additional controls inc. weather compensation
- LPG conversion kit available for 35 kW boilers



CLEARANCES & DIMENSIONS.

DIMENSIONS IN MM



Note: The minimum front clearance when built in to a cupboard is 5mm from the cupboard door but 450mm overall clearance with the cupboard door open is required for servicing. *Bottom clearance after installation can be reduced to 5mm. However, 100mm is required for servicing.

TECHNICAL SPECIFICATIONS.

BOILER MODEL	24	30	35
Weight (packaged) kg	33.7	33.8	33.9
Max installation weight kg	28.9	29.0	29.1
CH output (kW) min/max mean 70°C	4.8 - 24.2	6.1 - 24.2	7.1 - 24.2
CH output (kW) min/max mean 40°C	5.1 - 25.6	6.4 - 25.6	7.5 - 25.6
DHW output (kW) max	24.2	30.3	35.3
DHW flow rate l/min. 35°C rise	9.9	12.4	14.5
SEDBUK rating (2005) %	91.1	91.1	91.1
SEDBUK rating (2009/2012) %	89.6	89.6	89.6
NOx classification	CLASS 5	CLASS 5	CLASS 5
Convert to LPG	No	No	Yes
Max horizontal flue*	9m	8m	6m
Max vertical flue*	7.5m	7.5m	7.5m
Powered vertical flue†	22m	22m	22m
Condensing boiler	Yes	Yes	Yes
Seasonal space heating efficiency class	A	A	A
Rated heat output kW	24	24	24
Seasonal space heating energy efficiency η_s %	94	94	94
Sound power level, indoors L _{WA} dB	48	46	44
Water heating energy efficiency class	A	A	A

Available Flue Extensions 0.5m, 1m and 2m. Multiple flue kits available.

* Each 90° elbow used is at the expense of 1000mm of straight flue run, and each 45° elbow is used at the expense of 600mm of straight flue run.
† Typical combined primary and secondary length. See installation instructions for more details. Note: The Flue Deflector Kit is used at the expense of 1000mm of straight flue run.