

MAIN HE RANGE



MAIN

For over 75 years, Main has manufactured domestic gas appliances designed to make life more affordable and comfortable for as many people as possible.

Today, Main is part of one of Europe's largest heating appliance manufacturing groups and takes full advantage of the group's huge international resources to uphold its long and proud heritage.

Main appliances have always been designed and built to satisfy the prevailing technical standards governing quality, safety and energy efficiency. The Main HE gas central heating boilers are no exception and use tried and tested technology, materials and assembly methods to offer outstanding reliability.

Contents

Introduction	page 2
Range Overview	page 3
Main HE Range	page 4
Technical Specifications	page 5
Flues & Accessories	page 7
Contacts	page 12



THE MAIN HE RANGE



Main 9 HE

Main 12 HE

Main 15 HE

Main 18 HE

Main 24 HE

- Tried and tested Main technology • Five models to cover most output requirements
- Modulating outputs to maximise efficiency • Quick and easy to install using simple fixing bracket
- Optional flue accessories for ease of installation • Compact dimensions

The Main HE range is available in 5 outputs, from 9kW to 24kW. All the boilers feature the same unparalleled technology and design, with flue components being universal across the whole range.

All models have a cast aluminium secondary heat exchanger which is sited to the right of the primary heat exchanger to maximise performance.

Easy to use

With clean and simple lines, it's easy on the eye and simple to clean. All the models in the range have easy to use controls on the lower front panel and 3 small lights so you can confirm at a glance the boiler status.

Meet the very latest regulations

The Main HE Range has been designed to embrace new high efficiency legislation. A range of outputs are available and all models have compact dimensions and a low lift weight for ease of installation.

Reassuring back-up

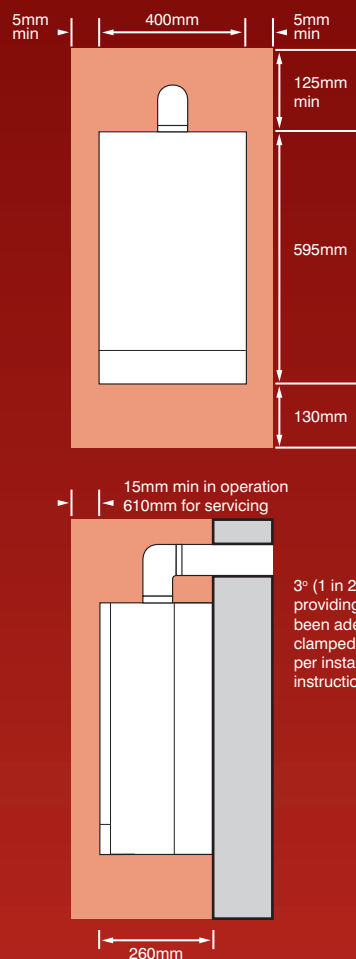
- The most efficient and competent after-sales organisation in the heating industry
- Dedicated call centre staff operate 363 days a year*
- Over 200 highly trained and fully equipped engineers
- The biggest network of spares outlets in the UK



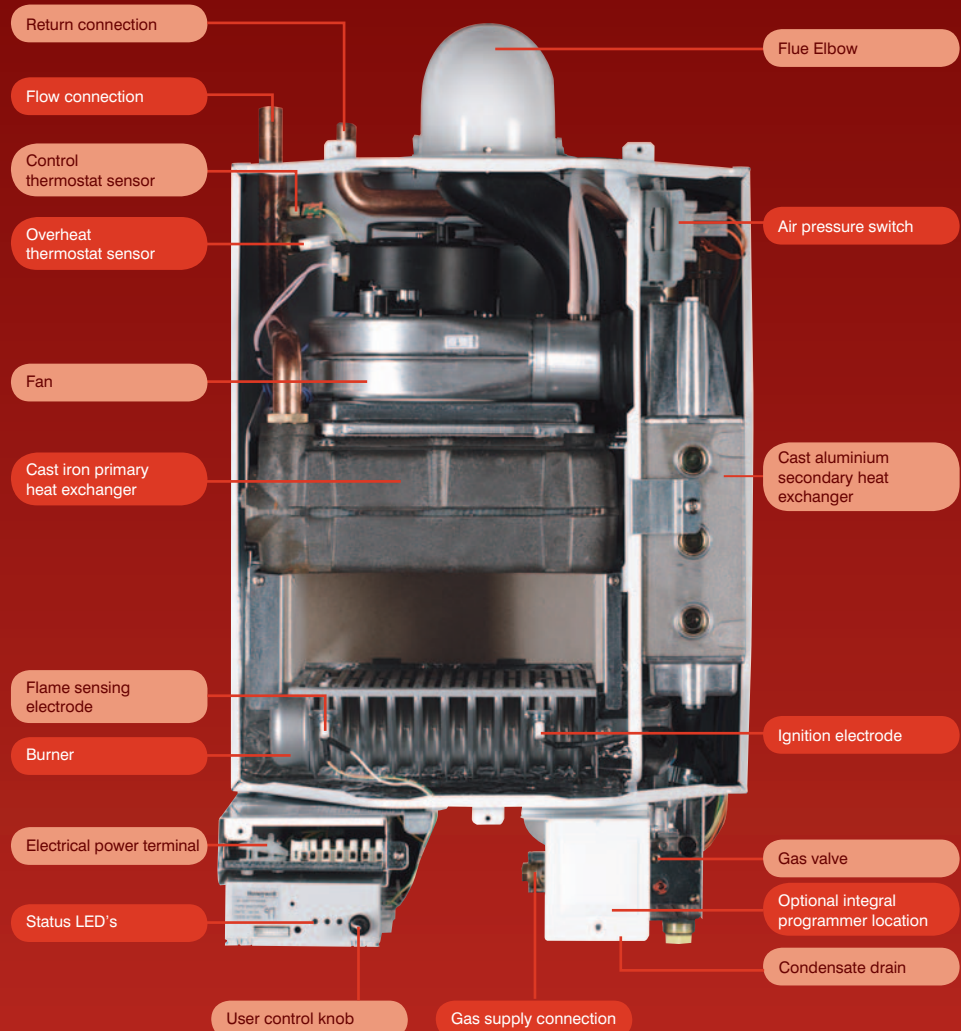
*Please note - calls to the contact centre may be recorded or monitored

MAIN HE RANGE

Dimensions and minimum clearances* mm



*Ventilation is required at these clearances



Features:

The Main HE range features a simple fascia panel incorporating operating status indicators and all controls. Central heating and domestic hot water output are ideally suited to the needs of most households. A choice of versatile flue options makes installation easy in a wide range of locations.

- Five models to suit most output requirements
- Outputs from 9kW to 24kW
- SEDBUK Band B energy rating
- One size case
- Cast iron and aluminium heat exchangers
- Minimal installation clearances
- Compact dimensions
- Low lift weight
- Simple user controls
- Horizontal and vertical flue terminals
- Push fit concentric and twin pipe flue systems
- Comprehensive range of flue accessories
- Integral frost protection

MAIN HE RANGE SPECIFICATIONS

Model	Units	Main 9 HE	Main 12 HE	Main 15 HE	Main 18 HE	Main 24 HE
Boiler only code		5116953	5116954	5116955	5116956	5116958
Controls						
User adjustable CH temperature		Yes	Yes	Yes	Yes	Yes
LED operating/fault status display		Yes	Yes	Yes	Yes	Yes
Integral 24 hour twin channel timer		Optional	Optional	Optional	Optional	Optional
Gas						
Natural gas		Yes	Yes	Yes	Yes	Yes
Inlet supply pressure (natural gas)	mbar	20	20	20	20	20
Gas rate	m ³ /hr	0.98	1.30	1.63	1.95	2.60
Heat input (gross)	kW	10.22	13.62	17.04	20.43	27.2
Heat output non-condensing	kW	8.82	11.78	14.76	17.72	23.6
Heat output condensing	kW	9.50	12.64	15.66	18.83	24.9
Seasonal efficiency band	SEDBUK	B	B	B	B	B
NO _x	Class	2	2	2	2	2
Electrical						
Electrical supply	Volts/Hz	230 / 50	230 / 50	230 / 50	230 / 50	230 / 50
Power consumption	Watts	80	80	80	80	80
External fuse rating	Amps	3	3	3	3	3
Ingress protection rating		IP20	IP20	IP20	IP20	IP20
24hr pump exercise		Yes	Yes	Yes	Yes	Yes
Mechanical & Hydraulic						
Gas supply pipe size	mm	15	15	15	15	15
Flow & return pipe size	mm	22	22	22	22	22
Condensate drain connection	mm	21.5	21.5	21.5	21.5	21.5
Plastic pipe compatible		Yes	Yes	Yes	Yes	Yes
Flue Systems						
Standard concentric flue diameter	mm	100	100	100	100	100
Standard flue maximum installed length	mm	750	750	750	750	750
Maximum equivalent length horizontal	m	3.5	3.5	3.5	3.5	3.5
Maximum equivalent length vertical	m	3.2	3.2	3.2	3.2	3.2
Optional twin pipe flue diameter	mm	80 / 80	80 / 80	80 / 80	80 / 80	80 / 80
Maximum equivalent length vertical	m	7.0	7.0	7.0	7.0	7.0
Weight						
Maximum installation lift weight	kg	39	39	39	42.8	42.8

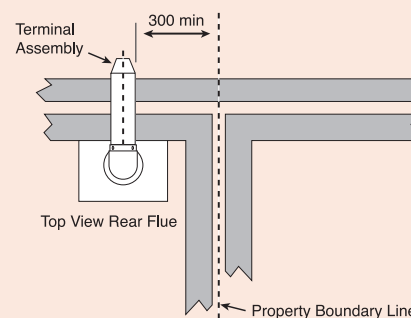
FLUE OPTIONS &

Terminal Position with Minimum Distance

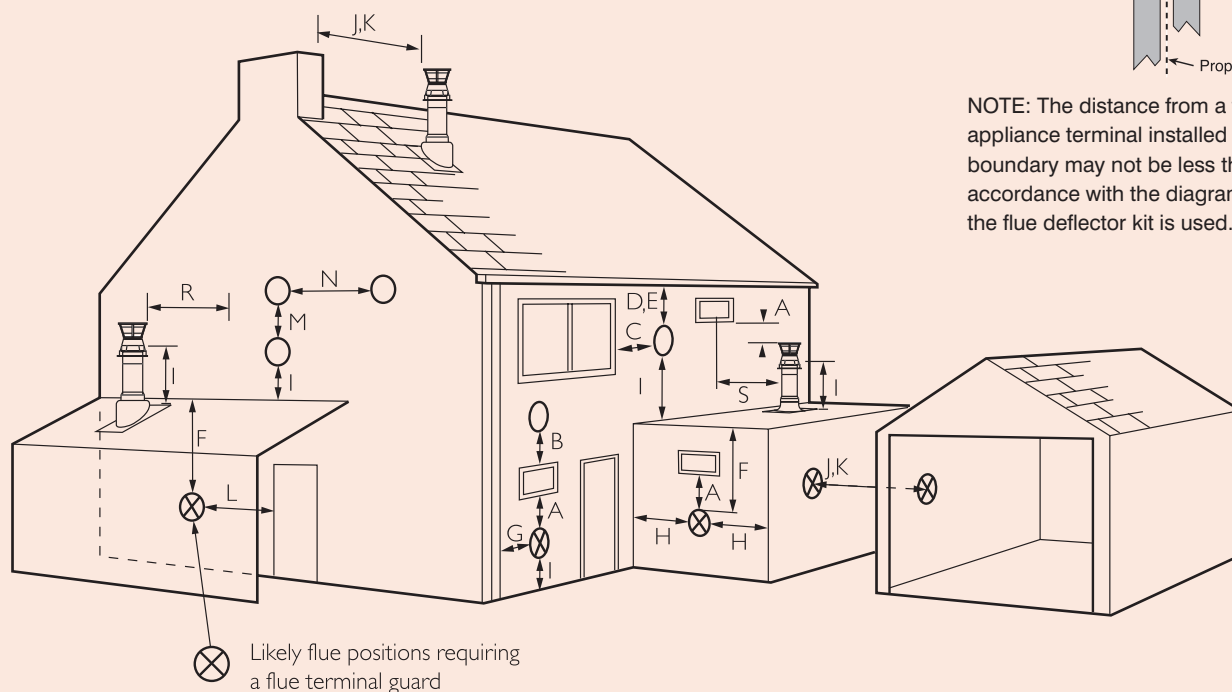
(mm)

A*	Directly below an opening, air brick, opening windows etc.	300	
B*	Above an opening, air brick, opening window etc.	300	
C*	Horizontally to an opening, air brick, opening window etc.	300	
D	Below gutters, soil pipes or drain pipes.	150	Reduced clearances This range of boilers has been tested and approved for use with certain clearances less than those shown. Horizontal flues in positions D, E, F, G & H(i) may be reduced to 25mm. H(ii) may only be reduced to 115mm. Only one of these reductions may be used on a single installation.
E	Below eaves.	200	
F	Below balconies or carport roof.	200	
G	From a vertical drain pipe or soil pipe.	150	
H	From an internal (i) or external (ii) corner.	300	
I	Above ground, roof or balcony level.	300	
J	From a surface or boundary line facing a terminal.	600	
K	From a terminal facing a terminal (horizontal flue).	1200	
	From a terminal facing a terminal (vertical flue).	600	
L	From an opening in carport (e.g. door, window) into the dwelling.	1200	
M	Vertically from a terminal on the same wall.	1500	
N	Horizontally from a terminal on the same wall.	300	
R	From adjacent wall to flue (vertical only).	300	
S	From an adjacent opening window (vertical only).	1000	

*In addition, the terminal should be no nearer than 150mm to an opening in the building fabric formed for the purpose of accommodating a built-in element such as a window frame. See BS 5440 Pt1.



NOTE: The distance from a fanned draught appliance terminal installed parallel to a boundary may not be less than 300mm in accordance with the diagram below, unless the flue deflector kit is used.



Flue options

Maximum permissible equivalent flue lengths are:

	9 HE	12 HE	15 HE	18 HE	24 HE
Concentric Horizontal	3.5m	3.5m	3.5m	3.5m	3.5m
Concentric Vertical	3.2m	3.2m	3.2m	3.2m	3.2m
Twin Pipe Vertical	7m	7m	7m	7m	7m

Any additional “in line” bends in the flue system must be taken into consideration.

Their equivalent lengths are:

Concentric Pipes	135° bend	0.5m
	93° bend	1.0m
Twin Flue Pipe	135° bend	0.25m
	90° bend	0.5m

The elbow supplied with the standard horizontal flue is not included in any equivalent length calculations.

General principles

Flue systems must be constructed using the Main accessories approved for the particular product and installed in accordance with BS5440 part 1 - flues.

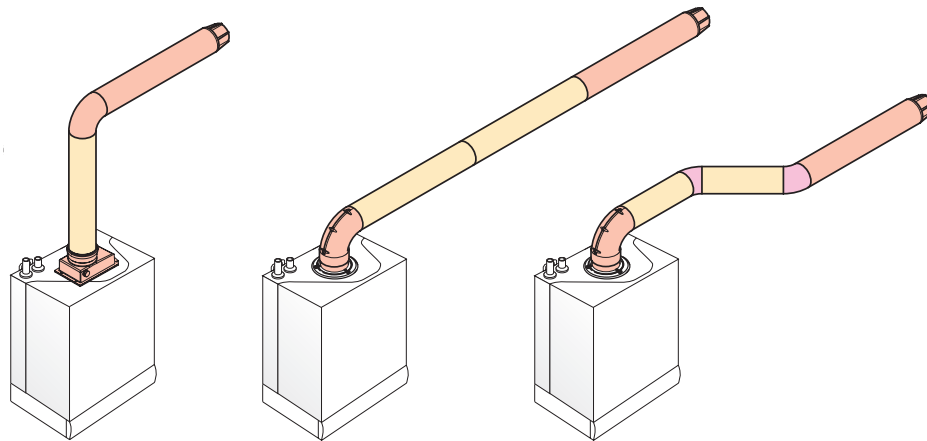
This information is provided for guidance only and is not an intended substitute for Installation Instructions, copies of which are included with the product and are also available on request.

Note: These are general illustrations only - detailing of actual components will vary from model to model. For clarity, on occasions items have been labelled once only.

Optional Accessories

Item Description (MULTIFIT)	Multifit Sales Code
Stand Off Kit	513380
Integral Electronic Timer	5111963

Horizontal Concentric Flues 60/100mm



Maximum permissible equivalent flue length = 4m. Any additional 'in line' bends in the flue system must be taken into consideration. The equivalent lengths for concentric pipes are: 135° bend – 0.5m, 93° bend – 1.0m.

Item Description (MULTIFIT) Flue System A	Specification	Key & OD Dimensions	Multifit Sales Code
Standard Horizontal Flue inc Elbow*	685mm	60/100mm	5118489
Flue Extension	1000mm	100mm**	5111074
Flue Bend	93 degree	100mm	5111075
Flue Bend (Pair)	135 degree	100mm	5111085
Flue Bend	135 degree	100mm	5111076
Pipe Support	Unpainted	100mm	241105
Pipe Support	Painted White	100mm	5111080
Flue Internal Fixing Kit / Wall Liner		100mm	5111067
Flue Terminal Deflector		60mm	5111068
Flue Vertical Adaptor (Boiler)		100mm	5111065

The 3° fall back on concentric flues can be reduced to 1.5° providing the flue system is adequately clamped in accordance with the installation instructions.

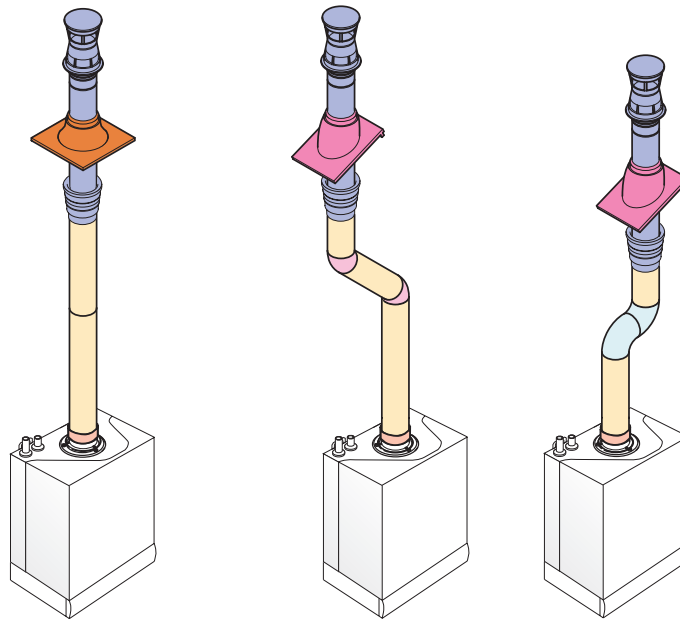
*Please note the elbow included with the flue kit does not fit to the appliance. The elbow supplied within the boiler carton must be used. The additional elbow can be used as a 93 degree flue bend (5111075).

**Please note, flue lengths must not exceed the maximum. Equivalent flue lengths for bends must be considered. Flue extension "5111074" can be cut to size to remove excess if necessary.

FLUE OPTIONS



Vertical Concentric Flues 60/100mm

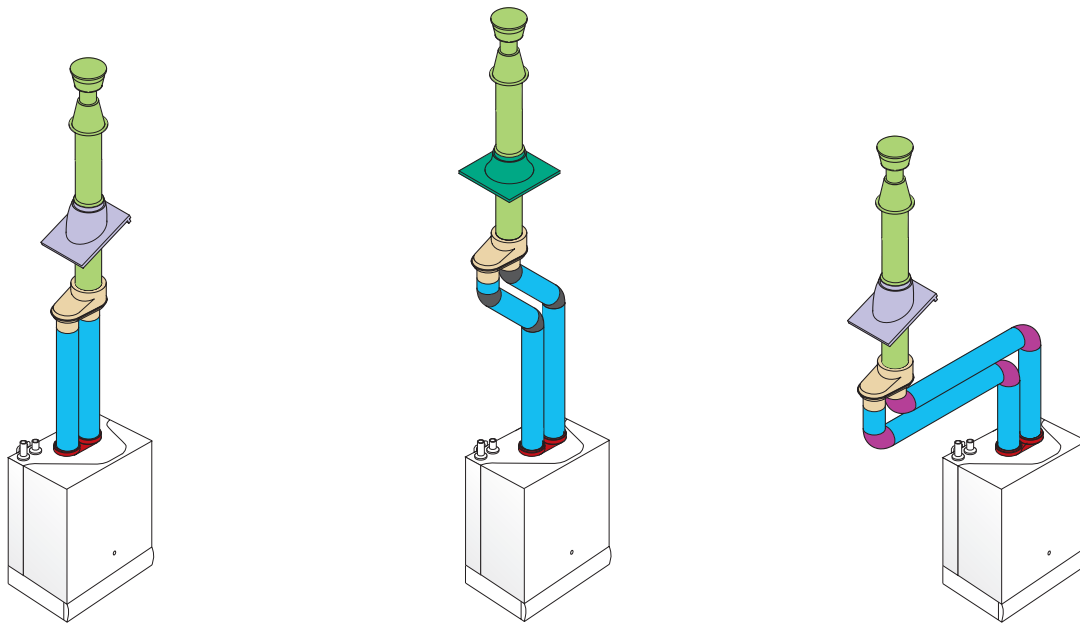


Maximum permissible equivalent flue length = 4m. Any additional 'in line' bends in the flue system must be taken into consideration. The equivalent lengths for concentric pipes are: 135° bend – 0.5m, 93° bend – 1.0m.

Item Description (MULTIFIT) Flue System A	Specification	Key & OD Dimensions	Multifit Sales Code
Vertical Flue Terminal		125mm	5111078
Roof Cover Plate		125mm	246143
Flue Bend	93 degree	100mm	5111075
Flue Bend	135 degree	100mm	5111076
Flue Bend Pair	135 degree	100mm	5111085
Flue Extension	1000mm	100mm*	5111074
Pipe Support	Unpainted	100mm	241105
Pipe Support	Painted White	100mm	5111080
Flue Vertical Adaptor (Terminal)		100/125mm	5111070
Pitched Roof Flashing	25 / 50 degree	125mm	5122151
Flat Roof Flashing		125mm	246144

*Please note, flue lengths must not exceed the maximum. Equivalent flue lengths for bends must be considered. Flue extension "5111074" can be cut to size to remove excess if necessary.

Twin Pipe Flues 80/80mm



Maximum permissible equivalent flue length = 10m. Any additional 'in line' bends in the flue system must be taken into consideration. The equivalent lengths for concentric pipes are: 135° bend – 0.25m, 90° bend – 0.0m.

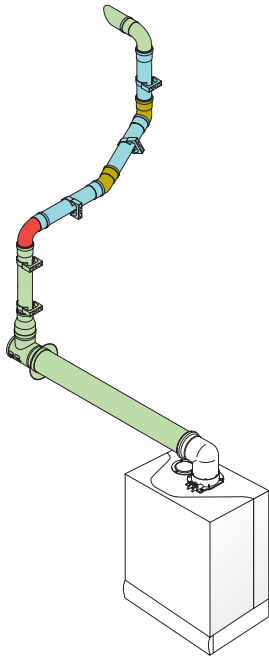
Item Description (MULTIFIT) Flue System N	Specification	Key & OD Dimensions	Multifit Sales Code
Twin Pipe Flue Adaptor (Boiler)		80/80mm	5111079
Twin to Concentric Adaptor 80/80 - 80/125		80/125mm	5111084
Twin Pipe Flue Bend (Pair)	90 degree	80mm	5111072
Twin Pipe Flue Bend (2 Pair)	135 degree	80mm	5111086
Twin Pipe Extension (Pair inc Brackets)	1000mm	80mm	5111087
Twin Pipe Support (Pair)		80mm	5111081
Vertical Flue Terminal		125mm	5111078
Roof Cover Plate		100mm	246143
Pitched Roof Flashing	25 / 50 degree	125mm	5122151
Flat Roof Flashing		125mm	246144

FLUE OPTIONS

MULTIFIT



Plume Displacement Kits 60/100mm



Item Description (MULTIFIT) Flue System K	Specification	Key & OD Dimensions	Multifit Sales Code
Plume Displacement Kit inc Elbow + clips*		100mm	5118638
Plume Displacement Kit Extension + clip	1000mm	60mm	5121368
Plume Displacement Kit Bend	93 degree	60mm	5121369
Plume Displacement Kit Bend (Pair)	135 degree	60mm	5121370

*Please note the elbow included with the flue kit does not fit to the appliance. The elbow supplied within the boiler carton must be used. The additional elbow can be used as a 93 degree flue bend (5111075).



This Brochure is printed on paper made from trees grown in a sustainable forest. It is 100% recyclable and conforms to ISO 14001 Environmental Certification. The inks used to print this document are soya based, which are 100% recyclable and significantly more environmentally friendly than traditional solvent based inks.

Contacts

All Enquiries

Tel: 0844 871 1570

Please note - calls to the contact centre may be recorded or monitored.

Main

Brooks House, Coventry Road, Warwick CV34 4LL.

Website www.mainheating.co.uk

A division of Baxi Group

MAIN



The code of practice for the installation, commissioning & servicing of central heating systems.



FMS3008
BS EN ISO 9001
QUALITY MANAGEMENT
SYSTEM STANDARD

Main policy is one of continual improvement and development. The right to change specification and appearance without prior notice is reserved. The reproduction of colours is as accurate as photographic and printing processes allow. The consumer's statutory rights are not affected. e&oe

MAIN HE/02/08/V2

MAIN