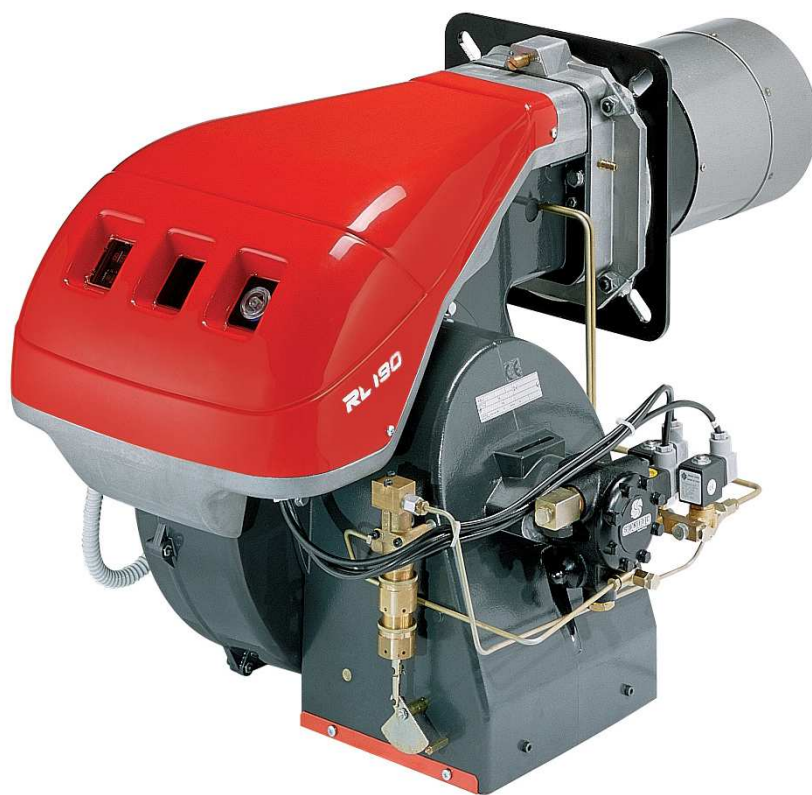


- GB** Light oil burner
- E** Quemador de gasóleo
- P** Queimador de gasóleo

Two-stage operation
Funcionamiento a dos llamas
Funcionamento a duas chamas

CE



RL

CODE - CÓDIGO

MODEL - MODELO

TYPE - TIPO

20052627

RL 190 TL

673 T1

1	Declarations	2
2	Information and general instructions	3
2.1	Information about the instruction manual	3
2.1.1	General dangers	3
2.1.2	Danger: live components	3
2.2	Guarantee and responsibility	4
3	Safety and prevention	5
3.1	Introduction	5
3.2	Personnel training	5
4	Technical description of the burner	6
4.1	Technical data	6
4.1.1	Accessories (optional)	6
4.1.2	Variants	6
4.2	Burner description	7
4.2.1	Weight - approximate measurements	7
4.2.2	Max. dimensions - approximate measurements	8
4.2.3	Standard equipment	8
4.3	Firing rate	8
4.3.1	Test boiler	8
5	Installation	9
5.1	Handling	9
5.2	Preliminary checks	9
5.3	Boiler plate	10
5.4	Blast tube length	10
5.5	Securing the burner to the boiler	10
5.6	Choice of nozzles for 1st and 2nd stage	11
5.7	Nozzle assembly	11
5.8	Combustion head setting	12
6	Electrical system	13
6.1	Electrical system (factory set)	14
6.1.1	Electrical connections	14
7	Hydraulic system	16
7.1	Fuel supply	16
7.2	Hydraulic connections	17
7.3	Pump	17
7.3.1	Pump priming	17
8	Burner calibration	18
8.1	Firing	18
8.2	Operation	18
8.2.1	Burner starting	19
8.2.2	Steady state operation	20
8.2.3	Firing failure	20
8.2.4	Undesired shutdown during operation	20
8.2.5	Final checks	20
9	Maintenance	21
9.1	Burner start-up cycle diagnostics	23
9.2	Resetting the control box and using diagnostics	23
9.3	Resetting the control box	23
9.4	Visual diagnostics	23
9.5	Software diagnostics	24

1 Declarations


Declaration of conformity in accordance with ISO / IEC 17050-1

Manufacturer: RIELLO S.p.A.
 Address: Via Pilade Riello, 7
 37045 Legnago (VR)
 Product: Light oil burners
 Model: RL 190

These products are in compliance with the following Technical Standards:
 EN 267
 EN 12100
 and according to the European Directives:

MD	2006/42/EC	Machine Directive
LVD	2006/95/EC	Low Voltage Directive
EMC	2004/108/EC	Electromagnetic Compatibility

Such products are marked as follows:

 CE-05 07 90223 001

The quality is guaranteed by a quality and management system certified in accordance with UNI EN ISO 9001.

Manufacturer's Declaration

RIELLO S.p.A. declares that the following products comply with the NOx emission limits specified by German standard "1. BImSchV release 26.01.2010".

Product	Type	Model	Power
Light oil burner	673 T1	RL 190	759 - 2443 kW

Legnago, 10.10.2013

Executive Director
 RIELLO S.p.A. - Burner Department
 Mr. G. Conticini

Research & Development Director
 RIELLO S.p.A. - Burner Department
 Mr. R. Cattaneo




2 Information and general instructions

2.1 Information about the instruction manual

Introduction

The instruction manual supplied with the burner:

- is an integral and essential part of the product and must not be separated from it; it must therefore be kept carefully for any necessary consultation and must accompany the burner even if it is transferred to another owner or user, or to another system. If the manual is lost or damaged, another copy must be requested from the Technical Assistance Service **RIELLO** of the area;
- is designed for use by qualified personnel;
- offers important indications and instructions relating to the installation safety, start-up, use and maintenance of the burner.

Symbols used in the manual

In some parts of the manual you will see triangular DANGER signs. Pay great attention to these, as they indicate a situation of potential danger.

2.1.1 General dangers

The **dangers** can be of **3 levels**, as indicated below.



DANGER

Maximum danger level!

This symbol indicates operations which, if not carried out correctly, **cause** serious injury, death or long-term health risks.



WARNING

This symbol indicates operations which, if not carried out correctly, **may cause** serious injury, death or long-term health risks.



CAUTION

This symbol indicates operations which, if not carried out correctly, **may cause** damage to the machine and/or injury to people.

2.1.2 Danger: live components



DANGER

This symbol indicates operations which, if not carried out correctly, lead to electric shocks with lethal consequences.

Other symbols



ENVIRONMENTAL PROTECTION

This symbol gives indications for the use of the machine with respect for the environment.

- This symbol indicates a list.

Abbreviations used

Ch.	Chapter
Fig.	Figure
Pag.	Page
Sec.	Section
Tab.	Table

Delivery of the system and the instruction manual

When the system is delivered, it is important that:

- The instruction manual is supplied to the user by the system manufacturer, with the recommendation to keep it in the room where the heat generator is to be installed.
- The instruction manual shows:
 - the serial number of the burner;
 - the address and telephone number of the nearest Assistance Centre;
- The system supplier carefully informs the user about:
 - the use of the system,
 - any further tests that may be necessary before the system is started up,
 - maintenance and the need to have the system checked at least once a year by the manufacturer or another specialised technician.

To ensure a periodic check, **RIELLO** recommends the drawing up of a Maintenance Contract.

2.2 Guarantee and responsibility

RIELLO guarantees its new products from the installation date, in accordance with the regulations in force and/or the sales contract. At the moment of the first start-up, check that the burner is integral and complete.



WARNING

Failure to observe the information given in this manual, operating negligence, incorrect installation and the carrying out of non authorised modifications will result in the annulment by **RIELLO** of the guarantee that it supplies with the burner.

In particular, the rights to the guarantee and the responsibility will no longer be valid, in the event of damage to things or injury to people, if such damage/injury was due to any of the following causes:

- incorrect installation, start-up, use and maintenance of the burner;
- improper, incorrect or unreasonable use of the burner;
- intervention of unqualified personnel;
- carrying out of non authorised modifications on the equipment;
- use of the burner with safety devices that are faulty, incorrectly applied and/or not working;
- installation of untested supplementary components on the burner;
- powering of the burner with unsuitable fuels;
- faults in the fuel power supply system;
- use of the burner even following an error and/or an irregularity;
- repairs and/or overhauls incorrectly carried out;
- modification of the combustion chamber with inserts that prevent the regular development of the flame, as structurally established;
- insufficient and inappropriate surveillance and care of those burner components most subject to wear and tear;
- use of non-original **RIELLO** components, including spare parts, kits, accessories and optionals;
- force majeure.

RIELLO furthermore declines any and every responsibility for the failure to observe the contents of this manual.

3 Safety and prevention

3.1 Introduction

The **RIELLO** burners have been designed and built in compliance with current regulations and directives, applying the known technical rules of safety and envisaging all the potential danger situations.

It is necessary, however, to bear in mind that the imprudent and clumsy use of the equipment may lead to situations of death risk for the user or third parties, as well as the damaging of the burner or other items. Inattention, thoughtlessness and excessive confidence often cause accidents; the same applies to tiredness and sleepiness.

It is a good idea to remember the following:

- The burner must only be used as expressly described. Any other use should be considered improper and therefore dangerous.
In particular:
it can be applied to boilers operating with water, steam, diathermic oil, and to other users expressly named by the manufacturer;
the type and pressure of the fuel, the voltage and frequency of the electrical power supply, the minimum and maximum deliveries for which the burner has been regulated, the pressurisation of the combustion chamber, the dimensions of the combustion chamber and the room temperature must all be within the values indicated in the instruction manual.
- Modification of the burner to alter its performance and destinations is not allowed.
- The burner must be used in exemplary technical safety conditions. Any disturbances that could compromise safety must be quickly eliminated.
- Opening or tampering with the burner components is not allowed, apart from the parts requiring maintenance.
- Only those parts envisaged by the manufacturer can be replaced.

3.2 Personnel training

The user is the person, body or company that has acquired the machine and intends to use it for the specific purpose. He is responsible for the machine and for the training of the people working around it.

The user:

- undertakes to entrust the machine exclusively to suitably trained and qualified personnel;
- must take all the measures necessary to prevent unauthorised people gaining access to the machine;
- undertakes to inform his personnel in a suitable way about the application and observance of the safety instructions. With that aim, he undertakes to ensure that everyone knows the use and safety instructions for his own duties;
- must inform the manufacturer if faults or malfunctioning of the accident prevention systems are noticed, along with any presumed danger situation.
- Personnel must always use the personal protective equipment envisaged by legislation and follow the indications given in this manual.
- Personnel must follow all the danger and caution indications shown on the machine.
- Personnel must not carry out, on their own initiative, operations or interventions that are not within their province.
- Personnel are obliged to inform their superiors of every problem or dangerous situation that may arise.
- The assembly of parts of other makes, or any modifications, can alter the characteristics of the machine and hence compromise operating safety. The manufacturer therefore declines any and all responsibility for any damage that may be caused by the use of non-original parts.

4 Technical description of the burner

4.1 Technical data

MODEL		RL 190	
OUTPUT ⁽¹⁾ DELIVERY ⁽¹⁾	2nd stage	kW	1423 - 2443
		Mcal/h	1224 - 2100
		kg/h	120 - 206
	1st stage	kW	759 - 1423
		Mcal/h	653 - 1224
		kg/h	64 - 120
FUEL		LIGHT OIL	
- Net calorific value		kWh/kg	11,8
		Mcal/kg	10,2 (10.200 kcal/kg)
- Density		kg/dm ³	0,82 - 0,85
- Viscosity at 20 °C		mm ² /s max	6 (1,5 °E - 6 cSt)
OPERATION		Intermittent (min. 1 stop in 24 hours). Two-stage (high and low flame) and single-stage (all - nothing).	
NOZZLES		number	2
STANDARD APPLICATIONS		Boilers: water, steam, diathermic oil	
AMBIENT TEMPERATURE		°C	0 - 40
COMBUSTION AIR TEMPERATURE		°C max	60
POWER SUPPLY		V	400 with neutral ~ +/- 10%
		Hz	50 - three-phase
ELECTRICAL MOTOR		rpm	2800
		W	4500
		V	400
Operating current		A	9,1
Acceleration current		A	72,8
IGNITION TRASFORMER		V1 - V2	230 V - 2 x 5 kV
		I1 - I2	1,9 A - 35 mA
PUMP J7C	delivery (at 12 bar)	kg/h	230
	pressure range	bar	10 - 21
	fuel temperature	°C max	90
ELECTRICAL POWER CONSUMPTION		W max	5870
ELECTRICAL PROTECTION		IP 44	
NOISE LEVELS ⁽²⁾	Sound pressure	dB(A)	83.9
	Sound power		94.9

(1) Reference conditions: Ambient temperature 20 °C - Barometric pressure 1000 mbar - Altitude 100 m a.s.l.

(2) Sound pressure measured in manufacturer's combustion laboratory, with burner operating on test boiler and at maximum rated output. The sound power is evaluated, in line with the regulations, on a spherical surface centred on the burner and with a radius of 1 metre.

4.1.1 Accessories (optional):

• RADIO DISTURBANCE PROTECTION KIT

If the burner is installed in places particularly subject to radio disturbance (emission of signals exceeding 10 V/m) owing to the presence of an INVERTER, or in applications where the length of the thermostat connections exceeds 20 metres, a protection kit is available as an interface between the control box and the burner.

4.1.2 Variants

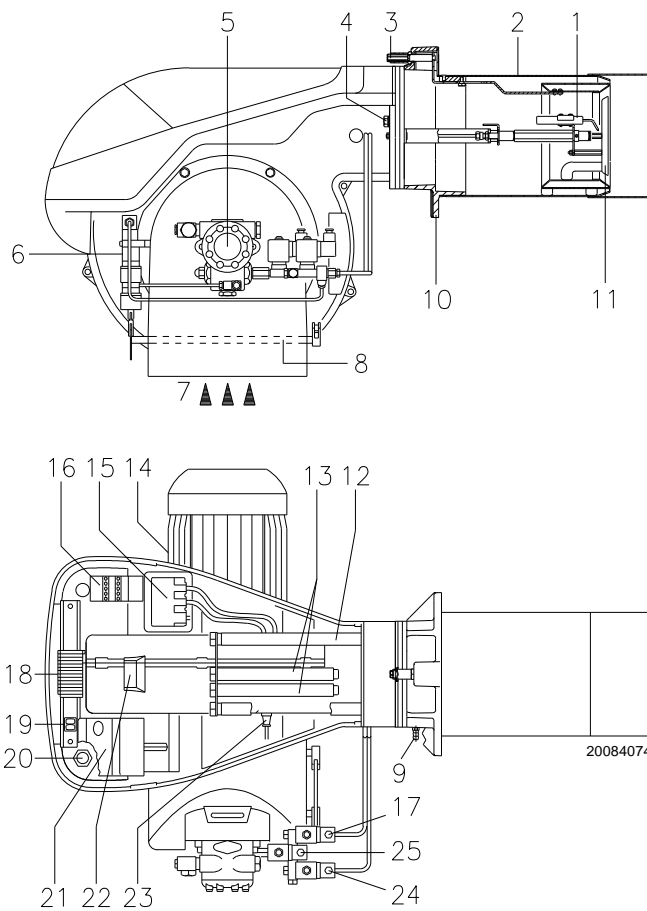
Model	Code	Power supply electrical
RL 190	20052627	400 V

BURNER

RL 190

Code	3010386
------	---------

4.2 Burner description



- 1 Ignition electrodes
- 2 Combustion head
- 3 Screw for combustion head adjustment
- 4 Screw for fixing fan to flange
- 5 Pump
- 6 Hydraulic cylinder for regulation of the air gate valve in 1st and 2nd stage positions. When the burner is not operating the air gate valve is fully closed in order to reduce heat dispersion from the boiler due to the flue draught which draws air from the fan suction inlet.
- 7 Air inlet to fan
- 8 Air gate valves
- 9 Fan pressure test point
- 10 Boiler mounting flange
- 11 Flame stability disk
- 12 Slide bars for opening the burner and inspecting the combustion head
- 13 Extensions for slide bars 12)
- 14 Electrical motor
- 15 Ignition transformer
- 16 Motor contactor and thermal cut-out with reset button
- 17 1st stage valve
- 18 Terminal strip
- 19 Two switches:
- one "burner off - on"
- one for "1st - 2nd stage operation"
- 20 Fairleads for wiring carried out by the installer
- 21 Control box with lock-out pilot light and lock-out reset button
- 22 Flame inspection window
- 23 Photoresistor for flame presence control
- 24 2nd stage valve
- 25 Safety solenoid valve

Two types of burner failure may occur:

- Control box lock-out:** if the control box 22)(Fig. 1) pushbutton (red led) lights up, it indicates that the burner is in lock-out. To reset, hold the pushbutton down for between 1 and 3 seconds.
- Motor trip:** release by pressing the pushbutton on thermal cut-out 17)(Fig. 1).

Fig. 1

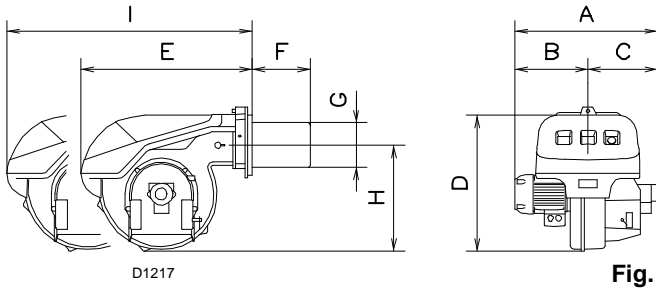
RL 190	kg
	77

Tab. A

4.2.1 Weight - approximate measurements

- The weight of the burner complete with its packaging is shown in table (Tab. A)

4.2.2 Max. dimensions - approximate measurements



The maximum dimensions of the burner are given in (Fig. 2).

Bear in mind that inspection of the combustion head requires the burner to be opened and the rear part drawn back on the guides. The dimensions of the open burner are indicated by position I.

mm	A	B	C	D	E	F	G	H	I
RL 190	756	366	390	555	712	522	222	430	1285

4.2.3 Standard equipment

- 2 - Flexible hoses (L = 1350 mm)
- 2 - Gaskets for flexible hoses
- 2 - Nipples for flexible hoses
- 1 - Thermal insulation screen

- 2 - Extensions 13)(Fig. 1) for slide bars 12)(Fig. 1)
- 4 - Screws to secure the burner flange to the boiler: M 16 x 40
- 1 - Instruction booklet
- 1 - Spare parts list

4.3 Firing rate

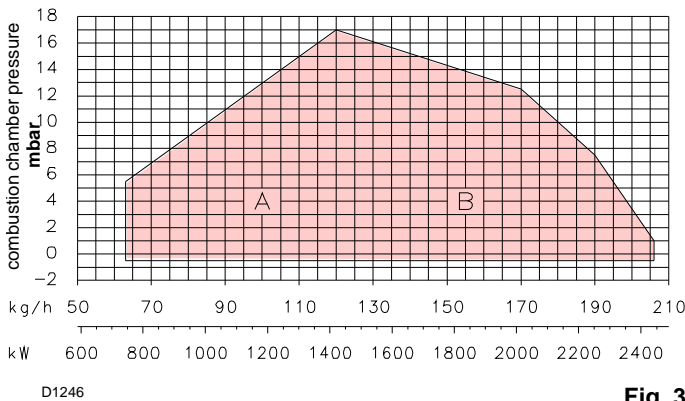


Fig. 3

The RL 190 Model burners can work in two ways: one-stage and two-stage.

1st stage DELIVERY must be selected within area A of the adjacent diagrams.

2nd stage DELIVERY must be selected within area B. This area provides the maximum delivery of the burner in relation to the pressure in the combustion chamber.



The FIRING RATE area values have been obtained considering a surrounding temperature of 20 °C, and an atmospheric pressure of 1000 mbar (approx. 100 m above sea level) and with the combustion head adjusted as shown on pag. 12.

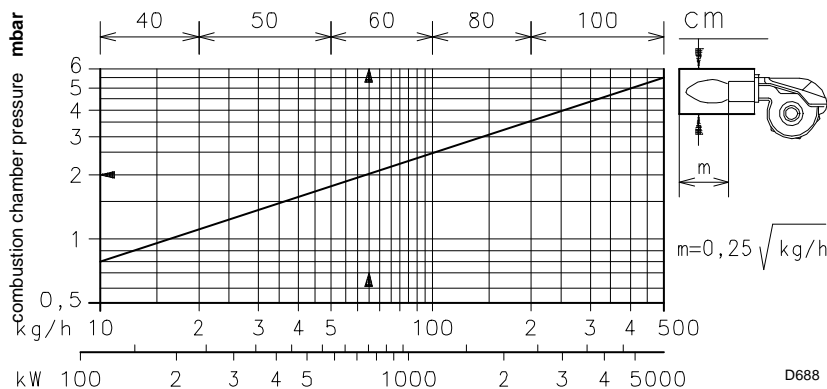
4.3.1 Test boiler

The firing rates were set in relation to special test boilers in accordance with the methods defined in EN 267 standards.

Fig. 4 indicates the diameter and length of the test combustion chamber.

Example:
 delivery 65 kg/hour:
 diameter = 60 cm; length = 2 m.

Whenever the burner is operated in a much smaller commercially-available combustion chamber, a preliminary test should be performed.



D688

Fig. 4

5 Installation

Notes on safety for the installation

After carefully cleaning all around the area where the burner will be installed, and arranging the correct lighting of the environment, proceed with the installation operations.



All the installation, maintenance and disassembly operations must be carried out with the electricity supply disconnected.



The installation of the burner must be carried out by qualified personnel, as indicated in this manual and in compliance with the standards and regulations of the laws in force.

5.1 Handling

The packaging of the burner includes a wooden platform, so it is possible to move the burner (still packaged) with a transpallet truck or fork lift truck.



The handling operations for the burner can be highly dangerous if not carried out with the greatest attention: keep any unauthorised people at a distance; check the integrity and suitability of the available means of handling. Check also that the area in which you are working is empty and that there is an adequate escape area (i.e. a free, safe area to which you can quickly move if the burner should fall). During the handling, keep the load at not more than 20-25 cm from the ground.



After positioning the burner near the installation point, correctly dispose of all residual packaging, separating the various types of material. Before proceeding with the installation operations, carefully clean all around the area where the burner will be installed.

5.2 Preliminary checks

Checking the consignment



After removing all the packaging, check the integrity of the contents. In the event of doubt, do not use the burner; contact the supplier.



The packaging elements (wooden cage or cardboard box, nails, clips, plastic bags, etc.) must not be abandoned as they are potential sources of danger and pollution; they should be collected and disposed of in the appropriate places.

Checking the characteristics of the burner

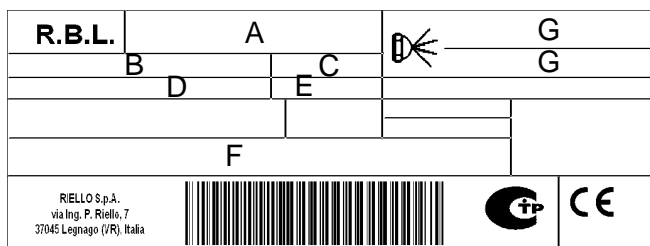


Fig. 5



The output of the burner must be within the boiler's firing rate;



A burner label that has been tampered with, removed or is missing, along with anything else that prevents the definite identification of the burner makes any installation or maintenance work difficult.

Check the identification label of the burner, showing:

- the model (see **A** in Fig. 5) and type of burner (**B**);
- the year of manufacture, in cryptographic form (**C**);
- the serial number (**D**);
- the electrical input power (**E**);
- the types of fuel used and the relative supply pressures (**F**);
- the data of the burner's minimum and maximum output possibilities (**G**) (see Firing rate)

5.3 Boiler plate

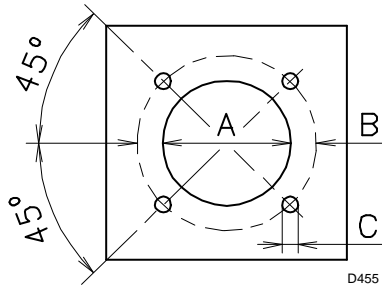


Fig. 6

Drill the combustion chamber locking plate as shown in (Fig. 6). The position of the threaded holes can be marked using the thermal screen supplied with the burner.

mm	A	B	C
RL 190	230	325-368	M 16

5.4 Blast tube length

The length of the blast tube must be selected according to the indications provided by the manufacturer of the boiler, and in any case it must be greater than the thickness of the boiler door complete with its refractory. The length available, L (mm), is 370 mm. For boilers with front flue passes 12) or flame inversion chambers, protective fettling in refractory material 10) must be inserted between the boiler's fettling 11) and the blast tube 9).

This protection must not compromise the extraction of the blast tube.

For boilers having a water-cooled front the refractory fettling 10)-11) (Fig. 7) is not required unless it is expressly requested by the boiler manufacturer.

5.5 Securing the burner to the boiler

Disassemble the blast tube 9) from the burner 6) by proceeding as follows:

- Loosen the four screws 3) and remove the cover 1).
- Remove the screws 2) from the two slide bars 5).
- Remove the two screws 4) fixing the burner 6) to the flange 7).

- Withdraw the blast tube 9) complete with flange 7) and slide bars 5).

Secure flange 7) (Fig. 7) to the boiler plate interposing the supplied gasket 8) (Fig. 7). Use the 4 screws provided after having protected the thread with anticruffing products.

The burner-boiler seal must be airtight.

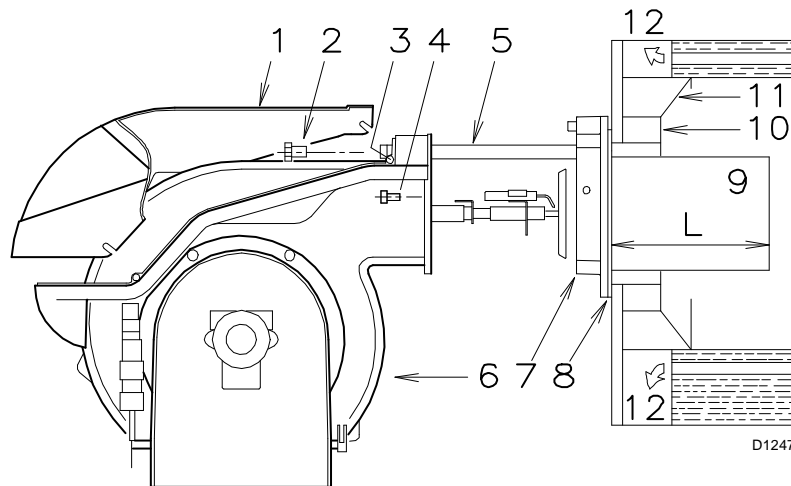


Fig. 7

5.6 Choice of nozzles for 1st and 2nd stage

Both nozzles must be chosen from among those listed in table (Tab. B).

The first nozzle determines the delivery of the burner in the 1st stage.

The second nozzle works together with the 1st nozzle to determine the delivery of the burner in the 2nd stage.

The deliveries of the 1st and 2nd stages must be contained within the value range indicated on pag. 6.

Use nozzles with a 60° spray angle at the recommended pressure of 12 bar.

As a rule the two nozzles have equal deliveries but the 1st stage nozzle may have a delivery less than 50% of the total delivery when a reduction of the counter-pressure peak is desired at the moment of starting (the burner allows good combustion rates also with a 40 - 100 % ratio between the 1st and 2nd stage).

Example

Boiler output = 1630 kW - efficiency 90 %

Output required by the burner =

$$1630 : 0,9 = 1812 \text{ kW};$$

$$1812 : 2 = 906 \text{ kW per nozzle};$$

therefore, two equal, 60°, 12 bar nozzles are required:

$$1^\circ = 18 \text{ GPH} - 2^\circ = 18 \text{ GPH},$$

or the following two different nozzles:

$$1^\circ = 16 \text{ GPH} - 2^\circ = 20 \text{ GPH}.$$

GPH	kg/h (1)			kW 12 bar
	10 bar	12 bar	14 bar	
5.00	19.2	21.2	23.1	251.4
5.50	21.1	23.3	25.4	276.3
6.00	23.1	25.5	27.7	302.4
6.50	25.0	27.6	30.0	327.3
7.00	26.9	29.7	32.3	352.3
7.50	28.8	31.8	34.6	377.2
8.00	30.8	33.9	36.9	402.1
8.30	31.9	35.2	38.3	417.5
8.50	32.7	36.1	39.2	428.2
9.00	34.6	38.2	41.5	453.1
9.50	36.5	40.3	43.8	478.0
10.0	38.4	42.4	46.1	502.9
10.5	40.4	44.6	48.4	529.0
11.0	42.3	46.7	50.7	553.9
12.0	46.1	50.9	55.3	603.7
12.3	47.3	52.2	56.7	619.1
13.0	50.0	55.1	59.9	653.5
13.8	53.1	58.5	63.3	693.8
14.0	53.8	59.4	64.5	704.5
15.0	57.7	63.6	69.2	754.3
15.3	58.8	64.9	70.5	769.7
16.0	61.5	67.9	73.8	805.3
17.0	65.4	72.1	78.4	855.1
17.5	67.3	74.2	80.7	880.0
18.0	69.2	76.4	83.0	906.1
19.0	73.0	80.6	87.6	956.0
19.5	75	82.7	89.9	980.9
20.0	76.9	84.8	92.2	1005.8
21.5	82.7	91.2	99.1	1081.7
22.0	84.6	93.3	101.4	1106.6

Tab. B

(1) light oil: density 0.84 kg/dm³ - viscosity 4.2 cSt/20 °C - temperature 10 °C

5.7 Nozzle assembly

At this stage of installation the burner is still disassembled from the blast tube; it is therefore possible to fit the nozzle with the box spanner 1) (Fig. 8) (16 mm), after having removed the plastic plugs 2) (Fig. 8), fitting the spanner through the central hole in the flame stability disk. Do not use any sealing products such as gaskets, sealing compound, or tape. Be careful to avoid damaging the nozzle sealing seat. The nozzles must be screwed into place tightly but not to the maximum torque value provided by the wrench.

The nozzle for the 1st stage of operation is the one lying beneath the firing electrodes (Fig. 9)

Make sure that the electrodes are positioned as shown in (Fig. 9)

Finally refit the burner 3) (Fig. 10) to the slide bars 2) and slide it up to the flange 5), **keeping it slightly raised to prevent the flame stability disk from pressing against the blast tube.**

Tighten the screws 1) on the slide bars 2) and screws 4) fixing the burner to the flange.

If it proves necessary to change a nozzle with the burner already fitted to the boiler, proceed as outlined below:

- Retract the burner on its slide bars as shown in (Fig. 7 pag. 10).
- Remove the nuts 1) (Fig. 11) and the disk 2).
- Use spanner 3) (Fig. 11) to change the nozzles.

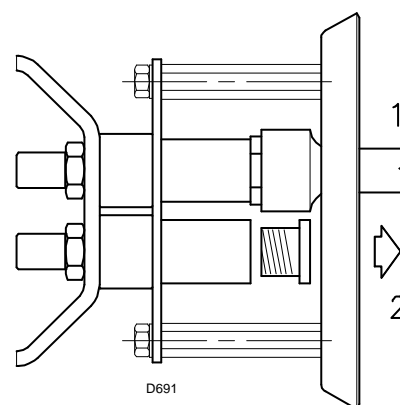


Fig. 8

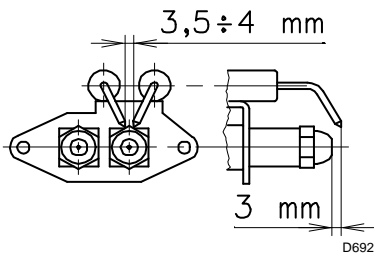


Fig. 9

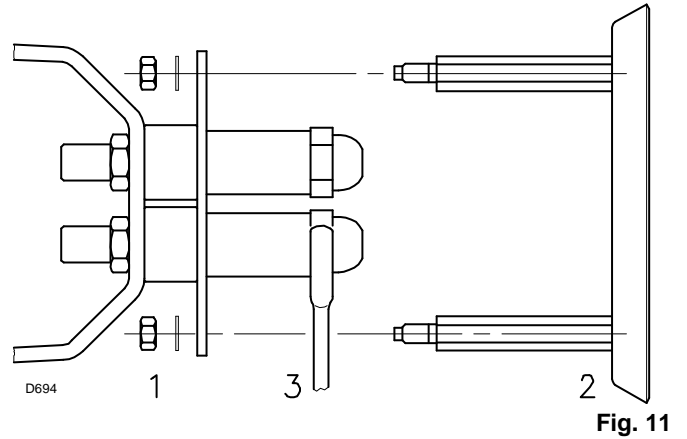


Fig. 11

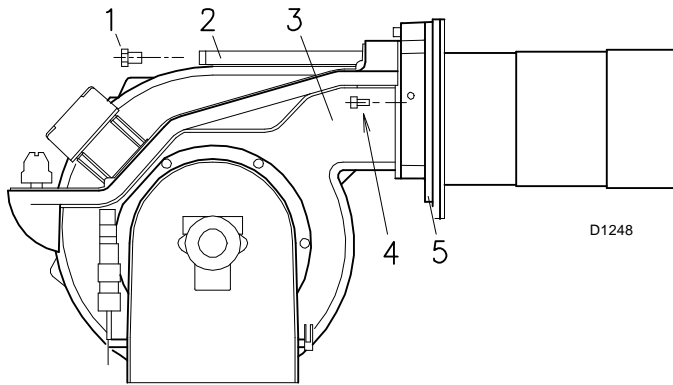


Fig. 10

5.8 Combustion head setting

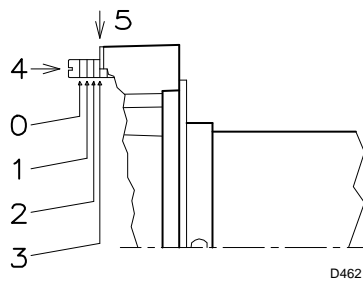


Fig. 12

The setting of the combustion head depends exclusively on the burner delivery in the 2nd stage - in other words, the combined delivery of the two nozzles selected in table (Tab. A).

Turn screw 4) (Fig. 12) until the notch shown in diagram (Fig. 13) is level with the front surface of flange 5) (Fig. 10, pag. 12).

Example:

The RL 190 Model with two 18 GPH nozzles and 12 bar pump pressure.

Find the delivery of the two 18 GPH nozzles in (Tab. A, pag. 7):
 $76.4 + 76.4 = 152,8 \text{ kg/h}$.

Diagram (Fig. 13) indicates that for a delivery of 152,8 kg/h the RL 190 Model requires the combustion head to be set to approx. three notches, as shown in (Fig. 12).



Fig. 13

6 Electrical system**Notes on safety for the electrical wiring****DANGER**

- The electrical wiring must be carried out with the electrical supply disconnected.
- Electrical wiring must be carried out by qualified personnel and in compliance with the regulations currently in force in the country of destination. Refer to the wiring diagrams.
- **RIELLO** declines all responsibility for modifications or connections different from those shown in the electrical layouts.
- Do not invert the neutral with the phase in the electrical supply line. Any inversion would cause a lockout due to firing failure.
- The RL 190 burners have been type-approved for intermittent operation. This means they should compulsorily be stopped at least once every 24 hours to enable the control box to perform checks of its own start-up efficiency. Normally the boiler's thermostat/pressure switch ensures the stopping of the burner. If this is not the case, it is necessary to apply in series with IN a timer switch that turns off the burner at least once every twenty-four hours. Refer to the wiring diagrams.
- The electrical safety of the device is obtained only when it is correctly connected to an efficient earthing system, made according to current standards. It is necessary to check this fundamental safety requirement. In the event of doubt, have the electrical system checked by qualified personnel.
- The electrical system must be suitable for the maximum input power of the device, as indicated on the label and in the manual, checking in particular that the section of the cables is suitable for the input power of the device.
- For the main power supply of the device from the electricity mains:
 - do not use adapters, multiple sockets or extensions;
 - use an omnipolar switch with an opening of at least 3 mm (overvoltage category) between the contacts, as indicated by the current safety standards.
- Do not touch the device with wet or damp body parts and/or in bare feet.
- Do not pull the electric cables.

6.1 Electrical system (factory set)

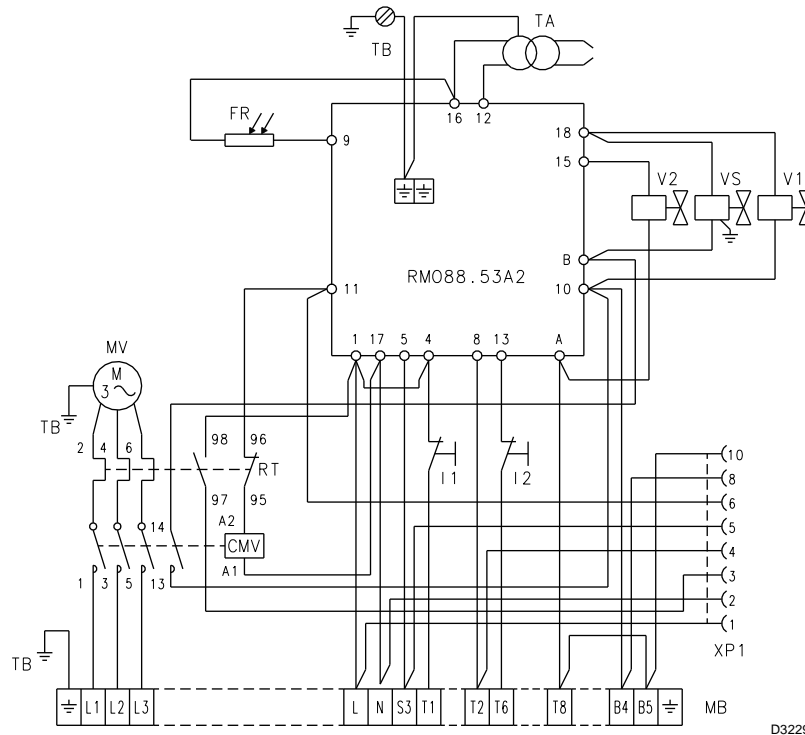


Fig. 14

Key to wiring diagram (Fig. 14)

- CMV - Motor contactor
- FR - Photoresistor
- I1 - Switch: burner off - on
- I2 - Switch: 1st - 2nd stage operation
- MB - Terminal strip
- MV - Fan motor
- RMO88.53A2 - Control box
- RT - Thermal cut-out
- TA - Ignition transformer
- TB - Burner ground (earth) connection
- V1 - 1st stage solenoid valve
- V2 - 2nd stage solenoid valve
- VS - Safety solenoid valve
- XP1 - Connector

NOTE:

For remote-reset, connect a push-button switch (NO) between terminal 3 and neutral of the control box (terminals 15, 16, 17 and 18).

6.1.1 Electrical connections

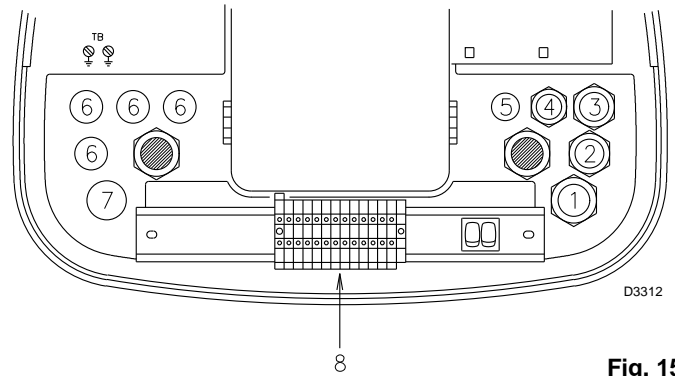


Fig. 15

Set up by the installer

Use flexible cables according to regulation EN 60 335-1:

- if in PVC boot, use at least H05 VV-F
- if in rubber boot, use at least H05 RR-F.

All the cables to be connected to the burner terminal strip 8)(Fig. 15) must be routed through the fairleads.

The fairleads and precut holes can be used in various ways. One example is given below:

- 1 Pg 13,5 Three-phase power supply
- 2 Pg 11 Single-phase power supply
- 3 Pg 11 Control device TL
- 4 Pg 9 Control device TR
- 5 Pg 9 Set up for fair lead
- 6 Pg 11 Set up for fair lead
- 7 Pg 13,5 Set up for fair lead

RL 190 Models electrical connection three-phase 230/400 V power supply with neutral phase wire.

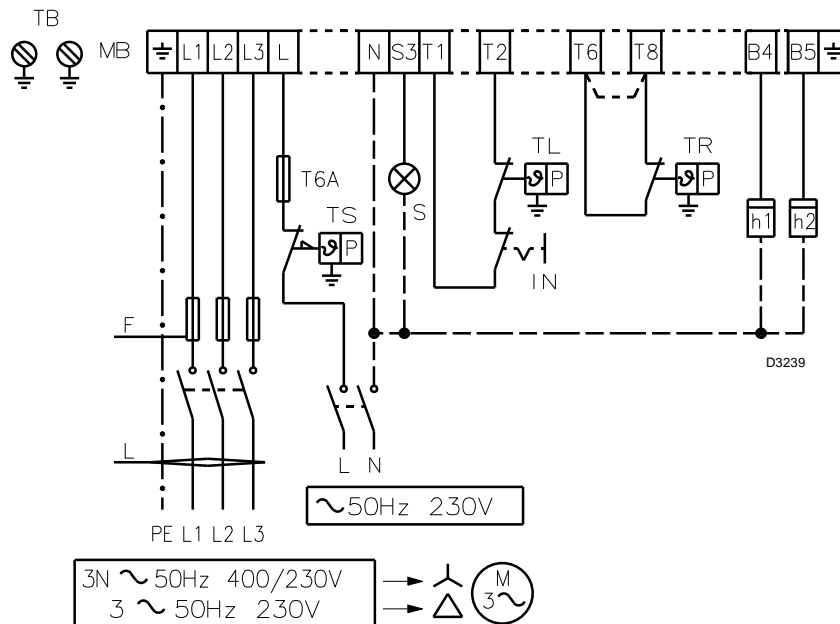


Fig. 16

		RL 190	
		230 V	400 V
F	A	T25	T25
L	mm ²	2.5	2.5

Model	Thermal relay adjustment
RL 190 - 230 V	16 A
RL 190 - 400 V	9,5 A

Fuses and cables section layout, see table (Fig. 16).

Cable section not indicated: 1.5 mm².

Key to wiring diagram (Fig. 16)

- H1 - 1st stage hourcounter
- H2 - 2nd stage hourcounter
- IN - Manual burner stop switch
- MB - Terminal strip
- S - Remote lock-out signal
- TB - Burner ground (earth) connection
- TL - Limit control device system: this shuts down the burner when the boiler temperature or pressure exceeds the set-point value.
- TR - High-low mode control device system: this controls operating stages 1 and 2 and is necessary only for two-stage operation.
- TS - Safety control device system: this operates when TL is faulty.



The burner is factory set for two-stage operation and the TR remote control device that commands light oil valve V2 must therefore be connected.

Alternatively, if single stage operation is required, instead of control device TR install a jumper lead between terminal 5 and 6 of the terminal strip.

NOTE:
The RL 190 burner has been type- approved for intermittent operation. This means they should compulsorily be stopped at least once every 24 hours to enable the control box to perform checks of its own efficiency at start-up. Burner halts are normally provided for automatically by the boiler load control system.

If this is not the case, it is necessary to apply in series with IN a timer switch that turns off the burner at least once every twenty-four hours.



Do not invert the neutral with the phase in the electrical supply line.

7 Hydraulic system

7.1 Fuel supply

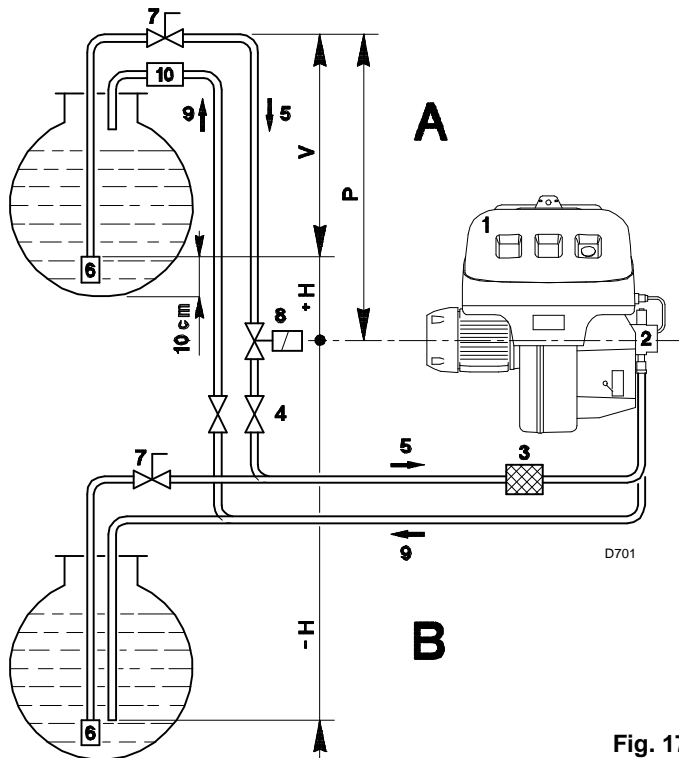


Fig. 17

Double-pipe circuit (Fig. 17)

The burner is equipped with a self-priming pump which is capable of feeding itself within the limits listed in the table at the side.

The tank higher than the burner A

The distance "P" must not exceed 10 meters in order to avoid subjecting the pump's seal to excessive strain; the distance "V" must not exceed 4 meters in order to permit pump self-priming even when the tank is almost completely empty.

The tank lower than the burner B

Pump depression of 0.45 bar (35 cm Hg) must not be exceeded because at higher levels gas is released from the fuel, the pump starts making noise and its working life-span decreases.

It is good practice to ensure that the return and suction lines enter the burner from the same height; in this way it will be less probable that the suction line fails to prime or stops priming.

The loop circuit

A loop circuit consists of a loop of piping departing from and returning to the tank with an auxiliary pump that circulates the fuel under pressure. A branch connection from the loop goes to feed the burner. This circuit is extremely useful whenever the burner pump does not succeed in self-priming because the tank distance and/or height difference are higher than the values listed in the table.

+ H - H (m)	L (m)		
	Ø (mm)		
	12	14	16
+ 4.0	71	138	150
+ 3.0	62	122	150
+ 2.0	53	106	150
+ 1.0	44	90	150
+ 0.5	40	82	150
0	36	74	137
- 0.5	32	66	123
- 1.0	28	58	109
- 2.0	19	42	81
- 3.0	10	26	53
- 4.0	-	10	25

Tab. C

Key

- H = Pump/Foot valve height difference
- L = Piping length
- Ø = Inside pipe diameter
- 1 = Burner
- 2 = Pump
- 3 = Filter
- 4 = Manual on/off valve
- 5 = Suction line
- 6 = Foot valve
- 7 = Rapid closing manual valve - remote controlled (only Italy)
- 8 = On/off solenoid valve (only Italy)
- 9 = Return line
- 10 = Check valve (only Italy)

7.2 Hydraulic connections

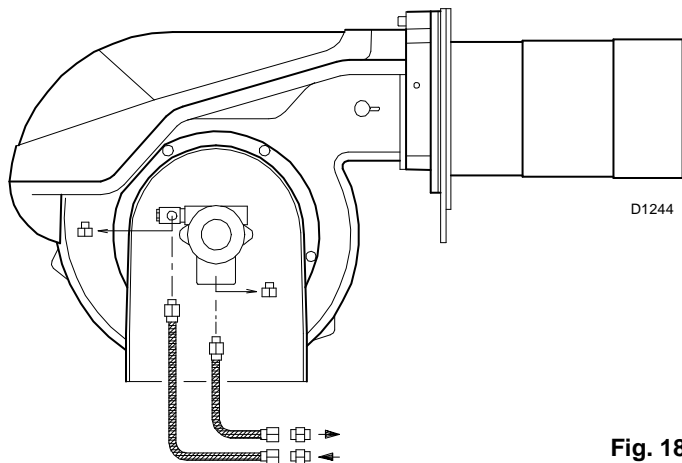


Fig. 18

The pumps are equipped with a by-pass that connects return line with suction line. The pumps are installed on the burner with the by-pass closed by screw 6) (Fig. 23 pag. 19).

It is therefore necessary to connect both hoses to the pump.

The pump will break down immediately if it is run with the return line closed and the by-pass screw inserted.

Remove the plugs from the suction and return connections of the pump.

Insert the hose connections with the supplied seals into the connections and screw them down.

Take care that the hoses are not stretched or twisted during installation.

Install the hoses where they cannot be stepped on or come into contact with hot surfaces of the boiler.

Now connect the other end of the hoses to the suction and return lines by using the supplied nipples.

**PUMP
SUNTEC J7 C**

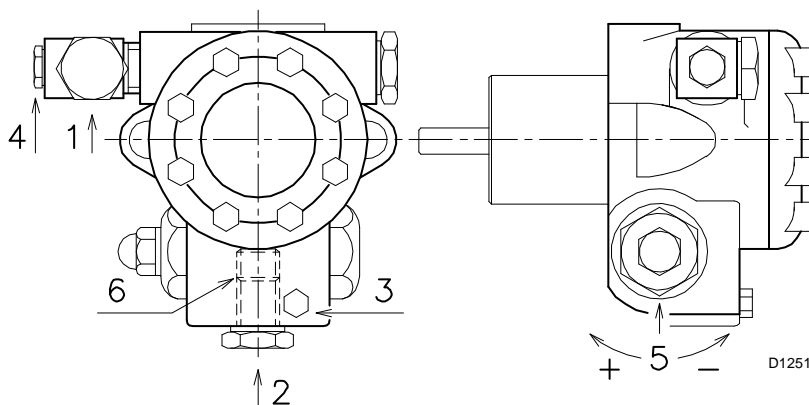


Fig. 19

7.3 Pump

- 1 - Suction G 1/2"
 - 2 - Return G 1/2"
 - 3 - Pressure gauge connection G 1/8"
 - 4 - Vacuum meter connection G 1/8"
 - 5 - Pressure adjustment screw
 - 6 - Screw for by-pass
- A - Min. delivery rate at 12 bar pressure
 - B - Delivery pressure range
 - C - Max. suction depression
 - D - Viscosity range
 - E - Light oil max. temperature
 - F - Max. suction and return pressure
 - G - Pressure calibration in the factory
 - H - Filter mesh width

7.3.1 Pump priming

- Before starting the burner, make sure that the tank return line is not clogged. Obstructions in the line could cause the sealing organ located on the pump shaft to break. (The pump leaves the factory with the by-pass closed).
- In order for self-priming to take place, one of the screw 3) (Fig. 19) of the pump must be loosened in order to bleed off the air contained in the suction line.
- Start the burner by closing the control devices and with switch 1) (Fig. 20 pag. 18) in the "ON" position. The pump must rotate in the direction of the arrow marked on the cover.

- The pump can be considered to be primed when the light oil starts coming out of the screw 3). Stop the burner: switch 1) (Fig. 20 pag. 18) set to "OFF" and tighten the screw 3).

The time required for this operation depends upon the diameter and length of the suction tubing. If the pump fails to prime at the first starting of the burner and the burner locks out, wait approx. 15 seconds, reset the burner, and then repeat the starting operation as often as required. After 5 or 6 starting operations allow 2 or 3 minutes for the transformer to cool.

Do not illuminate the photocell or the burner will lock out; the burner should lock out anyway about 10 seconds after it starts.



WARNING

The a.m. operation is possible because the pump is already full of fuel when it leaves the factory. If the pump has been drained, fill it with fuel through the opening on the vacuum meter prior to starting; otherwise, the pump will seize.

Whenever the length of the suction piping exceeds 20-30 meters, the supply line must be filled using a separate pump.

8 Burner calibration

8.1 Firing

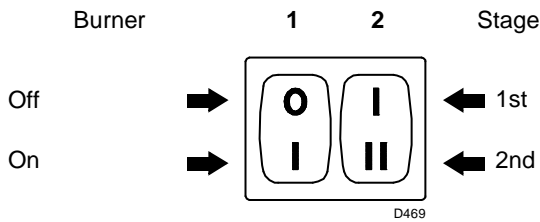


Fig. 20



Check the correct working of the adjustment, command and safety devices.

Set switch 1) (Fig. 20) to "ON".

During the first firing, during the passage from the 1st to the 2nd stage, there is a momentary lowering of the fuel pressure caused by the filling of the 2nd stage nozzle tubing. This lowering of the fuel pressure can cause the burner to lock-out and can sometimes give rise to pulsations.

Once the following adjustments have been made, the firing of the burner must generate a noise similar to the noise generated during operation. If one or more pulsations or a delay in firing in respect to the opening of the light oil solenoid valve occur, see the suggestions provided on pag. 24: causes 34 ÷ 42

Notes on safety for the first start-up



The first start-up of the burner must be carried out by qualified personnel, as indicated in this manual and in compliance with the standards and regulations of the laws in force.

8.2 Operation

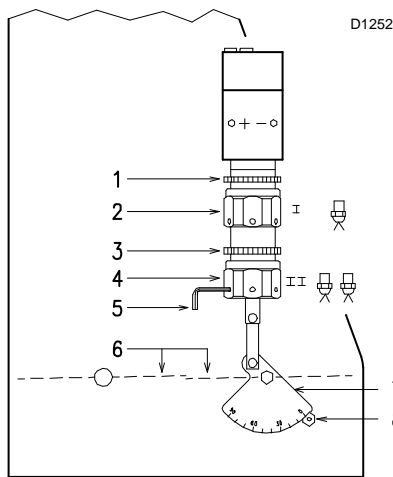


Fig. 21

The optimum calibration of the burner requires an analysis of the flue gases at the boiler outlet and interventions on the following points:

➤ **1st and 2nd stage nozzles**

See the information listed on pag. 11.

➤ **Combustion head**

The adjustment of the combustion head already carried out need not be altered unless the 2nd stage delivery of the burner is changed.

➤ **Pump pressure**

12 bar: this is the pressure calibrated in the factory which is usually sufficient for most purposes. Sometimes, this pressure must be adjusted to:

10 bar: in order to reduce fuel delivery. This adjustment is possible only if the surrounding temperature remains above 0°C. Never calibrate to pressures below 10 bar, at which pressures the cylinders may have difficulty in opening;

14 bar: order to increase fuel delivery or to ensure firings even at temperatures of less than 0°C.

In order to adjust pump pressure, use the relevant screw 5) (Fig. 19 pag. 17)

➤ **1st stage fan air gate valve**

Keep the burner operating at 1st stage by setting the switch 2) (Fig. 20) to the 1st stage position. Opening of the air gate valves 6) (Fig. 21) must be adjusted in proportion to the selected nozzle: the index 8) (Fig. 21) must be aligned with the notch indicated on the graduated sector 7) (Fig. 21). This adjustment is achieved by turning the hex element 2) (Fig. 21):

- in rh direction (- sign) the opening is reduced;
- in lh direction (+ sign) the opening increases.

		J7 C
A	kg/h	230
B	bar	10 - 21
C	bar	0,45
D	cSt	2,8 - 200
E	°C	90
F	bar	1.5
G	bar	12
H	mm	0,170

Tab. D

➤ **2st stage fan air gate valve**

Set switch 2) (Fig. 20 pag. 18) to the 2nd stage position and adjust the air gate valve 6) (Fig. 21) by turning the hex element 4) (Fig. 21), after having loosened the ring nut 3) (Fig. 21).

NOTE:

in order to facilitate adjustment of hex elements 2) and 4) (Fig. 21), use a 3 mm Allen key 5) (Fig. 21).

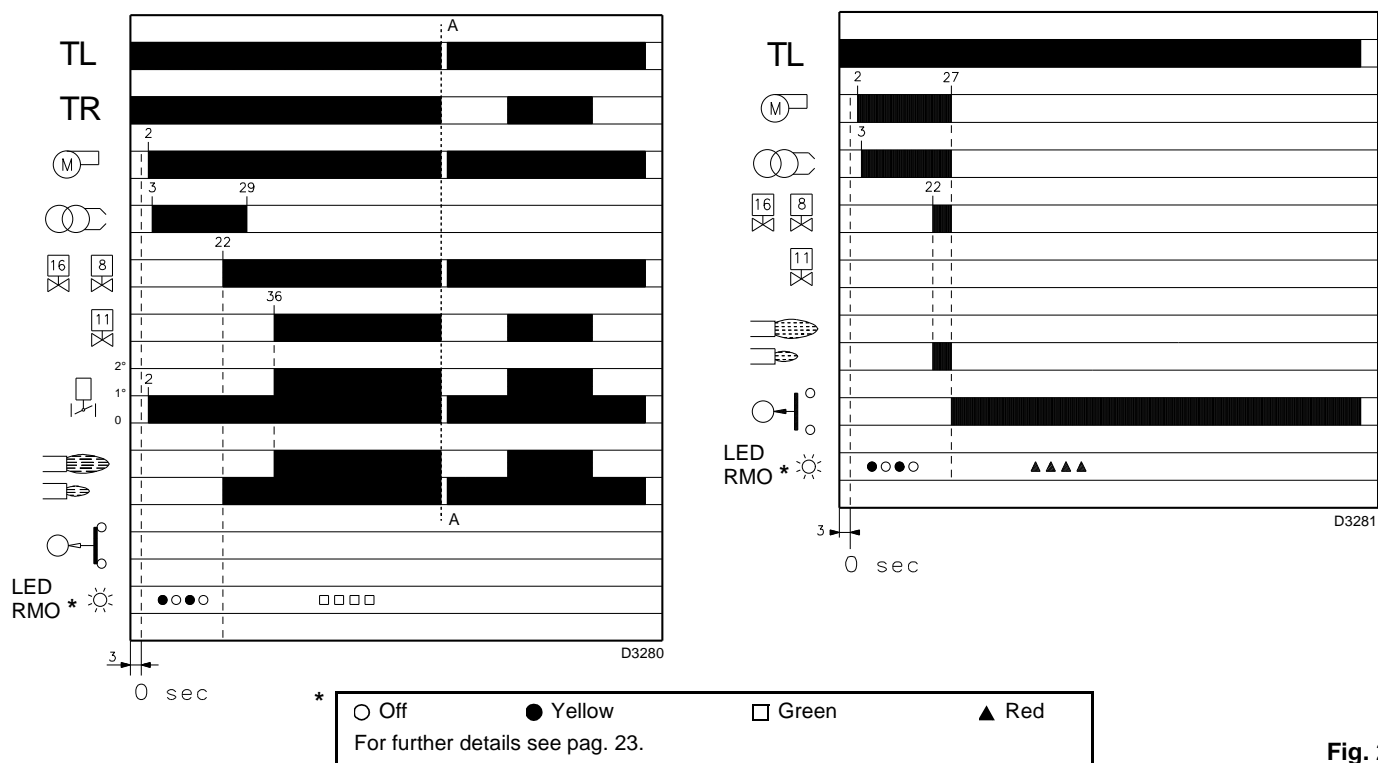
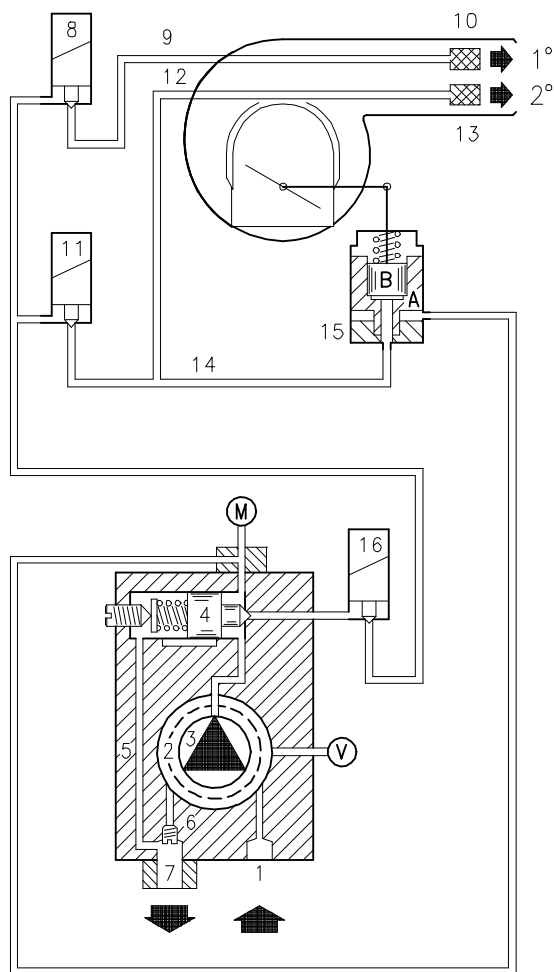


Fig. 22

8.2.1 Burner starting



D1253

Fig. 23

Starting phases with progressive time intervals shown in seconds:

Control device TL closes.

After about 3s:

- **0 s:** The control box starting cycle begins.
- **2 s:** The fan motor starts.
- **3 s:** The ignition transformer is connected.
The pump 3) sucks the fuel from the tank through the piping 1) and the filter 2) and pumps it under pressure to delivery. The piston 4) rises and the fuel returns to the tank through the piping 5) - 7). The screw 6) closes the by-pass heading towards suction and the solenoid valves 8) - 11) - 16), de-energized, close the passage to the nozzles. The hydraulic cylinder 15), piston A, opens the air gate valve: pre-purging begins with the 1st stage air delivery.
- **22 s:** Solenoid valves 8) and 16) open and the fuel passes through the piping 9) and filter 10) and is then sprayed out through the nozzle, igniting when it comes into contact with the spark. This is the 1st stage flame.
- **29 s:** The ignition transformer switches off.
- **36 s:** If the control device TR is closed or has been replaced by a jumper wire, the 2nd stage solenoid valve 11), energized, opens two passages: one to piping 12), filter 13), and the 2nd stage nozzle, and the other to the cylinder 15), piston B, that opens the fan air gate valve in the 2nd stage. The starting cycle comes to an end.

8.2.2 Steady state operation

System equipped with one control device TR

Once the starting cycle has come to an end, the command of the 2nd stage solenoid valve passes on to the control device TR that controls boiler temperature or pressure.

- When the temperature or the pressure increases until the control device TR opens, solenoid valve 11) closes, and the burner passes from the 2nd to the 1st stage of operation.
- When the temperature or pressure decreases until the control device TR closes, solenoid valve 11) opens, and the burner passes from the 1st to the 2nd stage of operation. And so on.
- The burner stops when the demand for heat is less than the amount of heat delivered by the burner in the 1st stage. In this case, the control device TL opens, and solenoid valves 8)-16) close, the flame immediately goes out. The fan's air gate valve closes completely.

Systems not equipped with control device TR (jumper wire installed)

The burner is fired as described in the case above. If the temperature or pressure increase until control device TL opens, the burner shuts down (Section A-A in the diagram).

When the solenoid valve 11) de-energizes, the fuel contained in the cylinder 15), piston B, is discharged through the nozzle.

8.2.3 Firing failure

If the burner does not fire, it goes into lock-out within 5 s of the opening of the 1st stage valve and 30 s after the closing of control device TL.

The control box red pilot light will light up.

8.2.4 Undesired shutdown during operation

If the flame goes out during operation, the burner shuts down automatically within 1 second and automatically attempts to start again by repeating the starting cycle.

8.2.5 Final checks

- **Darken the photoresistor and switch on the control devices:** the burner should start and then lock-out about 5 s after opening of the 1st stage operation valve.
- **Illuminate the photoresistor and switch on the control devices:** the burner should start and then go into lock-out after about 10 s.
- **Obscure the photocell while the burner is in 2nd stage operation, the following must occur in sequence:** flame extinguished within 1 s, pre-purging for about 20 ÷ 28 s, sparking for about 5 s, burner goes into lock-out.
- **Switch off control device TL followed by control device TS while the burner is operating:** the burner should stop.

9 Maintenance

Notes on safety for the maintenance

The periodic maintenance is essential for the good operation, safety, yield and duration of the burner.

It allows you to reduce consumption and polluting emissions and to keep the product in a reliable state over time.



The maintenance interventions and the calibration of the burner must only be carried out by qualified, authorised personnel, in accordance with the contents of this manual and in compliance with the standards and regulations of current laws.

Before carrying out any maintenance, cleaning or checking operations:



disconnect the electricity supply from the burner by means of the main switch of the system;



close the fuel interception tap;

Combustion

The optimum calibration of the burner requires an analysis of the flue gases. Significant differences with respect to the previous measurements indicate the points where more care should be exercised during maintenance.

Pump

The delivery pressure must be stable at 12 bar.

The depression must be less than 0.45 bar.

Unusual noise must not be evident during pump operation.

If the pressure is found to be unstable or if the pump runs noisily, the flexible hose must be detached from the line filter and the fuel must be sucked from a tank located near the burner. This measure permits the cause of the anomaly to be traced to either the suction piping or the pump.

If the pump is found to be responsible, check to make sure that the filter is not dirty. The vacuum meter is installed upstream from the filter and consequently will not indicate whether the filter is clogged or not.

Contrarily, if the problem lies in the suction line, check to make sure that the filter is clean and that air is not entering the piping.

Filters (Fig. 24)

Check the following filter boxes:

- on line 1) • in the pump 2) • at the nozzle 3), and clean or replace as required.

If rust or other impurities are observed inside the pump, use a separate pump to lift any water and other impurities that may have deposited on the bottom of the tank.

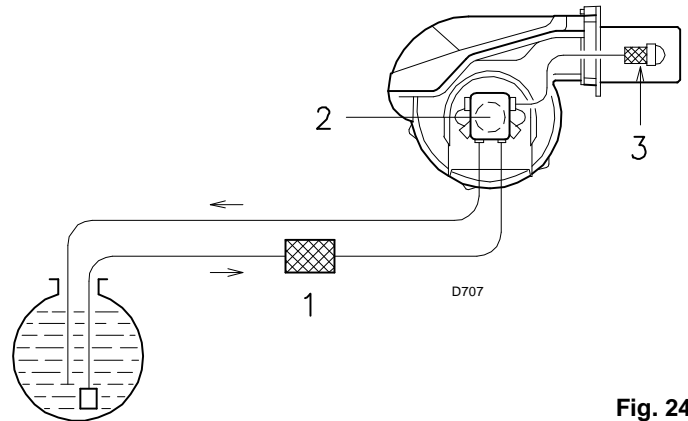


Fig. 24

Fan

Check to make sure that no dust has accumulated inside the fan or on its blades, as this condition will cause a reduction in the air flow rate and provoke polluting combustion.

Combustion head

Check to make sure that all the parts of the combustion head are in good condition, positioned correctly, free of all impurities, and that no deformation has been caused by operation at high temperatures.

Nozzles

Do not clean the nozzle openings; do not even open them.

Replace the nozzles every 2-3 years or whenever necessary. Combustion must be checked after the nozzles have been changed.

Photoresistor (Fig. 25)

Clean the glass cover from any dust that may have accumulated. Photocell 1) can be removed by pulling it outward forcefully.

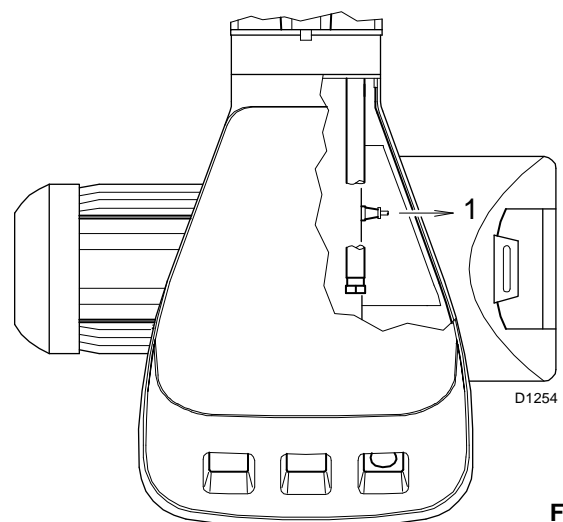


Fig. 25

Flame inspection window (Fig. 26)

Clean the glass.

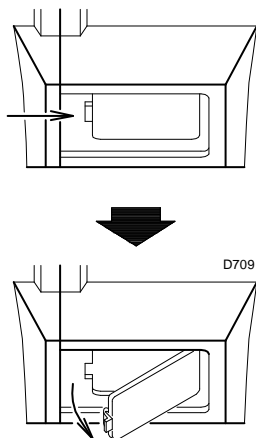


Fig. 26

Flexible hoses

Check to make sure that the flexible hoses are still in good condition.

Fuel tank

Approximately every 5 years, or whenever necessary, suck any water or other impurities present on the bottom of the tank using a separate pump.

Boiler

Clean the boiler as indicated in its accompanying instructions in order to maintain all the original combustion characteristics intact, especially the flue gas temperature and combustion chamber pressure.

To open the burner (Fig. 27)

- Switch off the electrical power.
- Loosen screws 1) and withdraw the cover 2)
- Unscrew screw 3).
- Fit the two extensions 4) supplied with the burner onto the slide bars 5)
- Pull part A backward keeping it slightly raised to avoid damaging the disk 6) on blast tube 7).

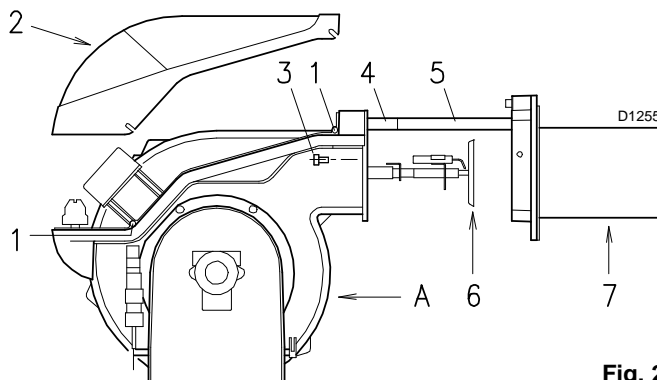


Fig. 27

9.1 Burner start-up cycle diagnostics

During start-up, indication is according to the following table:

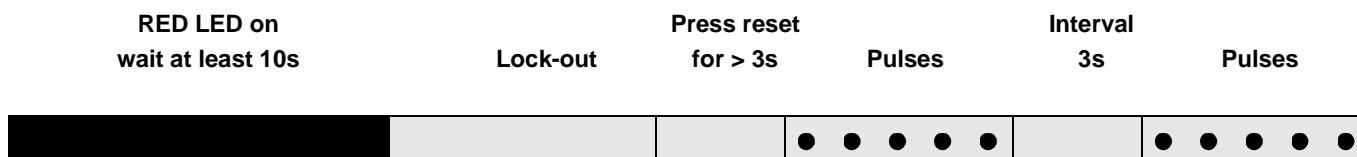
Colour code table	
Sequences	Colour code
Pre-purging	● ○ ● ○ ● ○ ● ○ ●
Ignition phase	● ○ ● ○ ● ○ ● ○ ●
Operation, flame ok	□ □ □ □ □ □ □ □ □
Operating with weak flame signal	□ ○ □ ○ □ ○ □ ○ □
Electrical supply lower than ~ 170V	● ▲ ● ▲ ● ▲ ● ▲ ●
Lockout	▲ ▲ ▲ ▲ ▲ ▲ ▲ ▲ ▲
Extraneous light	▲ □ ▲ □ ▲ □ ▲ □ ▲
Key:	○ Off ● Yellow □ Green ▲ Red

9.2 Resetting the control box and using diagnostics

The control box features a diagnostics function through which any causes of malfunctioning are easily identified (indicator: **RED LED**). To use this function, you must wait at least 10 seconds once it has entered the safety condition (**lock-out**), and then press the reset button.

The control box generates a sequence of pulses (1 second apart), which is repeated at constant 3-second intervals.

Once you have seen how many times the light pulses and identified the possible cause, the system must be reset by holding the button down for between 1 and 3 seconds.



The methods that can be used to reset the control box and use diagnostics are given below.

9.3 Resetting the control box

To reset the control box, proceed as follows:

- Hold the button down for between 1 and 3 seconds. The burner restarts after a 2-second pause once the button is released. If the burner does not restart, you must make sure the limit thermostat is closed.

9.4 Visual diagnostics

Indicates the type of burner malfunction causing lock-out.

To view diagnostics, proceed as follows:

- Hold the button down for more than 3 seconds once the red LED (burner lock-out) remains steadily lit. A yellow light pulses to tell you the operation is done. Release the button once the light pulses. The number of times it pulses tells you the cause of the malfunction, according to the coding system indicated in the table on pag. 24.

9.5 Software diagnostics

Reports burner life by means of an optical link with the PC, indicating hours of operation, number and type of lock-outs, serial number of control box etc.

To view diagnostics, proceed as follows:

- Hold the button down for more than 3 seconds once the red LED (burner lock-out) remains steadily lit.
A yellow light pulses to tell you the operation is done.
Release the button for 1 second and then press again for over 3 seconds until the yellow light pulses again.
Once the button is released, the red LED will flash intermittently with a higher frequency: only now can the optical link be activated.

Once the operations are done, the control box's initial state must be restored using the resetting procedure described above.

Button pressed for	Control box status
Between 1 and 3 seconds	Control box reset without viewing visual diagnostics.
More than 3 seconds	Visual diagnostics of lock-out condition: (LED pulses at 1-second intervals).
More than 3 seconds starting from the visual diagnostics condition	Software diagnostics by means of optical interface and PC (hours of operation, malfunctions etc. can be viewed)

The sequence of pulses issued by the control box identifies the possible types of malfunction, which are listed in the table on pag. 24

SIGNAL	FAULT	PROBABLE CAUSE	SUGGESTED REMEDY
No blink	The burner does not start	1 - No electrical power supply 2 - Limit control device TL is open. 3 - Safety control device TS is open 4 - Control box lock-out 5 - Pump is jammed 6 - Erroneous electrical connections 7 - Defective control box 8 - Defective electrical motor.	Close all switches - Check fuses Adjust or replace Adjust or replace Reset control box (no sooner than 10 s after the lock-out) Replace Check Replace Replace
2 led blinks ● ●	After pre-purge and the safety time, the burner goes to lock-out and the flame does not appear	9 - No fuel in tank; water on tank bottom. 10 - Inappropriate head and air gate valve adjustments 11 - Light oil solenoid valves fail to open (1st stage or safety) 12 - 1st stage nozzle clogged, dirty, or deformed 13 - Dirty or poorly adjusted firing electrodes 14 - Grounded electrode due to broken insulation 15 - High voltage cable defective or grounded 16 - High voltage cable deformed by high temperature. 17 - Ignition transformer defective. 18 - Erroneous valves or transformer electrical connections 19 - Defective control box 20 - Pump unprimed 21 - Pump/motor coupling broken 22 - Pump suction line connected to return line 23 - Valves up-line from pump closed 24 - Filters dirty: line - pump - nozzle 25 - Defective photoresistor or control box 26 - Photoresistor dirty 27 - 1st stage operation of cylinder is faulty 28 - Motor protection tripped 29 - Defective motor command control device 30 - 2-phase power supply thermal relay trips. 31 - Incorrect motor rotation direction	Top up fuel level or suck up water Adjust, see pag. 12 and pag. 18 Check connections; replace coil Replace Adjust or clean Replace Replace Replace and protect Replace Check Replace Prime pump and see "Pump unprimes" Replace Correct connection Open Clean Replace photoresistor or control box Clean Change cylinder Reset thermal cut-out Replace Reset thermal cut-out when third phase is re-connected Change motor electrical connections
4 led blinks ● ● ● ●	The burner starts and then goes into lock-out	32 - Photoresistor short-circuit 33 - Light is entering or flame is simulated	Replace photoresistor Eliminate light or replace control box

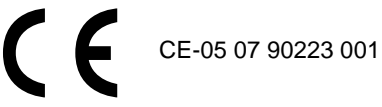
SIGNAL	FAULT	PROBABLE CAUSE	SUGGESTED REMEDY
7 led blinks ● ● ● ● ● ● ●	Flame detachment	34 - Poorly adjusted head 35 - Poorly adjusted or dirty firing electrodes. 36 - Poorly adjusted fan air gate: too much air 37 - 1st nozzle is too big (pulsation). 38 - 1st nozzle is too small (flame detachment). 39 - 1st nozzle dirty, or deformed. 40 - Inappropriate pump pressure 41 - 1st stage nozzle unsuited to burner or boiler 42 - Defective 1st stage nozzle	Adjust, see pag. 12, Fig. 13 Adjust, see pag. 12, Fig. 9 or clean Adjust Reduce 1st nozzle delivery Increase 1st nozzle delivery Replace Adjust to between 10 - 14 bar See Nozzle Table, pag. 11 ; reduce 1st stage Replace
	The burner does not pass to 2nd stage	43 - Control device TR does not close 44 - Defective control box 45 - 2nd stage sol. valve coil defective	Adjust or replace Replace Replace
	Fuel passes to 2nd stage but air remains in 1st	46 - Low pump pressure 47 - 2nd stage operation of cylinder is faulty	Increase Change cylinder
	Burner stops at transition between 1st and 2nd stage or vice versa. Burner repeats starting cycle	48 - Nozzle dirty 49 - Photoresistor dirty 50 - Excess air	Replace Clean Reduce
	Uneven fuel supply	51 - Check if cause is in pump or in the fuel supply system	Feed the burner from a tank located nearby
	Rusty pump internal parts	52 - Water in tank	Suck water from tank bottom with separate pump
	Noisy pump, unstable pressure	53 - Air has entered the suction line. - Depression value too high (higher than 35 cm Hg): 54 - Tank/burner height difference too great 55 - Piping diameter too small 56 - Suction filters clogged. 57 - Suction valves closed 58 - Paraffin solidified due to low temperature.	Tighten connectors Feed burner with loop circuit Increase Clean Open Add additive to light oil
	Pump unprimes after prolonged pause	59 - Return pipe not immersed in fuel 60 - Air enters suction piping	Bring to same height as suction pipe Tighten connectors
	Pump leaks light oil	61 - Leakage from sealing organ	Replace pump
	Smoke in flame - dark Bacharach - yellow Bacharach	62 - Not enough air 63 - Nozzle worn or dirty 64 - Nozzle filter clogged 65 - Erroneous pump pressure 66 - Flame stability spiral dirty, loose, or deformed 67 - Boiler room air vents insufficient. 68 - Too much air	Adjust head and fan gate, see pag. 12 and pag. 18. Replace Clean or replace Adjust to between 10 - 14 bar Clean, tighten in place, or replace Increase Adjust head and fan gate, see pag. 12 and pag. 18.
	Dirty combustion head	69 - Nozzle or filter dirty 70 - Unsuitable nozzle delivery or angle 71 - Loose nozzle. 72 - Impurities on flame stability spiral 73 - Erroneous head adjustment or not enough air 74 - Blast tube length unsuited to boiler.	Replace See recommended nozzles, pag. 11 Tighten Clean Adjust, see pag. 18, open gate valve Contact boiler manufacturer
10 led blinks ● ● ● ● ● ● ● ● ● ●	The burner goes to lock-out	75 - Connection or internal fault 76 - Presence of electromagnetic disturbance.	Use the radio disturbance protection kit

1	Declaraciones	2
2	Informaciones y advertencias generales	3
2.1	Informaciones sobre el manual de instrucción	3
2.1.1	Peligros generales	3
2.1.2	Peligro componentes con tensión	3
2.2	Garantía y responsabilidad	4
3	Seguridad y prevención	5
3.1	Introducción	5
3.2	Formación del personal	5
4	Descripción técnica del quemador	6
4.1	Datos técnicos	6
4.1.1	Accesorios (suministro sobre pedido)	6
4.1.2	Versiones constructivas	6
4.2	Descripción del quemador	7
4.2.1	Peso - medidas aproximadas	7
4.2.2	Dimensiones máximas - medidas aproximadas	8
4.2.3	Forma de suministro	8
4.3	Gráficos caudal	8
4.3.1	Caldera de prueba	8
5	Instalación	9
5.1	Traslado	9
5.2	Controles preliminares	9
5.3	Placa de caldera	10
5.4	Longitud tubo llama	10
5.5	Fijación del quemador a la caldera	10
5.6	Selección boquillas para 1ª y 2ª llama	11
5.7	Montaje de las boquillas	11
5.8	Regulación del cabezal de combustión	12
6	Instalación eléctrica	13
6.1	Instalación Eléctrica (de Fábrica)	14
6.1.1	Conexiones eléctricas	14
7	Instalación hidráulica	16
7.1	Alimentación de combustible	16
7.2	Conexiones hidráulicas	17
7.3	Bomba	17
7.3.1	Cebado de la bomba	17
8	Regulación del quemador	18
8.1	Encendido	18
8.2	Funcionamiento	18
8.2.1	Puesta en marcha del quemador	19
8.2.2	Funcionamiento a régimen	20
8.2.3	Falta de encendido	20
8.2.4	Apagado de la llama durante el funcionamiento	20
8.2.5	Controles finales	20
9	Mantenimiento	21
9.1	Diagnóstico del programa de puesta en marcha	23
9.2	Desbloqueo de la caja de control y uso de la función de diagnóstico	23
9.3	Desbloqueo de la caja de control	23
9.4	Diagnóstico visual	23
9.5	Diagnóstico software	24

1 Declaraciones

Declaración de conformidad según ISO / IEC 17050-1

Fabricante: RIELLO S.p.A.
 Dirección: Via Pilade Riello, 7
 37045 Legnago (VR)
 Producto: Quemador de gasóleo
 Modelo: RL 190
 Estos productos están conformes con las siguientes Normas Técnicas:
 EN 267
 EN 12100
 y según lo dispuesto por las Directivas Europeas:
 MD 2006/42/CE Directiva Máquinas
 LVD 2006/95/CE Directiva Baja Tensión
 EMC 2004/108/CE Compatibilidad Electromagnética
 Estos productos están marcados como se indica a continuación:





La calidad está garantizada mediante un sistema de calidad y management certificado según UNE EN ISO 9001.

Declaración del fabricante

RIELLO S.p.A. declara que los siguientes productos respetan los valores límite de emisión de los NOx impuestos por la legislación alemana "1. BImSchV versión 26.01.2010".

Producto	Tipo	Modelo	Potencia
Quemador de gasóleo	673 T1	RL 190	759 - 2443 kW

Legnago, 10.10.2013

Director Ejecutivo RIELLO S.p.A. - Dirección Quemadores Ing. G. Conticini	Director Investigación y Desarrollo RIELLO S.p.A. - Dirección Quemadores Ing. R. Cattaneo
	

2 Informaciones y advertencias generales

2.1 Informaciones sobre el manual de instrucción

Introducción

El manual de instrucción suministrado juntamente al quemador:

- constituye parte integrante y fundamental del producto y no se debe separar del quemador; por lo tanto debe conservarse con cuidado para toda necesidad de consulta y debe acompañar al quemador incluso en caso de entregarse a otro propietario o usuario, o en caso de transferencia a otra instalación. En caso de daño o extravío debe solicitarse otro ejemplar al Servicio Técnico de Asistencia **RIELLO** de la Zona;
- fue realizado para que solo el personal calificado lo use;
- suministra importantes indicaciones y advertencias sobre la seguridad de la instalación, la puesta en funcionamiento, el uso y el mantenimiento del quemador.

Simbología utilizada en el manual

En algunas partes del manual figuran señales triangulares de PELIGRO. Prestar mucha atención porque indican una situación de peligro potencial.

2.1.1 Peligros generales

Los **peligros** pueden ser de **3 niveles**, como se indica a continuación.



PELIGRO

¡Máximo nivel de peligro!
Este símbolo indica aquellas operaciones que si no se ejecutan correctamente **causarán** graves lesiones, muerte o riesgos a largo plazo para la salud.



ATENCIÓN

Este símbolo indica aquellas operaciones que si no se ejecutan correctamente **podrían causar** graves lesiones, muerte o riesgos a largo plazo para la salud.



PRECAUCIÓN

Este símbolo indica aquellas operaciones que si no se ejecutan correctamente **podrían causar** daños a la máquina y/o a las personas.

2.1.2 Peligro componentes con tensión



PELIGRO

Este símbolo distinguirá las operaciones que si no se ejecutan correctamente causarán descargas eléctricas con consecuencias mortales.

Otros símbolos



DEFENSA DEL MEDIO AMBIENTE

Este símbolo suministra indicaciones para usar la máquina respetando el medio ambiente.

➤ Este símbolo indica una lista.

Abreviaturas utilizadas

Cap.	Capítulo
Fig.	Figura
Pág.	Página
Sec.	Sección
Tab.	Tabla

Entrega de la instalación y del manual de instrucción

Cuando se entrega la instalación es necesario que:

- El manual de instrucción sea entregado por el proveedor de la instalación al usuario, con la advertencia de que dicho manual debe ser conservado en el local de la instalación del generador de calor.
- En el manual de instrucción figuran: el número de matrícula del quemador; la dirección y el número de teléfono del Centro de Asistencia más cercano;
- El proveedor de la instalación informe con precisión al usuario acerca de:
 - el uso de la instalación,
 - eventuales pruebas adicionales necesarias que se deben realizar antes de la activación de la instalación,
 - el mantenimiento y la necesidad de controlar la instalación como mínimo una vez al año por parte de un encargado de la Empresa Fabricante o de otro técnico especializado.

Para garantizar un control periódico, **RIELLO** se recomienda estipular un Contrato de Mantenimiento.

2.2 Garantía y responsabilidad

RIELLO garantiza sus productos nuevos a partir de la fecha de instalación según las normativas vigentes y/o de acuerdo con el contrato de venta. Verificar, en el momento de la primera puesta en funcionamiento, que el quemador esté en buen estado y completo.



ATENCIÓN

La inobservancia de todo lo descrito en este manual, la negligencia operativa, una instalación incorrecta y la realización de modificaciones no autorizadas serán causa de anulación por parte de **RIELLO**, de la garantía que la misma otorga al quemador.

En particular, los derechos a la garantía y a la responsabilidad caducarán, en caso de daños a personas y/o cosas cuando los daños hayan sido originados por una o más de las siguientes causas:

- instalación, puesta en funcionamiento, uso y mantenimiento del quemador incorrectos;
- uso inadecuado, erróneo e irracional del quemador;
- intervención de personal no habilitado;
- realización de modificaciones no autorizadas en el aparato;
- uso del quemador con dispositivos de seguridad defectuosos, aplicados en forma incorrecta y/o que no funcionen;
- instalación de los componentes adicionales no probados junto con el quemador;
- alimentación del quemador con combustibles no aptos;
- defectos en la instalación de alimentación del combustible;
- uso del quemador aunque se compruebe algún error y/o anomalía;
- reparaciones y/o revisiones realizadas en forma incorrecta;
- modificación de la cámara de combustión mediante introducción de elementos que impidan el normal desarrollo de la llama implementada en fábrica;
- insuficiente e inadecuada vigilancia y cuidado de los componentes del quemador que están mayormente sujetos a desgaste;
- uso de componentes no originales **RIELLO**, sean éstos recambios, kits, accesorios y opcionales;
- causas de fuerza mayor.

RIELLO además declina toda y cualquier responsabilidad por la inobservancia de todo cuanto mencionado en el presente manual.

3 Seguridad y prevención

3.1 Introducción

Los quemadores **RIELLO** fueron diseñados y fabricados en conformidad con las normas y directivas vigentes, aplicando las regulaciones técnicas de seguridad conocidas y previendo todas las situaciones de peligro potenciales.

Sin embargo es necesario considerar que usar el aparato de modo imprudente y sin experiencia puede causar situaciones de peligro mortales para el usuario o terceros, además de daños al quemador y a otros bienes. La distracción, imprevisión y demasiada confianza son, a menudo, causa de accidentes; como pueden serlo el cansancio y la somnolencia.

Es conveniente tener en cuenta lo siguiente:

- El quemador debe destinarse sólo al uso para el cual fue expresamente previsto. Cada otro uso debe considerarse impropio y por lo tanto peligroso.
En particular:
puede ser aplicado a calderas de agua, de vapor, de aceite diatérmico, y a otros dispositivos expresamente previstos por el fabricante;
el tipo y la presión del combustible, la tensión y la frecuencia de la corriente eléctrica de alimentación, los caudales mínimos y máximos con los cuales está regulado el quemador, la presurización de la cámara de combustión, las dimensiones de la cámara de combustión, la temperatura ambiente, deben estar comprendidos dentro de los valores indicados en el manual de instrucción.
- No está permitido modificar el quemador para alterar las prestaciones ni los destinos.
- El uso del quemador se debe realizar en condiciones de seguridad técnica irreprochables. Los eventuales inconvenientes que puedan comprometer la seguridad se deben eliminar inmediatamente.
- No está permitido abrir o alterar los componentes del quemador, excepto aquellas partes previstas en el mantenimiento.
- Se pueden sustituir exclusivamente las piezas previstas por el fabricante.

3.2 Formación del personal

El usuario es la persona, entidad o empresa que compra la máquina y que la usa con el fin para el cual fue concebida. Suya es la responsabilidad de la máquina y de la formación de aquellos que trabajen en ella.

El usuario:

- está obligado en confiar la máquina exclusivamente a personal calificado y formado para ese fin;
- es responsable de tomar todas las medidas necesarias para evitar que personas no autorizadas tengan acceso a la máquina;
- está obligado a informar a su personal en forma conveniente sobre la aplicación y observancia de las prescripciones de seguridad. Por lo tanto, se empeña en dar al personal justo conocimiento de las instrucciones, relativo a las diferentes atribuciones, para el uso y de las prescripciones de seguridad;
- deberá informar a la Empresa Fabricante sea en caso de que compruebe defectos o mal funcionamiento de los sistemas de prevención de accidentes, que de toda situación de supuesto peligro.
- El personal siempre deberá usar los medios de protección individual previstos por la legislación y cumplir todo lo mencionado en el presente manual.
- El personal deberá atenerse a todas las indicaciones de peligro y de precaución señalizadas en la máquina.
- El personal no deberá emplear su propia iniciativa en operaciones o intervenciones que no sean de su competencia.
- El personal tiene la obligación de manifestar a su superior todo problema o situación de peligro que pudiera crearse.
- El montaje de las piezas de otras marcas o eventuales modificaciones pueden cambiar las características de la máquina y por lo tanto perjudicar la seguridad operativa. Por lo tanto, la Empresa Fabricante declina toda y cualquier responsabilidad por los daños que pudieran surgir por el uso de piezas no originales.

4 Descripción técnica del quemador

4.1 Datos técnicos

MODELO		RL 190	
POTENCIA ⁽¹⁾	llama 2°	kW	1423 - 2443
CAUDAL ⁽¹⁾	llama 2°	Mcal/h	1224 - 2100
		kg/h	120 - 206
		llama 1°	kW
		Mcal/h	653 - 1224
		kg/h	64 - 120
COMBUSTIBLE		GASÓLEO	
- poder calorífico inferior		kWh/kg	11,8
		Mcal/kg	10,2 (10.200 kcal/kg)
- densidad		kg/dm ³	0,82 - 0,85
- viscosidad a 20 °C		mm ² /s max	6 (1,5 °E - 6 cSt)
FUNCIONAMIENTO		Intermitente (mín. 1 paro en 24 horas) 2 llamas (2ª y 1ª) ó 1 llama (todo-nada).	
BOQUILLAS		número	2
UTILIZACIÓN ESTÁNDAR		Calderas: de agua, a vapor y aceite térmico	
TEMPERATURA AMBIENTE		°C	0 - 40
TEMPERATURA AIRE COMBURENTE		°C max	60
ALIMENTACIÓN ELÉCTRICA		V	400 con Neutro ~ +/-10%
		Hz	50 - trifásica
MOTOR ELÉCTRICO		rpm	2800
		W	4500
		V	400
Corriente de funcionamiento		A	9,1
Corriente de arranque		A	72,8
TRANSFORMADOR DE ENCENDIDO		V1 - V2	230 V - 2 x 5 kV
		I1 - I2	1,9 A - 35 mA
BOMBA J7C	Caudal (a 12 bar)	kg/h	230
	Rango presiones	bar	10 - 21
	Temp. combustible	°C max	90
POTENCIA ELÉCTRICA ABSORBIDA		W max	5870
GRADO DE PROTECCIÓN		IP 44	
NIVEL SONORO ⁽²⁾	Presión sonora	dB(A)	83,9
	Potencia sonora		

(1) Condiciones de referencia: Temperatura ambiente 20°C - Presión barométrica 1000 mbar - Altitud sobre el nivel del mar 100 metros.

(2) Presión sonora medida en el laboratorio de combustión del fabricante, con quemador en funcionamiento en caldera de prueba, a la potencia máxima. La potencia sonora es evaluada, según la normativa vigente, sobre una superficie esférica, centrada en el quemador y de 1 metro de radio.

4.1.1 Accesorios (suministro sobre pedido):

• **KIT PROTECCIÓN CONTRA LAS INTERFERENCIAS RADIO**

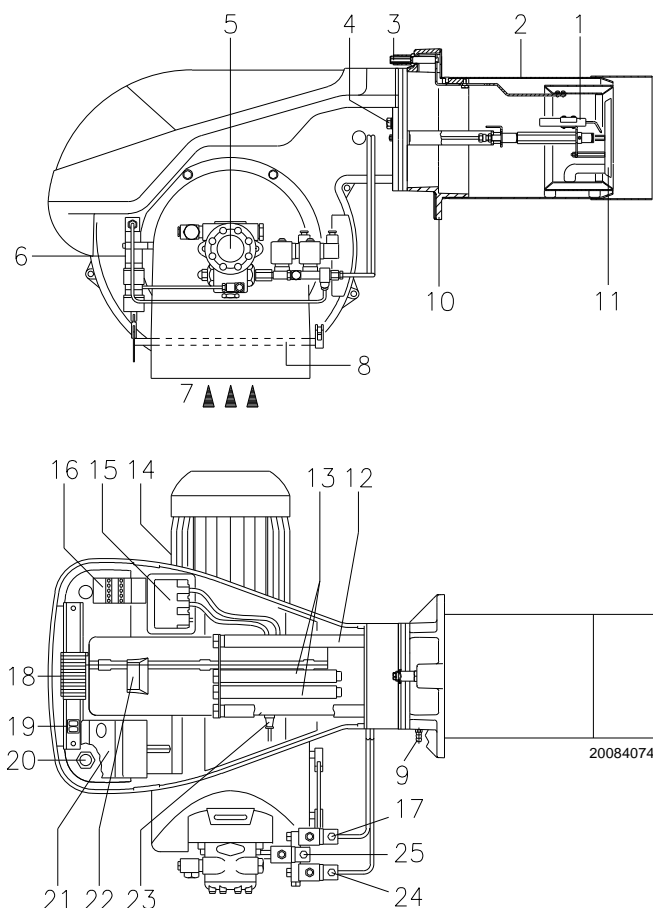
En caso de instalar el quemador en ambientes especiales expuestos a interferencias radio (emisión de señales de más de 10 V/m) debido a la presencia de INVERTER o en aplicaciones donde las conexiones del termostato superan los 20 metros de longitud, se encuentra disponible un kit de protección como interfaz entre la caja de control y el quemador.

4.1.2 Versiones constructivas

Modelo	Código	Alimentación eléctrica
RL 190	20052627	400 V

QUEMADOR	RL 190
Código	3010386

4.2 Descripción del quemador



- 1 Electrodo de encendido
- 2 Cabezal de combustión
- 3 Tornillo regulación cabezal de combustión
- 4 Tornillo fijación del ventilador a la brida
- 5 Bomba
- 6 Cilindro hidráulico para regular el registro de aire en la posición de 1ª y 2ª llama. Cuando el quemador está parado, el registro del aire está completamente cerrado para reducir al mínimo la dispersión térmica de la caldera debido al tiro que toma aire de la boca de aspiración del ventilador.
- 7 Entrada aire del ventilador
- 8 Registros de aire
- 9 Toma de presión ventilador
- 10 Brida para fijación a la caldera
- 11 Disco estabilizador de llama
- 12 Guías para abertura del quemador e inspección del cabezal de combustión
- 13 Prolongadores guías 12)
- 14 Motor eléctrico
- 15 Transformador de encendido
- 16 Contactor motor y relé térmico con pulsador de desbloqueo
- 17 Válvula de 1ª llama
- 18 Regleta de conexiones
- 19 Dos interruptores eléctricos:
- uno de "marcha-paro" quemador
- uno para "1ª llama - 2ª llama"
- 20 Pasacables para conexiones eléctricas a cargo del instalador
- 21 Caja de control con piloto luminoso de bloqueo y pulsador de desbloqueo
- 22 Visor llama
- 23 Seguridad contra fallo de llama mediante fotorresistencia
- 24 Válvula de 2ª llama
- 25 Electroválvula de seguridad

Fig. 1

Hay dos posibilidades de bloqueo del quemador:

Bloqueo caja control: la iluminación del pulsador (led rojo) de la caja 22) (Fig. 1) indica que el quemador está bloqueado. Para desbloquear, oprimir el pulsador durante un tiempo comprendido entre 1 y 3 segundos.

Bloqueo motor: para desbloquear, oprimir el pulsador del relé térmico 17) (Fig. 1)

4.2.1 Peso - medidas aproximadas

- El peso del quemador más lo del embalaje figura en la tabla (Tab. A).

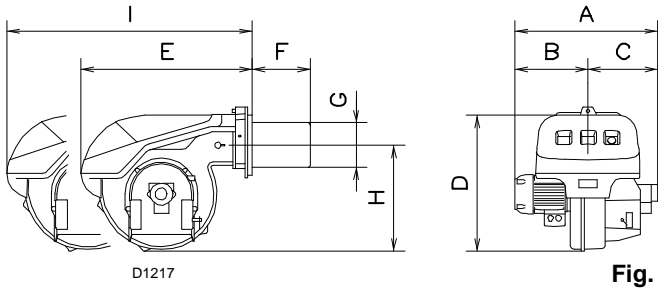
RL 190

kg

77

Tab. A

4.2.2 Dimensiones máximas - medidas aproximadas



Las dimensiones máximas del quemador se indican en (Fig. 2). Tener en cuenta que para inspeccionar el cabezal de combustión, el quemador debe abrirse desplazando la parte posterior por las guías. Las dimensiones del quemador abierto están indicadas por la cota I.

mm	A	B	C	D	E	F	G	H	I
RL 190	756	366	390	555	712	522	222	430	1285

4.2.3 Forma de suministro

- 2 - Tubos flexibles (L = 1350 mm)
- 2 - Juntas para tubos flexibles
- 2 - Rácores para tubos flexibles
- 1 - Junta aislante

- 2 - Prolongadores 13) (Fig. 1) para guías 12) (Fig. 1)
- 4 - Tornillos M12 x 40 fijación del quemador a la caldera
- 1 - Instrucciones
- 1 - Lista de recambios

4.3 Gráficos caudal

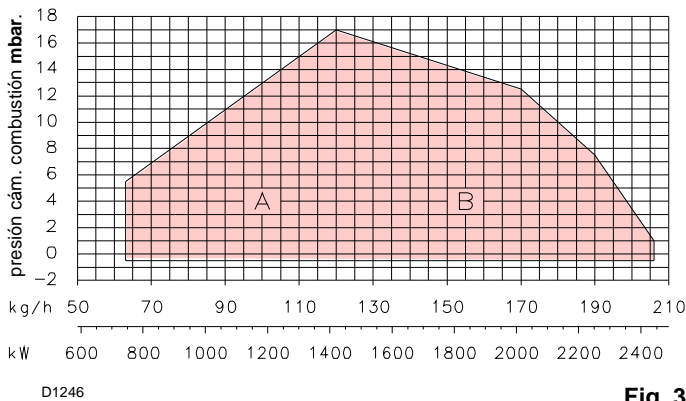


Fig. 3

Estos quemadores RL 190 pueden funcionar de dos modos: monollama y billama.

El **CAUDAL en 1ª llama** debe seleccionarse dentro de la zona A del gráfico que hay al margen.

El **CAUDAL en 2ª llama** debe seleccionarse dentro de la zona B. Esta zona proporciona el máximo caudal del quemador en función de la presión que hay en la cámara de combustión.



ATENCIÓN

Estos gráficos se han determinado considerando una temperatura ambiente de 20°C y una presión barométrica de 1000 mbar (aprox. 100 metros sobre el nivel del mar) y con el cabezal de combustión regulado como se indica en la pág. 12

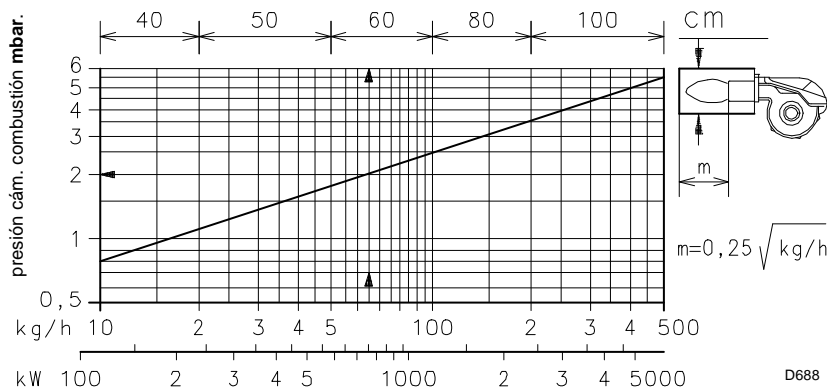
4.3.1 Caldera de prueba

El gráfico se ha obtenido en especiales calderas de prueba, según el método indicado en la norma EN 267.

En (Fig. 4) se indica el diámetro y longitud de la cámara de combustión de la caldera de prueba.

Ejemplo: Caudal 65 kg/hora:
diámetro = 60 cm - longitud 2 m.

Si el quemador se instala en una caldera comercial con cámara de combustión mucho más pequeña, es necesario que antes se realice una prueba.



D688

Fig. 4

5 Instalación

Notas sobre la seguridad para la instalación

Seguir con las operaciones de instalación solo después de haber realizado una cuidadosa limpieza en toda el área de la instalación del quemador y haber provisto de una correcta iluminación del ambiente.



PELIGRO

Todas las operaciones de instalación, mantenimiento y desmontaje deben ser realizadas en su totalidad con la red eléctrica desconectada.



ATENCIÓN

El quemador debe ser instalado por personal habilitado según todo lo indicado en el presente manual y en conformidad con las normas y disposiciones de ley vigentes.

5.1 Traslado

El embalaje del quemador incluye la plataforma de madera, por lo tanto, es posible trasladar el quemador incluso cuando todavía está embalado, con carretilla transpalet o carretilla elevadora de horquillas.



ATENCIÓN

Las operaciones de traslado del quemador pueden ser muy peligrosas si no se realizan con la máxima atención: mantener lejos a los que no son encargados; controlar que los medios a disposición sean aptos y estén en buen estado. Debe comprobarse además, que la zona en la cual se trabaja esté libre de obstáculos y que exista una zona de escape suficiente, o sea una zona libre y segura a la cual poder desplazarse rápidamente en caso de que el quemador se cayera.

Durante el traslado mantener la carga a no más de 20-25 cm del piso.



PRECAUCIÓN

Tras la colocación del quemador cerca de la instalación, eliminar correctamente todos los residuos del embalaje diferenciando los diferentes tipos de materiales.

Antes de proceder con las operaciones de instalación, realizar una cuidadosa limpieza en toda el área destinada a la instalación del quemador.

5.2 Controles preliminares

Control del suministro



PRECAUCIÓN

Después de quitar todo el embalaje, asegurarse de que el contenido esté en buen estado. En caso de dudas no utilizar el quemador y dirigirse al proveedor.



Los elementos del embalaje (jaula de madera o caja de cartón, clavos, grapas, bolsas de plástico, etc.) no deben dejarse abandonados porque son potenciales fuentes de peligro y de contaminación, sino que se deben recoger y depositar en un lugar preparado para ese fin.

Control de las características del quemador

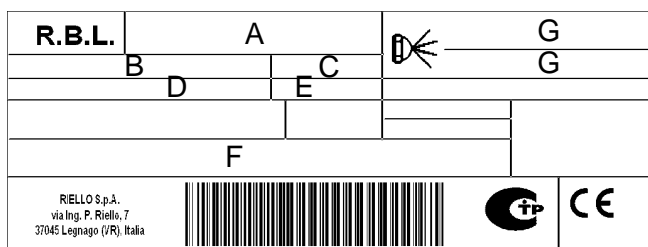


Fig. 5



ATENCIÓN

La potencia del quemador debe estar comprendida dentro del campo de trabajo de la caldera;



ATENCIÓN

La alteración, remoción, la ausencia de la placa de identificación del quemador y todo cuanto no permita la correcta identificación del quemador y dificulte los trabajos de instalación y mantenimiento.

Controlar la placa de identificación del quemador, en la cual figuran:

- el modelo (véase **A** en la Fig. 5) y el tipo de quemador (**B**);
- el año de fabricación criptografiado (**C**);
- el número de matrícula (**D**);
- la potencia eléctrica absorbida (**E**);
- los tipos de combustibles a usar y las correspondientes presiones de alimentación (**F**);
- los datos de potencia mínima y máxima posibles del quemador (**G**) (véase Gráfico caudal)

5.3 Placa de caldera

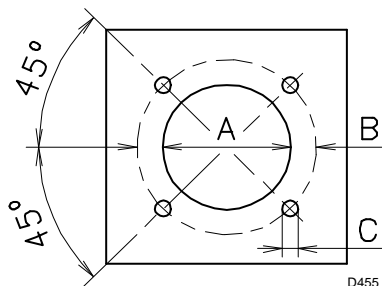


Fig. 6

Taladrar la placa de cierre de la cámara de combustión tal como se indica en (Fig. 6). La posición de los orificios roscados puede marcarse utilizando la junta aislante que se suministra con el quemador.

mm	A	B	C
RL 190	230	325-368	M 16

5.4 Longitud tubo llama

La longitud del tubo llama debe seleccionarse de acuerdo con las indicaciones del fabricante de la caldera y, en cualquier caso, debe ser mayor que el espesor de la puerta de la caldera completa, con el material refractario incluido. La longitud, L (mm), disponible es de 370 mm.

Para calderas con pasos de humos delanteros 12) o con cámara de inversión de llama, colocar una protección de material refractario 10) entre el refractario de la caldera 11) y el tubo de llama 9).

Esta protección debe permitir el desplazamiento del tubo de llama.

En calderas con frontal refrigerado por agua, no es necesario el revestimiento refractario 10)-11) (Fig. 7), salvo que lo indique el fabricante de la caldera.

5.5 Fijación del quemador a la caldera

Desmontar el tubo de llama 9) del quemador 6).

- Aflojar los 4 tornillos 3) y extraer la envolvente 1).
- Sacar los tornillos 2) de las dos guías 5).
- Sacar los dos tornillos 4) que fijan el quemador 6) a la brida 7).
- Extraer el tubo de llama 9) con la brida 7) y las guías 5).

Fijar la brida 7) (Fig. 7) a la placa de la caldera, intercalando la junta 8) (Fig. 7) que se suministra. Utilizar los 4 tornillos que se suministran, después de haber protegido la rosca con algún producto antibloqueo.

El acoplamiento del quemador con la caldera debe ser hermético.

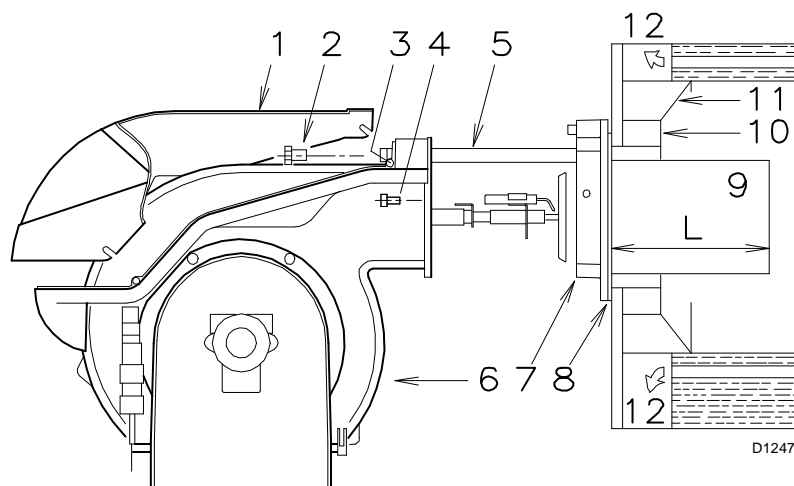


Fig. 7

5.6 Selección boquillas para 1ª y 2ª llama

Las dos boquillas deben elegirse entre las que figuran en la tabla (Tab. B)

La primera boquilla determina el caudal del quemador en 1ª llama.

La segunda boquilla funciona conjuntamente con la primera y entre las dos determinan el caudal del quemador en 2ª llama.

Los caudales de la 1ª y 2ª llama deben estar comprendidos entre los valores indicados en la pág. 6

Utilizar preferentemente boquillas con ángulo de pulverización de 60º y presión de 12 bar.

Generalmente, las dos boquillas son del mismo caudal, pero la de 1ª llama puede tener un caudal inferior al 50% del caudal total, cuando se desea reducir un poco la contrapresión en el momento del encendido (el quemador permite buenos valores de combustión incluso con relaciones 40-100% entre la 1ª y la 2ª llama).

Ejemplo:

Potencia caldera = 1630 kW - rendimiento 90 %

Potencia en quemador =

$$1630 : 0,9 = 1812 \text{ kW};$$

$$1812 : 2 = 906 \text{ kW por boquilla}$$

es decir, se necesitan dos boquillas iguales de 60º y 12 bar de presión:

$$1 = 18 \text{ GPH} - 2 = 18 \text{ GPH},$$

o bien dos boquillas diferentes:

$$1^\circ = 16 \text{ GPH} - 2^\circ = 20 \text{ GPH}.$$

GPH	kg/h (1)			kW 12 bar
	10 bar	12 bar	14 bar	
5,00	19,2	21,2	23,1	251,4
5,50	21,1	23,3	25,4	276,3
6,00	23,1	25,5	27,7	302,4
6,50	25,0	27,6	30,0	327,3
7,00	26,9	29,7	32,3	352,3
7,50	28,8	31,8	34,6	377,2
8,00	30,8	33,9	36,9	402,1
8,30	31,9	35,2	38,3	417,5
8,50	32,7	36,1	39,2	428,2
9,00	34,6	38,2	41,5	453,1
9,50	36,5	40,3	43,8	478,0
10,0	38,4	42,4	46,1	502,9
10,5	40,4	44,6	48,4	529,0
11,0	42,3	46,7	50,7	553,9
12,0	46,1	50,9	55,3	603,7
12,3	47,3	52,2	56,7	619,1
13,0	50,0	55,1	59,9	653,5
13,8	53,1	58,5	63,3	693,8
14,0	53,8	59,4	64,5	704,5
15,0	57,7	63,6	69,2	754,3
15,3	58,8	64,9	70,5	769,7
16,0	61,5	67,9	73,8	805,3
17,0	65,4	72,1	78,4	855,1
17,5	67,3	74,2	80,7	880,0
18,0	69,2	76,4	83,0	906,1
19,0	73,0	80,6	87,6	956,0
19,5	75,0	82,7	89,9	980,9
20,0	76,9	84,8	92,2	1005,8
21,5	82,7	91,2	99,1	1081,7
22,0	84,6	93,3	101,4	1106,6

Tab. B

(1) gasóleo: densidad 0,84 kg/dm³ - viscosidad 4,2 cSt/20°C - temperatura 10°C

5.7 Montaje de las boquillas

En este punto de la instalación, el quemador está todavía separado del tubo de llama; es, por tanto, posible montar la boquilla con la llave de tubo 1) (Fig. 8) (de 16 mm) después de haber retirado los tapones de plástico 2) (Fig. 8), pasando por la abertura central del disco estabilizador de llama. No utilizar productos de estanqueidad, como juntas, cinta o silicona. Tener cuidado en no dañar o rayar el asiento de estanqueidad de la boquilla. El apriete de la boquilla debe ser fuerte, pero sin llegar al esfuerzo máximo que permita la llave.

La boquilla de la 1a llama es la que está de bajo los electrodos de encendido (Fig. 9).

Comprobar que los electrodos estén posicionados como se indica en la (Fig. 9)

Por último, volver a montar el quemador 3) (Fig. 10) sobre las guías 2), desplazándolo hasta la brida 5), **manteniéndolo ligeramente levantado para evitar que el disco estabilizador de llama tropiece con el tubo de llama.**

Apretar los tornillos 1) de las guías 2) y los tornillos 4) que fijan el quemador a la brida.

Si fuese necesario sustituir una boquilla con el quemador ya instalado en la caldera, proceder del modo siguiente:

- Abrir el quemador sobre las guías como en (Fig. 7, pág. 10).
- Sacar las tuercas 1) (Fig. 11) y el disco 2)

- Sustituir la boquilla con la llave 3) (Fig. 11).

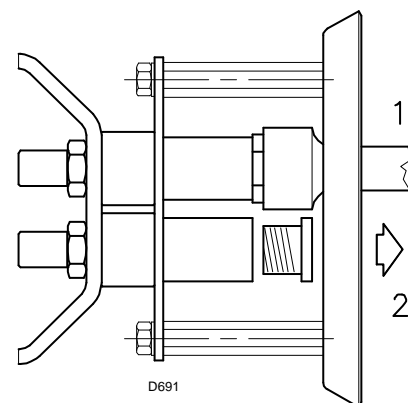


Fig. 8

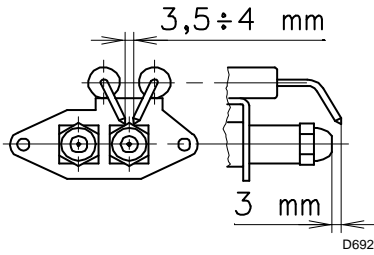


Fig. 9

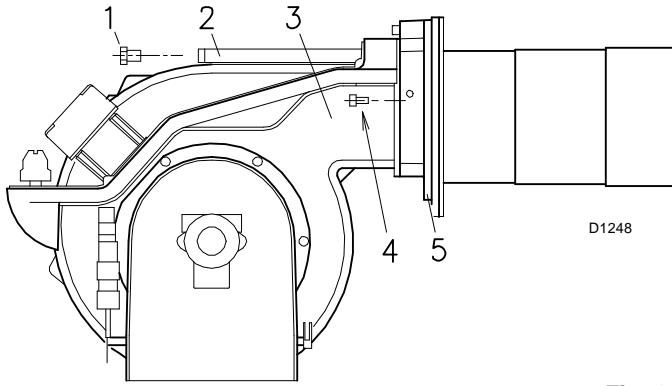


Fig. 10

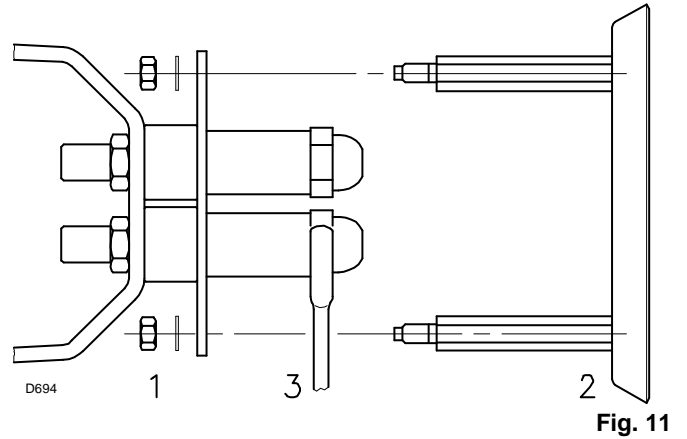


Fig. 11

5.8 Regulación del cabezal de combustión

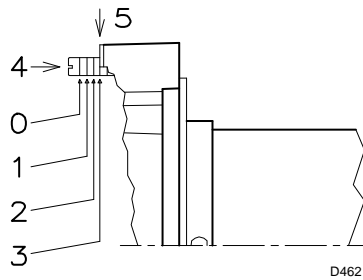


Fig. 12

La regulación del cabezal de combustión depende únicamente del caudal de combustible del quemador en 2ª llama, es decir, de la suma de los caudales de las dos boquillas seleccionadas en Tab. A

Girar el tornillo 4) (Fig. 12) hasta que coincida el número de posición indicado en el gráfico (Fig. 13) con el plano anterior de la brida 5) (Fig. 10, pág. 12).

Ejemplo:

RL 190 con dos boquillas de 18 GPH y presión de 12 bar en la bomba.

En la tabla hallar (Tab. A, pág. 7) el caudal de las dos boquillas de 18 GPH:

$$76,4 + 76,4 = 152,8 \text{ kg/h.}$$

El gráfico (Fig. 13) indica que para un caudal de 152,8 kg/h el quemador RL 190 necesita una regulación del cabezal de combustión en la posición 4 aproximadamente, tal como muestra la (Fig. 12)

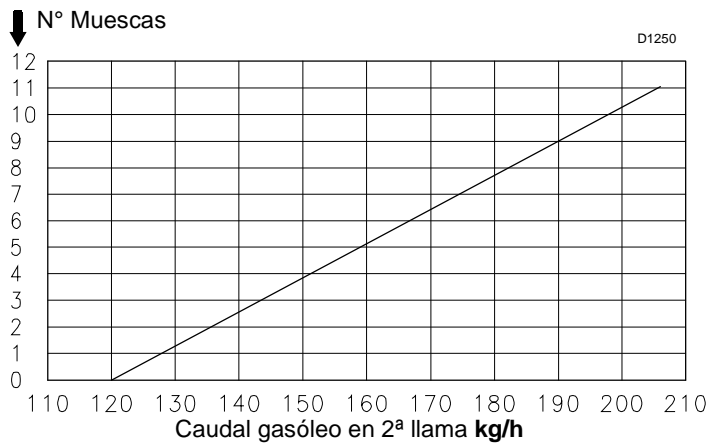


Fig. 13

6 Instalación eléctrica

Notas sobre la seguridad para las conexiones eléctricas

- Las conexiones eléctricas se deben realizar sin alimentación eléctrica.
- Las conexiones eléctricas deben ser realizadas por personal calificado y según las normas vigentes en el país de destino. Tomar como referencia los esquemas eléctricos
- **RIELLO** declina toda responsabilidad por modificaciones o conexiones diferentes a las que figuran en los esquemas eléctricos.
- No invertir el neutro con la fase en la línea de alimentación eléctrica. La inversión provocaría una parada en bloque por falta de encendido.
- Los quemadores RL 190 han sido homologados para funcionar de modo intermitente. Esto significa que deben pararse "por Norma" al menos una vez cada 24 horas para permitir que la caja de control efectúe un control de su eficacia en el arranque. Normalmente la detención del quemador está asegurada por el termostato/presostato de la caldera.
En caso contrario se debe aplicar en serie a IN un interruptor horario que pare el quemador como mínimo una vez cada 24 horas Tomar como referencia los esquemas eléctricos
- La seguridad eléctrica del aparato se alcanza solamente cuando el mismo está conectado correctamente a una instalación de puesta a tierra eficaz, realizada como está previsto por las normas vigentes. Es necesario controlar este requisito de seguridad fundamental. En caso de dudas, el personal habilitado deberá realizar un cuidadoso control de la instalación eléctrica.
- La instalación eléctrica debe ser apta para la potencia máxima absorbida del aparato, indicada en la placa y en el manual, asegurando en especial que la sección de los cables tenga la capacidad para la potencia absorbida del aparato.
- Para la alimentación general del aparato de la red eléctrica:
 - no usar adaptadores, tomas múltiples, alargadores;
 - prever un interruptor omnipolar con abertura entre los contactos de al menos 3 mm (categoría de sobreten-sión), como lo prevén las normativas de seguridad vigentes.
- No tocar el aparato con partes del cuerpo mojadas o húmedas y/o descalzo.
- No tirar los cables eléctricos.



PELIGRO

6.1 Instalación Eléctrica (de Fábrica)

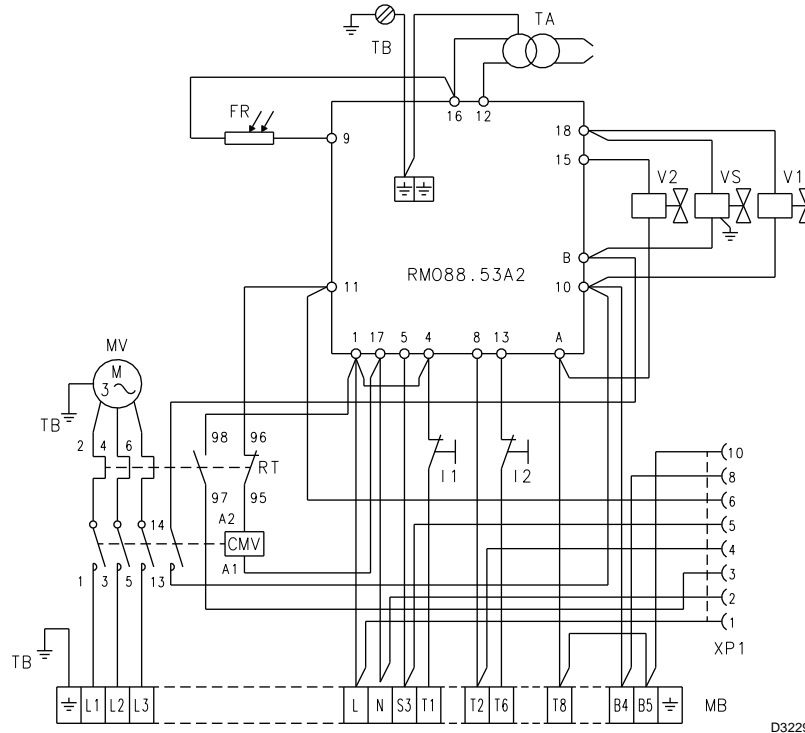


Fig. 14

Leyenda esquemas (Fig. 14)

- CMV - Contactor motor
- FR - Fotorresistencia
- I1 - Interruptor: "marcha/paro quemador"
- I2 - Interruptor: 1ª - 2ª llama
- MB - Regleta conexiones quemador
- MV - Motor ventilador
- RMO88.53A2 - Caja de control
- RT - Relé térmico
- TA - Transformador de encendido
- TB - Conexión a tierra quemador
- V1 - Electroválvula 1ª llama
- V2 - Electroválvula 2ª llama
- VS - Electroválvula de seguridad
- XP1 - Conector

NOTA:

Si fuese necesario tener el dispositivo de rearme a distancia, conectar un pulsador (NA) entre el borne 3 y el Neutro de la caja de control (bornes 15, 16, 17 y 18).

6.1.1 Conexiones eléctricas

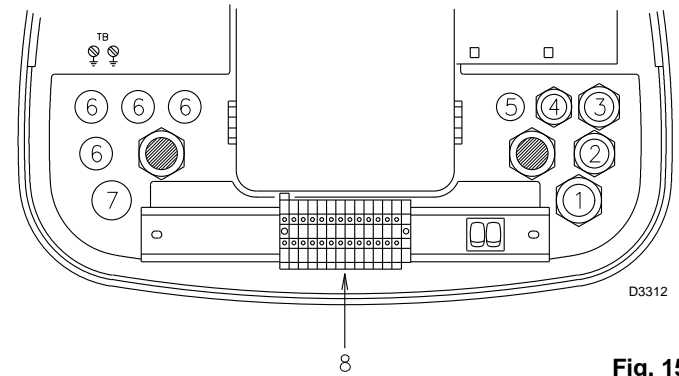


Fig. 15

A efectuar por el instalador

Utilizar cables flexibles según norma EN 60 335-1:

- si revestidos de PVC, usar al menos H05 VV-F
- si revestidos de goma, usar al menos H05 RR-F.

Todos los cables que vayan conectados a la regleta 8) (Fig. 15) del quemador, deben canalizarse a través de pasacables.

Los pasacables y orificios se pueden utilizar en diferentes maneras; a modo de ejemplo, indicamos la forma siguiente:

- 1 Pg 13,5 Alimentación trifásica
- 2 Pg 11 Alimentación monofásica
- 3 Pg 11 Termostato TL
- 4 Pg 9 Termostato TR
- 5 Pg 9 preparado para prensaestopas
- 6 Pg 11 preparado para prensaestopas
- 7 Pg 13,5 preparado para prensaestopas

Conexión eléctrico RL 190 alimentación trifásica 230/400 V con Neutro

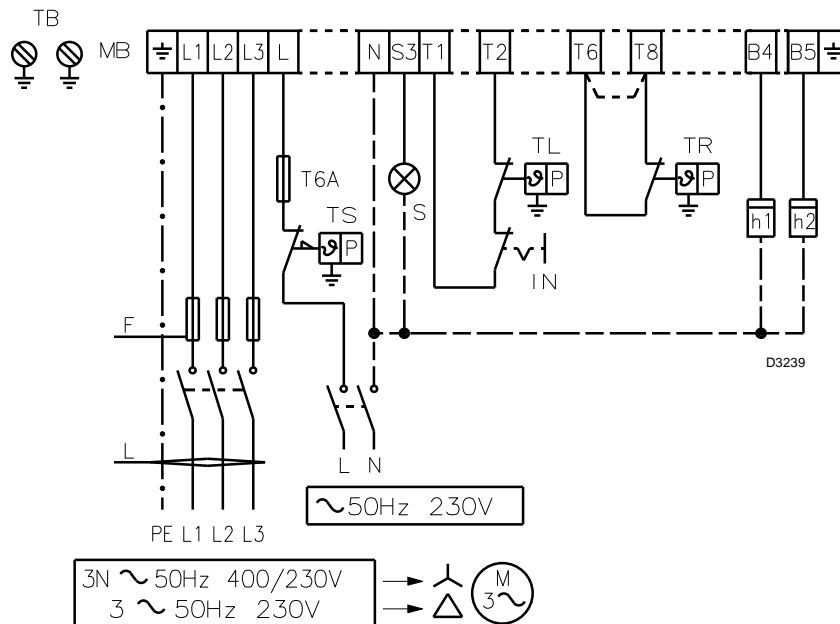


Fig. 16

		RL 190	
		230 V	400 V
F	A	T25	T25
L	mm ²	2,5	2,5

Modelo	Regulación relé térmico
RL 190 - 230 V	16 A
RL 190 - 400 V	9,5 A

Fusibles y sección cables esquema (Fig. 16) ver tabla.

Sección cables no indicada: 1,5 mm²

Leyenda esquemas (Fig. 16)

- H1 - Cuentahoras de 1a llama
- H2 - Cuentahoras de 2a llama
- IN - Interruptor paro manual quemador
- MB - Regleta conexiones quemador
- S - Señalización de bloqueo a distancia
- TB - Conexión a tierra quemador
- TL - Termostato de regulación máxima: provoca el paro del quemador cuando la temperatura en caldera supera el valor preestablecido.
- TR - Termostato de regulación: manda la 1ª y 2ª llama de funcionamiento. Indispensable sólo en el funcionamiento a dos llamas.
- TS - Termostato de seguridad: actúa en caso de avería TL.



ATENCIÓN

El quemador sale de la fábrica preparado para el funcionamiento billama y debe, por tanto, conectarse el termostato TR que manda la electroválvula V2 del gasóleo.

En cambio, si se desea que funcione a monollama, sustituir el termostato TR por un puente entre los bornes 5 y 6 de la regleta de conexiones.

NOTA:
El quemador RL 190 ha sido homologado para funcionar de nodo intermitente. Por eso se deben parar “por Norma” como mínimo una vez cada 24 horas para permitir que la caja de control efectúe una verificación de la eficacia al arranque. Normalmente, el paro del quemador está asegurado por el termostato de la caldera.

En caso contrario se debe aplicar en serie a IN un interruptor horario que pare el quemador como mínimo una vez cada 24 horas



ATENCIÓN

No invertir el neutro con la fase en la línea de alimentación eléctrica.

7 Instalación hidráulica

7.1 Alimentación de combustible

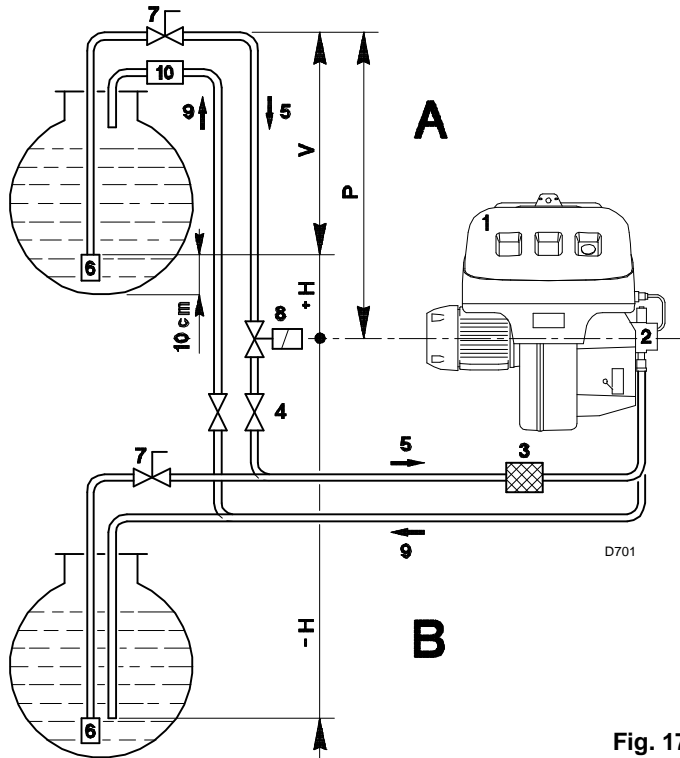


Fig. 17

Alimentación con dos tubos (Fig. 17)

El quemador va provisto de una bomba autocebable que es capaz de autoalimentarse, dentro de los límites que figuran en la tabla que hay al margen.

Depósito más elevado que el quemador A

La cota P no debe ser superior a 10 metros para no someter al retén de la bomba a una presión excesiva; y la cota V no debe ser superior a 4 metros para que la bomba pueda autocebarse, incluso con el depósito casi vacío.

Depósito más bajo que el quemador B

No se debe superar una depresión en la bomba de 0,45 bar (35 cm Hg). Con una depresión superior se gasificaría parte del combustible, la bomba haría ruido y se acortaría la vida de la misma. Es aconsejable que el tubo de retorno y el de aspiración entren en el quemador a la misma altura; de este modo es más difícil que se produzca un descebado del tubo de aspiración.

Alimentación en anillo

La alimentación en anillo está formada por un tubo que sale del depósito y retorna a él, con una bomba auxiliar que hace circular el combustible a presión. Una derivación del anillo alimenta al quemador. Este sistema es útil cuando la bomba del quemador no es capaz de autoalimentarse porque la distancia o el desnivel respecto al depósito son superiores a los valores indicados en la Tabla.

+ H - H (m)	L (m)		
	Ø (mm)		
	12	14	16
+ 4,0	71	138	150
+ 3,0	62	122	150
+ 2,0	53	106	150
+ 1,0	44	90	150
+ 0,5	40	82	150
0	36	74	137
- 0,5	32	66	123
- 1,0	28	58	109
- 2,0	19	42	81
- 3,0	10	26	53
- 4,0	-	10	25

Tab. C

Leyenda

- H = Desnivel bomba-válvula de fondo
- L = Longitud tubería
- Ø = Diámetro interior del tubo
- 1 = Quemador
- 2 = Bomba
- 3 = Filtro
- 4 = Llave de paso
- 5 = Conducto aspiración
- 6 = Válvula de pie
- 7 = Válvula manual de cierre rápido, con mando a distancia (sólo en Italia)
- 8 = Electroválvula de cierre (sólo en Italia)
- 9 = Conducto de retorno
- 10 = Válvula de retención (sólo en Italia)

7.2 Conexiones hidráulicas

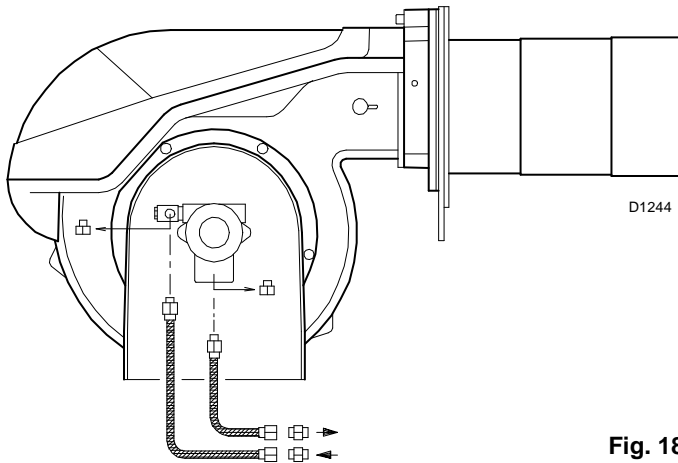


Fig. 18

Las bombas llevan un by-pass que comunica el retorno con la aspiración. Van instaladas en el quemador, con el by-pass cerrado por el tornillo 6) (Fig. 23, pág. 19).

Así pues, es necesario conectar los dos conductos a la bomba. Si hacemos funcionar la bomba con el retorno cerrado y el tornillo del by-pass colocado, se avería inmediatamente.

Retirar los tapones de las conexiones de aspiración y de retorno de la bomba.

En su lugar roscar los tubos flexibles con las juntas que se suministran.

Al montar los tubos flexibles, éstos no deben someterse a torsiones ni estiramientos.

Colocar los tubos de forma que no puedan ser pisados ni estén en contacto con superficies calientes de la caldera.

Por último, conectar el otro extremo de los tubos flexibles a los conductos de aspiración y de retorno mediante los enlaces que se suministran.

**BOMBA
SUNTEC J7 C**

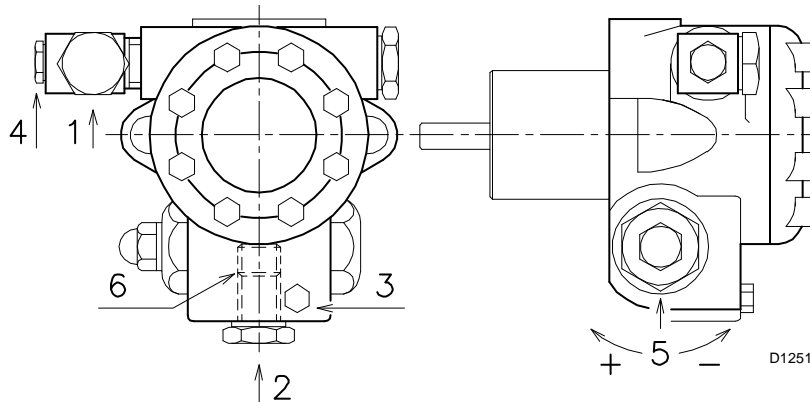


Fig. 19

7.3 Bomba

- 1 - Aspiración G 1/2"
- 2 - Retorno G 1/2"
- 3 - Conexión manómetro G 1/8"
- 4 - Conexión vacuómetro G 1/8"
- 5 - Regulación presión
- 6 - Tornillo by-pass
- A - Caudal mínimo a 12 bar de presión
- B - Campo de regulación presión de salida
- C - Depresión máxima en aspiración
- D - Campo de viscosidad
- E - Temperatura máxima gasóleo
- F - Presión máx. en aspiración y retorno
- G - Regulación de la presión en fábrica
- H - Ancho malla filtro

7.3.1 Cebado de la bomba

- Antes de poner en funcionamiento el quemador, asegurarse de que el tubo de retorno del depósito no esté obstruido. Un eventual obstrucción provocaría la rotura del retén del eje de la bomba. (La bomba sale de la fábrica con la válvula de by-pass cerrada).
- A fin de que la bomba pueda autocebarse, es indispensable aflojar el tornillo 3) (Fig. 19) de la bomba para purgar el aire que pueda haber en el tubo de aspiración.

- Poner en marcha el quemador cerrando los termostatos y con el interruptor 1) (Fig. 20 pág. 18) en la posición "MARCHA". La bomba debe girar en el sentido de la flecha que hay marcada en la cubierta.
- Cuando el gasóleo sale por el tornillo 3), es indicativo de que la bomba está cebada. Parar el quemador: interruptor 1) (Fig. 20 pág. 18) en posición "PARO" y apretar el tornillo 3).

El tiempo que se necesita para esta operación depende del diámetro y de la longitud del tubo de aspiración. Si la bomba no se ceba en el primer arranque y el quemador se bloquea, esperar unos 15 segundos, rearmar y repetir la operación de arranque tantas veces como sea necesario. Siga repitiendo la operación. Cada 5 ó 6 arranques, esperar 2 ó 3 minutos para que se enfríe el transformador.

No iluminar la resistencia para evitar que se bloquee el quemador; de todos modos, el quemador se bloqueará al cabo de unos 10 segundos del arranque.



ATENCIÓN

El operación indicada anteriormente es posible porque la bomba sale de fábrica llena de combustible. Si se ha vaciado la bomba, llenarla de combustible por el tapón del vacuómetro antes de ponerla en marcha, para evitar que se bloquee.

Cuando el tubo de aspiración tiene más de 20-30 metros de largo, rellenar el conducto con una bomba independiente.

8 Regulación del quemador

8.1 Encendido

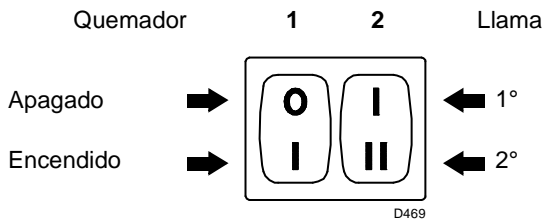


Fig. 20

Notas sobre la seguridad para la primera puesta en funcionamiento



La primera puesta en funcionamiento del quemador debe ser realizada por personal habilitado según todo lo indicado en el presente manual y en conformidad con las normas y disposiciones de ley vigentes.



Comprobar el correcto funcionamiento de los dispositivos de regulación, mando y seguridad.

Situar el interruptor 1) (Fig. 20) en la posición "MARCHA".

En el primer encendido, o en el momento de pasar de 1ª a 2ª llama, se produce una disminución momentánea de la presión del combustible como consecuencia de llenarse el tubo que alimenta la 2ª boquilla. Esta bajada de presión puede provocar el paro del quemador, acompañado, a veces, de pulsaciones.

Una vez efectuadas las regulaciones que se describen a continuación, el encendido del quemador debe producir un ruido similar al de funcionamiento. Si se advierten una o más pulsaciones, o un retardo en el encendido respecto a la abertura de la electroválvula del gasóleo, ver los consejos que se indican en la pág. 24 causas 34 ÷ 42

8.2 Funcionamiento

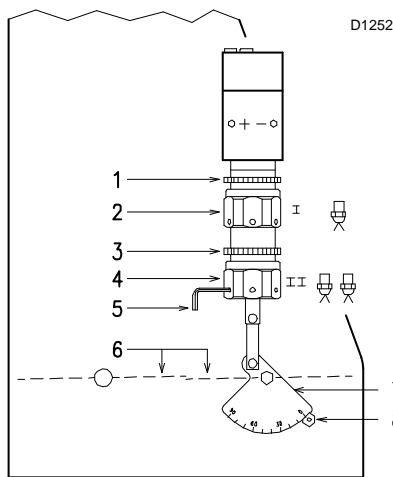


Fig. 21

Para el reglaje óptimo del quemador, es necesario efectuar un análisis de combustión a la salida de la caldera y actuar sobre los siguientes elementos.

► **Boquillas de 1ª y 2ª llama**

Ver lo indicado en la pág. 11.

► **Cabezal de combustión**

La regulación del cabezal que ya se ha efectuado, no necesita modificaciones si no se ha variado el caudal del quemador en 2ª llama.

► **Presión bomba**

12 bar: es la presión regulada en fábrica y la que, normalmente, se debe utilizar. A veces, puede ser necesario regularla a:

10 bar: para reducir el caudal de combustible. Es posible sólo si la temperatura ambiente permanece por encima de los 0 °C. Nunca bajar de 10 bar, ya que el hidráulico del aire podría abrirse con dificultad;

14 bar: para aumentar el caudal de combustible o para que el quemador se encienda bien incluso a temperaturas inferiores a 0° C.

Para variar la presión de la bomba, usar el tornillo 5)(pág. 17 Fig. 19)

► **Registro ventilador - 1ª llama**

Mantener el quemador funcionando en 1ª llama, situando el interruptor 2) (Fig. 20) en la posición 1ª llama. La abertura del registro 6) (Fig. 21) debe ser proporcional a la boquilla elegida: el índice 8) (Fig. 21) debe corresponderse con el número de posición que se indica en el sector graduado 7) (Fig. 21). El reglaje se efectúa girando el hexágono 2) (Fig. 21):

- hacia la derecha (signo -), la abertura disminuye;
- hacia la izquierda (signo +), la abertura aumenta.

		J7 C
A	kg/h	230
B	bar	10 - 21
C	bar	0,45
D	cSt	2,8 - 200
E	°C	90
F	bar	1,5
G	bar	12
H	mm	0,170

Tab. D

► **Registro ventilador - 2ª llama**

Situar el interruptor 2) (Fig. 20 pág. 18) en posición 2ª llama y regular el registro 6) (Fig. 21) actuando sobre el hexágono 4) (Fig. 21), después de haber aflojado la contratuerca 3) (Fig. 21)

NOTA:

para facilitar la regulación de los hexágonos 2) y 4) (Fig. 21), utilizar una llave hexagonal de 3 mm 5) (Fig. 21).

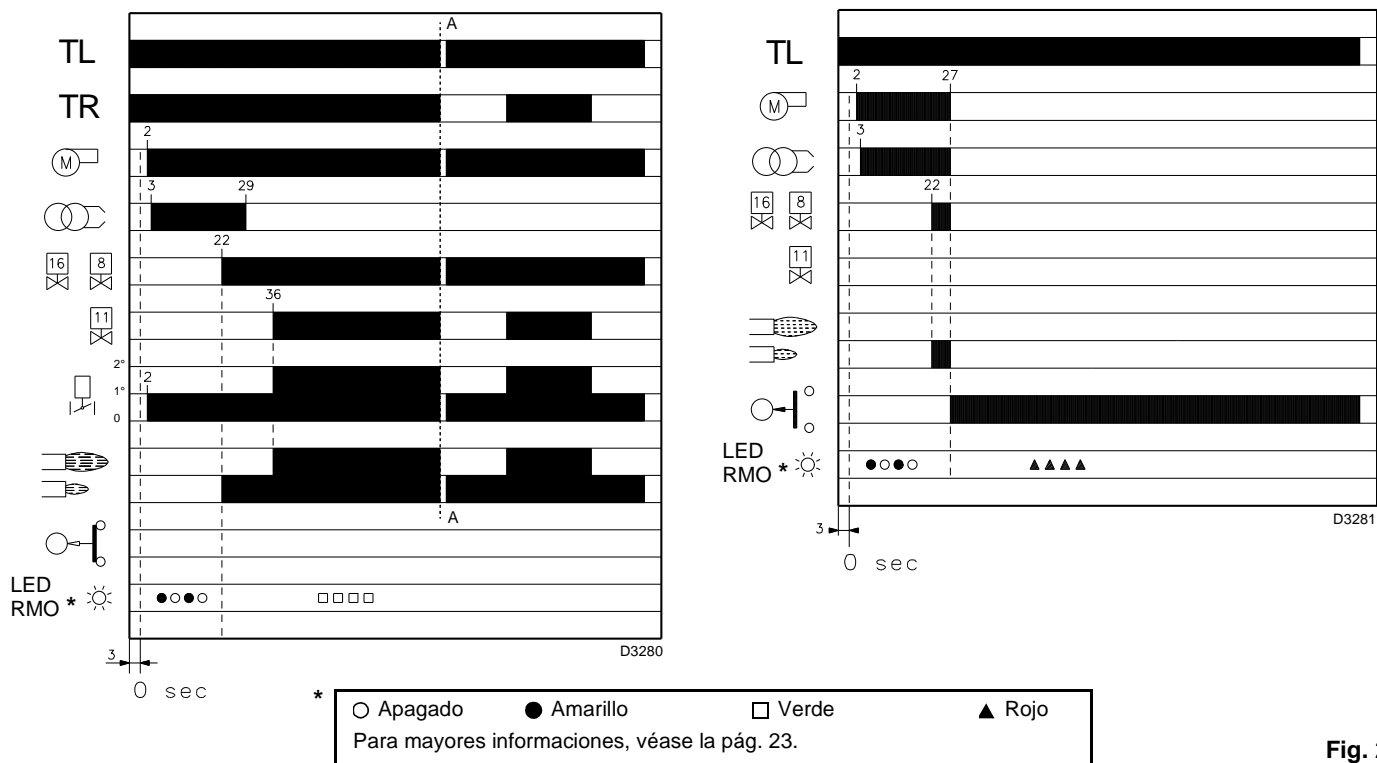
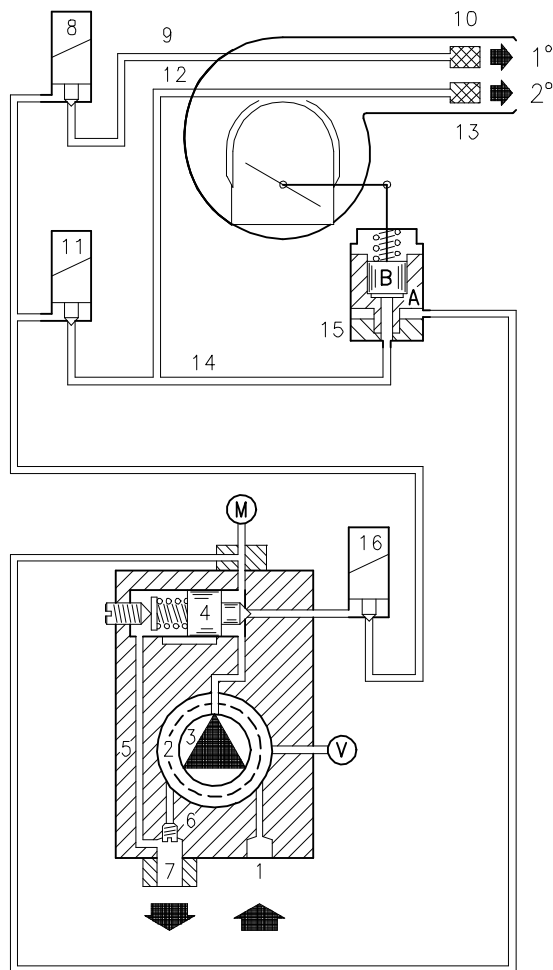


Fig. 22

8.2.1 Puesta en marcha del quemador



D1253

Fig. 23

Fases de puesta en marcha con los tiempos progresivos en segundos:

Se cierra el termostato TL.

Después de alrededor de 3 s:

- **0 s:** Inicia el programa de la caja de control.
 - **2 s:** Se pone en marcha el motor ventilador.
 - **3 s:** Se conecta el transformador de encendido.
La bomba 3) aspira el combustible del depósito a través del conducto 1) y del filtro 2) y lo bombea a presión. El pistón 4) se desplaza y el combustible regresa al depósito a través de los conductos 5) y 7). El tornillo 6) cierra el by-pass hacia la aspiración y las electroválvulas 8) -11) -16), desactivadas, cierran el paso hacia las boquillas.
El hidráulico del aire 15), pistón A, abre el registro de aire y efectúa la pre-ventilación con el caudal de aire de 1ª llama.
 - **22 s:** Se abren las electroválvulas 16) y 8); el combustible pasa por el conducto 9) atraviesa el filtro 10), y sale pulverizado por la boquilla y, al entrar en contacto con la chispa, se enciende la 1ª llama.
 - **29 s:** Se apaga el transformador de encendido.
 - **36 s:** Si el termostato TR está cerrado o ha sido sustituido por un puente, la electroválvula 11) de 2ª llama, activada, abre dos vías: una hacia el conducto 12), el filtro 13) y la boquilla de 2ª llama; y la otra hacia el hidráulico del aire 15), pistón B, que abre el registro de aire del ventilador en 2ª llama.
- Finaliza el ciclo de puesta en marcha.

8.2.2 Funcionamiento a régimen

Instalación con termostato TR

Finalizado el ciclo de puesta en marcha, el mando de la electroválvula de 2ª llama pasa al termostato TR, que controla la presión o la temperatura en caldera.

- Cuando la temperatura o la presión aumenta hasta la abertura del termostato TR, la electroválvula 11) se cierra y el quemador pasa de 2ª a 1ª llama.
- Cuando la temperatura o la presión disminuye hasta el cierre del termostato TR, la electroválvula 11) se abre y el quemador pasa de 1ª a 2ª llama.
Y así sucesivamente.
- El paro del quemador se produce cuando las necesidades de calor son menores que las generadas por el quemador en 1ª llama. El termostato TL se abre, las electroválvulas 8) y 16) se cierran y la llama se apaga repentinamente. El registro del aire del ventilador se cierra completamente.

Instalación sin termostato TR, sustituido por un puente

La puesta en marcha del quemador se hace del modo indicado anteriormente. Posteriormente, si la temperatura o la presión aumenta hasta la abertura del termostato TL, el quemador se apaga (segmento A-A del gráfico).

En el momento de desactivarse la electroválvula 11), el combustible que hay en el hidráulico del aire 15), pistón B, se descarga a través de la boquilla.

8.2.3 Falta de encendido

Si el quemador no se enciende, se produce el bloqueo del mismo en un tiempo máximo de 5 segundos desde la abertura de la electroválvula de la 1ª boquilla y 30 segundos después del cierre del termostato TL.

El piloto de la caja de control se ilumina.

8.2.4 Apagado de la llama durante el funcionamiento

Si la llama se apaga durante el funcionamiento del quemador, éste se bloquea en 1 segundo y efectúa un intento de ponerse en marcha, repitiendo el ciclo de arranque.

8.2.5 Controles finales

- **Obscurecer la fotorresistencia y cerrar los termostatos:** el quemador debe arrancar y luego bloquearse a unos 5 segundos aproximadamente de la abertura de la válvula de 1ª llama
- **Iluminar la fotorresistencia y cerrar los termostatos:** el quemador debe arrancar y, al cabo de unos 10 segundos, bloquearse.
- **Obscurecer la fotorresistencia con el quemador funcionando en 2ª llama y debe suceder lo siguiente en secuencia:** apagado de la llama en 1 segundo, ventilación durante 20÷28 segundos, chispa durante unos 5 segundos y bloqueo del quemador.
- **Abrir el termostato TL y luego el TS, con el quemador funcionando:** el quemador debe pararse.

9 Mantenimiento

Notas sobre la seguridad para el mantenimiento

El mantenimiento periódico es fundamental para el buen funcionamiento, la seguridad, el rendimiento y la duración del quemador.

Esto permite reducir los consumos, las emisiones contaminantes y mantener el producto confiable en el tiempo.



PELIGRO

Las intervenciones de mantenimiento y la calibración del quemador deben ser realizadas por personal habilitado y autorizado según todo lo indicado en el presente manual y en conformidad con las normas y disposiciones de ley vigentes.

Antes de realizar cualquier operación de mantenimiento, limpieza o control:



PELIGRO

• cortar la alimentación eléctrica del quemador con el interruptor general de la instalación;



PELIGRO

• cerrar la válvula de interceptación del combustible;

Combustión

Efectuar el análisis de los gases de combustión que salen de la caldera. Las diferencias significativas respecto al último análisis indicarán los puntos donde deberán centrarse las operaciones de mantenimiento.

Bomba

La presión de impulsión de la bomba debe ser estable a 12 bar.

La depresión debe ser inferior a 0,45 bar.

El ruido de la bomba no debe ser perceptible.

En caso de presión inestable o si la bomba hace ruido, desconectar el tubo flexible del filtro de línea y aspirar el combustible de un depósito situado cerca del quemador. Esta medida de precaución permite determinar si la causa de la anomalía es el tubo de aspiración o la bomba.

Si es la bomba, comprobar que su filtro no esté sucio. En efecto, como el vacuómetro está instalado antes del filtro, no muestra el estado de suciedad.

En cambio, si la causa de la anomalía está en el conducto de aspiración, comprobar que el filtro de línea no esté sucio o que entre aire en el conducto.

Filtros (Fig. 24)

Comprobar los cartuchos filtrantes:

- de línea 1)
- de la bomba 2)
- de la boquilla 3), limpiarlos o sustituirlos.

Si en el interior de la bomba se aprecia oxidación u otras impurezas, aspirar del fondo del depósito con una bomba independiente, el agua y los lodos que eventualmente se hayan depositado.

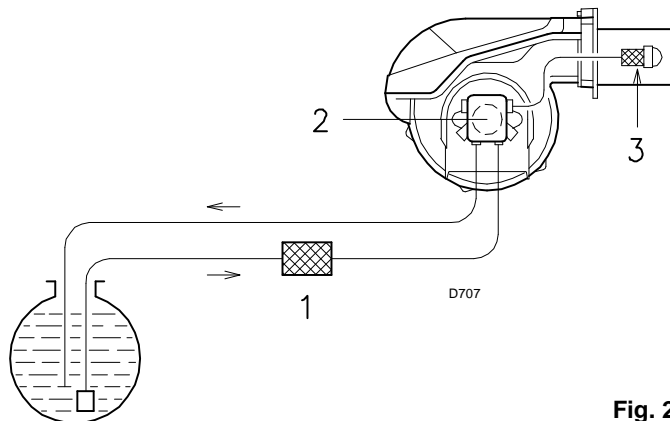


Fig. 24

Ventilador

Verificar que no se haya acumulado polvo en el interior del ventilador ni en las palas de la turbina: reduce el caudal de aire, provocando una combustión defectuosa.

Cabezal de combustión

Verificar que todas las partes del cabezal estén intactas o sea no estén deformadas por las altas temperaturas, no tengan suciedad proveniente del ambiente y estén correctamente posicionadas.

Boquillas

No intentar limpiar el orificio de las boquillas.

Sustituir las boquillas cada 2 ó 3 años, o cuando sea necesario. Cuando se sustituyan, debe efectuarse un análisis de combustión.

Fotorresistencia (Fig. 25)

Limpiar el polvo depositado en el cristal. Para extraer la fotorresistencia 1), tirar hacia afuera.

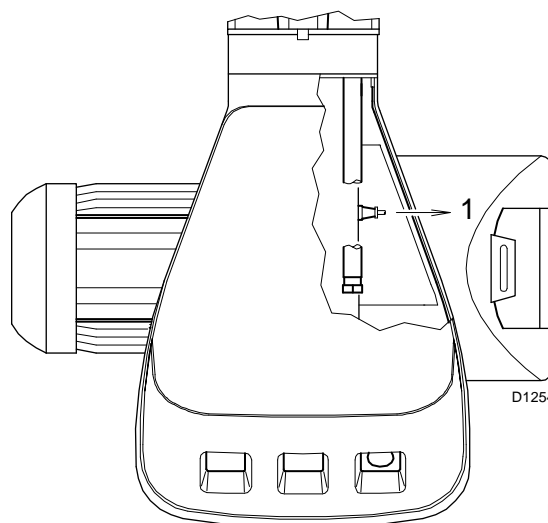


Fig. 25

Visor llama (Fig. 26)

Limpiar el cristal.

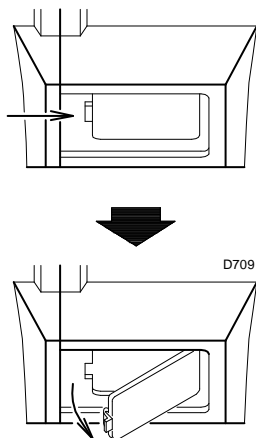


Fig. 26

Tubos flexibles

Comprobar que estén en buenas condiciones.

Depósito de combustible

Cada 5 años, aproximadamente, aspirar el agua del fondo del depósito con una bomba independiente.

Caldera

Limpiar la caldera de acuerdo con las instrucciones que la acompañan, con el fin de mantener intactas las características de combustión originales, en especial la presión en la cámara de combustión y las temperaturas de los humos.

Para abrir el quemador (Fig. 27)

- Interrumpir la alimentación eléctrica
- Aflojar los tornillos 1) y extraer la envolvente 2)
- Desenroscar los tornillos 3)
- Montar los 2 prolongadores 4) que se suministran con las guías 5)
- Desplazar la parte A, manteniéndola ligeramente levantada para no dañar el disco estabilizador 6) del tubo de llama 7).

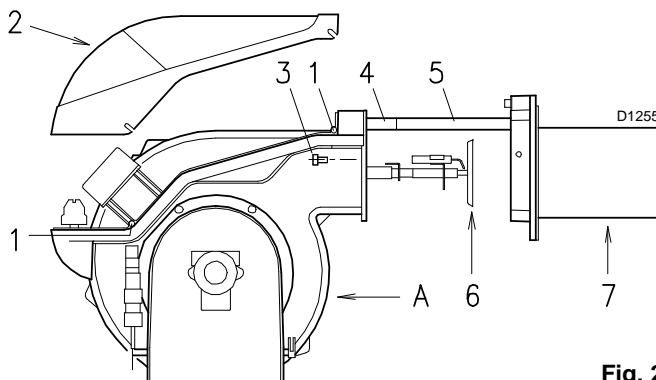


Fig. 27

9.1 Diagnóstico del programa de puesta en marcha

Durante el programa de puesta en marcha, en la siguiente tabla se indican las explicaciones:

Tabla código color	Código color
Secuencias	Código color
Preventilación	● ○ ● ○ ● ○ ● ○ ●
Etapa de encendido	● ○ ● ○ ● ○ ● ○ ●
Funcionamiento con llama ok	□ □ □ □ □ □ □ □ □
Funcionamiento con señal de llama débil	□ ○ □ ○ □ ○ □ ○ □
Alimentación eléctrica inferior que ~ 170V	● ▲ ● ▲ ● ▲ ● ▲ ●
Bloqueo	▲ ▲ ▲ ▲ ▲ ▲ ▲ ▲ ▲
Luz extraña	▲ □ ▲ □ ▲ □ ▲ □ ▲
Leyenda:	○ Apagado ● Amarillo □ Verde ▲ Rojo

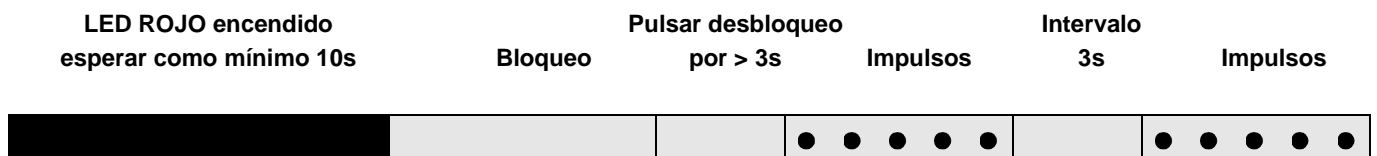
9.2 Desbloqueo de la caja de control y uso de la función de diagnóstico

La caja de control suministrada tiene una función de diagnóstico con la que es posible individuar fácilmente las posibles causas de un problema de funcionamiento (señalización: **LED ROJO**).

Para utilizar dicha función hay que esperar 10 segundos como mínimo desde el momento de la puesta en condición de seguridad (**bloqueo**), y luego oprimir el botón de desbloqueo.

La caja de control genera una secuencia de impulsos (cada 1 segundo) que se repite a intervalos constantes de 3 segundos.

Una vez visualizado el número de parpadeos e identificada la posible causa, hay que restablecer el sistema, manteniendo apretado el botón durante un tiempo comprendido entre 1 y 3 segundos.



A continuación se mencionan los métodos posibles para desbloquear la caja de control y para usar las funciones de diagnóstico.

9.3 Desbloqueo de la caja de control

Para desbloquear la caja de control, proceda de la siguiente manera:

- Presione el botón durante un tiempo comprendido entre 1 y 3 segundos.
El quemador arranca después de 2 segundos de haber soltado el botón.
Si el quemador no arranca, hay que controlar el cierre del termostato límite.

9.4 Diagnóstico visual

Indica el tipo de desperfecto del quemador que produce el bloqueo.

Para ver el diagnóstico, proceda de la siguiente manera:

- Mantenga apretado el botón durante más de 3 segundos desde el momento en que el led rojo se encendió (bloqueo del quemador). El final de la operación será indicado por un parpadeo amarillo.
Suelte el botón cuando se produzca dicho parpadeo. El número de parpadeos indica la causa del problema de funcionamiento, según el código que se indica en la tabla de la pág. 24

9.5 Diagnóstico software

Suministra el análisis de la vida del quemador mediante una conexión óptica al PC, indicando las horas de funcionamiento, número y tipos de bloqueos, número de serie de la caja de control, etc.

Para ver el diagnóstico, proceda de la siguiente manera:

- Mantenga apretado el botón durante más de 3 segundos desde el momento en que el led rojo se encendió (bloqueo del quemador).

El final de la operación será indicado por un parpadeo amarillo.

Suelte el botón durante 1 segundo y luego oprímalo de nuevo durante más de 3 segundos hasta que se produzca otro parpadeo amarillo.

Al soltar el botón, el led rojo parpadeará intermitentemente con una frecuencia elevada: sólo en este momento se podrá conectar la conexión óptica.

Al concluir la operación hay que restablecer las condiciones iniciales de la caja de control, siguiendo los pasos de desbloqueo antes dichos.

Presión del botón	Estado de la caja de control
De 1 a 3 segundos	Desbloqueo de la caja de control sin visualización del diagnóstico visual.
Más de 3 segundos	Diagnóstico visual de la condición de bloqueo: (el led parpadea cada 1 segundo).
Más de 3 segundos desde la condición de diagnóstico visual	Diagnóstico software mediante la ayuda de la interfaz óptica y PC (posibilidad de visualizar las horas de funcionamiento, desperfectos, etc.)

La secuencia de los impulsos emitidos por la caja de control identifica los posibles tipos de avería que se mencionan en la pág. 24

SEÑAL	ANOMALÍA	CAUSA PROBABLE	SOLUCIÓN
Ningún parpadeo	El quemador no se pone en marcha	1 - No hay suministro eléctrico 2 - Termostato de regulación máxima TL abierto 3 - Termostato de seguridad TS abierto 4 - Bloqueo caja de control 5 - Bloqueo bomba 6 - Conexiones eléctricas incorrectas 7 - Caja de control defectuosa 8 - Motor eléctrico defectuoso	Cerrar los interruptores; verificar los fusibles Regularlo o sustituirlo Regularlo o sustituirlo Desbloquearla (10 seg. después del bloqueo) Sustituirla Comprobarla Sustituirla Sustituirla
2 impulsos ● ●	Superado el prebarrido y el tiempo de seguridad, el quemador se bloquea sin aparecer la llama	9 - Falta combustible en el depósito o hay agua en el fondo 10 - Cabezal y registro de aire mal regulados 11 - Electroválvulas gasóleo no abren (1ª llama o seguridad) 12 - Boquilla 1ª llama obturada, sucia o deformada 13 - Electrodo de encendido mal regulados o sucios 14 - Electrodo a masa por aislante roto 15 - Cable alta tensión defectuoso o a masa 16 - Cable alta tensión deformado por alta temperatura 17 - Transformador de encendido defectuoso 18 - Conex. eléctricas válvulas o transformador incorrecto . 19 - Caja de control defectuosa 20 - Bomba descebada 21 - Acoplamiento motor-bomba roto 22 - Aspiración bomba conectada al tubo de retorno 23 - Válvulas antes de la bomba cerradas 24 - Filtros sucios (de línea -de bomba -de boquilla) 25 - Sustituir fotorresistencia o caja de control 26 - Fotorresistencia sucia 27 - 1ª llama del hidráulico defectuosa 28 - Bloqueo motor 29 - Interruptor mando motor defectuoso 30 - Alimentación eléctrica a dos fases. actúa el relé térmico 31 - Motor gira en sentido contrario	Rellenar de combustible o aspirar el agua Regularlas, véase pág. 12 y pág. 18 Comprobar conexiones; sustituir bobina Sustituirla Regularlos o limpiarlos Sustituirla Sustituirla Sustituirla y protegerlo Sustituirla Comprobarla Sustituirla Cebada la bomba Sustituirla Corregir conexión Abrirlas Limpiarlos Sustituir fotorresistencia o caja de control Limpiarla Sustituir hidráulico Desbloquear el relé térmico Sustituirla Actúa el relé térmico cuando vuelva la tercera fase Cambiar el conexionado eléctrico del motor
4 impulsos ● ● ● ●	El quemador se pone en marcha y luego se bloquea	32 - Fotorresistencia en cortocircuito 33 - Luz externa o simulación de llama	Sustituir la fotorresistencia Eliminar luz o sustituir caja de control

SEÑAL	ANOMALÍA	CAUSA PROBABLE	SOLUCIÓN
7 impulsos ● ● ● ● ● ● ●	Desprendimiento llama	34 - Cabezal mal regulado 35 - Electrodo de encendido mal regulados o sucios 36 - Registro ventilador mal regulado: demasiado aire 37 - 1ª boquilla demasiado grande (pulsaciones) 38 - 1ª boquilla pequeña (desprendimiento llama) 39 - 1ª boquilla sucia o deformada 40 - Presión bomba inadecuada 41 - Boquilla 1ª llama inadecuada para quemador o caldera. 42 - Boquilla 1ª llama defectuosa	Regularlos, véase pág. 12, Fig. 13 Regularlos, véase pág. 12, Fig. 9 o limpiarlos Regularlo Reducir el caudal de la 1ª boquilla Aumentar el caudal de la 1ª boquilla Sustituirlo Regularla: entre 10 y 14 bar Ver Tabla boquilla, pág. 11, reducir boq 1ª llama Sustituirlo
	El quemador no pasa a 2ª llama	43 - Termostato TR no cierra 44 - Caja de control defectuosa 45 - Bobina electroválvula 2ª llama defectuosa	Regularlo o sustituirlo Sustituirla Sustituirla
	El combustible pasa a 2ª llama y el aire se queda en la 1ª llama.	46 - Presión bomba es baja 47 - 2ª llama del hidráulico defectuosa	Aumentarla Sustituir hidráulico
	El quemador se para al pasar de 1ª a 2ª llama y de 2ª a 1ª. El quemador repite el ciclo de arranque.	48 - Boquilla sucia 49 - Fotorresistencia sucia 50 - Demasiado aire	Sustituirlo Limpiarla Reducirlo
	Alimentación de combustible irregular	51 - Comprobar si la causa está en la bomba o en la instalación de alimentación	Alimentar el quemador desde un depósito situado cerca del quemador.
	Pompa arruginita internamente	52 - Agua en el depósito	Aspirarla del fondo depósito con una bomba
	La bomba hace ruido; presión pulsante	53 - Entrada de aire en el tubo de aspiración - Depresión demasiado alta (superior a 35 cm Hg): 54 - Desnivel quemador-depósito demasiado grande 55 - Diámetro tubo demasiado pequeño 56 - Filtros en aspiración sucios 57 - Válvulas en aspiración cerradas 58 - Solidificación parafina por baja temperatura	Apretar los rácores Alimentar el quemador con circuito en anillo Aumentarlo Limpiarlos Abrirlas Añadir aditivo al gasóleo
	La bomba está descebada después de un paro prolongado	59 - Tubo de retorno no inmerso en el combustible 60 - Entrada de aire en el tubo de aspiración	Situarlo a misma altura que tubo de aspiración Apretar los rácores
	La bomba pierde gasóleo	61 - Fuga por el retén	Sustituir bomba
	Llama con humo - Bacharach oscuro - Bacharach amarillo	62 - Poco aire 63 - Boquilla sucia o desgastada 64 - Filtro boquilla sucio 65 - Presión bomba incorrecta 66 - Espiral estabilizador llama sucia, floja o deformada 67 - Abertura ventilación sala caldera insuficiente 68 - Demasiado aire	Regular el cabezal y el registro del aire, véase pág. 12 y pág. 18 Sustituirlo Limpiarlo o sustituirlo Regularla: entre 10 y 14 bar Limpiarla, apretarla o sustituirla Agrandarla Regular el cabezal y el registro del aire, véase pág. 12 y pág. 18
	Cabezal de combustión sucio	69 - Boquilla u orificio boquilla sucio 70 - Ángulo o caudal boquilla inadecuado 71 - Boquilla floja 72 - Impurezas del ambiente en espiral estabilizador 73 - Regulación cabezal incorrecta o poco aire 74 - Longitud tubo de llama inadecuado para la caldera	Sustituirlo Véase las boquillas aconsejadas, pág. 11 Apretarla Limpiarla Regularlas, véase pág. 18, abrir registro del aire Consultar con el fabricante de la caldera
10 impulsos ● ● ● ● ● ● ● ● ● ●	El quemador se bloquea	75 - Error de conexión o avería interna 76 - Presencia de perturbaciones electromagnéticas	Utilizar el kit protección contra las interferencias radio

1	Declarações	2
2	Informações e advertências gerais	3
2.1	Informações do manual de instruções	3
2.1.1	Perigos Genéricos	3
2.1.2	Perigo Componentes sob tensão	3
2.2	Garantia e responsabilidade	4
3	Segurança e prevenção	5
3.1	Premissa	5
3.2	Treinamento do pessoal	5
4	Descrição técnica do queimador	6
4.1	Dados técnicos	6
4.1.1	Acessórios (por encomenda)	6
4.1.2	Versões construtivas	6
4.2	Descrição do queimador	7
4.2.1	Peso - medidas aproximadas	7
4.2.2	Dimensões Máximas - medidas aproximadas	8
4.2.3	Forma de fornecimento	8
4.3	Campo de trabalho	8
4.3.1	Caldeira de ensaio	8
5	Instalação	9
5.1	Movimentação	9
5.2	Controlos preliminares	9
5.3	Placa da caldeira	10
5.4	Comprimento do tubo de fogo	10
5.5	Fixação do queimador à caldeira	10
5.6	Seleção das boquilhas para 1ª e 2ª chama	11
5.7	Montagem das boquilhas	11
5.8	Regulação do cabeçal de combustão	12
6	Instalação eléctrica	13
6.1	Instalação Eléctrica (Efectuada na Fábrica)	14
6.1.1	Ligações eléctricas	14
7	Instalação hidráulica	16
7.1	Alimentação de combustível	16
7.2	Ligações hidráulicas	17
7.3	Bomba	17
7.3.1	Alimentação da bomba	17
8	Regulação do queimador	18
8.1	Acendimento	18
8.2	Funcionamento	18
8.2.1	Arranque do queimador	19
8.2.2	Funcionamento a regime	20
8.2.3	Falta de acendimento	20
8.2.4	Extinção da chama durante o funcionamento	20
8.2.5	Controlos finais	20
9	Manutenção	21
9.1	Diagnóstico programa de arranque	23
9.2	Desbloqueio do equipamento e utilização do diagnóstico	23
9.3	Desbloqueio do equipamento	23
9.4	Diagnóstico visual	23
9.5	Diagnóstico software	24

1 Declarações

Declaração de conformidade conforme a norma ISO / IEC 17050-1

Fabricante: RIELLO S.p.A.
 Endereço: Via Pilade Riello, 7
 37045 Legnago (VR)
 Produto: Queimador a gasóleo
 Modelo: RL 190

Esses produtos são conformes às seguintes Normas Técnicas:

EN 267

EN 12100

e de acordo com as disposições das Directivas Europeias:

MD	2006/42/CE	Directiva Máquinas
LVD	2006/95/CE	Directiva Baixa Tensão
EMC	2004/108/CE	Compatibilidade Electromagnética

Tais produtos são marcados como indicado a seguir:



CE-05 07 90223 001

A qualidade é garantida mediante um sistema de qualidade e gestão certificado segundo UNI EN ISO 9001.

Declaração do fabricante

RIELLO S.p.A. declara que os seguintes produtos respeita os valores limite dos NOx impostos pela normativa alemã "1. BImSchV versão 26.01.2010".

Produto	Tipo	Modelo	Potência
Queimador a gasóleo	673 T1	RL 190	759 - 2443 kW

Legnago, 10.10.2013

Director Executivo
 RIELLO S.p.A. - Direcção Queimadores
 Eng. G. Conticini

Director de Pesquisa e Desenvolvimento
 RIELLO S.p.A. - Direcção Queimadores
 Eng. R. Cattaneo

2 Informações e advertências gerais

2.1 Informações do manual de instruções

Introdução

O manual de instrução fornecido junto com o queimador:

- é parte integrante e essencial do produto e não deve ser separado do mesmo; portanto, deve ser conservado com cuidado caso se necessite consultá-lo, e deve acompanhar o queimador se este for cedido a um outro proprietário ou usuário, ou em caso de transferência a um outro estabelecimento. Em caso de dano ou perda, de ser pedido um outro exemplar ao Serviço de Assistência Técnica **RIELLO** de Zona;
- foi realizado para ser utilizado por pessoal qualificado;
- fornece importantes indicações e advertências sobre a segurança na instalação, a colocação em funcionamento, o uso e a manutenção do queimador.

Simbologia utilizada no manual

Em algumas partes do manual são presentes sinais triangulares de PERIGO. Prestar muita atenção a eles, pois sinalizam uma situação de potencial perigo.

2.1.1 Perigos Genéricos

Os **perigos** podem ser de **3 níveis**, como indicado a seguir.



PERIGO

Máximo nível de perigo!

Esse símbolo indica operações que, se não correctamente realizadas, **causam** graves lesões, morte ou riscos a longo prazo para a saúde.



ATENÇÃO

Esse símbolo indica operações que, se não correctamente realizadas, **podem causar** graves lesões, morte ou riscos a longo prazo para a saúde.



CUIDADO

Esse símbolo identifica operações que, se não correctamente realizadas, **podem causar** danos à máquina e/ou à pessoa.

2.1.2 Perigo Componentes sob tensão



PERIGO

Esse símbolo identifica operações que, se não correctamente realizadas, causam choques eléctricos com consequências mortais.

Outros símbolos



TUTELA AMBIENTAL

Esse símbolo fornece indicações para o uso da máquina no respeito do ambiente.

- Esse símbolo identifica um elenco.

Abreviações utilizadas

Cap.	Capítulo
Fig.	Figura
Pág.	Página
Sec.	Secção
Tab.	Tabela

Entrega da instalação e do manual de instruções

Por ocasião da entrega da instalação, é necessário que:

- O manual de instruções seja entregue pelo fornecedor da instalação ao usuário, com a advertência que este seja conservado no local de instalação do gerador de calor.
- No manual de instruções estão indicados:
 - o número de matrícula do queimador;
 - o endereço e o número de telefone do Centro de Assistência mais próximo;
- O fornecedor da instalação deve informar o usuário atentamente sobre:
 - o uso da instalação,
 - os eventuais ulteriores testes que forem necessários antes da activação da instalação,
 - a manutenção e a necessidade de submeter a instalação pelo menos uma vez por ano ao controlo de um funcionário do Construtor ou por um outro técnico especializado.

Para garantir um controlo periódico, **RIELLO** recomenda-se a estipulação de um Contrato de Manutenção.

2.2 Garantia e responsabilidade

RIELLO garante os seus produtos novos a partir da data da instalação, de acordo com as normativas vigentes e/ou o contrato de venda. Verificar, no momento do primeiro funcionamento, que o queimador esteja íntegro e completo.



ATENÇÃO

A falta de observação do que está previsto neste manual, a negligência operativa, uma errada instalação e a realização de modificações não autorizadas são causas de anulação, por parte de **RIELLO**, da garantia que esta dá ao queimador.

Em especial, os direitos à garantia e à responsabilidade decaem em caso de danos a pessoas e/ou coisas, se os danos forem causados por uma ou mais das seguintes causas:

- instalação, colocação em funcionamento, uso e manutenção do queimador não correctos;
- uso impróprio, erróneo e não razoável do queimador;
- intervenção de pessoal não habilitado;
- realização de modificações não autorizadas ao aparelho;
- uso do queimador com dispositivos de segurança defeituosos, aplicados de modo errado e/ou que não funcionem;
- instalação de componentes suplementares não testados juntamente com o queimador;
- alimentação do queimador com combustíveis não adequados;
- defeitos no sistema de alimentação do combustível;
- uso do queimador também depois de se verificar a presença de um erro e/ou uma anomalia;
- reparações e/ou revisões realizadas erroneamente;
- modificação da câmara de combustão mediante a introdução de elementos que impeçam o regular funcionamento da chama, conforme o previsto na construção;
- insuficiente e não adequado controlo e cuidado dos componentes do queimador, mais sujeitos ao desgaste;
- uso de componentes não originais **RIELLO**, sejam essas peças sobresselentes, quitas, acessórios e componentes opcionais;
- causas de força maior.

RIELLO além disso, declina toda e qualquer responsabilidade pela não observação do conteúdo do presente manual.

3 Segurança e prevenção

3.1 Premissa

Os queimadores **RIELLO** foram projectados e construídos de acordo com as normas e directivas vigentes, aplicando as regras técnicas de segurança conhecidas e prevendo todas as potenciais situações de perigo.

Todavia, é necessário considerar que o uso imprudente e inábil do aparelho pode causar situações de perigo e morte para o usuário ou terceiros, bem como danos ao queimador e a outros bens. A distração, a imprudência e a exagerada familiaridade são muitas vezes causa de infortúnios; igualmente o cansaço e a sonolência.

É oportuno tomar em consideração o seguinte:

- O queimador deve ser destinado somente ao uso para o qual foi expressamente realizado. Qualquer outro uso deve ser considerado impróprio e, portanto, perigoso.
Em particular:
pode ser aplicado a caldeiras a água, vapor e óleo diatérmico, e para outros usos expressamente previstos pelo construtor;
o tipo e a pressão do combustível, a tensão e a frequência da corrente eléctrica de alimentação, as capacidades mínimas e máximas de acordo com as quais o queimador é regulado, a pressurização da câmara de combustão, as dimensões da câmara de combustão, a temperatura ambiente devem estar dentro dos valores indicados no manual de instrução.
- Não é consentido modificar o queimador para alterar as prestações e os destinos.
- O uso do queimador deve ocorrer em perfeitas condições de segurança técnica. Eventuais obstáculos que possam comprometer a segurança devem ser tempestivamente eliminados.
- Não é consentido abrir ou violar os componentes do queimador, excepto as partes previstas na manutenção.
- São substituíveis exclusivamente as partes previstas pelo construtor.

3.2 Treinamento do pessoal

O usuário é a pessoa, o ente ou a empresa que adquiriu a máquina e tem a intenção de usá-la para os usos adequados ao seu escopo. É sua a responsabilidade da máquina e do treinamento de todos os que operam ao seu redor.

O usuário:

- empenha-se a confiar a máquina somente a pessoal qualificado e treinado para o seu escopo;
- deve tomar todas as medidas necessárias para evitar que pessoas não autorizadas tenham acesso à máquina;
- empenha-se a informar o próprio pessoal de forma adequada sobre a aplicação e observância das prescrições de segurança. Por isso, empenha-se para que todos conheçam as instruções de uso e as prescrições de segurança para as próprias funções;
- deve informar o Construtor caso encontre defeitos ou mau-funcionamentos dos sistemas anti-infortunisticos, bem como qualquer situação de presunto perigo.
- O pessoal deve usar sempre meios de protecção individuais previstos pela legislação e seguir o conteúdo do presente manual.
- O pessoal deve observar todas as indicações de perigo e cautela assinaladas na máquina.
- O pessoal não deve realizar, de própria iniciativa, acções ou operações que não sejam de sua competência.
- O pessoal tem a obrigação de informar o próprio superior de todo e qualquer problema ou situação perigosa que ocorra.
- A montagem das peças de outras marcas ou eventuais modificações podem variar as características da máquina e, portanto, prejudicar a segurança operacional. O Construtor, portanto, declina toda e qualquer responsabilidade em relação a danos que possam surgir a causa do uso de peças não originais.

4 Descrição técnica do queimador

4.1 Dados técnicos

MODELO			RL 190
POTÊNCIA ⁽¹⁾ CAUDAL ⁽¹⁾	2ª chama	kW Mcal/h kg/h	1423 - 2443 1224 - 2100 120 - 206
	1ª chama	kW Mcal/h kg/h	759 - 1423 653 - 1224 64 - 120
COMBUSTÍVEL			GASÓLEO
- Poder Calorífico Inferior		kWh/kg Mcal/kg	11,8 10,2 (10.200 kcal/kg)
- Densidade absoluta		kg/dm ³	0,82 - 0,85
- Viscosidade a 20 °C		mm ² /s máx	6 (1,5 °E - 6 cSt)
FUNCIONAMENTO			Intermitente (mín. 1 paragem em 24 horas). Bi-chama (alta e baixa chama) e mono-chama (tudo - nada).
BOQUILHAS		número	2
UTILIZAÇÃO STANDARD			Caldeiras: a água, a vapor e óleo diatérmico
TEMPERATURA AMBIENTE		°C	0 - 40
TEMPERATURA AR COMBURENTE		°C máx	60
ALIMENTAÇÃO ELÉCTRICA		V Hz	400 com neutro ~ +/-10% 50 - trifásica
MOTOR ELÉCTRICO		rpm W V	2800 4500 400
Intensidade de funcionamento		A	9,1
Intensidade de arranque		A	72,8
TRANSFORMADOR DE ACENDIMENTO		V1 - V2 I1 - I2	230 V - 2 x 5 kV 1,9 A - 35 mA
BOMBA J7C	Caudal (a 12 bar)	kg/h	230
	Pressões limite	bar	10 - 21
	Temp. combustível	°C máx	90
POTÊNCIA ELÉCTRICA ABSORVIDA		W máx	5870
GRAU DE PROTECÇÃO			IP 44
NÍVEL SONORO ⁽²⁾	Pressão sonora	dB(A)	83,9
	Potência sonora		94,9

(1) Condições de referência: Temperatura ambiente 20°C - Pressão barométrica 1000 mbar - Altitude acima do nível do mar 100 metros.

(2) Pressão acústica medida em laboratório de combustão da empresa fabricante, com o queimador funcionando em caldeira de ensaio à máxima potência. A potência sonora é avaliada, segundo as leis, sobre uma superfície esférica centrada no queimador com um raio de 1 metro.

4.1.1 Acessórios (por encomenda):

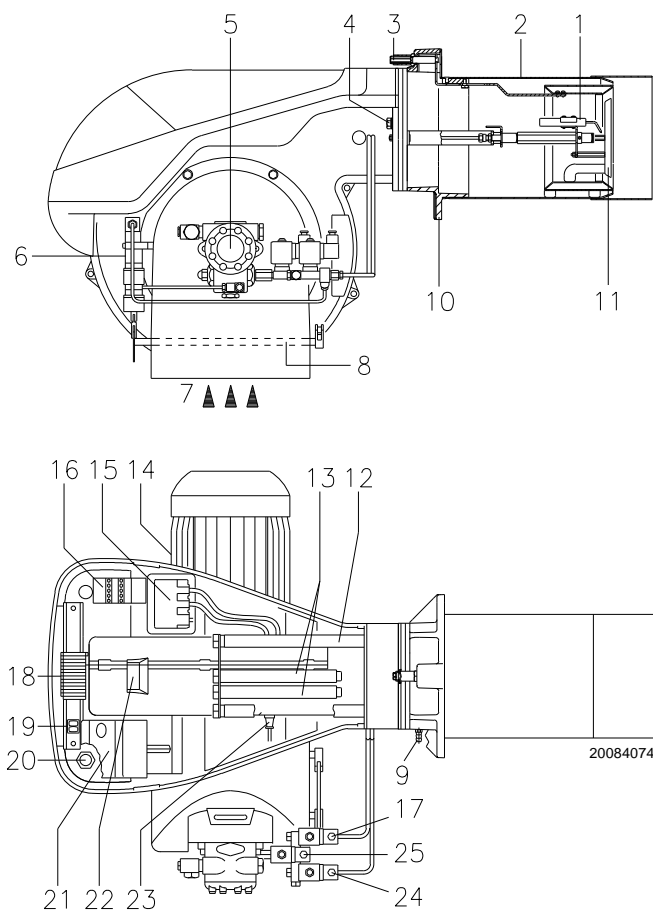
- KIT PROTECÇÃO CONTRA AS RÁDIO-INTERFERÊNCIAS**
No caso de instalação do queimador em ambientes especiais sujeitos a rádio-interferências (emissão de sinais superiores a 10 V/m) devido a presença de INVERTER ou em aplicações onde os comprimentos das conexões do termostato superem os 20 metros, está disponível um kit de protecção como interface entre a aparelhagem e o queimador.

4.1.2 Versões construtivas

Modelo	Código	Alimentação eléctrica
RL 190	20052627	400 V

QUEIMADOR	RL 190
Código	3010386

4.2 Descrição do queimador



- 1 Eléctrodos de acendimento
- 2 Cabeçal de combustão
- 3 Parafuso de regulação do cabeçal de combustão
- 4 Parafuso de fixação do ventilador à flange
- 5 Bomba
- 6 Cilindro hidráulico para regular o registo de ar na posição de 1ª e 2ª chama. Quando o queimador está parado, o registo do ar está completamente fechado para reduzir ao mínimo as dispersões térmicas da caldeira devidas à tiragem que toma ar da boca de aspiração do ventilador.
- 7 Entrada de ar no ventilador
- 8 Registos de ar
- 9 Tomada de pressão do ventilador
- 10 Flange para fixação à caldeira
- 11 Disco estabilizador da chama
- 12 Guias para abertura do queimador e inspecção do cabeçal de combustão
- 13 Extensões para guias 12)
- 14 Motor eléctrico
- 15 Transformador de acendimento
- 16 Contactador motor e relé térmico com botão de desbloqueio
- 17 Válvula de 1ª chama
- 18 Régua de ligações
- 19 Dois interruptores eléctricos:
- um de "arranque-paragem" do queimador
- um para "1ª chama - 2ª chama"
- 20 Passacabos para as ligações eléctricas a cargo do instalador
- 21 Caixa de controlo com piloto luminoso de bloqueio e botão de desbloqueio
- 22 Visor da chama
- 23 Segurança contra falha de chama através de fotorresistência
- 24 Válvula de 2ª chama
- 25 Electroválvula de segurança

Fig. 1

Existem duas possibilidades de bloqueio do queimador:

Bloqueio do equipamento: o acendimento do botão (led vermelho) do equipamento 22)(Fig. 1) indica que o queimador está bloqueado.

Para desbloquear, premir o botão por um período de tempo compreendido entre 1 e 3 segundos.

Bloqueio do motor: para desbloquear, premir o botão do relé térmico 17)(Fig. 1).

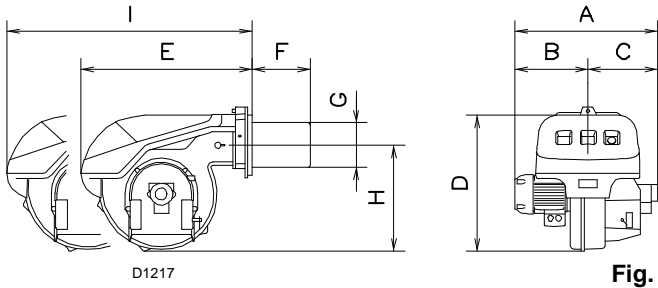
4.2.1 Peso - medidas aproximadas

- O peso do queimador com a embalagem é indicado na tabela (Tab. A).

	kg
RL 190	77

Tab. A

4.2.2 Dimensões Máximas - medidas aproximadas



As dimensões máximas do queimador são indicadas em (Fig. 2). Ter em conta que para inspeccionar o cabeçal de combustão, o queimador deve ser aberto deslocando a parte posterior pelas guias. As dimensões máximas do queimador aberto estão indicadas na cota I.

Fig. 2

mm	A	B	C	D	E	F	G	H	P
RL 190	756	366	390	555	712	522	222	430	1285

4.2.3 Forma de fornecimento

- 2 - Tubos flexíveis (L = 1350 mm)
- 2 - Guarnições para tubos flexíveis
- 2 - Racords para tubos flexíveis
- 1 - Tela térmica

- 2 - Prolongadores 13) (Fig. 1) para guias 12) (Fig. 1)
- 4 - Parafusos para fixar a flange do queimador à caldeira: M 16 x 40
- 1 - Instrução
- 1 - Catálogo de peças sobresselentes

4.3 Campo de trabalho

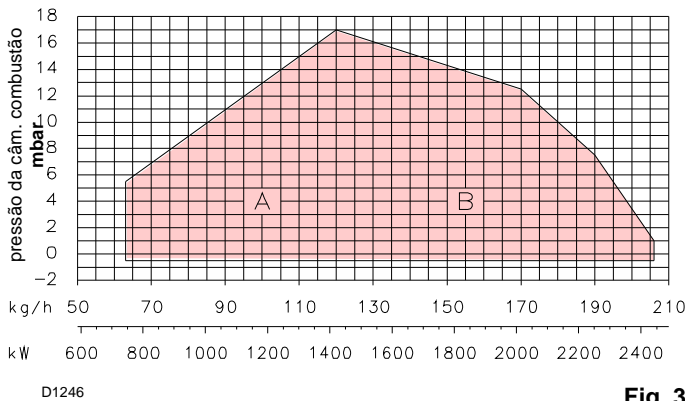


Fig. 3

Estes queimadores RL 190 podem funcionar de duas formas: mono-chama e bi-chama.

O **CAUDAL na 1ª chama** deve ser seleccionado dentro da zona A dos diagramas ao lado.

O **CAUDAL na 2ª chama** deve ser seleccionado dentro da zona B. Esta zona fornece o caudal máximo do queimador em função da pressão que existe na câmara de combustão.



ATENÇÃO

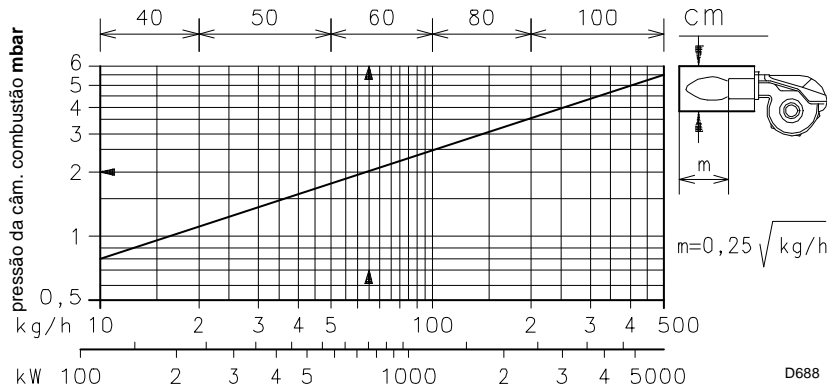
O CAMPO DE TRABALHO foi calculado considerando uma temperatura ambiente de 20 °C, uma pressão barométrica de 1000 mbar (aprox. 100 m acima do nível do mar) e com o cabeçal de combustão regulado como indicado na Pág. 12.

4.3.1 Caldeira de ensaio

O campo de trabalho foi obtido a partir de caldeiras de ensaio especiais, conforme o método indicado pela norma EN 267. Indicamos na (Fig. 4) o diâmetro e o comprimento da câmara de combustão de ensaio.

Exemplo: Caudal 65 kg/hora:
diâmetro = 60 cm; comprimento = 2 m.

Se o queimador queimar numa câmara de combustão comercial muito menor, é oportuno efectuar uma prova preliminar.



D688

Fig. 4

5 Instalação

Notas sobre a segurança na instalação

Depois de ter realizado uma cuidadosa limpeza ao redor da área destinada à instalação do queimador e ter providenciado uma correcta iluminação do ambiente, começar as operações de instalação.



Todas as operações de instalação, manutenção e desmontagem devem ser rigorosamente realizadas com a rede eléctrica desligada.



A instalação do queimador deve ser feita por pessoal habilitado, de acordo com o conteúdo do presente manual e em conformidade com as normas e disposições de lei em vigor.

5.1 Movimentação

A embalagem do queimador é dotada de um estrado de madeira, portanto é possível movimentar o queimador, quando ainda estiver embalado, com carro transpaleta ou carro elevador com forquilha.



As operações de movimentação do queimador podem ser muito perigosas se não efectuadas com a máxima atenção: distanciar os funcionários não encarregados; verificar a integridade e idoneidade dos meios à disposição. Além disso, deve-se assegurar que a zona em que se trabalha não seja obstaculada e que haja um espaço de fuga suficiente, isto é, uma zona livre e segura em que se possa refugiar caso o queimador caia. Durante a movimentação, manter a carga a não mais de 20-25 cm do chão.



Depois de ter posicionado o queimador perto da instalação, liberar-se correctamente de todos os resíduos da embalagem, diferenciando as várias tipologias de materiais. Antes de continuar com as operações de instalação, realizar uma cuidadosa limpeza ao redor da área destinada à instalação do queimador.

5.2 Controlos preliminares

Controlo das peças em dotação



Depois de ter desembalado tudo, verificar que o conteúdo esteja íntegro. Em caso de dúvidas, não usar o queimador e chamar o fornecedor.



Os elementos da embalagem (cela de madeira ou caixa de papelão, pregos, grampos, sacos de plástico, etc.) não devem ser abandonados, enquanto constituem potenciais fontes de perigo e poluição; devem ser recolhidos e depositados em um lugar adequado a tal fim.

Controlo das características do queimador

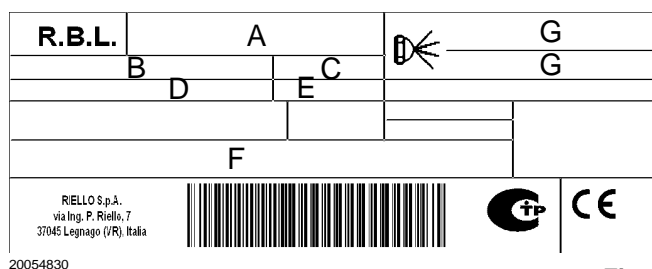


Fig. 5



A potência do queimador deve estar dentro do campo de trabalho da caldeira;



A alteração, remoção, a falta da chapa de identificação do queimador ou similares não consentem a identificação segura do queimador e torna difícil qualquer operação de instalação e de manutenção.

Controlar a chapa de identificação do queimador, na qual estão presentes:

- o modelo (ver **A** na Fig. 5) e o tipo do queimador (**B**);
- o ano de fabricação criptografado (**C**);
- o número de matrícula (**D**);
- a potência eléctrica absorvida (**E**);
- os tipos de combustíveis usados e as relativas pressões de alimentação (**F**);
- os dados de potência mínima e máxima compatíveis com o queimador (**G**) (ver Campo de trabalho)

5.3 Placa da caldeira

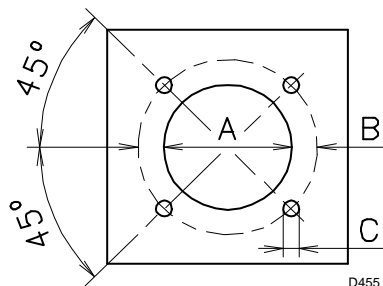


Fig. 6

Furar a placa de fecho da câmara de combustão, tal como está indicado na Fig. 6. A posição dos orifícios roscaados pode ser marcada utilizando a tela térmica fornecida com o queimador.

mm	A	B	C
RL 190	230	325-368	M 16

5.4 Comprimento do tubo de fogo

O comprimento do tubo de fogo deve ser escolhido de acordo com as indicações do fabricante da caldeira e, em qualquer caso, deve ser maior que a espessura da porta da caldeira, com o material refractário incluído. O comprimento, L (mm), disponível é de 370 mm.

Para as caldeiras com passagens de fumos dianteiras 12), ou com câmara de inversão da chama, colocar uma protecção de

material refractário 10) entre o refractário da caldeira 11) e o tubo de fogo 9).

A protecção deve permitir que o tubo de fogo seja extraído.

Para as caldeiras com a frente refrigerada por água, não é necessário o revestimento refractário 10)-11) (Fig. 7), excepto se o fabricante da caldeira assim o indicar.

5.5 Fixação do queimador à caldeira

Desmontar o tubo de fogo 9) do queimador 6).

- Afrouxar os 4 parafusos 3) e retirar a envolvente 1).
- Tirar os parafusos 2) das duas guias 5).
- Tirar os dois parafusos 4) que fixam o queimador 6) à flange 7).
- Retirar o tubo de fogo 9) com a flange 7) e as guias 5).

Fixar a flange 7) (Fig. 7) à placa da caldeira, intercalando a junta 8) (Fig. 7) fornecida. Usar os 4 parafusos fornecidos, depois de haver protegido a rosca com um produto antibloqueio.

A união do queimador à caldeira deve ser hermética.

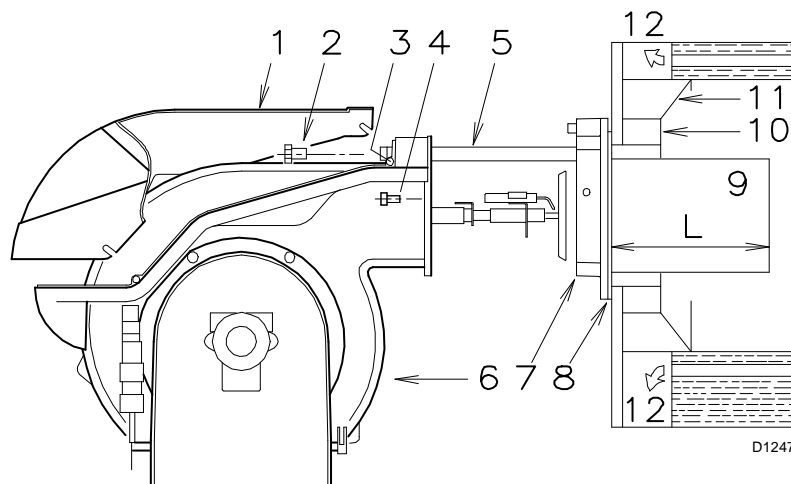


Fig. 7

5.6 Selecção das boquilhas para 1ª e 2ª chama

Ambas as boquilhas devem ser escolhidas entre as que figuram na tabela (Tab. B).

A primeira boquilha determina o caudal do queimador na 1ª chama.

A segunda boquilha funciona em conjunto com a primeira e ambas determinam o caudal do queimador em 2ª chama.

Os caudais da 1ª e 2ª chama devem estar compreendidos entre os valores indicados na Pág. 6.

Utilizar de preferência boquilhas com ângulo de pulverização de 60° e pressão aconselhada de 12 bar.

Geralmente, as duas boquilhas são do mesmo caudal, mas a da 1ª chama pode ter um caudal inferior a 50%, relativamente ao caudal total, quando se deseja reduzir um pouco a contrapressão no momento do acendimento (o queimador permite bons valores de combustão inclusive com relações 40-100% entre a 1ª e a 2ª chama).

Exemplo

Potência caldeira = 1630 kW - rendimento 90 %

Potência no queimador =

$$1630 : 0,9 = 1812 \text{ kW};$$

$$1812 : 2 = 906 \text{ kW por boquilha}$$

são necessárias duas boquilhas iguais de 60° e 12 bar de pressão:

$$1 = 18 \text{ GPH} - 2 = 18 \text{ GPH},$$

ou então duas boquilhas diferentes:

$$1^\circ = 16 \text{ GPH} - 2^\circ = 20 \text{ GPH}.$$

GPH	kg/h (1)			kW 12 bar
	10 bar	12 bar	14 bar	
5,00	19,2	21,2	23,1	251,4
5,50	21,1	23,3	25,4	276,3
6,00	23,1	25,5	27,7	302,4
6,50	25,0	27,6	30,0	327,3
7,00	26,9	29,7	32,3	352,3
7,50	28,8	31,8	34,6	377,2
8,00	30,8	33,9	36,9	402,1
8,30	31,9	35,2	38,3	417,5
8,50	32,7	36,1	39,2	428,2
9,00	34,6	38,2	41,5	453,1
9,50	36,5	40,3	43,8	478,0
10,0	38,4	42,4	46,1	502,9
10,5	40,4	44,6	48,4	529,0
11,0	42,3	46,7	50,7	553,9
12,0	46,1	50,9	55,3	603,7
12,3	47,3	52,2	56,7	619,1
13,0	50,0	55,1	59,9	653,5
13,8	53,1	58,5	63,3	693,8
14,0	53,8	59,4	64,5	704,5
15,0	57,7	63,6	69,2	754,3
15,3	58,8	64,9	70,5	769,7
16,0	61,5	67,9	73,8	805,3
17,0	65,4	72,1	78,4	855,1
17,5	67,3	74,2	80,7	880,0
18,0	69,2	76,4	83,0	906,1
19,0	73,0	80,6	87,6	956,0
19,5	75,0	82,7	89,9	980,9
20,0	76,9	84,8	92,2	1005,8
21,5	82,7	91,2	99,1	1081,7
22,0	84,6	93,3	101,4	1106,6

Tab. B

(1) gasóleo: densidade 0,84 kg/dm³ - viscosidade 4,2 cSt/20°C - temperatura 10°C

5.7 Montagem das boquilhas

Neste ponto da instalação, o queimador está ainda separado do tubo de fogo; é, portanto, possível montar a boquilha com a chave de tubo 1) (Fig. 8) (de 16 mm) depois de se terem retirado os tampões de plástico 2) (Fig. 8), passando pela abertura central do disco estabilizador de chama. Não utilizar produtos estanques tais como juntas, fitas adesivas ou silicone. Ter o cuidado de não amassar ou riscar o assento de estanqueidade da boquilha. O aperto da boquilha deve ser forte, mas sem chegar ao esforço máximo que a chave permite.

A boquilha para a 1ª chama de funcionamento é a que se encontra por baixo dos eléctrodos de acendimento, (Fig. 9).

Verificar que os eléctrodos estejam posicionados como se indica na (Fig. 9).

Voltar a montar, enfim, o queimador 3) (Fig. 10) sobre as guias, deslocando-o até à flange 5), **mantendo-o ligeiramente levantado para evitar que o disco estabilizador de chama tropece no tubo de fogo.**

Apertar os parafusos 1) nas guias 2) e os parafusos 4) que fixam o queimador à flange.

Caso seja necessário substituir a boquilha com o queimador já instalado na caldeira, proceder da seguinte forma:

- Abrir o queimador sobre as guias como se indica (Fig. 7 Pág. 10).

- Tirar as porcas 1) (Fig. 11) e o disco 2)
- Substituir a boquilha com a chave 3) (Fig. 11).

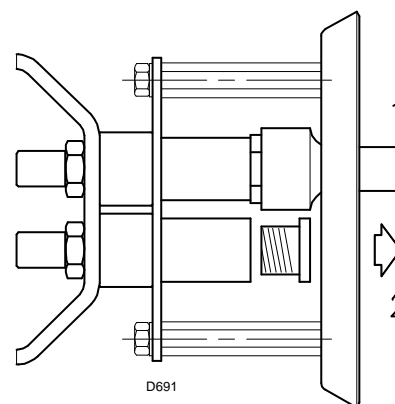


Fig. 8

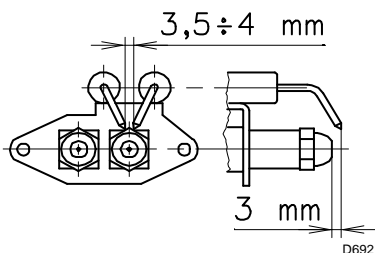


Fig. 9

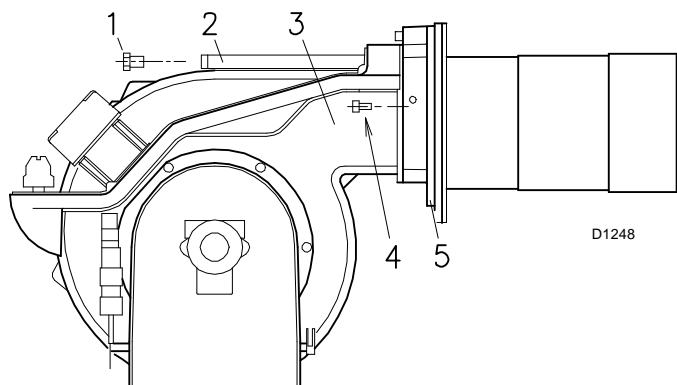


Fig. 10

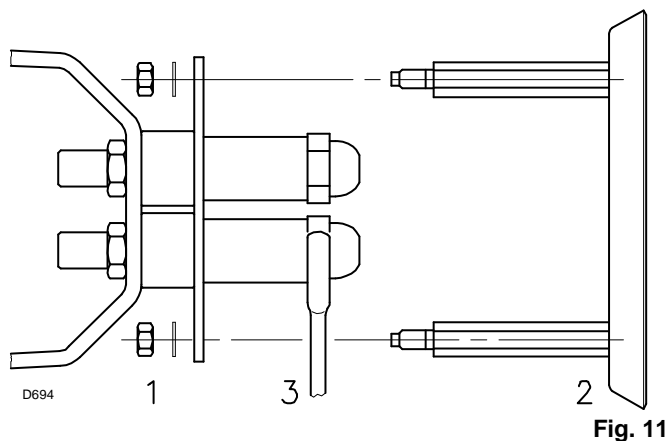


Fig. 11

5.8 Regulação do cabeçal de combustão

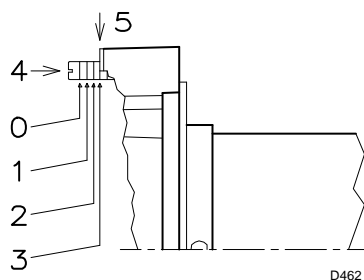


Fig. 12

A regulação do cabeçal de combustão depende unicamente do caudal do combustível do queimador na 2ª chama, isto é, da soma dos caudais das duas boquilhas seleccionadas na Tabela (Tab. A).

Rodar o parafuso 4) (Fig. 12) até que o número de posição indicado no diagrama (Fig. 13) coincida com o plano anterior da flange 5) (Fig. 10 Pág. 12).

Exemplo:

RL 190 com duas boquilhas de 18 GPH e pressão de 12 bar na bomba.

Encontrar na tabela (Tab. A Pág. 7) o caudal das duas boquilhas de 18 GPH:

$$76,4 + 76,4 = 152,8 \text{ kg/h.}$$

O diagrama (Fig. 13) indica que para um caudal de 152,8 kg/h o queimador RL 190 necessita de uma regulação do cabeçal de combustão na posição 4 aproximadamente, tal como indicado na (Fig. 12).

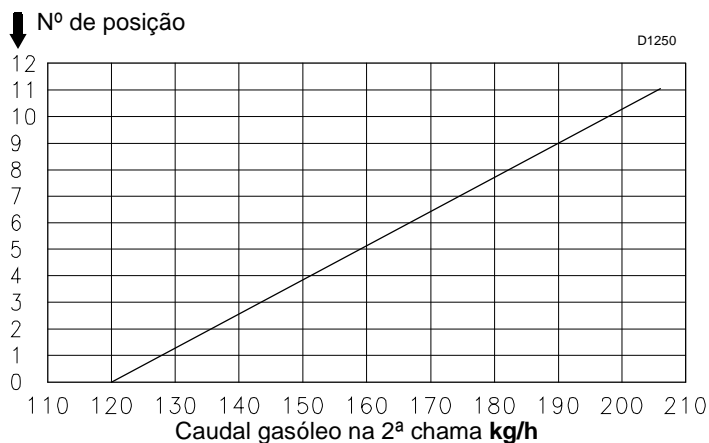


Fig. 13

6 Instalação eléctrica

Notas sobre a segurança para as conexões eléctricas

- As conexões eléctricas devem ser realizadas na ausência de alimentação eléctrica.
- As ligações eléctricas devem ser efectuadas segundo as normas em vigor no país de destino e por pessoal qualificado. Ter como referência os esquemas eléctricos.
- **RIELLO** declina toda a responsabilidade que derive de modificações ou ligações diferentes das representadas nos esquemas eléctricos.
- Não inverter o neutro com a fase na linha de alimentação eléctrica. A eventual inversão poderia determinar uma paragem em bloqueio por falta de acendimento.
- Os queimadores RL190 foram homologados para funcionar de modo intermitente. Isto significa que devem parar "por Norma" pelo menos uma vez a cada 24 horas para permitir que a caixa de controlo faça uma verificação da eficácia ao arranque. Normalmente, a paragem do queimador é garantida pelo termóstato/pressóstato da caldeira.
Se assim não for, deverá colocar em série com o interruptor IN, um interruptor horário que pare o queimador pelo menos uma vez a cada 24 horas. Ter como referência os esquemas eléctricos.
- A segurança eléctrica da caixa de controlo é alcançada somente quando a mesma for correctamente conectada a uma eficaz tomada de terra, realizada como previsto nas normas vigentes. É necessário verificar esse fundamental requisito de segurança. Em caso de dúvida, fazer com que o pessoal habilitado realize um controlo da instalação eléctrica.
- A instalação eléctrica deve ser adequada à potência máxima absorvida pela caixa de controlo, indicada na chapa e no manual, garantindo particularmente que a secção dos fios seja idónea à potência absorvida pelo aparelho.
- Para a alimentação geral do aparelho da rede eléctrica:
 - não usar adaptadores, tomadas múltiplas, extensões;
 - providenciar um interruptor omnipolar com abertura entre os contactos de pelo menos 3 mm (categoria sobre-tensão), como previsto pelas normativas de segurança em vigor.
- Não tocar o aparelho com partes do corpo molhadas ou húmidas e/ou com os pés descalços.
- Não puxar os fios eléctricos.



6.1 Instalação Eléctrica (Efectuada na Fábrica)

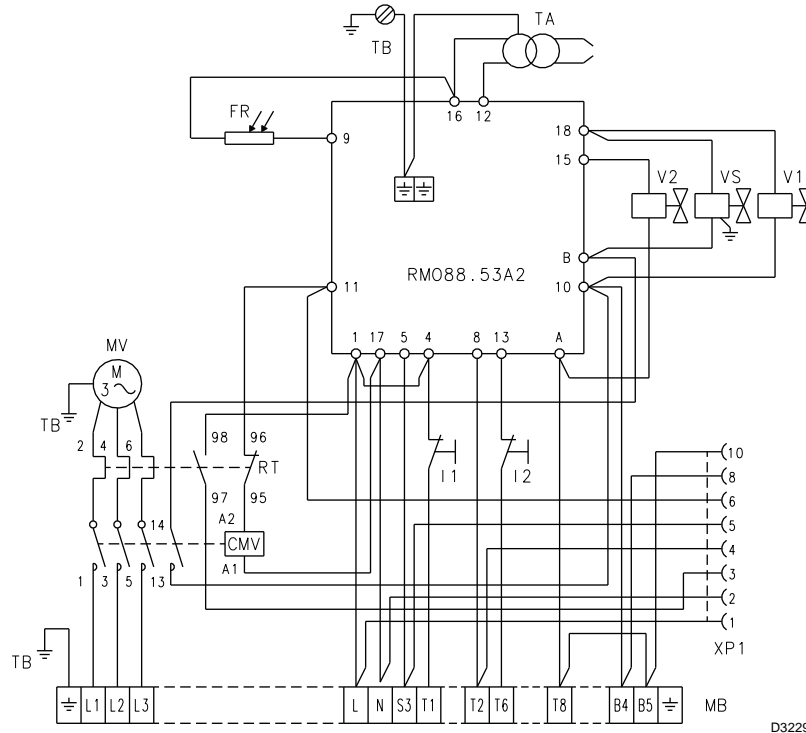


Fig. 14

Legenda esquema (Fig. 14)

- CMV - Contactor motor
- FR - Fotorresistência
- I1 - Interruptor: "arranque/paragem queimador"
- I2 - Interruptor: 1ª - 2ª chama
- MB - Caixa de bornes do queimador
- MV - Motor ventilador
- RMO88.53A2 - Aparelhagem eléctrica
- RT - Relé térmico
- TA - Transformador de acendimento
- TB - Ligação terra do queimador
- V1 - Electroválvula 1ª chama
- V2 - Electroválvula 2ª chama
- VS - Electroválvula de segurança
- XP1 - Conector

NOTA:

Caso seja necessário ter o dispositivo de rearme à distância, ligar um botão (NA) entre o borne 3 e o Neutro da caixa de controlo (bornes 15, 16, 17 e 18).

6.1.1 Ligações eléctricas

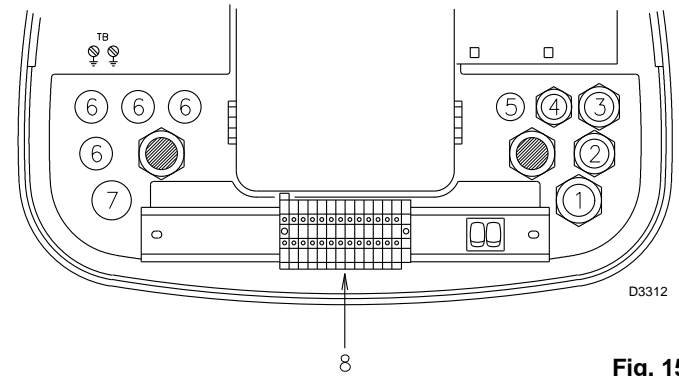


Fig. 15

Efectuadas pelo instalador

Usar cabos flexíveis conforme a norma EN 60 335-1:

- se revestidos de PVC, utilizar no mínimo H05 VV-F
- se revestidos de borracha, utilizar no mínimo H05 RR-F.

Todos os cabos que forem ligados à caixa de bornes 8) (Fig. 15) do queimador, devem ser canalizados através de passacabos.

Os passacabos e orifícios podem ser utilizados de várias formas; como exemplo, indicamos a seguinte forma:

- 1 Pág 13,5 Alimentação trifásica
- 2 Pág 11 Alimentação monofásica
- 3 Pág 11 Termóstato TL
- 4 Pág 9 Termóstato TR
- 5 Pg 9 preparado para buçins
- 6 Pg 11 preparado para buçins
- 7 Pg 13,5 preparado para buçins

Ligação eléctrica RL 190 alimentação trifásica 230/400 V com neutro

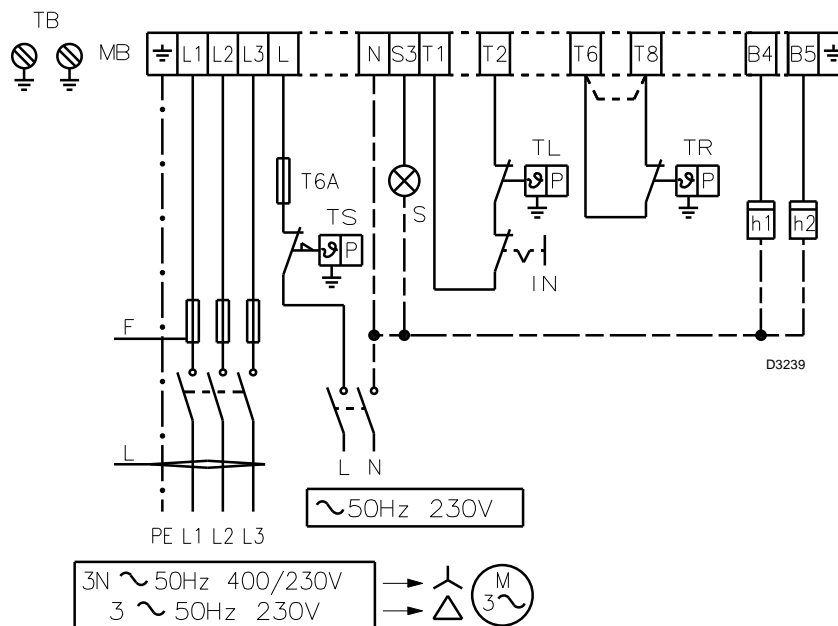


Fig. 16

		RL 190	
		230 V	400 V
F	A	T25	T25
L	mm ²	2,5	2,5

Modelo	Regulação do relé térmico
RL 190 - 230 V	16 A
RL 190 - 400 V	9,5 A

Fusíveis e secção cabos esquema (Fig. 16), ver tabela.

Secção cabos não indicada: 1,5 mm²

Legenda esquema (Fig. 16)

- H1 - Contador de 1a chama
- H2 - Contador de 2a chama
- IN - Interruptor eléctrico para paragem manual do queimador
- MB - Caixa de bornes do queimador
- S - Sinalização de bloqueio à distância
- TB - Ligação terra do queimador
- TL - Termóstato de limite: para o queimador quando a temperatura ou a pressão na caldeira ultrapassam o valor preestabelecido.
- TR - Termóstato de regulação: comanda a 1a e 2a chama de funcionamento. Só é necessário para funcionamento a duas chamas.
- TS - Termóstato de segurança: intervém em caso de TL avariado.



O queimador sai de fábrica preparado para funcionar a duas chamas e deve, portanto, ser ligado o termóstato TR para o comando da válvula V2 do gasóleo.

Caso contrário, se deseja que funcione a uma chama, inserir, em substituição do termóstato TR, uma ponte entre os bornes 5 e 6 da caixa de bornes.

NOTA:

Os queimadores RL 190 foram homologados para funcionar de modo intermitente. Isto significa que devem parar “por Norma” pelo menos uma vez a cada 24 horas para permitir que a caixa de controlo faça uma verificação da eficácia ao arranque. Normalmente, a paragem do queimador está assegurada pelo termóstato da caldeira.

Se assim não for, deverá colocar em série com o interruptor IN, um interruptor horário que pare o queimador pelo menos uma vez a cada 24 horas.



Não inverter o neutro com a fase na linha de alimentação eléctrica.

7 Instalação hidráulica

7.1 Alimentação de combustível

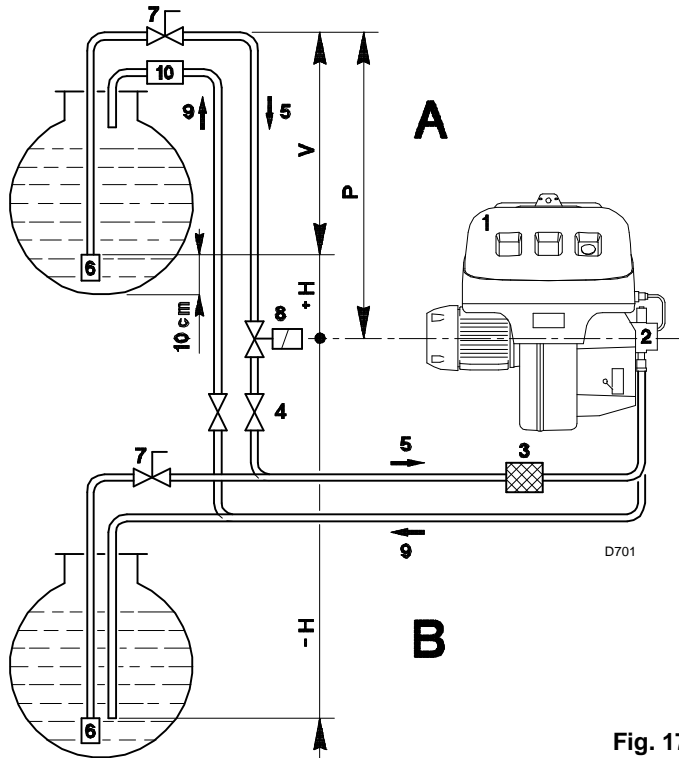


Fig. 17

Circuito bitubo (Fig. 17)

O queimador está provido de uma bomba auto-aspirante que é capaz de se auto-alimentar, dentro dos limites indicados na tabela.

Depósito mais alto que o queimador A

É oportuno que a cota P não supere os 10 metros para não submeter o retentor da bomba a uma pressão excessiva; e a cota V não deve superar os 4 metros para que a bomba se possa auto-ferrar, inclusive com o depósito quase vazio.

Depósito mais baixo que o queimador B

Não se deve ultrapassar uma depressão na bomba de 0,45 bar (35 cm Hg). Com uma depressão superior parte do combustível gaseificar-se-ia, a bomba faria ruído e encurtar-se-ia a vida da mesma.

É aconselhável que o tubo de retorno e o de aspiração entrem no queimador à mesma altura; desta forma será mais difícil que se produza o desferrar do tubo de aspiração.

Circuito em anel

O circuito em anel é formado por um tubo que sai do depósito e retorna a este, com uma bomba auxiliar que faz circular o combustível sob pressão. Uma derivação do anel alimenta o queimador. Este circuito é necessário quando a bomba do queimador não é capaz de se auto-alimentar porque a distância e/ou o desnível do depósito são superiores aos valores indicados na tabela.

+ H - H (m)	L (m)		
	Ø (mm)		
	12	14	16
+ 4,0	71	138	150
+ 3,0	62	122	150
+ 2,0	53	106	150
+ 1,0	44	90	150
+ 0,5	40	82	150
0	36	74	137
- 0,5	32	66	123
- 1,0	28	58	109
- 2,0	19	42	81
- 3,0	10	26	53
- 4,0	-	10	25

Tab. C

Legenda

- H = Desnível bomba-válvula de fundo
- L = Comprimento da tubagem
- Ø = Diâmetro interior do tubo
- 1 = Queimador
- 2 = Bomba
- 3 = Filtro
- 4 = Válvula manual de interceptação
- 5 = Tubo de aspiração
- 6 = Válvula de fundo
- 7 = Válvula manual de fecho rápido, com comando à distância (somente na Itália)
- 8 = Electroválvula de interceptação (somente na Itália)
- 9 = Tubo de retorno
- 10 = Válvula de retenção (somente na Itália)

7.2 Ligações hidráulicas

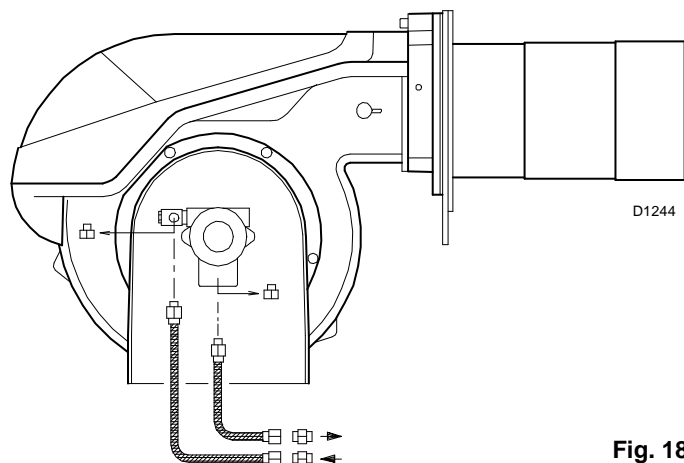


Fig. 18

As bombas têm um by-pass que comunica o retorno com a aspiração. Estão instaladas no queimador, com o by-pass fechado através do parafuso 6) (Fig. 23 Pág. 19).

Assim, é necessário ligar os dois tubos flexíveis à bomba.

Se a bomba funcionar com o retorno fechado e o parafuso do by-pass colocado, se avaria de imediato.

Retirar os tampões das ligações de aspiração e de retorno da bomba.

No seu lugar rosca os tubos flexíveis com as juntas que são fornecidas.

Ao montar os tubos flexíveis, estes não devem ser submetidos a torções.

Colocar os tubos de forma a que não possam ser pisados nem estejam em contacto com as superfícies quentes da caldeira.

Por último, unir o outro extremo dos tubos flexíveis aos tubos de aspiração e de retorno através das uniões fornecidas.

**BOMBA
SUNTEC J7 C**

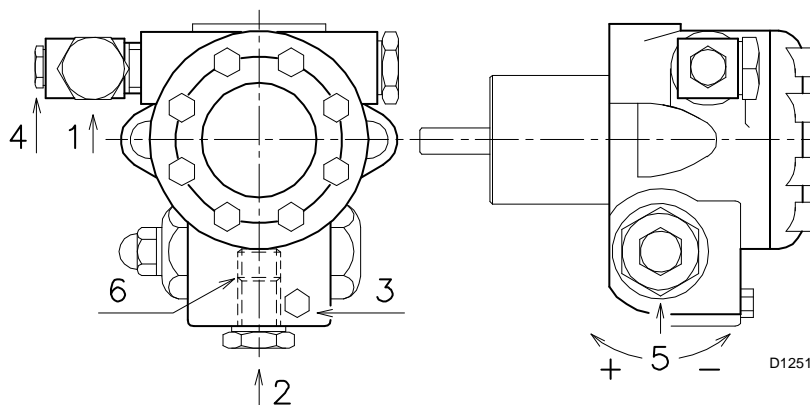


Fig. 19

7.3 Bomba

- 1 - Aspiração G 1/2"
 - 2 - Retorno G 1/2"
 - 3 - Ligação manómetro G 1/8"
 - 4 - Ligação vacuómetro G 1/8"
 - 5 - Regulação da pressão
 - 6 - Parafuso para by-pass
- A - Caudal mínimo a 12 bar de pressão
 - B - Campo da pressão de saída
 - C - Depressão máxima em aspiração
 - D - Campo de viscosidade
 - E - Temperatura máxima do gasóleo
 - F - Pressão máx. em aspiração e retorno
 - G - Regulação da pressão em fábrica
 - H - Largura da malha do filtro

7.3.1 Alimentação da bomba

- Antes de pôr o queimador em funcionamento, certificar-se de que o tubo de retorno ao depósito não esteja obstruído. Um eventual impedimento provocaria a ruptura do retentor situado no eixo da bomba. (A bomba sai de fábrica com a válvula de by-pass fechada).
- Com o fim de que a bomba se possa auto-alimentar, é indispensável afrouxar o parafuso 3) (Fig. 19) da bomba para purgar o ar contido no tubo de aspiração.

- Colocar em funcionamento o queimador fechando os termóstatos e com o interruptor 1) (Fig. 20, Pág. 18) na posição "ACESO". A bomba deve rodar no sentido da seta que está marcada na cobertura.
- Quando o gasóleo sai pelo parafuso 3), indica que a bomba está alimentada. Parar imediatamente o queimador: interruptor 1) (Fig. 20, Pág. 18) na posição "DESLIGADO" e aparafusar o parafuso 3).

O tempo necessário para esta operação depende do diâmetro e do comprimento do tubo de aspiração. Se a bomba não se alimenta na primeira partida e o queimador se bloqueia, esperar aprox. 15 s, desbloquear e repetir a partida. E assim por diante. A cada 5 ou 6 arranques, esperar 2 ou 3 minutos para que o transformador arrefeça.

Não iluminar a resistência para evitar que o queimador se bloqueie; de qualquer forma, o queimador ficará bloqueado cerca de 10 segundos após o arranque.



ATENÇÃO

A operação anteriormente indicada é possível porque a bomba sai de fábrica cheia de combustível. Se a bomba se esvaziou, enchê-la de combustível pelo tampão do vacuómetro antes de a pôr em funcionamento, para evitar que se bloqueie.

Quando o tubo de aspiração tiver mais de 20-30 metros de comprimento, voltar a encher o tubo com uma bomba independente.

8 Regulação do queimador

8.1 Acendimento

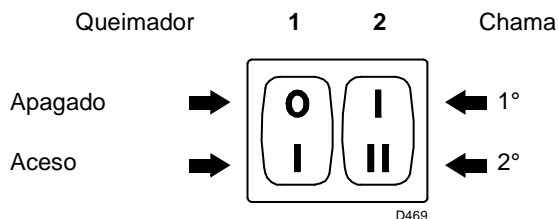


Fig. 20



ATENÇÃO

Verificar a correcta funcionalidade dos dispositivos de regulação, comando e segurança.

Notas sobre a segurança no primeiro funcionamento



ATENÇÃO

O primeiro funcionamento do queimador deve ser feito por pessoal habilitado, de acordo com o conteúdo do presente manual e em conformidade com as normas e disposições de lei em vigor.

Colocar o interruptor 1) (Fig. 20) na posição "ACESO".

No primeiro acendimento, ou no momento de passar da 1ª à 2ª chama, produz-se uma diminuição momentânea da pressão do combustível em consequência do enchimento do tubo que alimenta a 2ª boquilha. Esta baixa de pressão pode provocar a paragem do queimador, acompanhada, por vezes, de pulsações.

Uma vez efectuadas as regulações descritas de seguida, o acendimento do queimador deve produzir um ruído semelhante ao de funcionamento. Caso sejam notadas uma ou mais pulsações, ou um atraso no acendimento relativamente à abertura da electroválvula do gásóleo, ver os conselhos indicados na Pág. 24: causas 34 ÷ 42.

8.2 Funcionamento

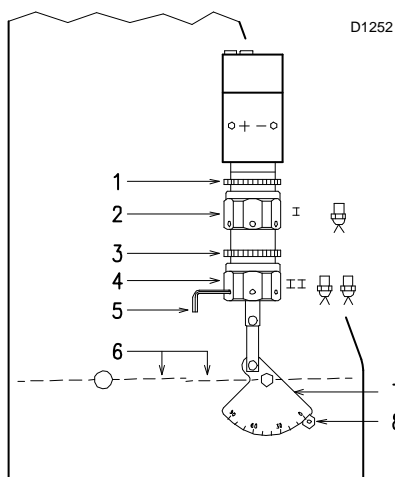


Fig. 21

Para conseguir uma regulação óptima do queimador, é necessário fazer uma análise da combustão à saída da caldeira e actuar sobre os seguintes elementos.

► **Boquilhas da 1ª e 2ª chama**

Ver informações indicadas na Pág. 11.

► **Cabeçal de combustão**

A regulação do cabeçal que já tenha sido feito, não necessita de alteração se o caudal do queimador na 2ª chama não variou.

► **Pressão da bomba**

12 bar: é a pressão regulada de fábrica e a que, normalmente, se deve utilizar. Por vezes, pode ser necessário regulá-la a:

10 bar: para reduzir o caudal de combustível. É possível caso a temperatura ambiente permaneça acima dos 0°C. Nunca descer de 10 bar, já que o hidráulico do ar poderia abrir-se com dificuldade.

14 bar: para aumentar o caudal do combustível ou para que o queimador acenda bem inclusive a temperaturas inferiores a 0°C.

Para variar a pressão da bomba, actuar no parafuso 5) (Fig. 19, Pág. 17).

► **Registro do ventilador - 1ª chama**

Manter o queimador funcionando na 1ª chama, colocando o interruptor 2) (Fig. 20) na posição 1ª chama. A abertura do registro 6) (Fig. 21) deve ser proporcional à da boquilha escolhida: o índice 8) (Fig. 21) deve corresponder com o número da posição indicada no sector graduado 7) (Fig. 21). A regulação faz-se rodando o hexágono 2) (Fig. 21):

- para a direita (sinal -), a abertura diminui;
- para a esquerda (sinal +), a abertura aumenta.

		J7 C
A	kg/h	230
B	bar	10 - 21
C	bar	0,45
D	cSt	2,8 - 200
E	°C	90
F	bar	1,5
G	bar	12
H	mm	0,170

Tab. D

► **Registro do ventilador - 2ª chama**

Colocar o interruptor 2) (Fig. 20, Pág. 18) na posição 2ª chama e regular o registro 6) (Fig. 21) actuando sobre o hexágono 4) (Fig. 21), depois de se ter aliviado o aro 3) (Fig. 21).

NOTA:

para facilitar a regulação dos hexágonos 2) e 4) (Fig. 21), utilizar uma chave hexagonal de 3 mm 5) (Fig. 21).

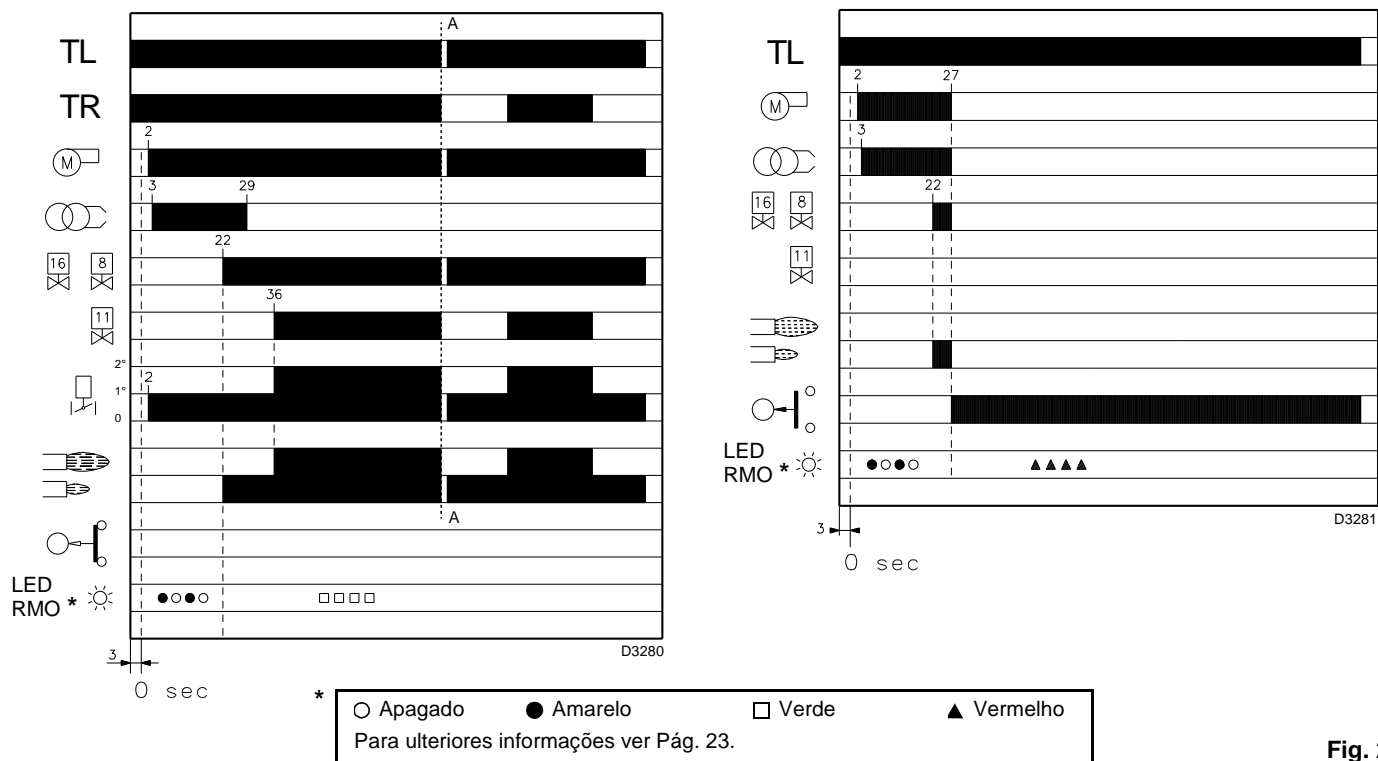


Fig. 22

8.2.1 Arranque do queimador

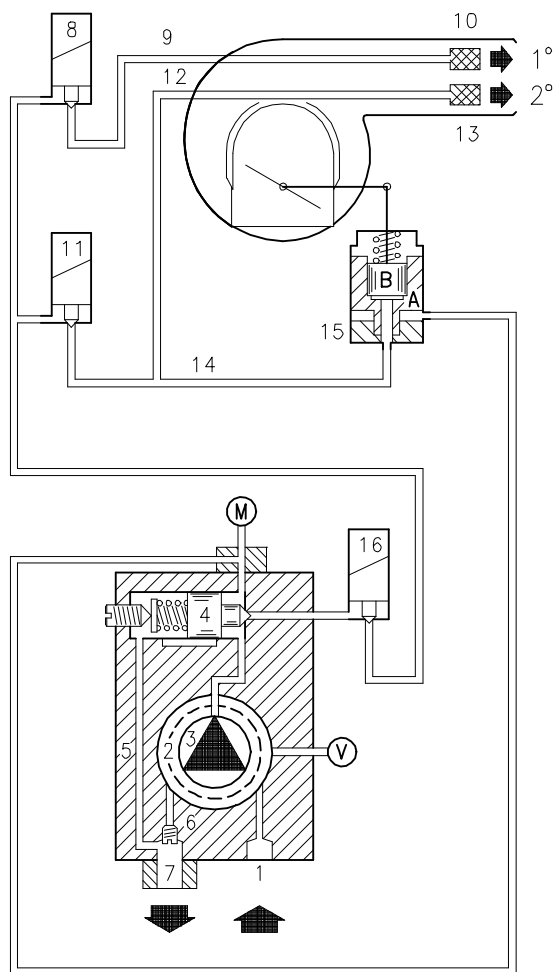


Fig. 23

Fases do arranque com os tempos progressivos em segundos:
Fecha-se o termóstato TL.

Passados cerca de 3s:

- **0 s:** Inicia o programa da caixa de controle.
- **2 s:** Entra em funcionamento o motor ventilador.
- **3 s:** Inserção do transformador de acendimento.
A bomba 3) aspira o combustível do depósito através do tubo 1) e do filtro 2) e bombeia-o sob pressão. O pistão 4) desloca -se e o combustível regressa ao depósito através dos tubos 5) e 7). O parafuso 6) fecha o by-pass para a aspiração e as electroválvulas 8), 11) e 16), desactivadas, fecham a passagem para as boquilhas.
O hidráulico do ar 15), pistão A, abre o registo de ar: pré-ventilação com o caudal de ar da 1ª chama.
- **22 s:** Abrem-se as electroválvulas 16) e 8); o combustível passa pelo tubo 9), atravessa o filtro 10), saindo pulverizado pela boquilha e, ao entrar em contacto com a faísca, acende-se: 1ª chama.
- **29 s:** Apaga-se o transformador de acendimento.
- **36 s:** Se o termostato TR está fechado ou foi substituído por uma ponte, a electroválvula 11) da 2ª chama, activada, abre duas vias: uma para o tubo 12), o filtro 13) e a boquilha de 2ª chama; e a outra para o hidráulico do ar 15), pistão B, que abre o registo de ar do ventilador na 2ª chama. Finaliza o ciclo de arranque.

8.2.2 Funcionamento a regime

Instalação com termóstato TR

Finalizado o ciclo de arranque, o comando da electroválvula de 2ª chama passa ao termóstato TR, que controla a pressão ou a temperatura na caldeira.

- Quando a temperatura ou a pressão aumenta até à abertura do termóstato TR, a electroválvula 11) fecha-se e o queimador passa da 2ª à 1ª chama.
- Quando a temperatura ou a pressão diminui até ao fecho do termóstato TR, a electroválvula 11) abre-se e o queimador passa da 1ª à 2ª chama.
E assim sucessivamente.
- A paragem do queimador produz-se quando as necessidades de calor são menores que as geradas pelo queimador na 1ª chama. O termóstato TL abre-se, as electroválvulas 8) e 16) fecham-se, e a chama apaga-se repentinamente. O registo de ar do ventilador fecha-se por completo.

Instalação sem termóstato TR, substituído por uma ponte

O arranque do queimador é feito como o indicado anteriormente. Posteriormente, se a temperatura ou a pressão aumenta até à abertura do termóstato TL, o queimador apaga-se (segmento A-A no diagrama).

No momento em que a electroválvula 11) se desactiva, o combustível existente no hidráulico do ar 15), pistão B, é descarregado através da boquilha.

8.2.3 Falta de acendimento

Se o queimador não se acende, produz-se o bloqueio do mesmo num tempo máximo de 5 segundos desde a abertura da válvula da 1ª chama e 30 segundos depois do fecho do termóstato TL.

O piloto da caixa de controlo acende-se.

8.2.4 Extinção da chama durante o funcionamento

Se a chama se apaga durante o funcionamento do queimador, este bloqueia-se em 1 segundo e faz uma tentativa para entrar em funcionamento, repetindo o ciclo de arranque.

8.2.5 Controlos finais

- **Obscurecer a fotorresistência e fechar os termóstatos:** o queimador deve arrancar e de seguida bloquear-se a cerca de 5 segundos aproximadamente da abertura da válvula de 1ª chama.
- **Iluminar a fotorresistência e fechar os termóstatos:** o queimador deve arrancar e, ao fim de cerca de 10 segundos, bloquear-se.
- **Obscurecer a fotorresistência com o queimador a funcionar na 2ª chama sucedendo o seguinte em sequência:** apagar da chama em 1 segundo, ventilação durante 20÷28 segundos, faísca durante cerca de 5 segundos e bloqueio do queimador.
- **Abrir o termóstato TL e de seguida o TS, com o queimador em funcionamento:** o queimador deve parar.

9 Manutenção

Notas sobre a segurança na manutenção

A manutenção periódica é essencial para o bom funcionamento, a segurança, o rendimento e a duração do queimador.

Esta permite a redução dos consumos, das emissões poluentes e a manutenção da confiabilidade do produto no tempo.



As operações de manutenção e a regulação do queimador devem ser realizadas exclusivamente pelo pessoal habilitado e autorizado, de acordo com o conteúdo do presente manual e em conformidade com as normas e disposições de lei vigentes.

Antes de realizar qualquer operação de manutenção, limpeza ou controlo:



tirar a alimentação eléctrica do queimador, agindo no interruptor geral da instalação;



fechar a torneira de interceptação do combustível;

Combustão

Efectuar a análise dos gases de combustão que saem da caldeira. As diferenças significativas em relação à última análise indicam os pontos onde deverão centrar-se as operações de manutenção.

Bomba

A pressão de impulsão deve ser estável a 12 bar.

A depressão deve ser inferior a 0,45 bar.

O ruído não deve ser perceptível.

No caso de pressão instável ou se a bomba produz ruído, desligar o tubo flexível do filtro de linha e aspirar o combustível de um depósito colocado junto do queimador. Esta medida de precaução permite determinar se a causa da anomalia é do tubo de aspiração ou da bomba.

Se for da bomba, verificar se o seu filtro não está sujo. Com efeito, como o vacuómetro está instalado antes do filtro, não mostra o seu estado de sujidade.

Pelo contrário, se a causa da anomalia está no tubo de aspiração, verificar se o filtro de linha não está sujo ou se entra ar no tubo.

Filtros (Fig. 24)

Verificar os cartuchos filtrantes:

- de linha 1
- da bomba 2
- da boquilha 3), limpá-los ou substituí-los.

Se no interior da bomba é verificada oxidação ou outras impurezas, aspirar do fundo do depósito com uma bomba independente, a água e outras impurezas que eventualmente ali se tenham depositado.

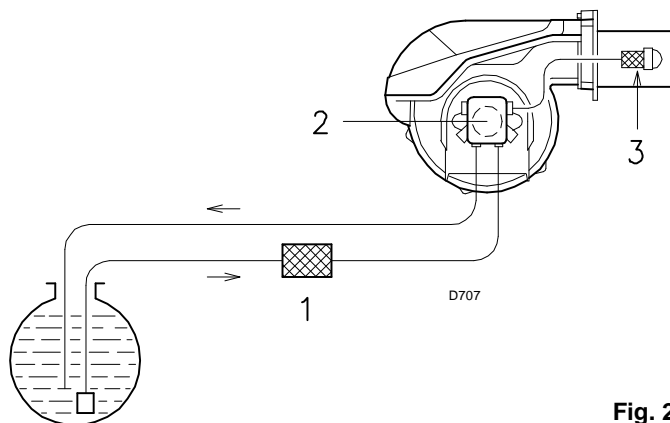


Fig. 24

Ventilador

Verificar que não se tenha acumulado pó no interior do ventilador nem nas pás da turbina: reduz o caudal de ar, provocando uma combustão defeituosa.

Cabeçal de combustão

Verificar que todas as partes do cabeçal estão intactas, que não estão deformadas pelas altas temperaturas, que não têm sujidade proveniente do ambiente e que estão correctamente posicionadas.

Boquilhas

Evitar limpar o orifício das boquilhas.

Substituir as boquilhas a cada 2 ou 3 anos, ou quando for necessário. Quando se substituem, deve ser feita uma análise de combustão.

Fotorresistência (Fig. 25)

Limpar o pó depositado no vidro. Para retirar a fotorresistência 1), puxar para fora.

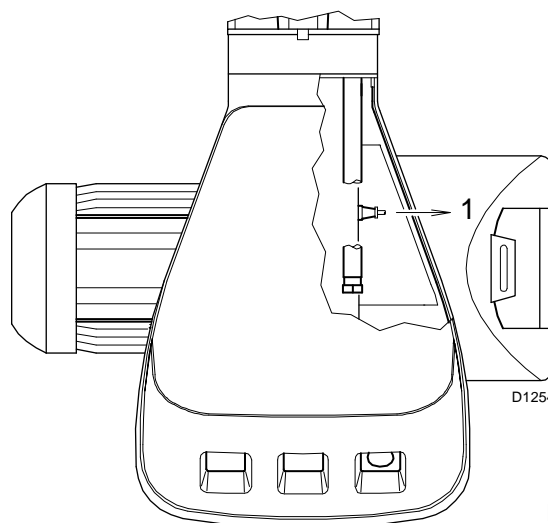


Fig. 25

Visor da chama (Fig. 26)

Limpar o vidro.

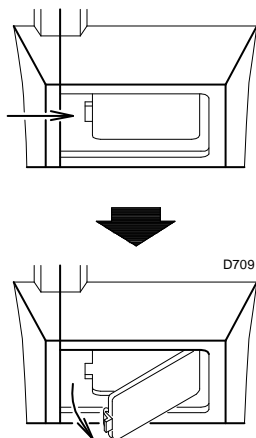


Fig. 26

Tubos flexíveis

Verificar que estão em boas condições.

Depósito de combustível:

A cada 5 anos, aproximadamente, aspirar a água do fundo do depósito com uma bomba independente.

Caldeira

Limpar a caldeira de acordo com as instruções que a acompanham, com a finalidade de poder manter intactas as características de combustão originais, em especial a pressão na câmara de combustão e a temperatura dos fumos.

Para abrir o queimador (Fig. 27)

- Interromper a corrente eléctrica
- Afrouxar os parafusos 1) e retirar a envolvente 2).
- Desenroscar os parafusos 3)
- Montar os 2 prolongadores 4) que são fornecidos com as guias 5)
- Deslocar a parte A, mantendo-(a ligeiramente levantada para não danificar o disco estabilizador 6) do tubo de fogo 7).

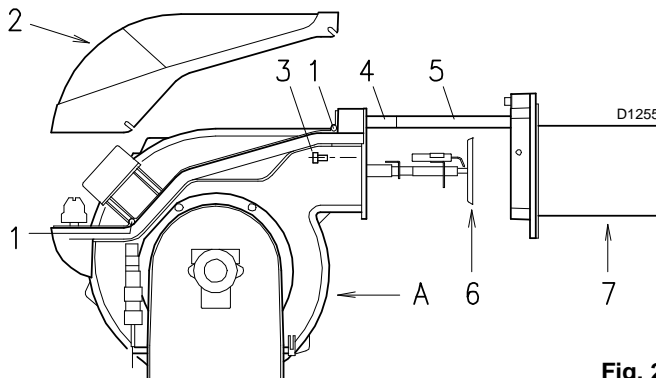


Fig. 27

9.1 Diagnóstico programa de arranque

As indicações que aparecem durante o programa de arranque, estão explicadas na seguinte tabela:

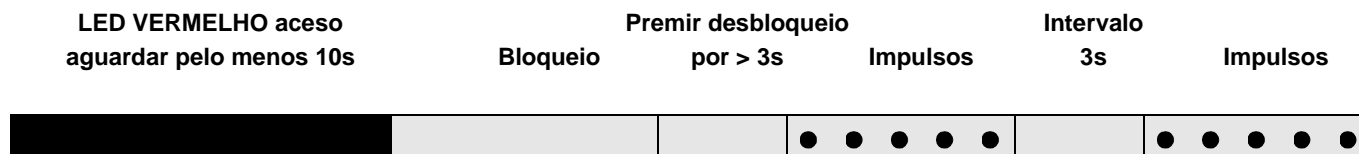
Tabela código cor	
Sequências	Código cor
Pré-ventilação	● ○ ● ○ ● ○ ● ○ ●
Fase de ligação	● ○ ● ○ ● ○ ● ○ ●
Funcionamento com chama ok	□ □ □ □ □ □ □ □ □
Funcionamento com sinal de chama fraca	□ ○ □ ○ □ ○ □ ○ □
Alimentação eléctrica inferior a ~ 170V	● ▲ ● ▲ ● ▲ ● ▲ ●
Bloqueio	▲ ▲ ▲ ▲ ▲ ▲ ▲ ▲ ▲
Luz estranha	▲ □ ▲ □ ▲ □ ▲ □ ▲
Legenda:	○ Apagado ● Amarelo □ Verde ▲ Vermelho

9.2 Desbloqueio do equipamento e utilização do diagnóstico

O equipamento fornecido de série possui uma sua função de diagnóstico, por meio da qual é possível localizar facilmente as eventuais causas de mau funcionamento (sinalização: **LED VERMELHO**).

Para utilizar tal função, é necessário aguardar pelo menos 10 segundos após a colocação da segurança (**bloqueio**) e, em seguida, pressionar o botão de desbloqueio.

O equipamento cria uma sequência de impulsos (à distância de 1 segundo) que se repete a intervalos constantes de 3 segundos. Visualizado o número de sinais intermitentes e identificada a provável causa, é necessário reiniciar o sistema, mantendo o botão pressionado por um período de tempo compreendido entre 1 e 3 segundos.



A seguir, estão ilustrados os métodos possíveis para efectuar o desbloqueio do equipamento e para a utilização do diagnóstico.

9.3 Desbloqueio do equipamento

Para efectuar o desbloqueio do equipamento, agir como segue:

- Premir o botão por um período de tempo compreendido entre 1 e 3 segundos.
O queimador arranca após uma pausa de 2 segundos depois de se ter largado o botão.
No caso em que o queimador não arranque é necessário verificar o fechamento do termóstato limite.

9.4 Diagnóstico visual

Indica o tipo de defeito do queimador que determina o bloqueio do mesmo.

Para visualizar o diagnóstico, agir como segue:

- Com o led vermelho fixo (bloqueio do queimador), manter premido o botão por mais de 3 segundos.
O fim da operação será indicado pelo acender de um led amarelo intermitente.
Soltar o botão após o piscar do led. O número de sinais intermitentes evidencia a causa do mau funcionamento de acordo com a codificação indicada na tabela da Pág. 24.

9.5 Diagnóstico software

Fornecer a análise da vida do queimador por meio da conexão óptica ao PC, indicando as relativas horas de funcionamento, número e tipos de bloqueios, número de série do equipamento etc...

Para visualizar o diagnóstico, agir como segue:

- Com o led vermelho fixo (bloqueio do queimador), manter premido o botão por mais de 3 segundos.

O fim da operação será indicado pelo acender de um led amarelo intermitente.

Soltar o botão por 1 segundo e em seguida, voltar a premi-lo por mais de 3 segundos até à visualização de um ulterior piscar amarelo.

Quando se solta o botão, o led vermelho irá piscar em modo intermitente com frequência elevada: só nessa altura será possível inserir a conexão óptica.

Uma vez executadas as operações, é necessário restabelecer o estado inicial do equipamento por meio do procedimento de desbloqueio acima descrito.

Pressão no botão	Estado do equipamento
De 1 a 3 segundos	Desbloqueio do equipamento sem visualização do diagnóstico visual.
Mais de 3 segundos	Diagnóstico visual da condição de bloqueio: (piscar do led com intermitência de 1 segundo).
Mais de 3 segundos a partir da condição de diagnóstico visual	Diagnóstico software com auxílio de interface óptica e PC (possibilidade de visualização das horas de funcionamento, das anomalias, etc..)

A sequência dos impulsos emitidos pelo equipamento identifica os possíveis tipos de avarias que são ilustrados na tabela da Pág. 24.

SINAL	ANOMALIA	CAUSA PROVÁVEL	SOLUÇÃO ACONSELHADA
Nenhum sinal intermitente	O queimador não arranca	1 - Não há fornecimento de corrente eléctrica 2 - Termóstato de regulação máxima TL aberto 3 - Termóstato de segurança TS aberto 4 - Bloqueio da caixa de controlo 5 - Bloqueio da bomba 6 - Ligações eléctricas incorrectas 7 - Caixa de controlo defeituosa 8 - Motor eléctrico defeituoso	Fechar os interruptores; verificar os fusíveis Regulá-lo ou substituí-lo Regulá-lo ou substituí-lo Desbloqueá-la (10 seg. depois do bloqueio) Substituí-la Controlá-las Substituí-la Substituí-la
2 sinais intermitentes ● ●	Superada a pré-ventilação e o tempo de segurança, o queimador bloqueia-se ao final do tempo de segurança	9 - Falta combustível ou há água no fundo do depósito ... 10 - Cabeçã e registo de ar mal regulados 11 - Electroválvulas gasóleo não abrem (1ª chama ou segurança) 12 - Boquilha da 1ª chama obturada, suja ou deformada ... 13 - Eléctrodos de acendimento mal regulados ou sujos ... 14 - Eléctrodo a massa devido a isolante partido 15 - Cabo de alta tensão defeituoso ou a massa 16 - Cabo de alta tensão deformado por alta temperatura ... 17 - Transformador de acendimento defeituoso 18 - Ligações eléctricas das válvulas ou do transformador incorrectas 19 - Caixa de controlo defeituosa 20 - Bomba não é alimentada 21 - Acoplamento motor-bomba partido 22 - Aspiração da bomba ligada ao tubo de retorno 23 - Válvulas antes da bomba fechadas 24 - Filtros sujos (de linha - da bomba - da boquilha) 25 - Substituir fotorresistência ou caixa de controlo 26 - Fotorresistência suja 27 - 1ª chama do hidráulico defeituosa 28 - Bloqueio do motor 29 - Interruptor do comando do motor defeituoso 30 - Alimentação eléctrica com duas fases intervém o relé . térmico 31 - Motor roda em sentido contrário	Abastecer com combustível ou aspirar a água Regulá-los, ver Pág. 12 e Pág. 18 Verificar as ligações; substituir a bobina Substituí-la Regulá-los ou limpá-los Substituí-la Substituí-la Substituí-lo e protegê-lo Substituí-lo Controlá-las Substituí-la Alimentá-la e ver "bomba que não é alimentada" Substituí-la Corrigir a ligação Abri-las Limpá-los Substituir fotorresistência ou caixa de controlo Limpá-la Substituir hidráulico Desbloquear o relé térmico Substituí-la Desbloquear o relé térmico no retorno das três fases Mudar as ligações eléctricas do motor
4 sinais intermitentes ● ● ● ●	O queimador arranca e bloqueia de imediato	32 - Fotorresistência em curto-circuito 33 - Luz estranha ou simulação de chama	Substituir a fotorresistência Eliminar a luz ou substituir a caixa de controlo

SINAL	ANOMALIA	CAUSA PROVÁVEL	SOLUÇÃO ACONSELHADA
7 sinais intermitentes ● ● ● ● ● ● ●	A chama apaga-se	34 - Cabeçal mal regulado 35 - Eléctrodos de acendimento mal regulados ou sujos 36 - Registo do ventilador mal regulado: excesso de ar 37 - 1a boquilha demasiado grande (pulsações) 38 - 1a boquilha pequena (interrupção chama) 39 - 1a boquilha suja ou deformada. 40 - Pressão da bomba inadequada 41 - Boquilha 1ª chama inadequada ao queimador ou caldeira 42 - Boquilha 1ª chama defeituosa	Regulá-lo, ver Pág. 12, Fig. 13 Regulá-los, ver Pág. 12, Fig. 9 ou limpá-los Regulá-lo Reduzir o caudal da 1a boquilha Aumentar o caudal da 1a boquilha Substituí-la Regulá-la: compreendida entre 10 e 14 bar Ver tabela boquilhas, Pág. 11, reduzir boquilha 1ª chama Substituí-la
	O queimador não passa à 2ª chama	43 - Termóstato TR não fecha 44 - Caixa de controlo defeituosa 45 - Bobina da electroválvula de 2ª chama defeituosa	Regulá-lo ou substituí-lo Substituí-la Substituí-la
	O combustível passa à 2ª chama e o ar fica na 1ª chama.	46 - Pressão da bomba é baixa 47 - 2ª chama do hidráulico defeituosa	Aumentá-la Substituir hidráulico
	O queimador pára ao passar da 1ª à 2ª chama ou da 2ª à 1ª. O queimador repete o ciclo de arranque.	48 - Boquilha suja 49 - Fotorresistência suja. 50 - Demasiado ar	Substituí-la Limpá-la Reduzi-lo
	Alimentação de combustível irregular	51 - Ver se a causa está na bomba ou no equipamento de . . alimentação	Alimentar o queimador por um depósito colocado junto do queimador
	Pompa arrugginita internamente	52 - Água no depósito	Aspirar o fundo do depósito com uma bomba
	A bomba produz ruído; pressão pulsante	53 - Entrada do ar no tubo de aspiração - Depressão muito elevada (superior a 35 cm Hg): 54 - Desnível queimador-depósito demasiado grande 55 - Diâmetro do tubo demasiado pequeno. 56 - Filtros de aspiração sujos 57 - Válvulas de aspiração fechadas 58 - Solidificação da parafina devido a baixa temperatura . .	Bloquear os racords Alimentar o queimador com o circuito em anel Aumentá-lo Limpá-los Abri-las Juntar aditivo ao gasóleo
	A bomba está desferrada depois de uma paragem prolongada	59 - Tubo de retorno não está imerso no combustível. 60 - Entrada de ar no tubo de aspiração	Situá-lo à mesma altura do tubo de aspiração Bloquear os racords
	A bomba perde gasóleo	61 - Fuga pelo retentor.	Substituir bomba
	Chama com fumo - Bacharach escuro - Bacharach amarelo	62 - Pouco ar 63 - Boquilha suja ou desgastada 64 - Filtro da boquilha sujo. 65 - Pressão da bomba incorrecta 66 - Espiral estabilizador chama suja, frouxa ou deformada . 67 - Abertura da ventilação sala caldeira insuficiente 68 - Demasiado ar	Regular o cabeçal e o registo de ar do ventilador, ver Pág. 12 e Pág. 18. Substituí-la Limpá-lo ou substituí-lo Regulá-la: compreendida entre 10 e 14 bar Limpá-la, apertá-la ou substituí-la Aumentá-la Regular o cabeçal e o registo de ar do ventilador, ver Pág. 12 e Pág. 18.
	Cabeçal de combustão sujo	69 - Boquilha ou orifício da boquilha sujo 70 - Ângulo ou caudal da boquilha inadequados 71 - Boquilha frouxa 72 - Impurezas do ambiente na espiral estabilizador. 73 - Regulação do cabeçal incorrecta ou pouco ar 74 - Comprimento do tubo de fogo inadequado à caldeira . .	Substituí-la Ver boquilhas aconselhadas, Pág. 11 Apertá-la Limpá-la Regulá-lo, ver Pág. 18, abrir o registo de ar Consultar o fabricante da caldeira
10 sinais intermitentes ● ● ● ● ● ● ● ● ● ●	O queimador bloqueia-se	75 - Erro de ligação ou avaria interna 76 - Presença de distúrbios electromagnéticos	Utilizar o kit protecção contra as rádio-interferências

RIELLO

RIELLO S.p.A.

I-37045 Legnago (VR)

Tel.: +39.0442.630111

[http:// www.riello.it](http://www.riello.it)

[http:// www.rielloburners.com](http://www.rielloburners.com)