

- GB** Light oil burners
- E** Quemadores de gasóleo
- P** Queimadores a gasóleo

Two stage operation
Funcionamiento a 2 llamas
Funcionamento a 2 chamas



CODE - CÓDIGO	MODEL - MODELO	TYPE - TIPO
3470200 - 3470210	RL 34 MZ	972 T
3470201 - 3470211	RL 34 MZ	972 T
3470300 - 3470310	RL 44 MZ	973 T
3470301 - 3470311	RL 44 MZ	973 T
3470330 - 3470340	RL 44 MZ	973 T
3470331 - 3470341	RL 44 MZ	973 T

CONFORMITY DECLARATION A.R. 8/1/2004 & 17/7/2009 – Belgium

Manufacturer: RIELLO S.p.A.
I - 37045 Legnago (VR)
Tel. +39.0442.630111
[http:// www.rielloburners.com](http://www.rielloburners.com)

Put into circulation by: RIELLO NV
Ninovesteenweg 198
9320 Erembodegem
Tel. (053) 769 030
Fax. (053)789 440
e-mail. info@riello.be
URL. www.riello.be

It is hereby certified that the apparatuses specified below conform with the model of the type described in the CE conformity declaration and they are produced and placed in circulation in conformity with the provisions defined in L.D. dated January 8, 2004 and 17 July 2009.

Type of product: Light oil burners

		Model	
		972 T	973 T
		RL 34 MZ	RL 44 MZ
VALUES MAX	NOx (mg/kWh)	95	110
	CO (mg/kWh)	8	6

Standard applied: EN 267 and A.R. Dated 8 January, 2004 - 17 July 2009.

Legnago, 02.01.2012

Mr. G. Conticini
Burners Division Department
RIELLO S.p.A.



- ▶ The burner has **CE marking** and conforms to the basic requisites of the following Directives:
 - Electromagnetic Compatibility Directive 2004/108/EC;
 - Low Voltage Directive 2006/95/EC;
 - Machine Directive 2006/42/EC;
 - Efficiency Directive 92/42/EEC.
- ▶ The burner meets protection level of IP 40 pursuant to EN 60529 standard.

IDENTIFICATION

The Identification Plate on the product gives the serial number, model and main technical and performance data. If the Identification Plate is tampered with, removed or missing, the product cannot be clearly identified thus making any installation or maintenance work potentially dangerous.

GENERAL WARNINGS

The dimension of the boiler's combustion chamber must respond to specific values, in order to guarantee a combustion with the lowest polluting emissions rate.

You are therefore advised to consult the Technical Assistance Department before choosing this type of burner for the combination with a boiler.

Qualified personnel are those with the professional and technical requirements indicated by law no. 46 dated March 5, 1990. The commercial organisation has a widespread network of agencies and technical offices whose personnel participates periodically in instructional and refresher courses at the company training centre.

This burner must only be used for the application it was designed for.

The manufacturer cannot accept liability for any damage to persons, animals or property due to error in installation or in the burner adjustment, or due to improper or unreasonable use or non observance of the technical instruction enclosed with the burner, or due to the intervention of unqualified personnel.

USER INFORMATION


If faults arise in ignition or operations, the burner performs a "safety stop", which is signalled by the red burner lock out Led. To rearm start up conditions, press the release button. When the burner starts up again, the red Led goes out.

This operation can be repeated a maximum of 3 times. If the "safety stop" recurs, then the Technical Assistance Centre must be called out.

BASIC SAFETY MEASURES

- ▶ Children or inexpert persons must not use the appliance.
- ▶ Under no circumstances must the intake grids, dissipation grids and ventilation vents in the installation room be blocked with cloths, paper or any other material.
- ▶ Unauthorised persons must not attempt to repair the appliance
- ▶ It is dangerous to pull or twist the electric leads.
- ▶ Cleaning operations must not be performed if the appliance is not disconnected from the main power supply.
- ▶ Do not clean the burner or its parts with inflammable substances (e.g. petrol, alcohol, etc.). The cover must be cleaned with soapy water.
- ▶ Do not place anything on the burner.
- ▶ Do not leave containers and inflammable products in the installation room.

The following symbols are used in this manual:

 **ATTENTION** = for actions requiring special care and adequate preparation.

 **FORBIDDEN** = for actions **THAT MUST NOT** be performed.

TECHNICAL DATA	page 2
Variants	2
Accessories	2
Burner description	3
Packaging - Weight	3
Max. dimensions	3
Standard equipment	3
Firing rates	4
Test boiler	4
INSTALLATION	5
Operating position	5
Boiler plate	5
Blast tube length	5
Securing the burner to the boiler	5
Choice of nozzles for 1st and 2nd stage	6
Nozzle assembly	7
Combustion head adjustment	8
Hydraulic system	9
Pump	10
Pump priming	10
Burner calibration	11
Burner operation	12
Final checks	13
Maintenance	13
Burner start-up cycle diagnostics	15
Resetting the control box and using diagnostics	15
Faults - Possible causes - Solutions	16
APPENDIX	17
Electrical wiring	17
Electrical panel layout	18

N.B.

Figures mentioned in the text are identified as follows:

- 1)(A) = Part 1 of figure A, same page as text;
- 1)(A)p.3 = Part 1 of figure A, page number 3.

NOTE

In conformity with Efficiency Directive 92/42/EEC the application of the burner on the boiler, adjustment and testing must be carried out observing the instruction manual of the boiler, including verification of the CO and CO₂ concentration in the flue gases, their temperatures and the average temperature of the water in the boiler.

INFORMATION ABOUT THE INSTRUCTION MANUAL

INTRODUCTION

The instruction manual supplied with the burner:

- is an integral and essential part of the product and must not be separated from it; it must therefore be kept carefully for any necessary consultation and must accompany the burner even if it is transferred to another owner or user, or to another system. If the manual is lost or damaged, another copy must be requested from the Technical Assistance Service **RIELLO** of the area;
- is designed for use by qualified personnel;
- offers important indications and instructions relating to the installation safety, start-up, use and maintenance of the burner.

DELIVERY OF THE SYSTEM AND THE INSTRUCTION MANUAL

When the system is delivered, it is important that:

- The instruction manual is supplied to the user by the system manufacturer, with the recommendation to keep it in the room where the heat generator is to be installed.
- The instruction manual shows:
 - the serial number of the burner;

.....

- the address and telephone number of the nearest Assistance Centre;

.....

.....

.....

- The system supplier carefully informs the user about:
 - the use of the system,
 - any further tests that may be necessary before the system is started up,
 - maintenance and the need to have the system checked at least once a year by the manufacturer or another specialised technician.

To ensure a periodic check, **RIELLO** recommends the drawing up of a Maintenance Contract.

TECHNICAL DATA

MODEL			RL 34 MZ	RL 44 MZ	RL 44 MZ
TYPE			972 T	973 T	973 T
POWER ⁽¹⁾	2nd stage	kW	154 - 395	235 - 485	235 - 485
OUTPUT ⁽¹⁾		Mcal/h	132 - 340	204 - 418	204 - 418
		kg/h	13 - 33.6	20 - 41	20 - 41
	1st stage	kW	97 - 154	155 - 235	155 - 235
		Mcal/h	83 - 133	133 - 204	133 - 204
		kg/h	8.3 - 13	13 - 20	13 - 20
FUEL			LIGHT OIL		
- net calorific value		kWh/kg	11.8		
		Mcal/kg	10.2 (10,200 kcal/kg)		
- density		kg/dm ³	0.82 - 0.85		
- viscosity at 20 °C		mm ² /s max	6 (1.5 °E - 6 cSt)		
OPERATION			<ul style="list-style-type: none"> Intermittent (min. 1 stop in 24 hours). Two-stage (high and low flame) and single-stage (all - nothing). 		
NOZZLES		number	2		
STANDARD APPLICATIONS			Boilers: water. steam. diathermic oil		
AMBIENT TEMPERATURE		°C	0 - 40		
COMBUSTION AIR TEMPERATURE		°C max	60		
ELECTRICAL SUPPLY		V	230 ~ +/-10%		230 - 400 with neutral ~ +/-10%
		Hz	50/60 - single-phase		50/60 - three-phase
ELECTRIC MOTOR		rpm	2800	2800	2800
		W	300	420	450
		V	220 - 240	220 - 240	220/240 - 380/415
		A	2.4	3.0	2.0 - 1.2
MOTOR CAPACITOR		µF/V	12.5/450	12.5/450	
IGNITION TRANSFORMER		V1 - V2	230 V - 2 x 12 kV		
		I1 - I2	0.2 A - 30 mA		
PUMP	output (at 12 bar)	kg/h	45	67	67
	pressure range	bar	7 - 14	10 - 20	10 - 20
	fuel temperature	°C max	60	60	60
ELECTRICAL POWER CONSUMPTION		W max	600	700	750
NOISE LEVEL ⁽²⁾		dB(A)	68	70	
SOUND PRESSURE			79	81	
SOUND POWER					

(1) Reference conditions: Ambient temperature 20°C - Barometric pressure 1013 mbar - Altitude 0 m a.s.l.

(2) Noise emission tests carried out as specified in EN 15036-1 with measurement accuracy $\sigma = \pm 1.5$ dB, in the manufacturer's combustion chamber with burner operating on test boiler at maximum output.

VARIANTS

Model	Code	Electrical supply	Blast tube length mm
RL 34 MZ	3470200 - 3470210	single-phase	216
	3470201 - 3470211	single-phase	351
RL 44 MZ	3470300 - 3470310	single-phase	216
	3470301 - 3470311	single-phase	351
	3470330 - 3470340	three-phase	216
	3470331 - 3470341	three-phase	351

ACCESSORIES (optional):

• LONG HEAD KIT:

Burner	RL 34 MZ	RL 44 MZ
	Code 3010426	Code 3010425

• CLEAN CONTACT KIT	Code 3010419
• KIT POST-PURGING	Code 3010453
• KIT HOURCOUNTER	Code 3010450
• KIT GROUND FAULT INTERRUPTER	Code 3010448
• RADIO DISTURBANCE PROTECTION KIT If the burner is installed in places particularly subject to radio disturbance (emission of signals exceeding 10 V/m) owing to the presence of an INVERTER, or in applications where the length of the thermostat connections exceeds 20 metres, a protection kit is available as an interface between the control box and the burner.	Code 3010386

• DEGASSING UNIT

It may occur that a certain amount of air is contained in the light oil sucked up by the pump. This air may originate from the light oil itself as a consequence of depressurisation or air leaking past imperfect seals. In double-pipe systems, the air returns to the tank from the return pipe; in single-pipe systems, the air remains in circulation causing pressure variations in the pump and burner malfunctions.

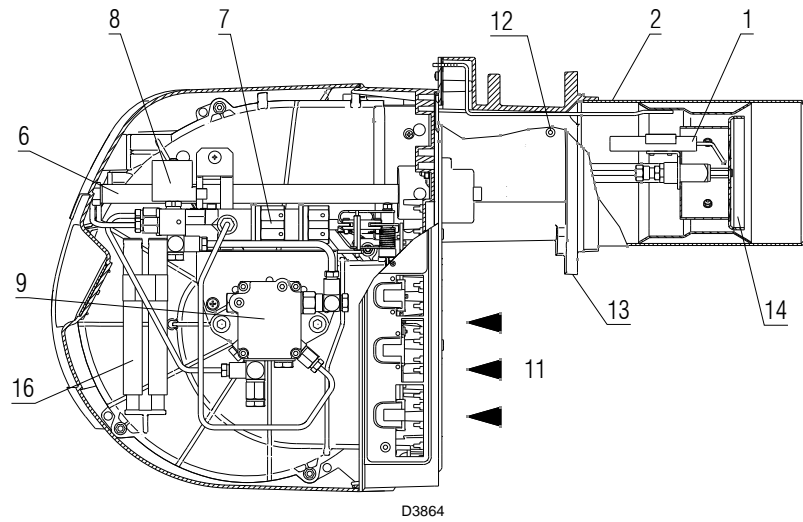
For this reason, we advise installing a degassing unit near the burner in single-pipe installations. Degassing units are provided in two versions:

CODE **3010054** without filter

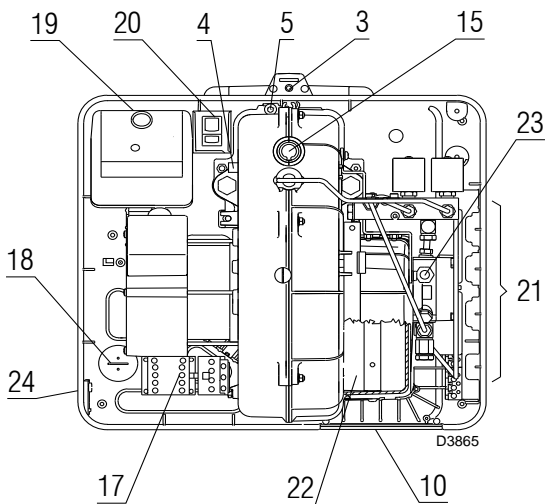
CODE **3010055** with filter

Degassing unit characteristics

- Burner output : 80 kg/h max
- Light oil pressure : 0.7 bar max
- Ambient temperature : 40 °C max
- Light oil temperature : 40 °C max
- Attachment connectors : 1/4 inch



D3864



D3865

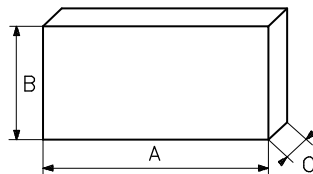
BURNER DESCRIPTION (A)

- 1 Ignition electrodes
- 2 Combustion head
- 3 Screw for combustion head adjustment
- 4 Photocell for flame presence control
- 5 Screw for fixing fan to flange
- 6 Slide bars for opening the burner and inspecting the combustion head
- 7 Hydraulic cylinder for regulation of the air gate valve in 1st and 2nd stage positions. When the burner is not operating the air gate valve is fully closed in order to reduce heat dispersion from the boiler due to the flue draught which draws air from the fan suction inlet.
- 8 1st and 2nd stage valve assembly
- 9 Pump
- 10 Plate prearranged to drill 4 holes for the passage of hoses and electrical cables.
- 11 Air inlet to fan
- 12 Fan pressure test point
- 13 Boiler mounting flange
- 14 Flame stability disk
- 15 Flame inspection window
- 16 Extensions for slide bars 6)
- 17 Motor contactor and thermal RELAY reset button (RL 44 three-phase MZ)
- 18 Motor capacitor (RL 34 MZ - RL 44 MZ single-phase)
- 19 Control box with lockout pilot light and lock-out reset button
- 20 Two switches:
 - one "burner off - on"
 - one for "1st - 2nd stage operation"
- 21 Sockets for electrical connections
- 22 Air damper
- 23 Pump pressure adjustment
- 24 Plate prearranged to drill 2 holes for the passage of hoses.

Two types of burner failure may occur:
Control box lockout: if the control box 19)(A) pushbutton (red led) lights up, it indicates that the burner is in lockout.
 To reset, hold the pushbutton down for between 1 and 3 seconds.
Motor lockout (RL 44 MZ three-phase): release by pressing the pushbutton on thermal relay 17)(A).

(A)

mm	A	B	C	kg
RL 34 MZ	1000	500	485	32
RL 44 MZ	1000	500	485	33



PACKAGING-WEIGHT (B) - approximate measurements

- The burners are shipped in cardboard boxes with the maximum dimensions shown in table (B).
- The weight of the burner complete with packaging is indicated in table (B).

MAX. DIMENSIONS (C) - approximate measurements.

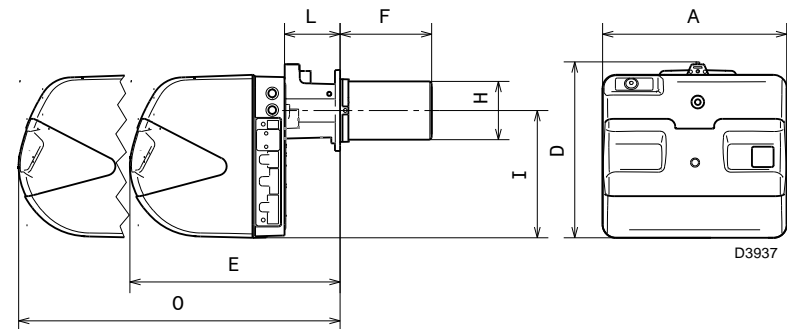
The maximum dimensions of the burner are given in (C).
 Bear in mind that inspection of the combustion head requires the burner to be opened and the rear part withdrawn on the slide bars.
 The maximum dimension of the burner, without casing, when open is given by measurement O.

(B)

D88

STANDARD EQUIPMENT

- 2 - Flexible hoses
- 2 - Gaskets for flexible hoses
- 2 - Nipples for flexible hoses
- 1 - Thermal insulation screen
- 2 - Extensions 16)(A) for slide bars 6)(A)(for model with 351 mm blast tube)
- 4 - Screws to secure the burner flange to the boiler: M 8 x 25
- 2 - Plugs for electrical connections (RL 34 MZ and 44 MZ single-phase)
- 3 - Plugs for the electrical connection (RL 44 MZ three-phase)
- 1 - Instruction booklet
- 1 - Spare parts list

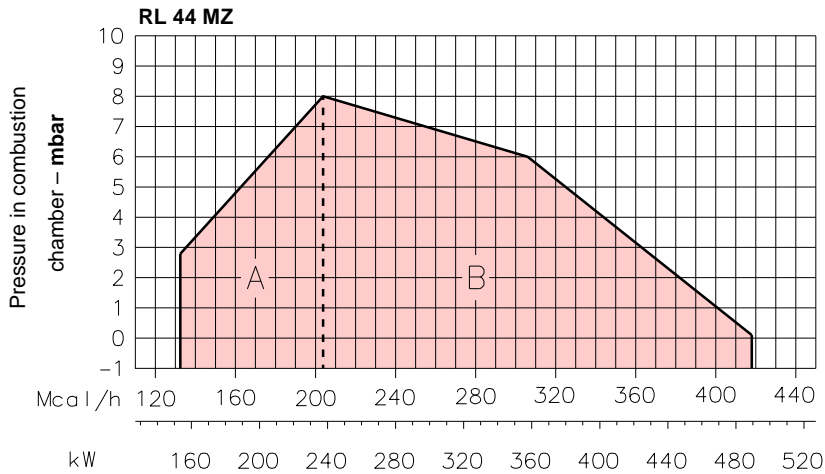
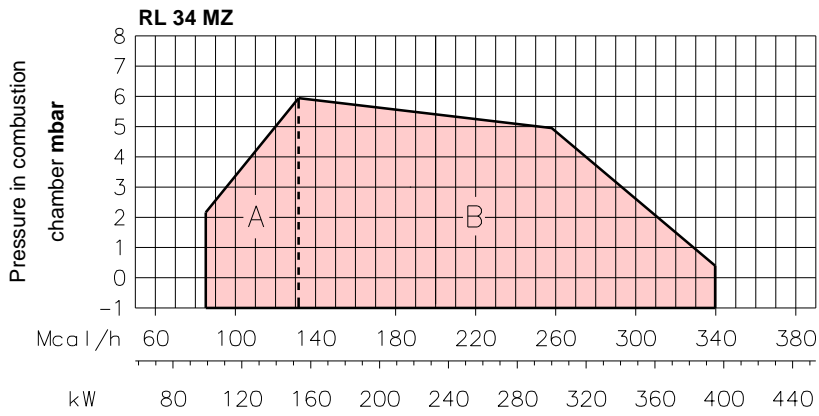


D3937

mm	A	D	E	F ⁽¹⁾	H	GB	L	O ⁽¹⁾
RL 34 MZ	442	422	508	216 - 351	140	305	138	780 - 915
RL 44 MZ	442	422	508	216 - 351	152	305	138	780 - 915

(1) Blast tube: short-long

(C)



FIRING RATES (A)

The RL 34 MZ - RL 44 MZ model burners can work in two ways: one-stage and two-stage.

1st stage OUTPUT must be selected within area A of the adjacent diagrams.

2nd stage OUTPUT must be within area B. This are supplies the maximum output of the burner according to the pressure in the combustion chamber.

The work point may be found by plotting a vertical line from the desired delivery and a horizontal line from the pressure in the combustion chamber. The intersection of these two lines is the work point which must lie within area B.

Attention:

The FIRING RATE area values have been obtained considering a surrounding temperature of 20 °C, and an atmospheric pressure of 1013 mbar (approx. 0 m above sea level) and the combustion head adjusted as shown on page 7.

TEST BOILER (B)

The firing rate was set in relation to special test boilers in accordance with the methods defined in EN 267 standards.

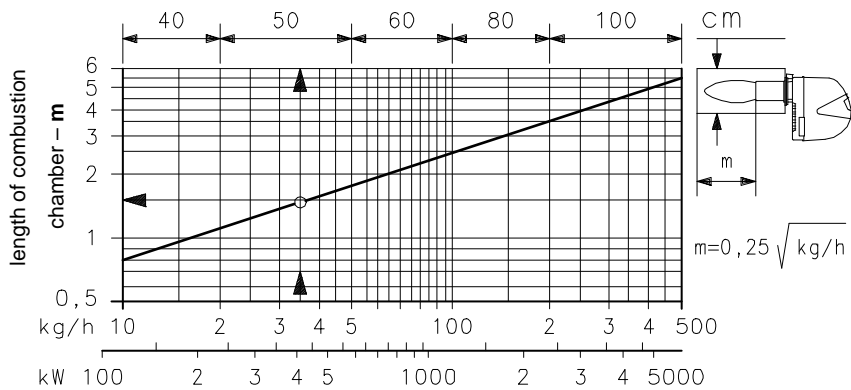
Figure (B) indicates the diameter and length of the test combustion chamber.

Example Output 35 kg/hour:
diameter = 50 cm; length = 1.5 m.

Whenever the burner is operated in a much smaller commercially-available combustion chamber, a preliminary test should be performed.

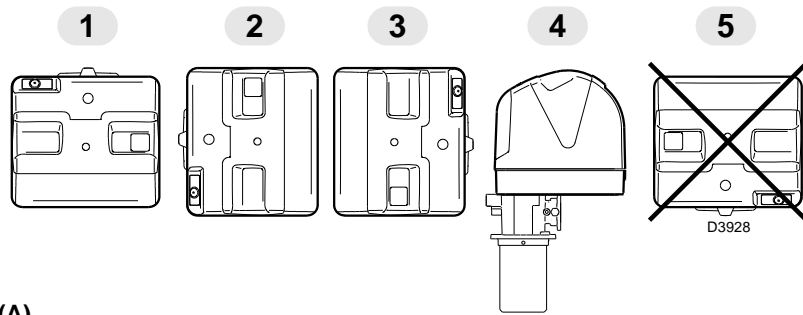
(A)

D3866



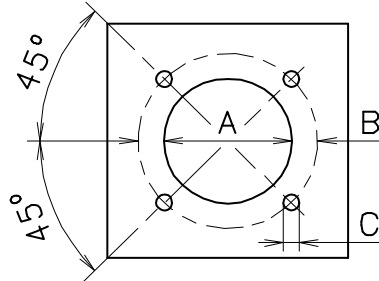
(B)

D454



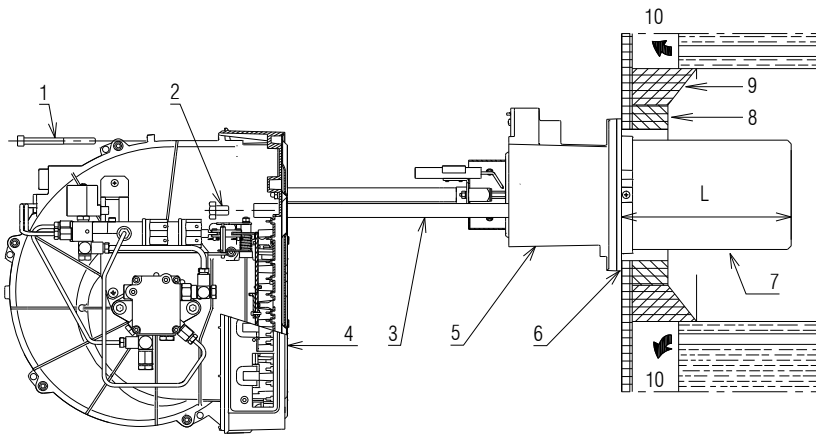
(A)

mm	A	B	C
RL 34 MZ	160	224	M 8
RL 44 MZ	160	224	M 8



(B)

D455



(C)

D3867

INSTALLATION

⚠ THE BURNER MUST BE INSTALLED IN CONFORMITY WITH LEGISLATION AND LOCAL STANDARDS.

OPERATING POSITION (A)

⚠ The burner is designed to work only in the positions **1, 2, 3 and 4**.

Installation **1** is preferable, as it is the only one that allows performing maintenance operations as described in this manual. Installations **2, 3 and 4** permit operation but make maintenance and inspection of the combustion head difficult, page 14.

⊘ Any other position could compromise the correct working of the appliance. Installation **5** is prohibited for safety reasons.

BOILER PLATE (B)

Drill the combustion chamber locking plate as shown in (B). The position of the threaded holes can be marked using the thermal screen supplied with the burner.

BLAST TUBE LENGTH (C)

The length of the blast tube must be selected according to the indications provided by the manufacturer of the boiler, and in any case it must be greater than the thickness of the boiler door complete with its fettling. The range of lengths available, L, is as follows:

Blast tube 7):	RL 34 MZ	RL 44 MZ
• short	216	216
• long	351	351

For boilers with front flue passes 10) or flame inversion chambers, protective fettling in refractory material 8) must be inserted between the boiler's fettling 9) and the blast tube 7).

This protective fettling must not compromise the extraction of the blast tube.

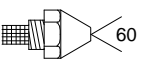
For boilers having a water-cooled front the refractory fettling 8)-9)(C) is not required unless it is expressly requested by the boiler manufacturer.

SECURING THE BURNER TO THE BOILER (C)

Dismantle the nozzle assembly 7) and the pipe coupling 5) from the burner 4):

- Remove the screws 2) from the two slide bars 3).
- Remove the screw 1) and move the burner on the guides 3).

Fix assembly 5) and 7) (C) to the boiler plate and insert the supplied insulating gasket 6) C). Use the four screws supplied after protecting the thread with antiseizing products. The burner-boiler seal must be airtight.

	GPH	kg/h (1)			kW 12 bar	Nozzles recommended
		10 bar	12 bar	14 bar		
RL 34 MZ	1.00	3.9	4.3	4.7	51.0	DANFOSS 60° H DELAVAN 60° A MONARCH 60° PL HAGO 60° P
	1.25	4.8	5.4	5.8	64.0	
	1.50	5.8	6.5	7.0	77.0	
	1.75	6.8	7.5	8.2	89.0	
	2.00	7.7	8.5	9.2	100.8	
	2.25	8.6	9.5	10.4	112.7	
	2.50	9.6	10.6	11.5	125.7	
	2.75	10.7	11.8	12.8	139.3	
	3.00	11.5	12.7	13.8	150.6	
	3.25	12.4	13.7	14.9	162.5	
	3.50	13.5	14.8	16.1	175.5	
	4.00	15.6	17.2	18.7	203.5	
	4.50	17.3	19.1	20.7	226.5	
RL 44 MZ	1.50	5.8	6.5	7.0	77.0	DELAVAN 45° A MONARCH 45° PL-PLP HAGO 60° P
	1.75	6.8	7.5	8.2	89.0	
	2.00	7.7	8.5	9.2	100.8	
	2.25	8.6	9.5	10.4	112.7	
	2.50	9.6	10.6	11.5	125.7	
	2.75	10.7	11.8	12.8	139.3	
	3.00	11.5	12.7	13.8	150.6	
	3.50	13.5	14.8	16.1	175.5	
	4.00	15.4	17.0	18.4	201.6	
	4.50	17.3	19.1	20.7	226.5	
	5.00	19.2	21.2	23.0	251.4	
	5.50	21.1	23.3	25.3	276.3	
	6.00	23.1	25.5	27.7	302.4	

(1) light oil: density 0.84 kg/dm³
viscosity 4.2 cSt/20 °C
temperature 10 °C

(A)

CHOICE OF NOZZLES FOR 1st AND 2nd STAGE

The burner complies with the emission requirements of the EN 267 standard.

In order to guarantee that emissions do not vary, recommended and/or alternative nozzles specified by Riello in the Instruction and warning booklet should be used.

Warning: It is advisable to replace nozzles every year during regular maintenance operations.

Caution: The use of nozzles other than those specified by Riello S.p.A. and inadequate regular maintenance may result into emission limits non-conforming to the values set forth by the regulations in force, and in extremely serious cases, into potential hazards to people and objects.

The manufacturing company shall not be liable for any such damage arising from nonobservance of the requirements contained in this manual.

Both nozzles must be chosen from among those listed in table (A).

The first nozzle determines the delivery of the burner in the 1st stage.

The second nozzle works together with the 1st nozzle to determine the delivery of the burner in the 2nd stage.

The deliveries of the 1st and 2nd stages must be contained within the value range indicated on page 2.

Use nozzles with a 60° spray angle at the recommended pressure of 12 bar.

The two nozzles usually have equal deliveries, but the 1st stage nozzle may have the following specifications if required:

- a delivery less than 50% of the total delivery whenever the back-pressure peak must be reduced at the moment of firing;
- a delivery higher than 50% of the total delivery whenever the combustion during the 1st stage must be improved.

Example with RL 34 MZ

Boiler power = 270 kW - efficiency 90%

Power required by the burner =

$$270 : 0.9 = 300 \text{ kW}$$

$$300 : 2 = 150 \text{ kW per nozzle}$$

therefore, two equal, 60°, 12 bar nozzles are required:

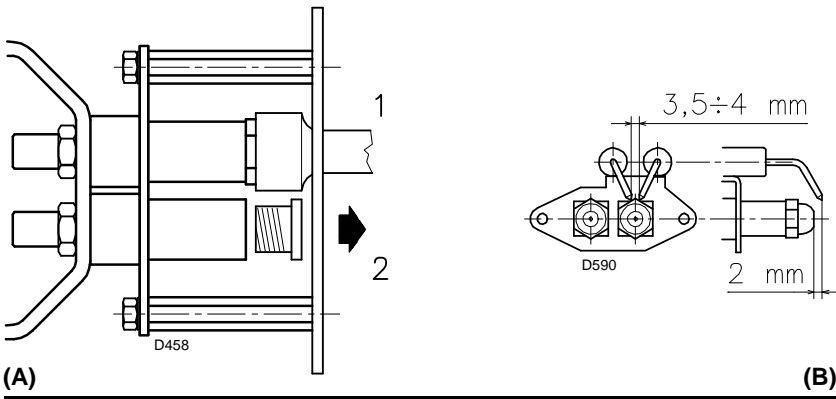
$$1^\circ = 3.00 \text{ GPH} - 2^\circ = 3.00 \text{ GPH},$$

or the following two different nozzles:

$$1^\circ = 2.50 \text{ GPH} - 2^\circ = 3.50 \text{ GPH},$$

or:

$$1^\circ = 3.50 \text{ GPH} - 2^\circ = 2.50 \text{ GPH}.$$



NOZZLE ASSEMBLY

At this stage of installation the burner is still disassembled from the blast tube; it is therefore possible to fit two nozzles with the box spanner 1) (A) (16 mm), after having removed the plastic plugs 2)(A), fitting the spanner through the central hole in the flame stability disk. Do not use any sealing products such as gaskets, sealing compound, or tape. Be careful to avoid damaging the nozzle sealing seat. The nozzle must be screwed into place tightly but not to the maximum torque value provided by the wrench. The nozzle for the 1st stage of operation is the one lying beneath the firing electrodes fig. (B)

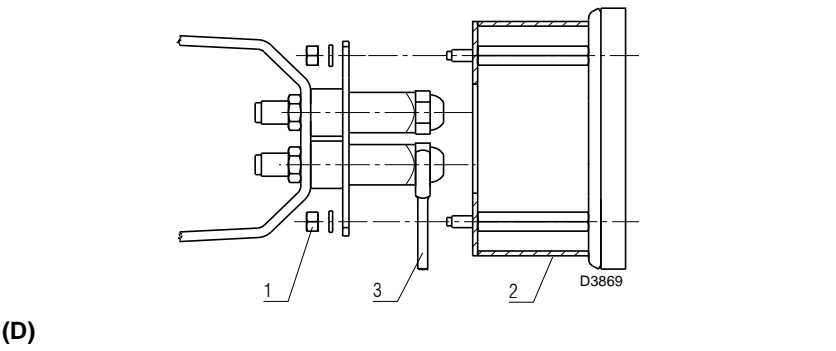
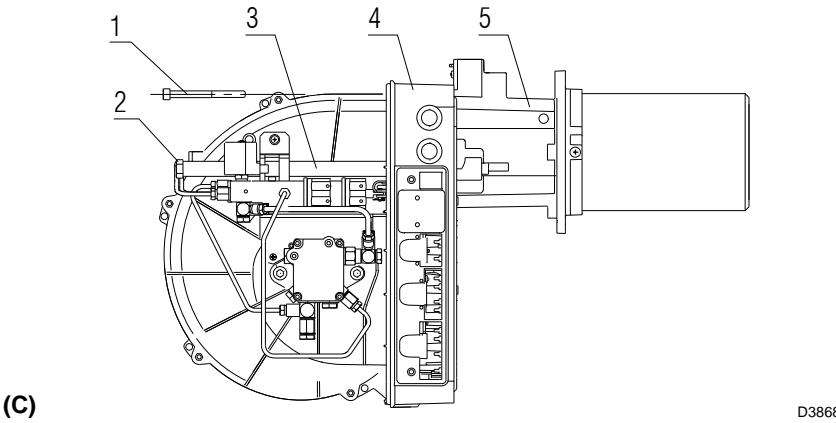
Make sure that the electrodes are positioned as shown in fig. (B).

Finally remount the burner 4)(C) to the slide bars 3) and slide it up to the flange 5), keeping it slightly raised to prevent the flame stability disk from pressing against the blast tube.

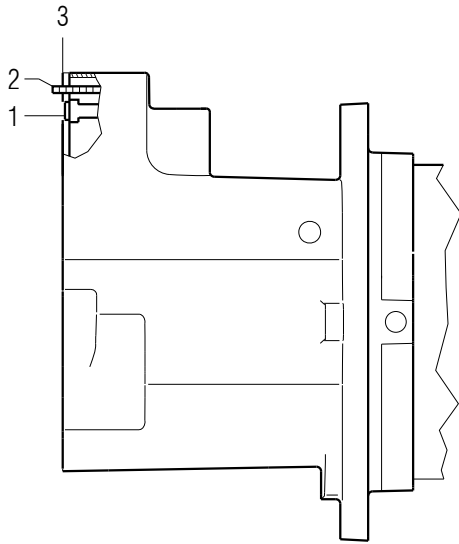
Tighten the screws 2) on the slide bars 3) and screw 1) that attaches the burner to the flange.

If it proves necessary to change a nozzle with the burner already fitted to the boiler, proceed as outlined below:

- Open the burner on its guides as shown in fig. (C) p.5.
- Remove the nuts 1)(D) and the diffuser disc assembly 2)
- Use spanner 3)(D) to change the nozzles.

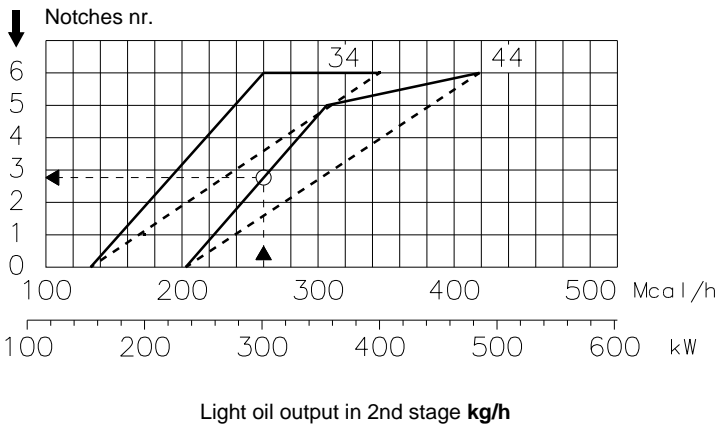


COMBUSTION HEAD ADJUSTMENT



(A)

D3910



(B)

D3870

COMBUSTION HEAD ADJUSTMENT

At this point of the installation, nozzle and pipe coupling are fixed to the boiler as in fig. (C) p. 5. The setting of the combustion head depends exclusively on the output of the burner in the 2nd stage - in other words, the combined output of the two nozzles selected on page 6 is a particularly simple operation.

Turn screw 1)(A) until the notch on the sheet 2(A) is level with the plate 3)(A).

Example

The RL 44 MZ Model with two 3.00 GPH nozzles and 12 bar pump pressure.

Find the delivery of the two 3.00 GPH nozzles in table (A), page 6:

$$12.7 + 12.7 = 25.4 \text{ kg/h}$$

(corresponding to 300 kW).

Diagram (B) shows that for an output of 25.4 kg/h the burner RL 44 MZ needs a combustion head notch regulation 3 approx.

Note

If the pressure in the chamber is equal to 0 mbar, the air must be adjusted with reference to the hatched line on the diagram (B).

Once the regulation of the head has been concluded, refit the burner 4)(C)p.5 on the guides 3)(C)p.5 at approximately 100 mm from the pipe coupling 5)(C).5, insert the electrode cables and then slide the burner as far as the pipe coupling. Replace the screws 2)p.5 on the guides 3)p.5. Fix the burner to the pipe coupling with the screw 1)p.5.

Attention

On closing the burner on the two guides it is advisable to gently pull the high voltage wires outwards until they are under slight tension.

HYDRAULIC SYSTEM

FUEL SUPPLY

Double-pipe circuit (A)

The burner is equipped with a self-priming pump which is capable of feeding itself within the limits listed in the table at the side.

The tank higher than the burner A

The distance "P" must not exceed 10 meters in order to avoid subjecting the pump's seal to excessive strain; the distance "V" must not exceed 4 meters in order to permit pump self-priming even when the tank is almost completely empty.

The tank lower than the burner B

Pump depression values higher than 0.45 bar (35 cm Hg) must not be exceeded because at higher levels gas is released from the fuel, the pump starts making noise and its working life-span decreases.

It is good practice to ensure that the return and suction lines enter the burner from the same height; in this way it will be less probable that the suction line fails to prime or stops priming.

The loop circuit

A loop circuit consists of a loop of piping departing from and returning to the tank with an auxiliary pump that circulates the fuel under pressure. A branch connection from the loop goes to feed the burner. This circuit is extremely useful whenever the burner pump does not succeed in self-priming because the tank distance and/or height difference are higher than the values listed in the table.

Key to lay-out (A)

H = Pump/Foot valve height difference

L = Piping length

Ø = Inside pipe diameter

1 = Burner

2 = Pump

3 = Filter

4 = Manual on/off valve

5 = Suction line

6 = Foot valve

7 = Rapid closing manual valve remote controlled (only Italy)

8 = On/off solenoid valve (only Italy)

9 = Return line

10 = Check valve (only Italy)

HYDRAULIC CONNECTIONS (B)

The pumps are equipped with a by-pass that connects return line with suction line. The pumps are installed on the burner with the by-pass closed by screw 6)(B)p.11.

It is therefore necessary to connect both hoses to the pump.

The pump will break down immediately if it is run with the return line closed and the by-pass screw inserted.

Remove the plugs from the suction and return connections of the pump.

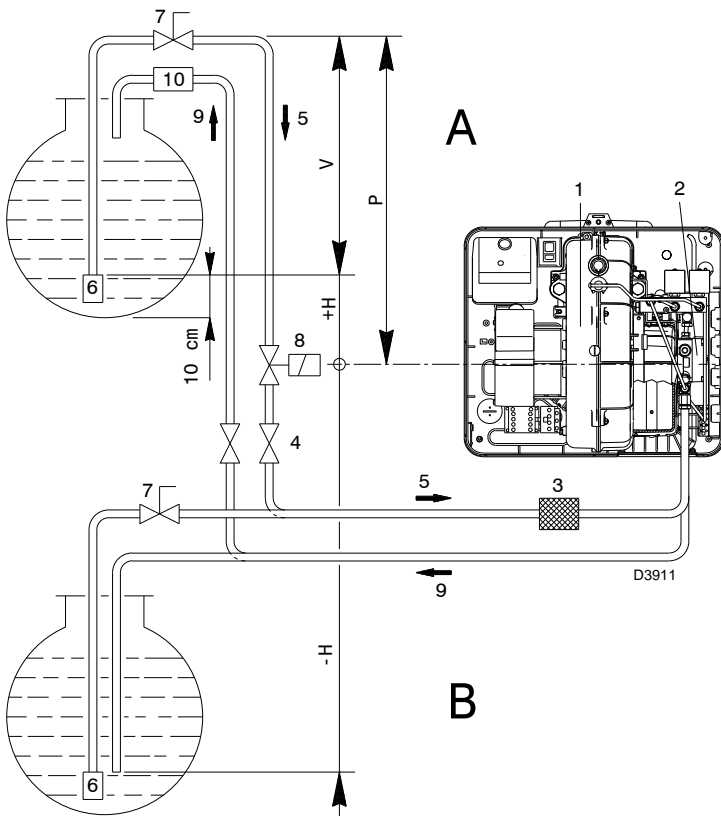
Insert the hose connections with the supplied seals into the connections and screw them down.

Take care that the hoses are not stretched or twisted during installation.

Pass the hoses through the holes on the left-hand plate 5)(B), removing the thin diaphragm that closes the two holes or as per the following instructions: unscrew the screws 1), now divide the insert piece into its two parts 2) and 3) and remove the thin diaphragm blocking the two passages 4).

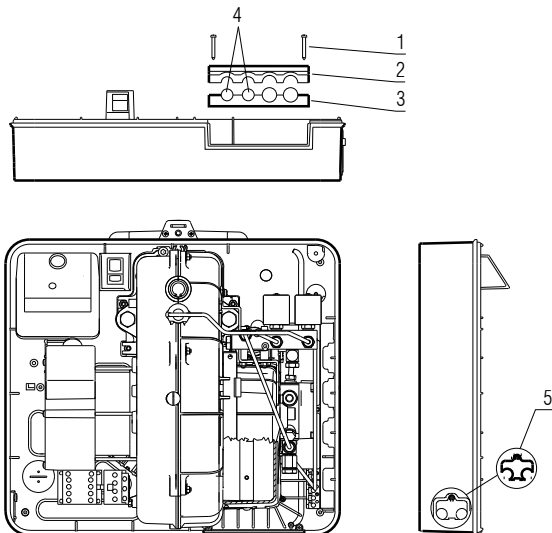
Install the hoses where they cannot be stepped on or come into contact with hot surfaces of the boiler.

Now connect the other end of the hoses to the supplied nipples, using two wrenches, one to hold the nipple steady while using the other one to turn the rotary union on the hose.



+ H - H (m)	L (m)					
	RL 34 MZ Ø (mm)			RL 44 MZ Ø (mm)		
	8	10	12	8	10	12
+ 4.0	52	134	160	35	90	152
+ 3.0	46	119	160	30	80	152
+ 2.0	39	104	160	26	69	152
+ 1.0	33	89	160	21	59	130
+ 0.5	30	80	160	19	53	119
0	27	73	160	17	48	108
- 0.5	24	66	144	15	43	97
- 1.0	21	58	128	13	37	86
- 2.0	15	43	96	9	27	64
- 3.0	8	28	65	4	16	42
- 4.0	-	12	33	-	6	20

(A)

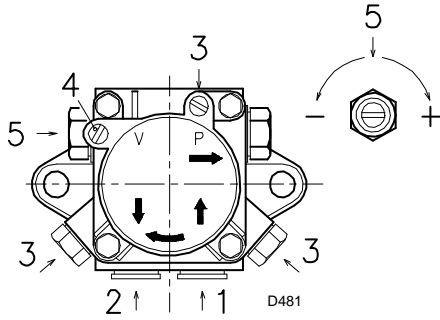


(B)

D3871

RL 34 MZ
SUNTEC AN 57 C

RL 44 MZ
SUNTEC AN 67 C



PUMP		AN 57 C	AN 67 C
A	kg/h	45	67
B	bar	7 - 14	10 - 20
C	bar	0.45	0.45
D	cSt	2 - 75	2 - 75
E	°C	60	60
F	bar	2	2
G	bar	12	12
H	mm	0.150	0.150

(A)

PUMP (A)

- 1 - Suction line G 1/4"
- 2 - Return line G 1/4"
- 3 - Gauge connection G 1/8"
- 4 - Vacuum connection G 1/8"
- 5 - Pressure adjustment screw

- A - Min. delivery rate at 12 bar pressure
- B - Delivery pressure range
- C - Max. suction depression
- D - Viscosity range
- E - Light oil max. temperature
- F - Max. suction and return pressure
- G - Pressure calibration in the factory
- H - Filter mesh width

PUMP PRIMING

- Before starting the burner, make sure that the tank return line is not clogged. Obstructions in the line could cause the sealing organ located on the pump shaft to break. (The pump leaves the factory with the by-pass closed).

- In order for self-priming to take place, one of the screws 3)(A) of the pump must be loosened in order to bleed off the air contained in the suction line.

- Start the burner by closing the control devices and with switch 1)(B)p.10 in the "ON" position. The pump must rotate in the direction of the arrow marked on the cover.

- The pump can be considered to be primed when the light oil starts coming out of the screw 3). Stop the burner: switch 1)(B)p.10 set to "OFF" and tighten the screw 3).

The time required for this operation depends upon the diameter and length of the suction tubing. If the pump fails to prime at the first starting of the burner and the burner locks out, wait approx. 15 seconds, reset the burner, and then repeat the starting operation as often as required. And so on. After 5 or 6 starting operations allow 2 or 3 minutes for the transformer to cool.

Do not illuminate the photocell or the burner will lock out; the burner should lock out anyway about 10 seconds after it starts.

Attention: the a.m. operation is possible because the pump is already full of fuel when it leaves the factory. If the pump has been drained, fill it with fuel through the opening on the vacuum meter prior to starting; otherwise, the pump will seize.

Whenever the length of the suction piping exceeds 20-30 meters, the supply line must be filled using a separate pump.

BURNER CALIBRATION

⚠ ATTENTION

QUALIFIED PERSONNEL WITH THE RIGHT INSTRUMENTS MUST HANDLE THE BURNER'S START-UP.

FIRING

Set switch 1)(B) to "ON".
During the first firing, during the passage from the 1st to the 2nd stage, there is a momentary lowering of the fuel pressure caused by the filling of the 2nd stage nozzle tubing. This lowering of the fuel pressure can cause the burner to lockout and can sometimes give rise to pulsations.

Once the following adjustments have been made, the firing of the burner must generate a noise similar to the noise generated during operation. If one or more pulsations or a delay in firing in respect to the opening of the light oil solenoid valve occur, see the suggestions provided on p. 14: causes 34 to 42.

OPERATION

The optimum calibration of the burner requires an analysis of the flue gases at the boiler outlet and interventions on the following points:

• **1st and 2nd nozzles**

See the information listed on page 6.

• **Combustion head**

The adjustment of the combustion head already carried out need not be altered unless the 2nd stage delivery of the burner is changed.

• **Pump pressure**

12 bar: This is the pressure calibrated in the factory which is usually sufficient for most purposes. Sometimes, this pressure must be adjusted to:

10 bar in order to reduce fuel delivery. This is only possible if the room temperature is above 0 °C. Never fall below 10 bar: at which pressures the cylinders may have difficulty in opening;

14 bar in order to increase fuel delivery or to ensure firings even at temperatures of less than 0°C.

In order to adjust pump pressure, use the screw 5)(A), p. 9.

• **1st stage fan air gate valve**

Keep the burner operating at 1st stage by setting the switch 2)(B) to the 1st stage position. Opening of the air gate valve 1)(A) must be adjusted in proportion to the selected nozzle: the index 7)(A) must be aligned with the specified in table (C). This adjustment is achieved by turning the hex element 4):

- in rh direction (- sign) the opening is reduced;
- in lh direction (+ sign) the opening increases.

Example:

RL 44 MZ - 1st stage nozzle 3.00 GPH: notch 22° aligned with index 7)(A).

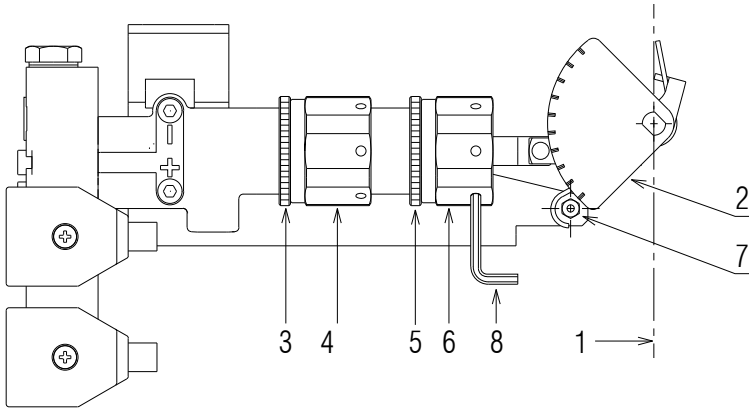
When the adjustment is terminated lock the hex element 4) with the ring nut 3).

• **2nd stage fan air damper valve**

Set switch 2)(B) to the 2nd stage position and adjust the air gate valve 1)(A) by turning the hex element 6)(A), after having loosened the ring nut 5)(A).

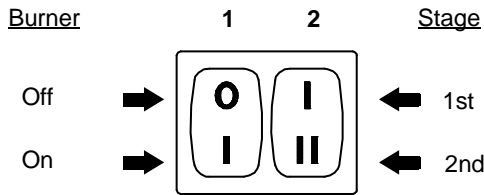
Air pressure at attachment 1)(D) must be approximately the same as the pressure specified in table (D) plus the combustion chamber pressure measured at attachment 2). Refer to the example in the adjacent figure.

NOTE: in order to facilitate adjustment of hex elements 4) and 6)(A), use a 3 mmc Allen key 8)(A).



(A)

D3872



(B)

D469

50 Hz Versions

60 Hz Versions

RL 34 MZ		RL 44 MZ	
GPH	α	GPH	α
2,25	20	3,00	22
2,50	23	3,50	26
3,00	27	4,00	28
3,25	30	4,50	30
3,50	33	5,00	32
4,00	37		
4,50	40		

RL 34 MZ		RL 44 MZ	
GPH	α	GPH	α
2,25	20	3,00	20
2,50	22	3,50	24
3,00	25	4,00	26
3,25	28	4,50	28
3,50	30	5,00	30
4,00	32		
4,50	35		

1st STAGE

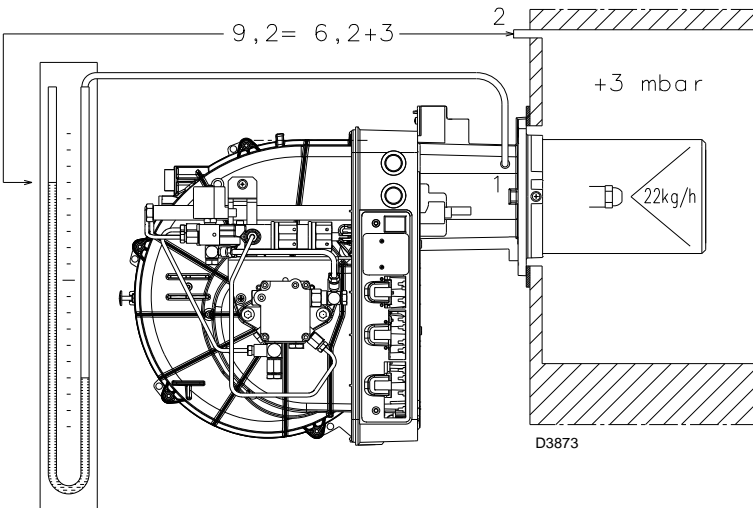
α = Notch Nr.

(C)

RL 34 MZ		RL 44 MZ	
kg/h	mbar	kg/h	mbar
13	5.4	20	4.2
14	5.6	22	4.7
16	5.7	24	4.9
18	5.9	26	5.1
20	6.0	29	5.4
22	6.2	32	5.6
24	6.4	35	6.3
26	6.6	38	7.4
28	6.7	40	8.6
30	6.9	41	9.0
32	7.0		
34	7.1		

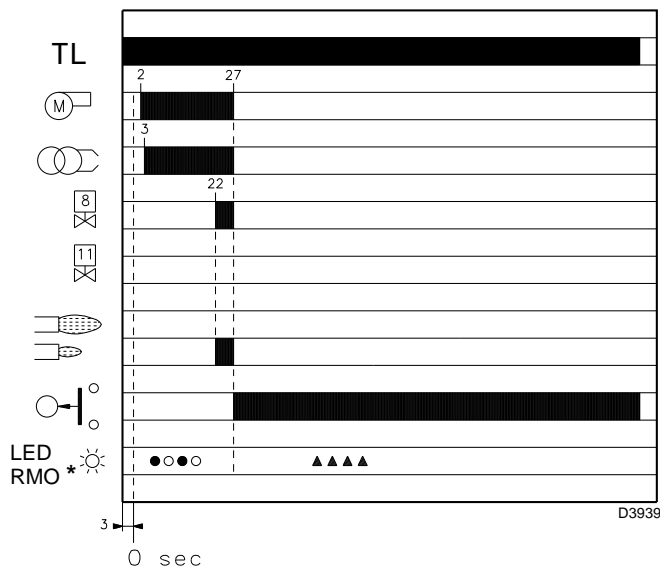
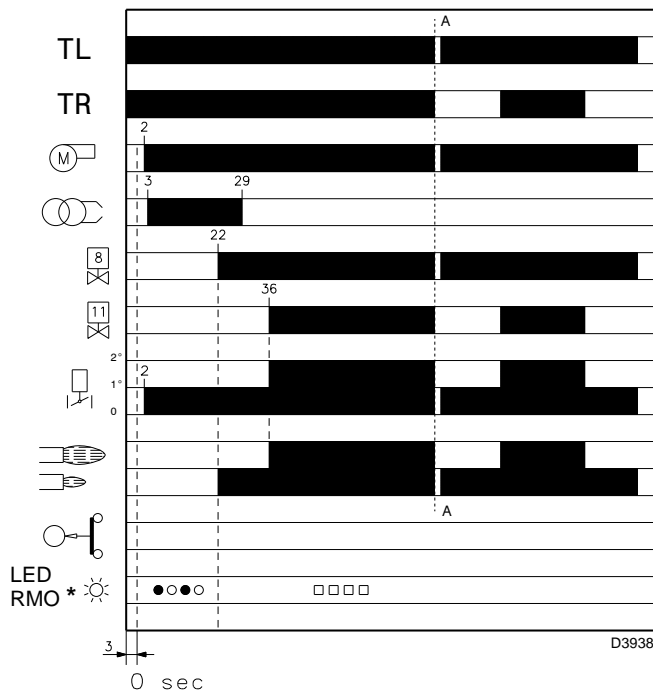
2nd STAGE

mbar = Air pressure in 1) with zeropressure in 2)



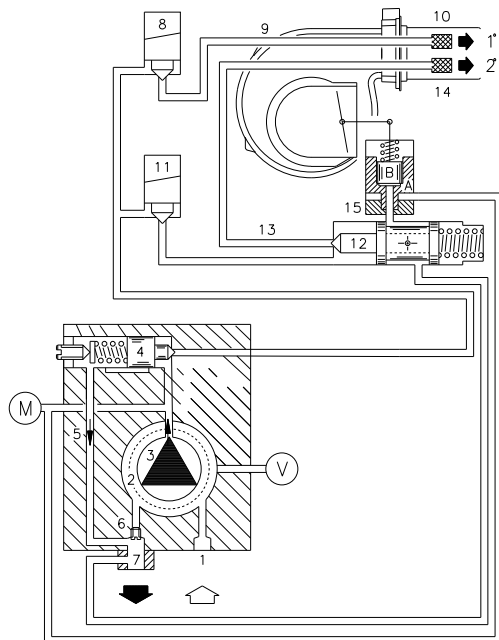
(D)

D3873



* ○ Off ● Yellow □ Green ▲ Red
For further details see page 14.

(A)



(B)

D3912

BURNER OPERATION

BURNER STARTING (A) - (B)

Starting phases with progressive time intervals shown in seconds:

- Control device TL closes.
After about 3s:
- 0 s : The control box starting cycle begins.
- 2 s : The fan motor starts.
- 3 s : The ignition transformer is connected.

The pump 3) sucks the fuel from the tank through the piping 1) and the filter 2) and pumps it under pressure to delivery. The piston 4) rises and the fuel returns to the tank through the piping 5) - 7). The screw 6) closes the by-pass heading towards suction and the solenoid valves 8) - 11), de-energized, close the passage to the nozzles.

The hydraulic cylinder 15), piston A, opens the air gate valve: pre-purging begins with the 1st stage air delivery.

- 22 s : The solenoid valves open 8); and the fuel passes through the piping 9) and filter 10) and is then sprayed out through the nozzle, igniting when it comes into contact with the spark. This is the 1st stage flame.
- 29 s : The ignition transformer switches off.
- 36 s : If the control device TR is closed or has been replaced by a jumper wire, the 2nd stage solenoid valve 11) is opened and the fuel enters the valve 12) and raises the piston which opens two passages: one to piping 13), filter 14), and the 2nd stage nozzle, and the other to the cylinder 15), piston B, that opens the fan air gate valve in the 2nd stage.
The starting cycle comes to an end.

STEADY STATE OPERATION

System equipped with one control device TR

Once the starting cycle has come to an end, the command of the 2nd stage solenoid valve passes on to the control device TR that controls boiler temperature or pressure.

- When the temperature or the pressure increases until the control device TR opens, solenoid valve 11) closes, and the burner passes from the 2nd to the 1st stage of operation.
- When the temperature or pressure decreases until the control device TR closes, solenoid valve 11) opens, and the burner passes from the 1st to the 2nd stage of operation, and so on.
- The burner stops when the demand for heat is less than the amount of heat delivered by the burner in the 1st stage. In this case, the remote control device TL opens, solenoid valve 8) closes, the flame immediately goes out. The fan's air damper valve closes completely.

System not equipped with control device TR (jumper wire installed)

The burner is fired as described in the case above. If the temperature or pressure increase until control device TL opens, the burner shuts down (Section A-A in the diagram).

When the solenoid valve 11) de-energizes, the piston 12) closes the passage to the 2nd stage nozzle and the fuel contained in the cylinder 15), piston B, is discharged into the return piping 7).

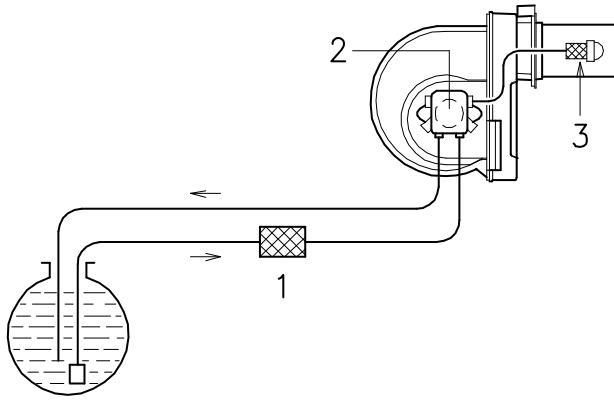
FIRING FAILURE

If the burner does not fire, it goes into lockout within 5 s of the opening of the 1st nozzle valve and 30 s after the closing of control device TL. The control box red pilot light will light up.

UNDESIRE SHUTDOWN DURING OPERATION

If the flame goes out during operation, the burner shuts down automatically within 1 second and automatically attempts to start again by repeating the starting cycle.

(A)

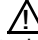



D482


FINAL CHECKS

- Obscure the photocell and switch on the control devices: the burner should start and then lockout about 5 s after opening of the 1st nozzle operation valve.
- Illuminate the photocell and switch on the control devices: the burner should start and then go into lockout after about 10 s.
- Obscure the photocell while the burner is in 2nd stage operation, the following must occur in sequence: flame extinguished within 1 s, pre-purging for about 20 s, sparking for about 5 s, burner goes into lockout.
- Switch off control device TL followed by control device TS while the burner is operating: the burner should stop.

MAINTENANCE

 The burner requires periodic maintenance carried out by a qualified and authorised technician **in conformity with legislation and local standards**.

 Periodic maintenance is essential for the reliability of the burner, avoiding the excessive consumption of fuel and consequent pollution.

 Before carrying out any cleaning or control always first switch off the electrical supply to the burner acting on the main switch of the system.

Combustion

The optimum calibration of the burner requires an analysis of the flue gases. Significant differences with respect to the previous measurements indicate the points where more care should be exercised during maintenance.

Pump

The delivery pressure must be stable at 12 bar. The depression must be less than 0.45 bar. Unusual noise must not be evident during pump operation.

If the pressure is found to be unstable or if the pump runs noisily, the flexible hose must be detached from the line filter and the fuel must be sucked from a tank located near the burner. This measure permits the cause of the anomaly to be traced to either the suction piping or the pump.

If the pump is found to be responsible, check to make sure that the filter is not dirty. The vacuumeter is installed upstream from the filter and consequently will not indicate whether the filter is clogged or not. Contrarily, if the problem lies in the suction line, check to make sure that the filter is clean and that air is not entering the piping.

Filters (A)

Check the following filter boxes:

- on line 1) • in the pump 2) • at the nozzle 3), and clean or replace as required.

If rust or other impurities are observed inside the pump, use a separate pump to lift any water and other impurities that may have deposited on the bottom of the tank.

Fan

Check to make sure that no dust has accumulated inside the fan or on its blades, as this condition will cause a reduction in the air flow rate and provoke polluting combustion.

Combustion head

Check to make sure that all the parts of the combustion head are in good condition, positioned correctly, free of all impurities, and that no deformation has been caused by operation at high temperatures.

Nozzles

Do not clean the nozzle openings.

It is advisable to replace nozzles every year during regular maintenance operations.

The change of nozzle requires the combustion to be controlled.

Photocell

Clean the glass cover from any dust that may have accumulated. To extract the photocell 4) (A)p.3 pull it outward forcefully. It is only pressed in

Flexible hoses

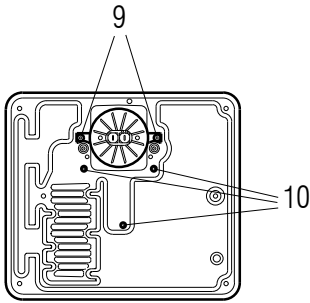
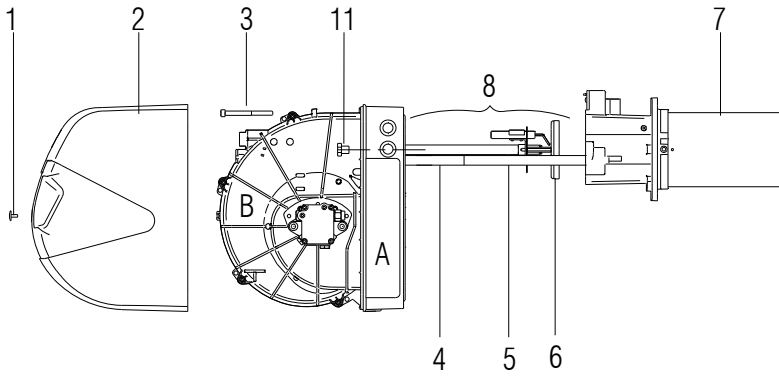
Check to make sure that the flexible hoses are still in good condition and that they are not crushed or otherwise deformed.

Fuel tank

Approximately every 5 years, or whenever necessary, suck any water or other impurities present on the bottom of the tank using a separate pump.

Boiler

Clean the boiler as indicated in its accompanying instructions in order to maintain all the original combustion characteristics intact, especially the flue gas temperature and combustion chamber pressure.



(A)

D3962

TO OPEN THE BURNER (A)

- Switch off the voltage
- Remove screw 1 and withdraw the casing 2)
- Unscrew screw 3)
- Fit the two extensions 4), on the burner, on the guides 5) (model with nozzle 351 mm)
- Pull part A backward keeping it slightly raised to avoid damaging the disk 6) on blast tube 7).

MAINTENANCE OF THE ELECTRICAL PANEL (B)

If it is necessary to maintain the electrical panel A)(Fig. A) it is possible just to remove the fan assembly B)(Fig. A) to get better access to the electrical components.

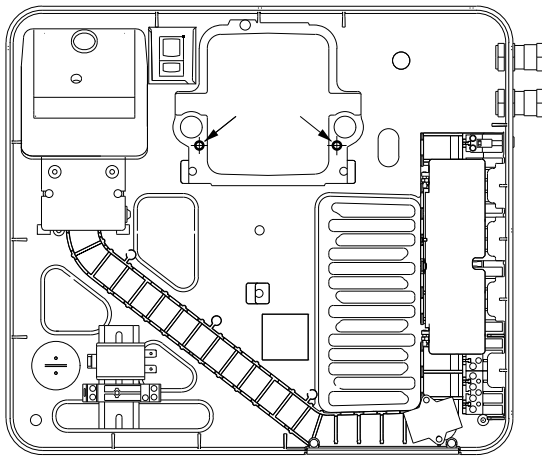
With the burner open as in fig. (A), disconnect the electrode cables and remove the head unit 8)(A) by undoing the two screws 9)(A).

Disconnect the cables relative to the fan motor, remove the 3 screws 10)(A) on the protective sheet and the two screws 11)(A) and slide out the fan assembly B)(Fig. A) from the guides 4) - 5)(A).

Finally it is possible to use 2 of the 3 screws 10)(A) to fix the electrical panel to the pipe coupling in the points indicated on fig. (B), and then perform the maintenance operations.

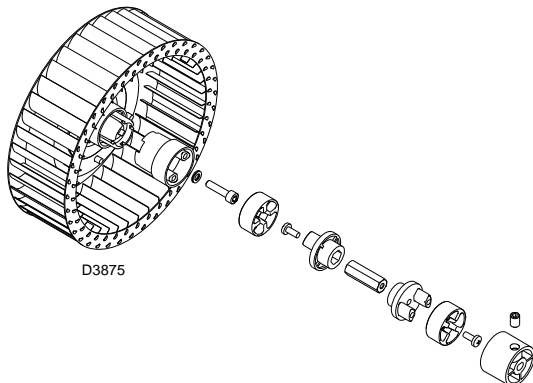
POSSIBLE PUMP AND/OR COUPLING REPLACEMENT (C)

Carry out the fitting following the instructions in the figure (C).



(B)

D3877



(C)

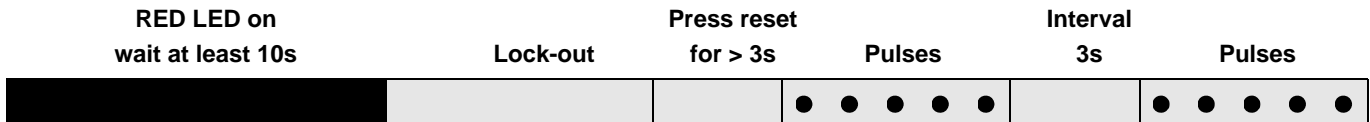
BURNER START-UP CYCLE DIAGNOSTICS

During start-up, indication is according to the following table:

COLOUR CODE TABLE	
Sequences	Colour code
Pre-purging	● ○ ● ○ ● ○ ● ○ ●
Ignition phase	● ○ ● ○ ● ○ ● ○ ●
Operation, flame ok	□ □ □ □ □ □ □ □ □
Operating with weak flame signal	□ ○ □ ○ □ ○ □ ○ □
Electrical supply lower than ~ 170V	● ▲ ● ▲ ● ▲ ● ▲ ●
Lock-out	▲ ▲ ▲ ▲ ▲ ▲ ▲ ▲ ▲
Extraneous light	▲ □ ▲ □ ▲ □ ▲ □ ▲
Key:	○ Off ● Yellow □ Green ▲ Red

RESETTING THE CONTROL BOX AND USING DIAGNOSTICS

The control box features a diagnostics function through which any causes of malfunctioning are easily identified (indicator: **RED LED**). To use this function, you must wait at least 10 seconds once it has entered the safety condition (**lockout**), and then press the reset button. The control box generates a sequence of pulses (1 second apart), which is repeated at constant 3-second intervals. Once you have seen how many times the light pulses and identified the possible cause, the system must be reset by holding the button down for between 1 and 3 seconds.



The methods that can be used to reset the control box and use diagnostics are given below.

RESETTING THE CONTROL BOX

To reset the control box, proceed as follows:
 - Hold the button down for between 1 and 3 seconds.
 The burner restarts after a 2-second pause once the button is released.
 If the burner does not restart, you must make sure the limit thermostat is closed.

VISUAL DIAGNOSTICS

Indicates the type of burner malfunction causing lockout. To view diagnostics, proceed as follows:
 - Hold the button down for more than 3 seconds once the red LED (burner lockout) remains steadily lit.
 A yellow light pulses to tell you the operation is done.
 Release the button once the light pulses. The number of times it pulses tells you the cause of the malfunction, according to the coding system indicated in the table on page 15.

SOFTWARE DIAGNOSTICS

Reports burner life by means of an optical link with the PC, indicating hours of operation, number and type of lock-outs, serial number of control box etc ... To view diagnostics, proceed as follows:
 - Hold the button down for more than 3 seconds once the red LED (burner lockout) remains steadily lit.
 A yellow light pulses to tell you the operation is done.
 Release the button for 1 second and then press again for over 3 seconds until the yellow light pulses again.
 Once the button is released, the red LED will flash intermittently with a higher frequency: only now can the optical link be activated.

Once the operations are done, the control box's initial state must be restored using the resetting procedure described above.

BUTTON PRESSED FOR	CONTROL BOX STATUS
Between 1 and 3 seconds	Control box reset without viewing visual diagnostics.
More than 3 seconds	Visual diagnostics of lockout condition: (Led pulses at 1-second intervals).
More than 3 seconds starting from the visual diagnostics condition	Software diagnostics by means of optical interface and PC (hours of operation, malfunctions etc. can be viewed)

The sequence of pulses issued by the control box identifies the possible types of malfunction, which are listed in the table on page 15.

SIGNAL	FAULT	POSSIBLE CAUSE	SOLUTION
No blink	The burner does not start	1 - No electrical power supply 2 - A limit or safety control device is open 3 - Control box lock-out 4 - Pump is jammed 5 - Erroneous electrical connections 6 - Defective control box 7 - Defective electrical motor 8 - Defective motor capacitor (RL 34 MZ - RL 44 MZ single-phase)	Close all switches - Check fuses Adjust or replace Reset control box (no sooner than 10 s after the lockout) Replace Check connections Replace Replace Replace it
4 pulses ● ● ● ●	The burner starts and then goes into lockout	9 - Photocell short-circuit 10 - Light is entering or flame is simulated	Replace photocell Eliminate light or replace control box
2 pulses ● ●	After pre-purge and the safety time, the burner goes to lockout at the end of the safety time	11 - No fuel in tank; water on tank bottom 12 - Inappropriate head and air damper adjustments 13 - Light oil solenoid valves fail to open (1st stage or safety) 14 - 1st nozzle clogged, dirty, or deformed 15 - Dirty or poorly adjusted firing electrodes 16 - Grounded electrode due to broken insulation 17 - High voltage cable defective or grounded 18 - High voltage cable deformed by high temperature 19 - Ignition transformer defective 20 - Erroneous valves or transformer electrical connections 21 - Defective control box 22 - Pump unprimed 23 - Pump/motor coupling broken 24 - Pump suction line connected to return line 25 - Valves up-line from pump closed 26 - Filters dirty: line - pump - nozzle 27 - Defective photocell or control box 28 - Photocell dirty 29 - 1st stage operation of cylinder is faulty 30 - Motor lockout (RL 44 MZ three-phase - RL) 31 - Defective motor command remote control device (RL 44 MZ three-phase - RL) 32 - Electrical power supply two-phase (RL 44 MZ three-phase). thermal cut-out trips when third phases are re-connected 33 - Incorrect motor rotation direction	Top up fuel level or suck up water Adjust, see page 7 and 10 Check connections; replace coil Replace Adjust or clean Replace Replace Replace and protect Replace Check Replace Prime pump and see "Pump unprimes" Replace Correct connection Open Clean Replace photocell or control box Clean Change the cylinder Reset thermal relay Substitute it Reset thermal relay Change motor electrical connections
7 pulses ● ● ● ● ● ● ●	Flame detachment	34 - Poorly adjusted head 35 - Poorly adjusted or dirty firing electrodes 36 - Poorly adjusted fan air gate: too much air 37 - 1st nozzle is too big (pulsation) 38 - 1st nozzle is too small (flame detachment) 39 - 1st nozzle dirty, or deformed 40 - Pump pressure not suitable 41 - 1st stage nozzle unsuited to burner or boiler 42 - Defective 1st stage nozzle	Adjust, see page 7, fig. (F) Adjust, see page 7, fig. (B) Adjust Reduce 1st nozzle delivery Increase 1st nozzle delivery Replace Adjust it: between 10 - 14 bar See Nozzle Table, page 6; reduce 1st stage nozzle Replace
	The burner does not pass to 2nd stage	43 - Control device TR does not close 44 - Defective control box 45 - 2nd stage sol. valve coil defective 46 - Piston jammed in valve unit	Adjust or replace Replace Replace Replace entire unit
	Fuel passes to 2nd stage but air remains in 1st	47 - Low pump pressure 48 - 2nd stage operation of cylinder is faulty	Increase Change cylinder
	Burner stops at transition between 1st and 2nd stage. Burner repeats starting cycle.	49 - Nozzle dirty 50 - Photocell dirty 51 - Excess air	Renew nozzle Clean Reduce
	Uneven fuel supply	52 - Check if cause is in pump from tank or fuel supply system	Feed burner located near burner
	Internally rusted pump	53 - Water in tank	Suck water from tank bottom with separate pump
	Noisy pump, unstable pressure	54 - Air has entered the suction line - Depression value too high (higher than 35 cm Hg): 55 - Tank/burner height difference too great 56 - Piping diameter too small 57 - Suction filters clogged 58 - Suction valves closed 59 - Paraffin solidified due to low temperature	Tighten connectors Feed burner with loop circuit Increase Clean Open Add additive to light oil
	Pump unprimes after prolonged pause	60 - Return pipe not immersed in fuel 61 - Air enters suction piping	Bring to same height as suction pipe Tighten connectors
	Pump leaks light oil	62 - Leakage from sealing organ	Replace pump
	Smoke in flame - dark Bacharach - yellow Bacharach	63 - Not enough air 64 - Nozzle worn or dirty 65 - Nozzle filter clogged 66 - Erroneous pump pressure 67 - Flame stability disc dirty, loose, or deformed 68 - Boiler room air vents insufficient 69 - Too much air	Adjust head and fan air damper, see page 7 and 10 Replace Clean or replace Adjust to between 10 - 14 bar Clean, tighten in place, or replace Increase Adjust head and fan air damper, see page 7 and 10
	Dirty combustion head	70 - Nozzle or filter dirty 71 - Unsuitable nozzle delivery or angle 72 - Loose nozzle 73 - Impurities on flame stability spiral 74 - Erroneous head adjustment or not enough air 75 - Blast tube length unsuited to boiler	Replace See recommended nozzles, page 6 Tighten Clean Adjust, see page 10; open gate valve Contact boiler manufacturer
10 pulses ● ● ● ● ● ● ● ● ● ●		76 - Connection or internal fault 77 - Presence of electromagnetic disturbance	Use the radio disturbance protection kit)

APPENDIX

Electrical wiring



NOTES

Electrical wiring must be made in accordance with the regulations currently in force in the country of destination and by qualified personnel.

Riello S.p.A. declines all liability for modifications or connections other than those shown on these diagrams.

Use flexible cables according to standard EN 60 335-1.

All the cables to be connected to the burner are fed through the grommets.

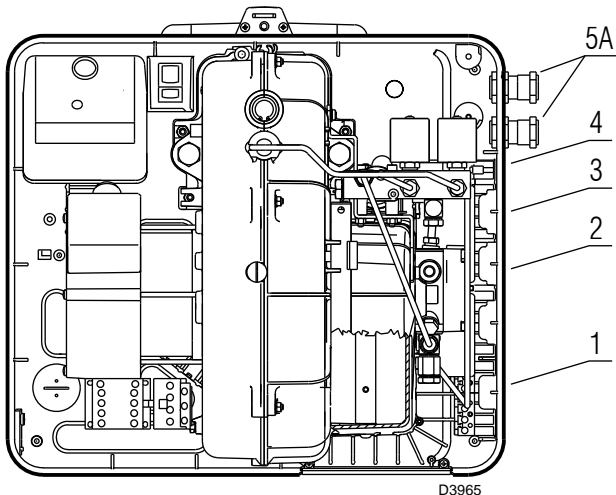
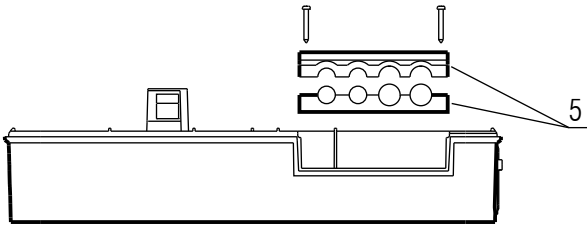
The use of the grommets can take various forms; by way of example we indicate the following mode:

RL 34-44 MZ single phase

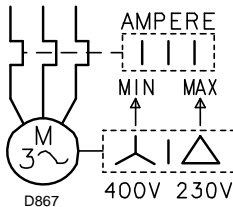
- 1- 7 pole socket for single phase power supply, thermostat/pressure switch TL
- 2- 4 pole socket, thermostat/pressure switch TR
- 3- 5 pole socket
- 4- 2 pole socket for remote control box reset accessory
- 5 - 5A Housing for the nozzles
(Drill if 5A nozzles are required)

RL 44 MZ three-phase

- 1- 7 pole socket for single-phase power supply, thermostat/pressure switch TL
- 2- 4 pole socket, thermostat/pressure switch TR
- 3- 5 pole socket for three phase supply
- 4- 2 pole socket for remote control box reset accessory
- 5 - 5A Housing for the nozzles
(Drill if 5A nozzles are required)



D3965



D867

THERMAL RELAY CALIBRATION (RL 44 MZ three phase)

This is required to avoid motor burn-out in the event of a significant increase in intake power caused by a missing phase.

- If the motor is star-powered, **400 V**, the cursor should be positioned at "MIN".
- If the motor is delta-powered, **230 V**, the cursor should be positioned at "MAX".

Even if the scale of the thermal relay does not include rated motor input power at 400 V, protection is still ensured in any case.

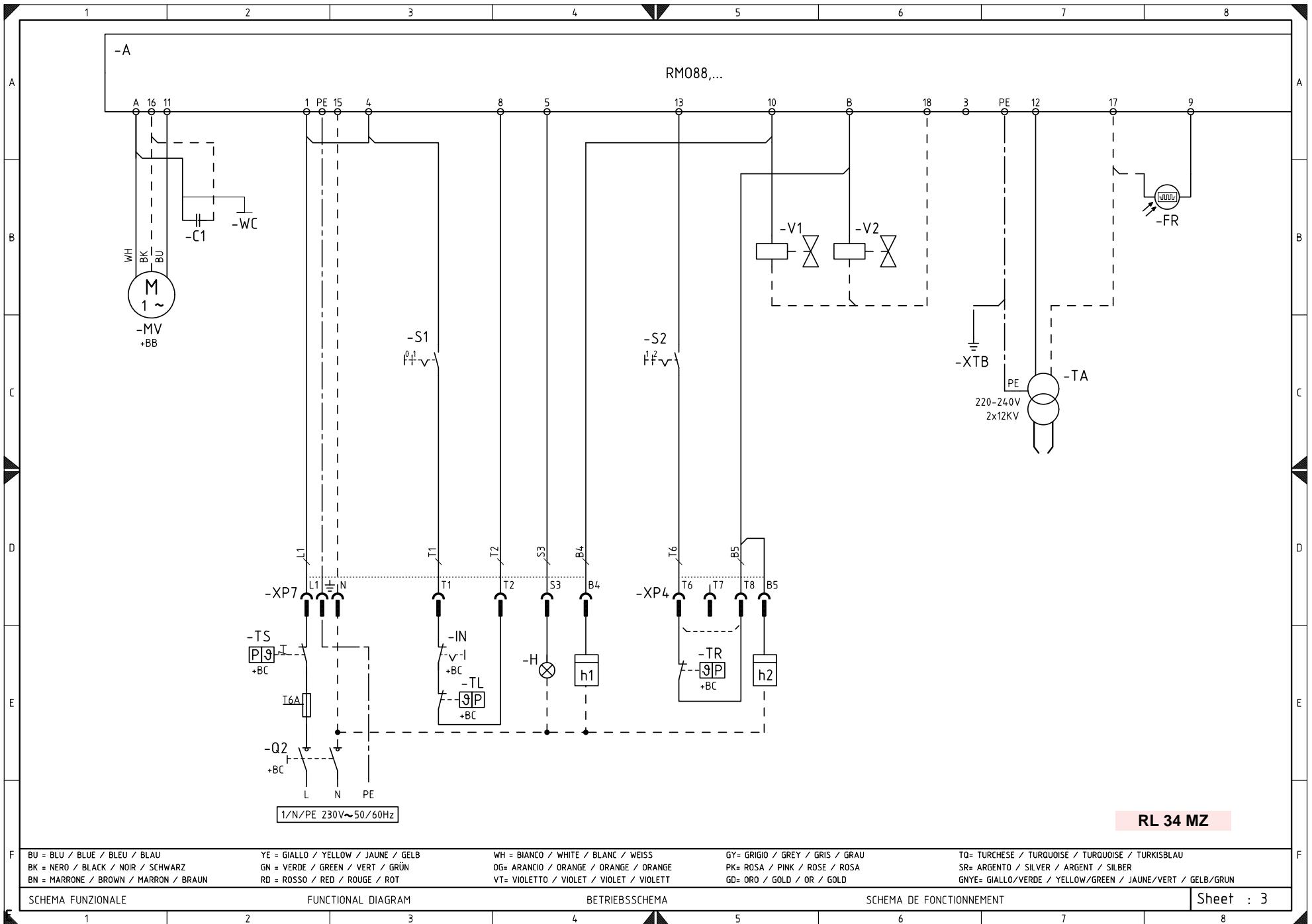
NOTES

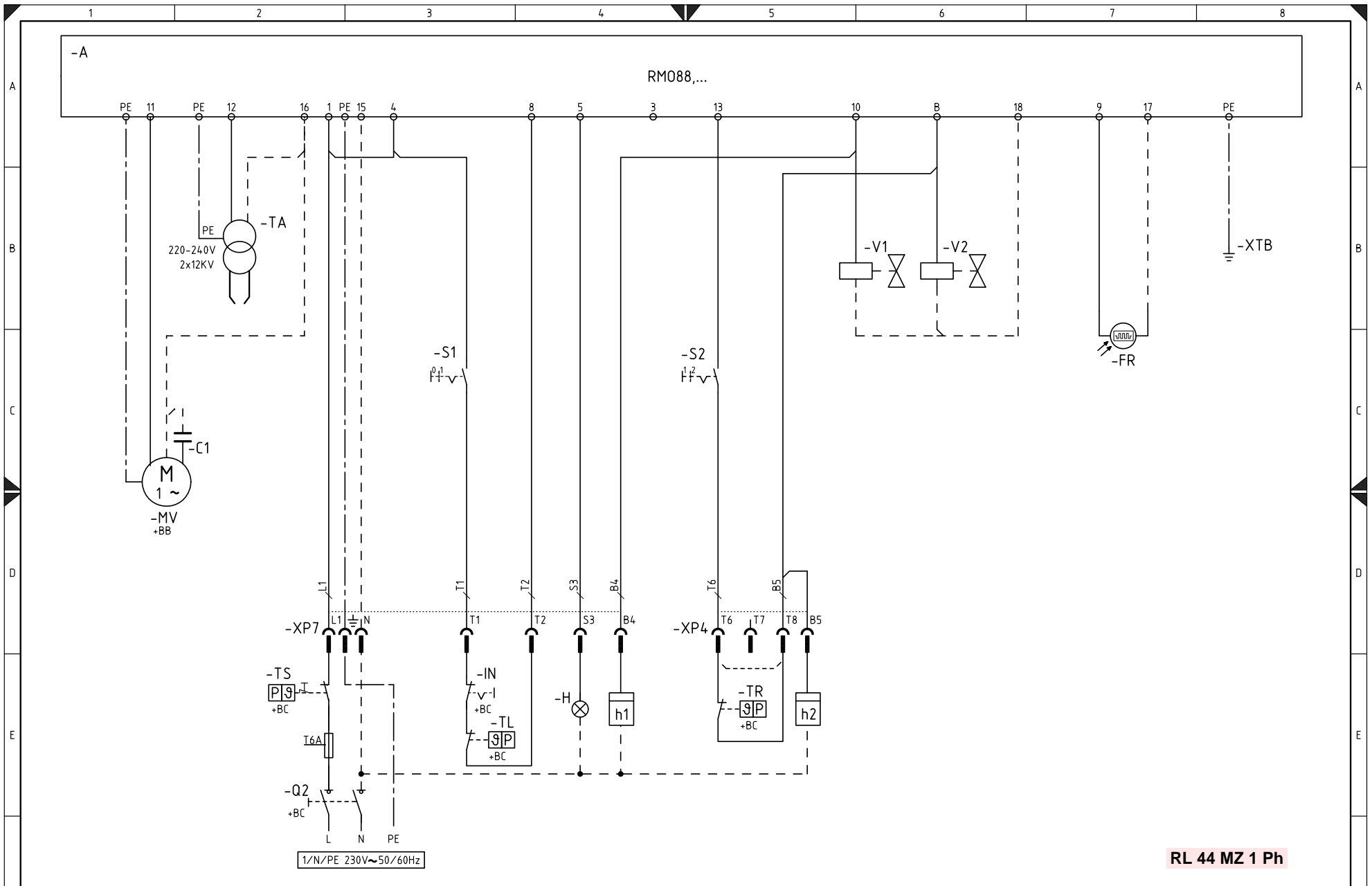
- The RL 44 MZ three-phase model leaves the factory with provision for a **400V** power supply. If **230 V** power supply is used, change the motor connection from star to delta and change the setting of the thermal relay as well.
- The RL 34 -44 MZ -burners have been type-approved for intermittent operation. This means they should compulsorily be stopped at least once every 24 hours to enable the control box to perform checks of its own efficiency at start-up. Normally the boiler's limit thermostat pressure switch TL ensures the stopping of the burner. If this is not the case, it is necessary to apply in series with IN a timer switch that turns off the burner at least once every twenty-four hours.
- The burners RL 34-44 MZ leave the factory ready for two-stage functioning and must therefore be connected to the thermostat/pressure switch TR. Alternatively, if single stage operation is required, instead of thermostat/pressure switch TR install a jumper lead between terminals T6 and T8 of plug X4.



ATTENTION:

- Do not invert the neutral with the phase wire in the electricity supply line. Any inversion would cause a lockout due to firing failure.
- Only use original spare parts to replace the components.

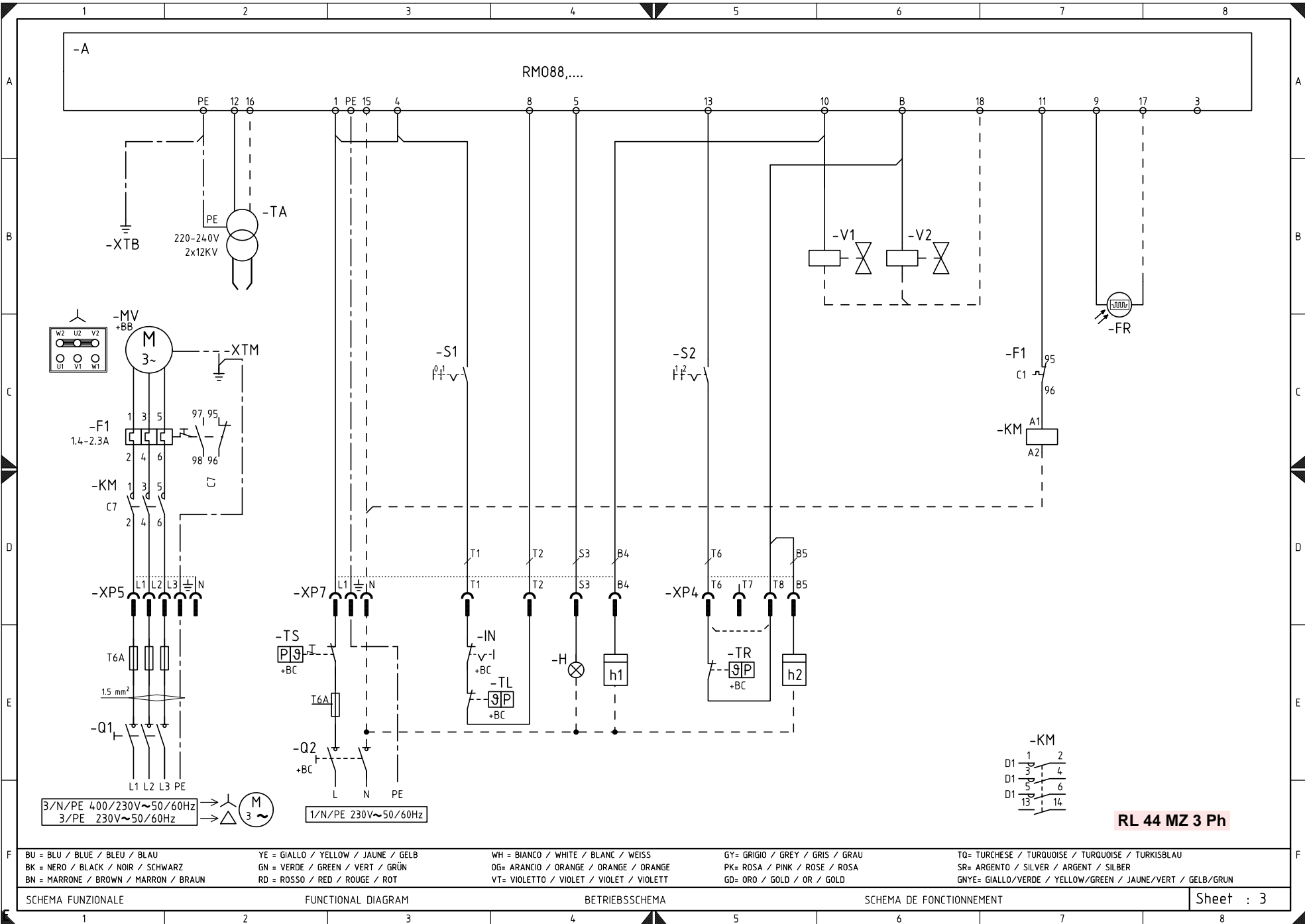




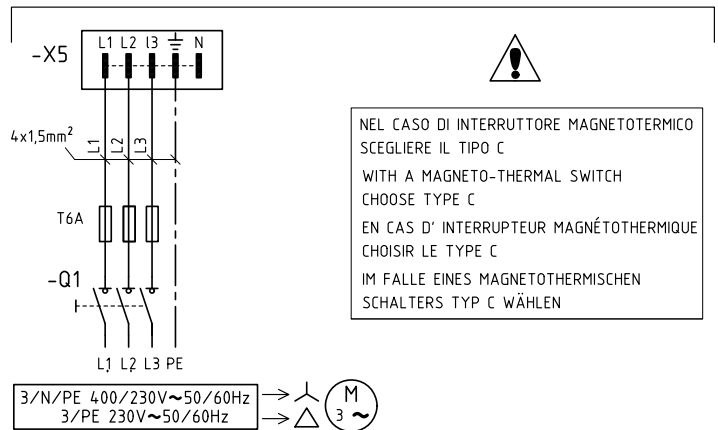
1/N/PE 230V~50/60Hz

RL 44 MZ 1 Ph

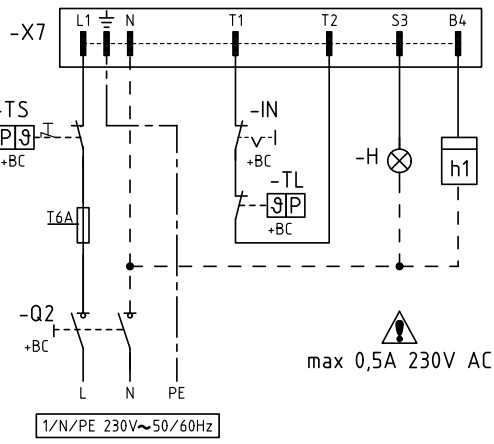
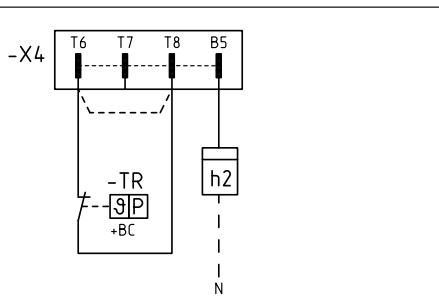
BU = BLU / BLUE / BLEU / BLAU	YE = GIALLO / YELLOW / JAUNE / GELB	WH = BIANCO / WHITE / BLANC / WEISS	GY = GRIGIO / GREY / GRIS / GRAU	TQ= TURCHESE / TURQUOISE / TURQUOISE / TURKISBLAU
BK = NERO / BLACK / NOIR / SCHWARZ	GN = VERDE / GREEN / VERT / GRÜN	OG= ARANCIO / ORANGE / ORANGE / ORANGE	PK= ROSA / PINK / ROSE / ROSA	SR= ARGENTO / SILVER / ARGENT / SILBER
BN = MARRONE / BROWN / MARRON / BRAUN	RD = ROSSO / RED / ROUGE / ROT	VT= VIOLETTO / VIOLET / VIOLET / VIOLETT	GD= ORO / GOLD / OR / GOLD	GNYE= GIALLO/VERDE / YELLOW/GREEN / JAUNE/VERT / GELB/GRÜN



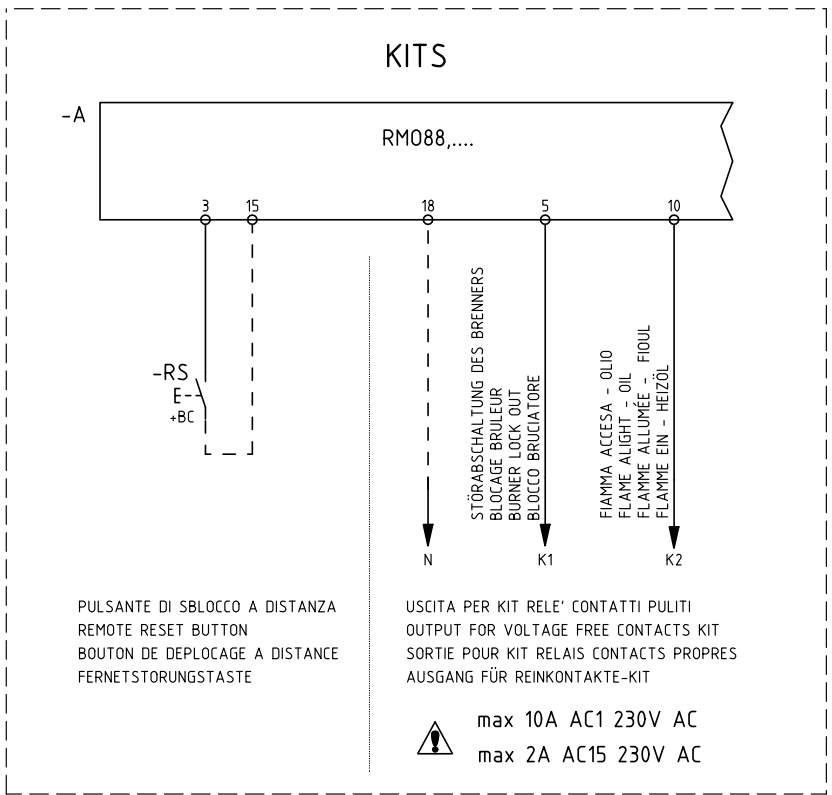
SOLO PER LA VERSIONE TRIFASE / ONLY THREE PHASE VERSION



SOLO LA VERSIONE BISTADIO / ONLY TWO STAGE VERSION



KITS



22

BU = BLU / BLUE / BLEU / BLAU	YE = GIALLO / YELLOW / JAUNE / GELB	WH = BIANCO / WHITE / BLANC / WEISS	GY= GRIGIO / GREY / GRIS / GRAU	TQ= TURCHESE / TURQUOISE / TURKOISE / TURKISBLAU
BK = NERO / BLACK / NOIR / SCHWARZ	GN = VERDE / GREEN / VERT / GRÜN	OG= ARANCIO / ORANGE / ORANGE / ORANGE	PK= ROSA / PINK / ROSE / ROSA	SR= ARGENTO / SILVER / ARGENT / SILBER
BN = MARRONE / BROWN / MARRON / BRAUN	RD = ROSSO / RED / ROUGE / ROT	VT= VIOLETTO / VIOLET / VIOLET / VIOLETT	GD= ORO / GOLD / OR / GOLD	GNYE= GIALLO/VERDE / YELLOW/GREEN / JAUNE/VERT / GELB/GRÜN

WIRING DIAGRAM KEY

A	- Electrical control box
BB	- Components on burners
BC	- Components on boiler
C1	- Capacitor
F1	- Fan motor thermal relay
FR	- Photocell
H	- Remote lockout signalling
IN	- Manual burner arrest switch
h1	- Hour counter
h2	- Hour counter
KM	- Motor contact maker
MV	- Fan motor
Q1	- Three-phase knife switch
Q2	- Single phase knife switch
RS	- Remote burner reset button (accessory)
S1	- Switch: burner on-off
S2	- Switch: 1st - 2nd stage
TA	- Ignition transformer
TL	- Extreme thermostat/pressure switch
TR	- Adjustment thermostat/pressure switch
TS	- Safety thermostat/pressure switch
XP4	- 4 pole socket
XP5	- 5 pole socket
XP7	- 7 pole socket
XTB	- Shelf earth
XTM	- Fan unit earth
X4	- 4 pin plug
X5	- 5 pin plug
X7	- 7 pin plug
V1	- Ignition solenoid /1st stage
V2	- 2nd stage solenoid
WC	- Capacitor connection

DECLARACIÓN DE CONFORMIDAD A.R. 8/1/2004 & 17/7/2009 – Bélgica

Productor: RIELLO S.p.A.
I - 37045 Legnago (VR)
Tel. +39.0442.630111
[http:// www.rielloburners.com](http://www.rielloburners.com)

Puesto en circulación por: RIELLO NV
Ninovesteenweg 198
9320 Ereembodegem
Tel. (053) 769 030
Fax. (053)789 440
E-mail. info@riello.be
URL. www.riello.be

Con la presente se certifica que la serie de aparatos especificada a continuación es conforme con el modelo tipo descrito en la declaración de conformidad CE, y está producida y puesta en circulación de acuerdo con los requisitos definidos en el D.L. del 8 de enero 2004 y 17 Julio 2009.

Tipo de producto: Quemador de gasoleo

		Modelo	
		972 T	973 T
		RL 34 MZ	RL 44 MZ
VALORES MÁX	NOx (mg/kWh)	95	110
	CO (mg/kWh)	8	6

Norma aplicada: EN 267 y A.R. del 8 de enero de 2004 - 17 Julio 2009.

Legnago, 02.01.2012

Ing. G. Conticini
Dirección División Quemadores
RIELLO S.p.A.



- El quemador **posee la marca CE** y es conforme a los requisitos fundamentales de las siguientes Directivas:
 - Directiva Compatibilidad Electromagnética 2004/108/CE;
 - Directiva Baja Tensión 2006/95/CE;
 - Directiva Máquinas 2006/42/CE;
 - Directiva Rendimientos 92/42/CEE;
- El quemador responde al grado de protección IP 40 según EN 60529.

IDENTIFICACIÓN

La Placa de identificación del producto indica el número de matrícula, el modelo y los datos principales técnicos y prestacionales. La alteración, eliminación o la falta de la placa de identificación no permite su correcta identificación y dificulta los trabajos de instalación y mantenimiento.

ADVERTENCIAS GENERALES

Para garantizar una combustión con la mínima cantidad de emisiones contaminantes, las medidas y el tipo de cámara de combustión del generador de calor deben corresponder a valores bien definidos. Por consiguiente se aconseja consultar al Servicio Técnico de Asistencia antes de escoger este tipo de quemador para montarlo en una caldera.

El personal cualificado es el que cumple los requisitos técnico-profesionales indicados en la ley 5 marzo 1990 n° 46. La organización comercial dispone de una amplia red de agencias y servicios técnicos cuyo personal participa periódicamente en cursos de instrucción y actualización en el Centro de Formación de la empresa.

Este quemador está destinado para el uso para el que ha sido expresamente fabricado.

Queda excluida cualquier responsabilidad contractual y extracontractual del constructor por daños causados a personas, animales o cosas, por errores en la instalación y calibración del quemador, por un uso impropio del mismo, erróneo o irrazonable, por el no respeto del manual de instrucciones que se proporciona junto con el quemador y por la intervención de personal no capacitado.


INFORMACIONES PARA EL USUARIO


Si se verificaran irregularidades de encendido o de funcionamiento, el quemador efectuará una “parada de seguridad”, identificada con la señal roja de bloqueo del quemador. Para restablecer las condiciones de arranque, hay que oprimir el botón de desbloqueo. Cuando el quemador arranca, la luz roja se apaga. Dicha operación se puede repetir 3 veces como máximo. Si las “paradas de seguridad” fueran frecuentes, hay que contactar al Servicio Técnico de Asistencia.

REGLAS FUNDAMENTALES DE SEGURIDAD

- Está prohibido que niños o personas inexpertas usen el aparato.
- Está prohibido tapar con trapos, papeles o demás las rejillas de aspiración o de disipación y la ventilación del local donde está instalado el aparato.
- Está prohibido que personal no autorizado trate de reparar el aparato.
- Es peligroso tirar de los cables o retorcerlos.
- Está prohibido limpiar el aparato antes de haberlo desconectado de la alimentación eléctrica.
- No limpiar el quemador ni sus componentes con sustancias inflamables (ej. gasolina, alcohol, etc.). El cuerpo se debe limpiar sólo con agua con jabón.
- No apoyar objetos sobre el quemador.
- No dejar envases ni sustancias inflamables en el local donde está instalado el aparato.

En algunas partes del manual se utilizan los símbolos:

 **ATENCIÓN** = para acciones que requieren un particular cuidado y una adecuada preparación.

 **PROHIBIDO** = para acciones que **NO DEBEN** ser efectuadas.

DATOS TÉCNICOS página 2
Versiones constructivas 2
Accesorios 2
Descripción del quemador 3
Embalaje - Peso 3
Dimensiones 3
Forma de suministro 3
Campos de trabajo 4
Caldera de prueba 4

INSTALACIÓN 5
Posición de funcionamiento 5
Placa de caldera 5
Longitud tubo llama 5
Fijación del quemador a la caldera 5
Selección boquillas 1ª y 2ª llama 6
Montaje de las boquillas 7
Regulación cabezal de combustión 8
Instalación hidráulica 9
Bomba 10
Cebado de la bomba 10
Regulación del quemador 11
Funcionamiento del quemador 12
Control final 13
Mantenimiento 13
Diagnóstico del programa de puesta en marcha 15
Desbloqueo de la caja de control y uso de la función de diagnóstico 15
Anomalía - Causa Probable - Solución 16

APÉNDICE 17
Conexiones eléctricas 17
Esquema cuadro eléctrico 18

Nota

Las figuras que se mencionan en el texto se identifican del modo siguiente:

- 1)(A) = Detalle 1 de la figura A, en la misma página que el texto;
- 1)(A)p.3 = Detalle 1 de la figura A, página N° 3.

NOTA

De conformidad con la Directiva sobre Rendimiento 92/42/CEE, la aplicación del quemador a la caldera, la regulación y la prueba deben realizarse siguiendo las indicaciones contenidas en el Manual de Instrucciones de la caldera, incluyendo el control de la concentración de CO y CO₂ en los gases de combustión, su temperatura y la temperatura media del agua de la caldera.

INFORMACIONES SOBRE EL MANUAL DE INSTRUCCIÓN

INTRODUCCIÓN

El manual de instrucción suministrado juntamente al quemador:

- constituye parte integrante y fundamental del producto y no se debe separar del quemador; por lo tanto debe conservarse con cuidado para toda necesidad de consulta y debe acompañar al quemador incluso en caso de entregarse a otro propietario o usuario, o en caso de transferencia a otra instalación. En caso de daño o extravío debe solicitarse otro ejemplar al Servicio Técnico de Asistencia **RIELLO** de la Zona;
- fue realizado para que solo el personal calificado lo use;
- suministra importantes indicaciones y advertencias sobre la seguridad de la instalación, la puesta en funcionamiento, el uso y el mantenimiento del quemador.

ENTREGA DE LA INSTALACIÓN Y DEL MANUAL DE INSTRUCCIÓN

Cuando se entrega la instalación es necesario que:

- El manual de instrucción sea entregado por el proveedor de la instalación al usuario, con la advertencia de que dicho manual debe ser conservado en el local de la instalación del generador de calor.
- En el manual de instrucción figuran:
 - el número de matrícula del quemador;

.....

- la dirección y el número de teléfono del Centro de Asistencia más cercano;

.....
.....
.....

- El proveedor de la instalación informe con precisión al usuario acerca de:
 - el uso de la instalación,
 - eventuales pruebas adicionales necesarias que se deben realizar antes de la activación de la instalación,
 - el mantenimiento y la necesidad de controlar la instalación como mínimo una vez al año por parte de un encargado de la Empresa Fabricante o de otro técnico especializado.
- Para garantizar un control periódico, **RIELLO** se recomienda estipular un Contrato de Mantenimiento.

DATOS TÉCNICOS

MODELO			RL 34 MZ	RL 44 MZ	RL 44 MZ
TIPO			972 T	973 T	973 T
POTENCIA (1)	llama 2°	kW	154 - 395	235 - 485	235 - 485
CAUDAL (1)		Mcal/h	132 - 340	204 - 418	204 - 418
		kg/h	13 - 33,6	20 - 41	20 - 41
	llama 1°	kW	97 - 154	155 - 235	155 - 235
		Mcal/h	83 - 133	133 - 204	133 - 204
		kg/h	8,3 - 13	13 - 20	13 - 20
COMBUSTIBLE			GASOLEO		
- poder calorífico inferior		kWh/kg Mcal/kg	11,8 10,2 (10.200 kcal/kg)		
- densidad		kg/dm³	0,82 - 0,85		
- viscosidad a 20 °C		mm²/s max	6 (1,5 °E - 6 cSt)		
FUNCIONAMIENTO			<ul style="list-style-type: none"> Intermitente (mín. 1 paro en 24 horas). 2 llamas (2ª y 1ª) ó 1 llama (todo-nada). 		
BOQUILLAS		numero	2		
UTILIZACION			Calderas: de agua, a vapor y aceite térmico		
TEMPERATURA AMBIENTE		°C	0 - 40		
TEMPERATURA AIRE COMBURENTE		°C max	60		
ALIMENTACION ELECTRICA		V Hz	230 ~ +/-10% 50/60 - Monofásica		230 - 400 con Neutro ~ +/-10% 50/60 - Trifásica
MOTOR ELÉCTRICO		rpm W V A	2800 300 220 - 240 2,4	2800 420 220 - 240 3,0	2800 450 220/240 - 380/415 2,0 - 1,2
CONDENSADOR MOTOR		µF/V	12,5/450		
TRANSFORMADOR DE ENCENDIDO		V1 - V2 I1 - I2	230 V - 2 x 12 kV 0,2 A - 30 mA		
BOMBA	Caudal (a 12 bar)	kg/h	45	67	67
	Rango presiones	bar	7 - 14	10 - 20	10 - 20
	Temp. combustible	°C max	60	60	60
POTENCIA ELÉCTRICA ABSORBIDA		W max	600	700	750
NIVEL SONORO (2)	PRESIÓN SONORA	dB(A)	68	70	
	POTENCIA SONORA		79	81	

(1) Condiciones de referencia: Temperatura ambiente 20°C - Presión barométrica 1013 mbar - Altitud sobre el nivel del mar 0 metros.

(2) Pruebas de emisiones sonoras realizadas de acuerdo con la Normativa EN 15036-1, con exactitud de medida $\sigma = \pm 1,5$ dB, en el laboratorio de combustión del fabricante con quemador que funciona a máxima potencia en la caldera de prueba.

VERSIONES CONSTRUCTIVAS

Modelo	Código	Alimentación eléctrica	Longitud tubo llama mm
RL 34 MZ	3470200 - 3470210	monofásica	216
	3470201 - 3470211	monofásica	351
RL 44 MZ	3470300 - 3470310	monofásica	216
	3470301 - 3470311	monofásica	351
	3470330 - 3470340	trifásica	216
	3470331 - 3470341	trifásica	351

ACCESORIOS (bajo pedido):

• KIT CABEZAL LARGO

Quemador	RL 34 MZ	RL 44 MZ
	Cód. 3010426	Cód. 3010425

• KIT CONTACTOS PULIDOSI	Códe 3010419
• KIT POSTVENTILACIÓN	Códe 3010453
• KIT CUENTAHORAS	Códe 3010450
• KIT INTERRUPTOR DIFERENCIAL	Códe 3010448
• KIT PROTECCIÓN CONTRA LAS INTERFERENCIAS RADIO En caso de instalar el quemador en ambientes especiales expuestos a interferencias radio (emisión de señales de más de 10 V/m) debido a la presencia de INVERTER o en aplicaciones donde las conexiones del termostato superan los 20 metros de longitud, se encuentra disponible un kit de protección como interfaz entre la caja de control y el quemador.	Códe 3010386

• DESGASIFICADOR

Es posible que en el gasóleo aspirado por la bomba haya aire proveniente del mismo gasóleo bajo presión o desde algún cierre imperfecto.

En las instalaciones de dos tubos, el aire retorna en la cisterna desde el tubo de retorno; por el contrario, en las instalaciones de un tubo sigue circulando causando variaciones de presión en la bomba y un funcionamiento defectuoso del quemador.

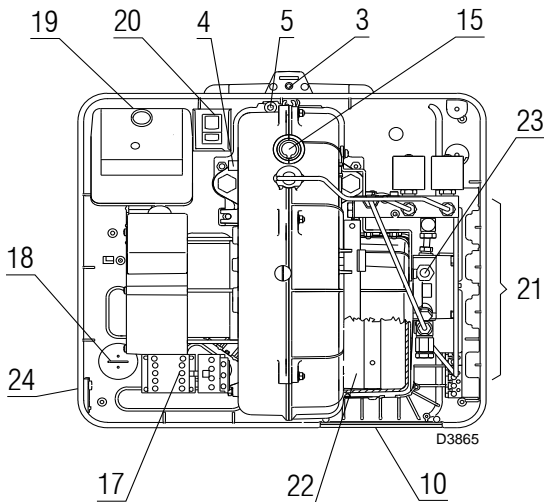
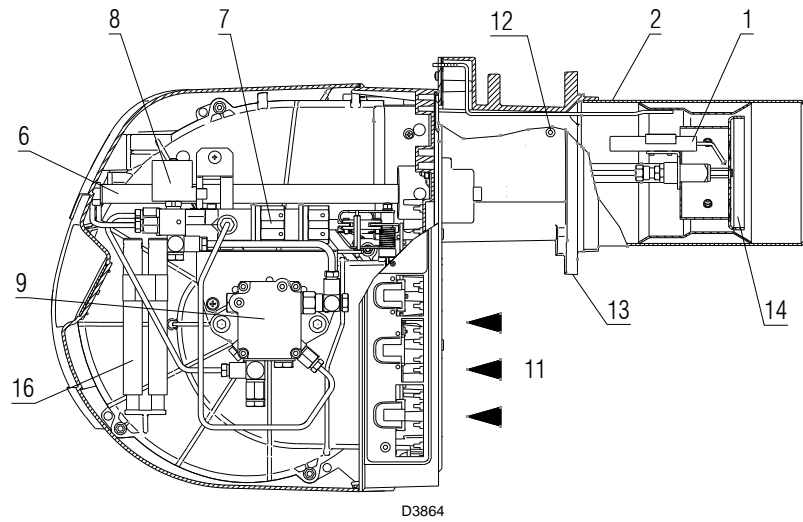
Para resolver este problema, aconsejamos, para las instalaciones de un tubo, instalar un desgasificador cerca del quemador. Está disponible en dos versiones:

COD. 3010054 sin filtro

COD. 3010055 con filtro

Características desgasificador

- Caudal quemador : 80 kg/h max
- Presión gasóleo : 0,7 bar max
- Temperatura ambiente : 40 °C max
- Temperatura gasóleo : 40 °C max
- Racores de unión : 1/4 pulgada



DESCRIPCIÓN DEL QUEMADOR (A)

- 1 Electrodo de encendido
- 2 Cabezal de combustión
- 3 Tornillo regulación cabezal de combustión
- 4 Seguridad contra fallo de llama mediante fotorresistencia
- 5 Tornillo fijación del ventilador a la brida
- 6 Guías para apertura del quemador e inspección del cabezal de combustión
- 7 Cilindro hidráulico para regular el registro de aire en la posición de 1ª y 2ª llama.
Cuando el quemador está parado, el registro del aire está completamente cerrado para reducir al mínimo la dispersión térmica de la caldera debido al tiro que toma aire de la boca de aspiración del ventilador.
- 8 Grupo válvulas 1ª y 2ª llama
- 9 Bomba
- 10 Soporte con 4 orificios para el paso tubos flexibles y eléctricos.
- 11 Entrada de aire en el ventilador
- 12 Toma de presión ventilador
- 13 Brida para la fijación a la caldera
- 14 Disco estabilizador de llama
- 15 Visor llama
- 16 Alargadores guías 6)
- 17 Contactor motor y relé térmico con pulsador de desbloqueo (RL 44 MZ trifásico)
- 18 Condensador motor (RL 34 MZ - RL 44 MZ monofásico)
- 19 Caja de control con piloto luminoso de bloqueo y pulsador de desbloqueo
- 20 Dos interruptores eléctricos:
- uno de "marcha-paro" quemador
- uno para "1ª llama - 2ª llama"
- 21 Tomas para la conexión eléctrica
- 22 Registro de aire
- 23 Regulación presión bomba
- 24 Soporte con 2 orificios para el paso tubos flexibles y eléctricos

Hay dos posibilidades de bloqueo del quemador:

Bloqueo caja control: la iluminación del pulsador (led rojo) de la caja 19)(A) indica que el quemador está bloqueado.

Para desbloquear, oprimir el pulsador durante un tiempo comprendido entre 1 y 3 segundos).

Bloqueo motor (RL 44 MZ trifásico): para desbloquear, oprimir el pulsador del relé térmico 17)(A).

(A)

EMBALAJE - PESO (B) - Medidas aproximadas

- Los quemadores se expiden en embalaje de cartón, cuyas dimensiones se especifican en la tabla (B).
- El peso del quemador completo con embalaje se indica en la tabla (B).

DIMENSIONES MÁXIMAS (C) - Medidas aproximadas

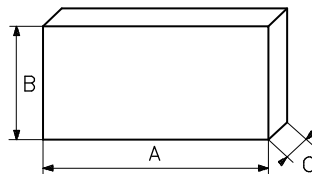
Las dimensiones máximas del quemador se indican en (C).

Tener en cuenta que para inspeccionar el cabezal de combustión, el quemador debe abrirse desplazando la parte posterior por las guías. La longitud máxima del quemador abierto, sin envolvente, está indicada por la cota O.

FORMA DE SUMINISTRO

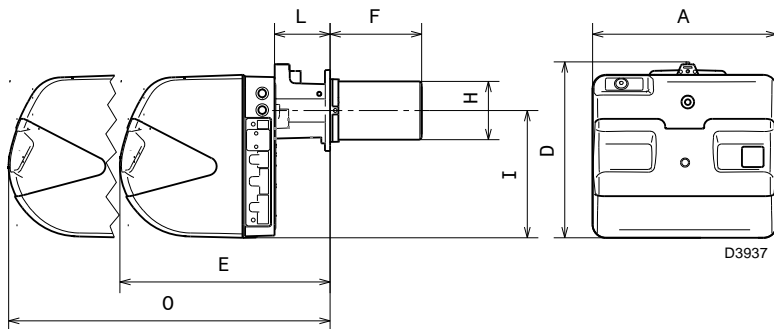
- 2 - Tubos flexibles
- 2 - Juntas para tubos flexibles
- 2 - Nipples para tubos flexibles
- 1 - Junta aislante
- 2 - Alargadores 16)(A) para guías 6)(A) (solo en modelos con cabezal de 351 mm)
- 4 - Tornillos para fijar la brida del quemador a la caldera: M 8 x 25
- 2 - Conectores para la conexión eléctrica (RL 34 MZ y RL 44 MZ monofásico)
- 3 - Conectores para la conexión eléctrica (RL 44 MZ trifásico)
- 1 - Instrucciones
- 1 - Lista de recambios

mm	A	B	C	kg
RL 34 MZ	1000	500	485	32
RL 44 MZ	1000	500	485	33



(B)

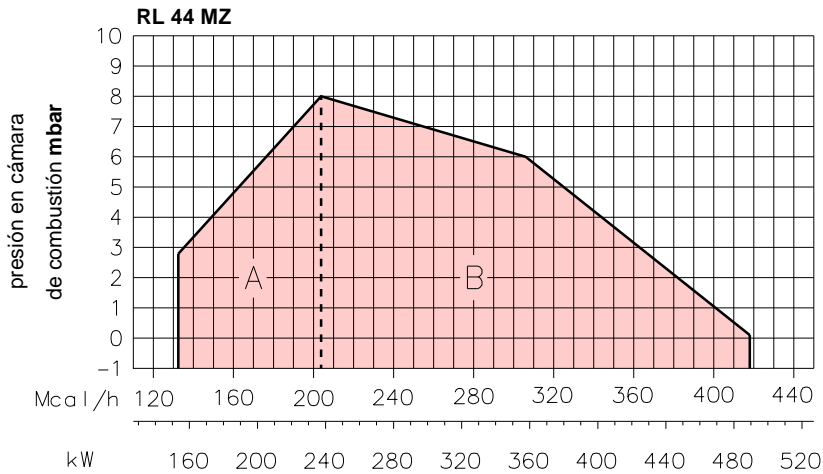
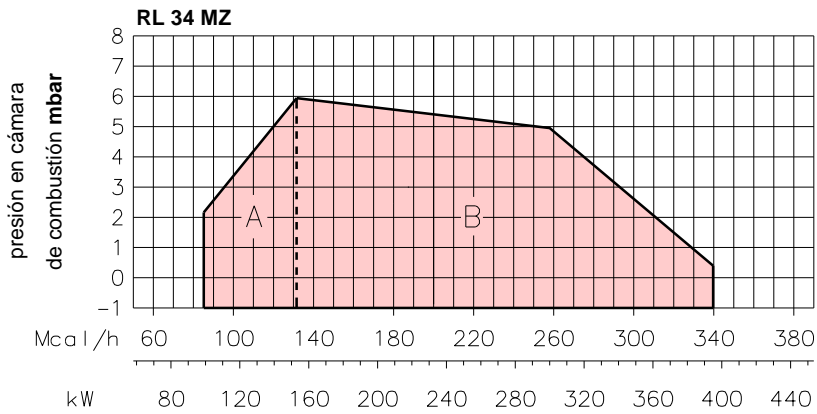
D88



mm	A	D	E	F ⁽¹⁾	H	E	L	O ⁽¹⁾
RL 34 MZ	442	422	508	216 - 351	140	305	138	780 - 915
RL 44 MZ	442	422	508	216 - 351	152	305	138	780 - 915

(1) Tubo llama: normal - alargado

(C)



CAMPOS DE TRABAJO (A)

Los quemadores RL 34 MZ - RL 44 MZ pueden funcionar de dos modos: monollama y billama.

El **CAUDAL en 1ª llama** debe seleccionarse dentro de la zona A del gráfico que hay al margen.

El **CAUDAL de la 2ª llama** debe elegirse dentro del área B. este área proporciona el caudal máximo del quemador en función de la presión en la cámara de combustión.

El punto de trabajo se encuentra trazando una línea vertical desde el caudal deseado y una horizontal desde la presión correspondiente en la cámara de combustión. El punto de encuentro de las dos redes es el punto de trabajo que debe permanecer dentro del área B.

Atención:

Estos gráficos se han determinado considerando una temperatura ambiente de 20°C y una presión barométrica de 1013 mbar (aprox. 0 metros sobre el nivel del mar) y con el cabezal de combustión regulado como se indica en la página 7.

CALDERA DE PRUEBA (B)

Los gráficos se ha obtenido con calderas de prueba especiales, según el método indicado en la norma EN 267.

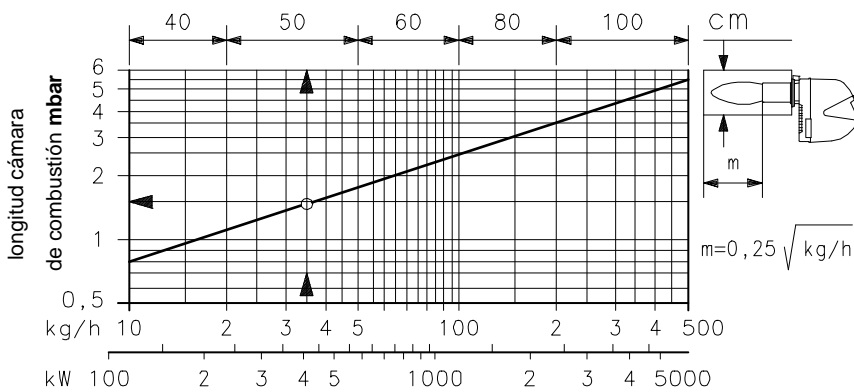
En la figura (B) se indica el diámetro y longitud de la cámara de combustión de la caldera de prueba.

Ejemplo: Caudal 35 kg/hora:
diámetro = 50 cm; longitud 1,5 m.

Si el quemador se instala en una caldera comercial con cámara de combustión mucho más pequeña, antes debe realizarse una prueba.

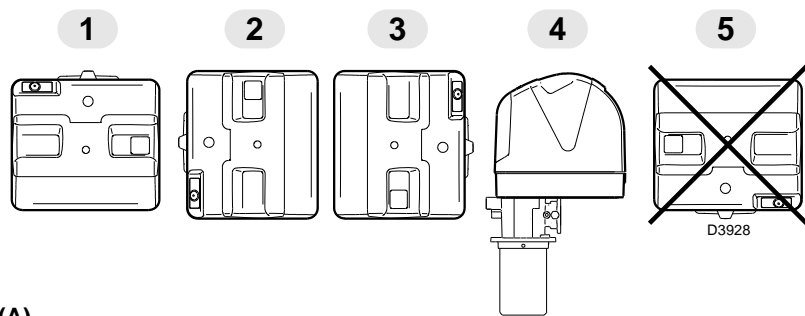
(A)

D3866



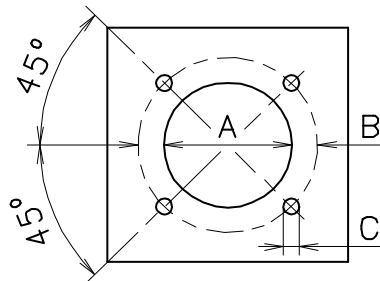
(B)

D454



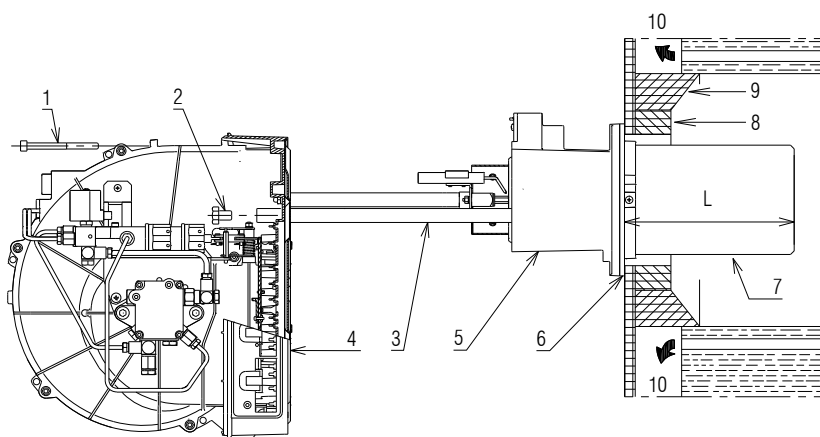
(A)

mm	A	B	C
RL 34 MZ	160	224	M 8
RL 44 MZ	160	224	M 8



D455

(B)



D3867

(C)

INSTALACIÓN

⚠ EL QUEMADOR SE DEBE INSTALAR DE CONFORMIDAD CON LAS LEYES Y NORMATIVAS LOCALES.

POSICIÓN DE FUNCIONAMIENTO (A)

⚠ El quemador está preparado exclusivamente para el funcionamiento en las posiciones **1, 2, 3 y 4**.

Es conveniente escoger la instalación **1** puesto que es la única que permite el mantenimiento tal como descrito a continuación en este manual. Las instalaciones **2, 3 y 4** permiten el funcionamiento pero provocan que las operaciones de mantenimiento y de inspección del cabezal de combustión sean menos ágiles pág. 14.

⊘ Otra posición se debe considerar comprometedor para el funcionamiento correcto del aparato.

La instalación **5** está prohibida por motivos de seguridad.

PLACA DE CALDERA (B)

Taladrar la placa de cierre de la cámara de combustión tal como se indica en (B). Puede marcarse la posición de los orificios roscados utilizando la junta aislante que se suministra con el quemador.

LONGITUD TUBO LLAMA (C)

La longitud del tubo de llama debe seleccionarse de acuerdo con las indicaciones del fabricante de la caldera y, en cualquier caso, debe ser mayor que el espesor de la puerta de la caldera completa, con el material refractario incluido. La longitud L (mm) disponible es:

Tubo llama 7):	RL 34 MZ	RL 44 MZ
• corto	216	216
• largo	351	351

Para calderas con pasos de humos delanteros 10) o con cámara de inversión de llama, colocar una protección de material refractario 8) entre el refractario de la caldera 9) y el tubo de llama 7). Esta protección debe permitir el desplazamiento del tubo de llama.

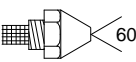
En calderas con frontal refrigerado por agua, no es necesario el revestimiento refractario 8)-9)(C), salvo que lo indique el fabricante de la caldera.

FIJACIÓN DEL QUEMADOR A LA CALDERA (C)

Desmonte del quemador 4) el grupo tubo llama 7) y el collarín 5):

- Sacar los tornillos 2) de las dos guías 3).
- Quite el tornillo 1) y retrase el quemador sobre las guías 3).

Fije el grupo 5) y 7)(C) a la placa de la caldera interponiendo la junta aislante 6)(C) suministrada de serie. Utilice los 4 tornillos puros suministrados de serie después de haber protegido su rosca con productos antiagarrotamiento. El acoplamiento del quemador con la caldera debe ser hermético.

 60	GPH	kg/h (1)			kW 12 bar	Boquillas aconsejadas
		10 bar	12 bar	14 bar		
RL 34 MZ	1,00	3,9	4,3	4,7	51,0	DANFOSS 60° H DELAVAN 60° A MONARCH 60° PL HAGO 60° P
	1,25	4,8	5,4	5,8	64,0	
	1,50	5,8	6,5	7,0	77,0	
	1,75	6,8	7,5	8,2	89,0	
	2,00	7,7	8,5	9,2	100,8	
	2,25	8,6	9,5	10,4	112,7	
	2,50	9,6	10,6	11,5	125,7	
	2,75	10,7	11,8	12,8	139,3	
	3,00	11,5	12,7	13,8	150,6	
	3,25	12,4	13,7	14,9	162,5	
	3,50	13,5	14,8	16,1	175,5	
	4,00	15,6	17,2	18,7	203,5	
	4,50	17,3	19,1	20,7	226,5	
	RL 44 MZ	1,50	5,8	6,5	7,0	
1,75		6,8	7,5	8,2	89,0	
2,00		7,7	8,5	9,2	100,8	
2,25		8,6	9,5	10,4	112,7	
2,50		9,6	10,6	11,5	125,7	
2,75		10,7	11,8	12,8	139,3	
3,00		11,5	12,7	13,8	150,6	
3,50		13,5	14,8	16,1	175,5	
4,00		15,4	17,0	18,4	201,6	
4,50		17,3	19,1	20,7	226,5	
5,00		19,2	21,2	23,0	251,4	
5,50		21,1	23,3	25,3	276,3	
6,00		23,1	25,5	27,7	302,4	

(1) Gasóleo: densidad 0,84 kg/dm³
viscosidad 4,2 cSt/20 °C
temperatura 10 °C

(A)

SELECCIÓN BOQUILLAS 1ª Y 2ª LLAMA

El quemador está en conformidad con los requerimientos sobre emisiones previstos por la norma EN 267.

Para garantizar la regularidad de las emisiones se deben utilizar boquillas aconsejadas y/o alternativas indicadas por Riello en las instrucciones y advertencias.

Atención: Se aconseja sustituir anualmente las boquillas durante el mantenimiento periódico.

Precaución: El uso de boquillas diferentes de las prescritas por Riello S.p.A. y el mantenimiento periódico incorrecto pueden implicar la inobservancia de los límites de emisión previstos por las normativas vigentes y en casos extremos, el riesgo potencial de daños a cosas o a personas.

La Sociedad fabricante no se responsabilizará de ninguna manera por los daños causados debido a la inobservancia de las prescripciones presentes en este manual.

Las dos boquillas deben elegirse entre las que figuran en la tabla (A).

La primera boquilla determina el caudal del quemador en 1ª llama.

La segunda boquilla funciona conjuntamente con la primera y entre las dos determinan el caudal del quemador en 2ª llama.

Los caudales de la 1ª y 2ª llama deben estar comprendidos entre los valores indicados en la pág. 2.

Utilizar preferentemente boquillas con ángulo de pulverización de 60° y presión de 12 bar.

Generalmente, las dos boquillas son del mismo caudal, en caso necesario, la boquilla de 1ª llama puede ser:

- un caudal inferior al 50% del caudal total, cuando se desea reducir un poco la contrapresión en el momento del encendido;
- un caudal superior al 50% del caudal total, cuando se desea mejorar la combustión en 1ª llama.

Ejemplo con RL 34 MZ

Potencia caldera = 270 kW - rendimiento 90%

Potencia en quemador =

$270 : 0,9 = 300 \text{ kW}$

$300 : 2 = 150 \text{ kW por boquilla}$

es decir, se necesitan dos boquillas iguales de 60° y 12 bar de presión:

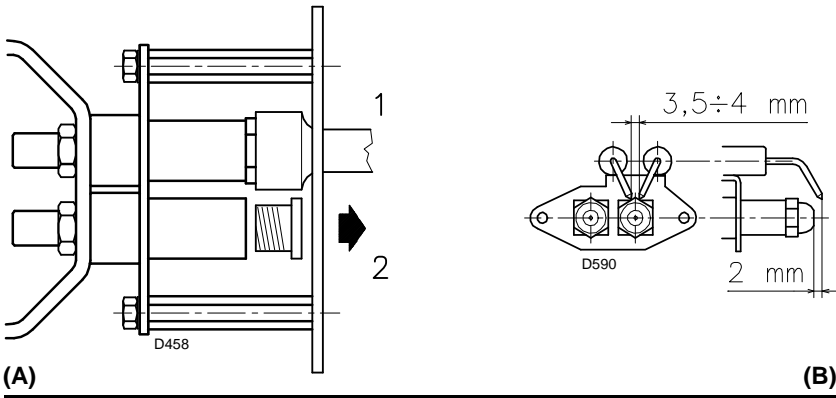
1° = 3,00 GPH - 2° = 3,00 GPH,

o bien dos boquillas diferentes:

1° = 2,50 GPH - 2° = 3,50 GPH,

o:

1° = 3,50 GPH - 2° = 2,50 GPH.



MONTAJE DE LAS BOQUILLAS

En este punto de la instalación, el quemador está todavía separado del tubo de llama; es, por tanto, posible montar las dos boquillas con la llave de tubo 1)(A) (de 16 mm), después de haber retirado los tapones de plástico 2)(A), pasando por la abertura central del disco estabilizador de llama. No utilizar productos de estanqueidad, como juntas, cinta o silicona. Tener cuidado en no dañar o rayar el asiento de estanqueidad de la boquilla. El apriete de la boquilla debe ser fuerte, pero sin llegar al par máximo que permita la llave.

La boquilla para la 1ª llama de funcionamiento es la que se halla debajo de los electrodos de encendido, fig. (B).

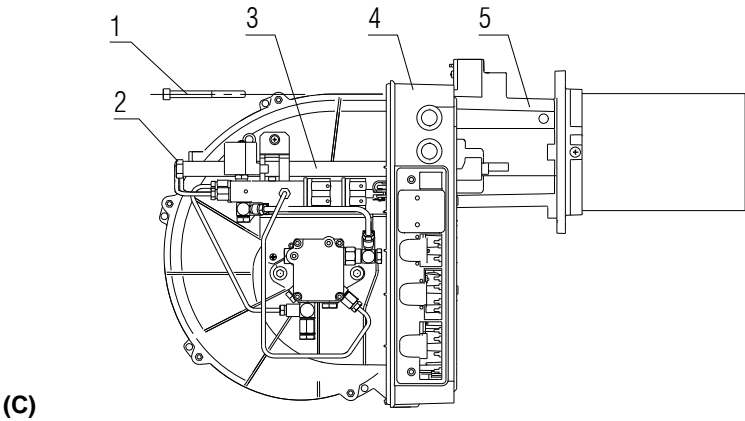
Comprobar que los electrodos estén posicionados como se indica en la fig. (B).

Por último, volver a montar el quemador 4)(C) sobre las guías 3), desplazándolo hasta la brida 5), manteniéndolo ligeramente levantado para evitar que el disco estabilizador de llama tropiece con el tubo de llama.

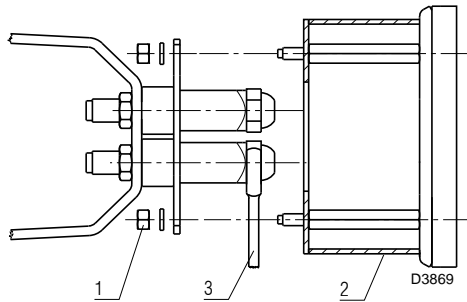
Apretar los tornillos 2) de las guías 3) y lo tornillo 1) que fija el quemador a la brida.

Si fuese necesario sustituir una boquilla con el quemador ya instalado en la caldera, proceder del modo siguiente:

- Desplazar el quemador sobre las guías, tal como muestra la fig. (C)p.5.
- Retirar las tuercas 1)(D) y el grupo disco estabilizador 2)
- Sustituir la boquilla con la llave 3)(D).

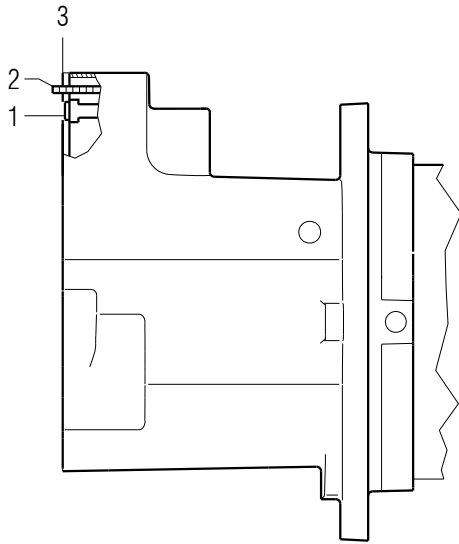


(C) D3868



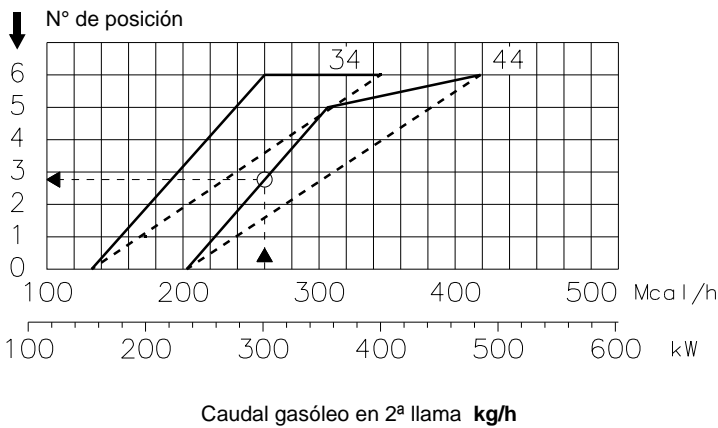
(D)

REGULACIÓN CABEZAL DE COMBUSTIÓN



(A)

D3910



(B)

D3870

REGULACIÓN DEL CABEZAL DE COMBUSTIÓN

A estas alturas de la instalación, tubo llama y collarín están fijados a la caldera como indica la fig. (C)p. 5. La regulación del cabezal de combustión depende únicamente del caudal de combustible del quemador en 2ª llama, es decir, de la suma de los caudales de las dos boquillas seleccionadas a pág. 6.

Girar el tornillo 1)(A) hasta que coincida el número de posición indicado en el gráfico 2)(A) con el plano de la placa 3)(A).

Ejemplo:

RL 44 MZ con dos boquillas de 3,00 GPH y presión de 12 bar en la bomba.

Hallar en la tabla (A)pág. 6 el caudal de las dos boquillas de 3,00 GPH:

12,7 + 12,7 = 25,4 kg/h
(correspondientes a 300 kW).

El diagrama (B) indica que para un caudal de 25,4 kg/h el quemador RL 44 MZ necesita una regulación del cabezal de combustión en la muesca 3 aproximadamente.

Nota

Si la presión en la cámara es igual a 0 mbar, la regulación del aire se debe realizar en referencia a la línea discontinua del diagrama (B).

Una vez terminada la regulación del cabezal, vuelva a montar el quemador 4)(C)p.5 en las guías 3)(C)p.5 a unos 100 mm del collarín 5)(C)p.5, introduzca los cables de los electrodos y después haga que el quemador se deslice hasta el collarín.

Vuelva a poner los tornillos 2)(C)p.5 en las guías 3)(C)p.5.

Fije el quemador al collarín con el tornillo 1)(C)p.5.

Atención

En el momento del cierre del quemador en las guías, es conveniente tirar suavemente hacia el exterior de los cables de alta tensión hasta colocarlos en ligera tensión.

INSTALACIÓN HIDRÁULICA

ALIMENTACIÓN DE COMBUSTIBLE

Alimentación con dos tubos (A)

El quemador va provisto de una bomba autocebable que es capaz de autoalimentarse, dentro de los límites que figuran en la tabla que hay al margen.

Depósito más elevado que el quemador A

La cota P no debe ser superior a 10 metros para no someter al retén de la bomba a una presión excesiva; y la cota V no debe ser superior a 4 metros para que la bomba pueda autocebarse, incluso con el depósito casi vacío.

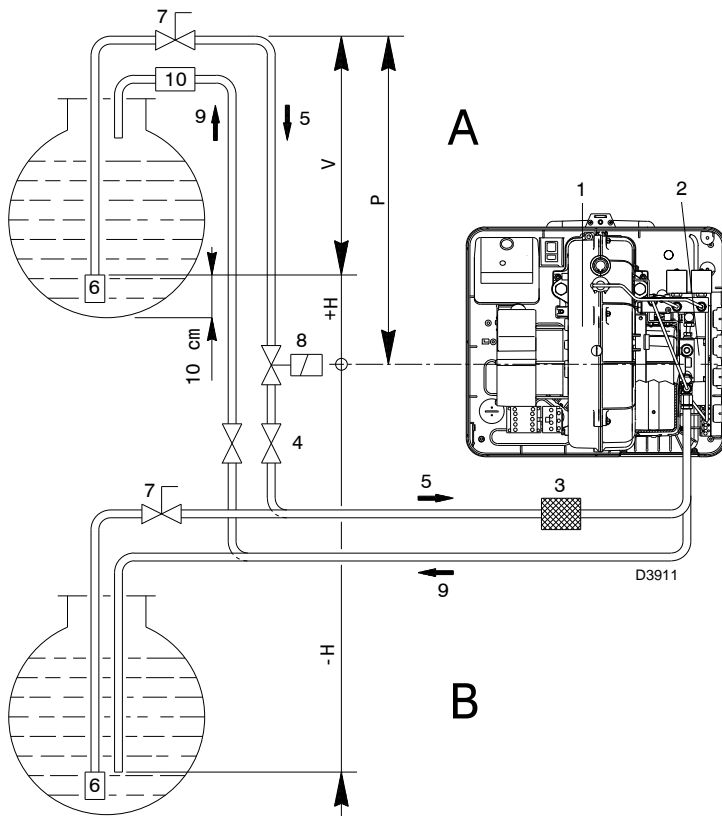
Depósito más bajo que el quemador B

No se debe superar una depresión en la bomba de 0,45 bar (35 cm Hg). Con una depresión superior se gasificaría parte del combustible, la bomba haría ruido y se acortaría la vida de la misma.

Es aconsejable que el tubo de retorno y el de aspiración entren en el quemador a la misma altura; de este modo es más difícil que se produzca un descebado del tubo de aspiración.

Alimentación en anillo

La alimentación en anillo está formada por un tubo que sale del depósito y retorna a él, con una bomba auxiliar que hace circular el combustible a presión. Una derivación del anillo alimenta al quemador. Este sistema es útil cuando la bomba del quemador no es capaz de autoalimentarse porque la distancia o el desnivel respecto al depósito son superiores a los valores indicados en la Tabla.



+ H - H (m)	L (m)					
	RL 34 MZ Ø (mm)			RL 44 MZ Ø (mm)		
	8	10	12	8	10	12
+ 4,0	52	134	160	35	90	152
+ 3,0	46	119	160	30	80	152
+ 2,0	39	104	160	26	69	152
+ 1,0	33	89	160	21	59	130
+ 0,5	30	80	160	19	53	119
0	27	73	160	17	48	108
- 0,5	24	66	144	15	43	97
- 1,0	21	58	128	13	37	86
- 2,0	15	43	96	9	27	64
- 3,0	8	28	65	4	16	42
- 4,0	-	12	33	-	6	20

Leyenda (A)

H = Desnivel bomba-válvula de fondo

L = Longitud tubería

Ø = Diámetro interior del tubo

1 = Quemador

2 = Bomba

3 = Filtro

4 = Llave de paso

5 = Conducto aspiración

6 = Válvula de pie

7 = Válvula manual de cierre rápido, con mando a distancia (sólo en Italia)

8 = Electroválvula de cierre (sólo en Italia)

9 = Conducto de retorno

10 = Válvula de retención (sólo en Italia)

CONEXIONES HIDRÁULICAS (B)

Las bombas llevan un by-pass que comunica el retorno con la aspiración. Se deben instalar en el quemador, con el by-pass cerrado por el tornillo 6)(B)p.11.

Así pues, es necesario conectar los dos conductos a la bomba.

Si hacemos funcionar la bomba con el retorno cerrado y el tornillo del by-pass colocado, se avería inmediatamente.

Retirar los tapones de las conexiones de aspiración y de retorno de la bomba.

En su lugar roscar los tubos flexibles con las juntas que se suministran.

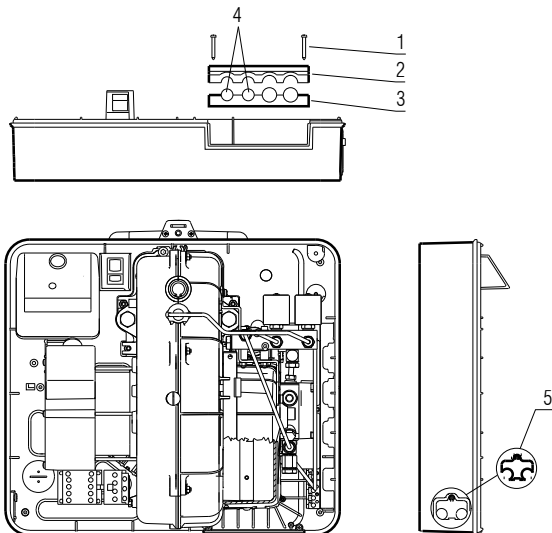
Al montar los tubos flexibles, éstos no deben someterse a torsiones ni estiramientos.

Haga pasar los tubos flexibles a través de los orificios de la placa izquierda 5)(B), retirando el sutil diafragma que cierra los dos orificios, o bien según como se indica a continuación: extraer los tornillos 1), abrir la plaqueta en dos partes 2) y 3), recortar la membrana que cubre los dos orificios 4).

Colocar los tubos de forma que no puedan ser pisados ni estén en contacto con superficies calientes de la caldera.

Por último, conectar el otro extremo de los tubos flexibles a las entrerroscas, entregadas, usando dos llaves: una en el racor giratorio del tubo flexible, para enroscar, y una sobre la entrerroscas, para tenerlo firme.

(A)

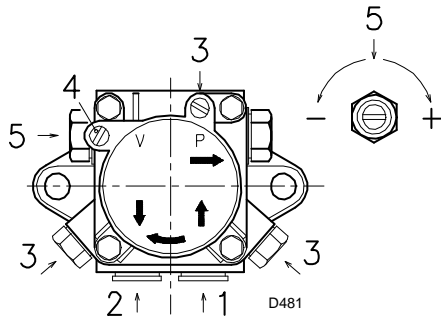


(B)

D3871

RL 34 MZ:
SUNTEC AN 57 C

RL 44 MZ:
SUNTEC AN 67 C



BOMBA		AN 57 C	AN 67 C
A	kg/h	45	67
B	bar	7 - 14	10 - 20
C	bar	0,45	0,45
D	cSt	2 - 75	2 - 75
E	°C	60	60
F	bar	2	2
G	bar	12	12
H	mm	0,150	0,150

(A)

BOMBA (A)

- 1 - Aspiración G 1/4"
- 2 - Retorno G 1/4"
- 3 - Conexión manómetro G 1/8"
- 4 - Conexión vacuómetro G 1/8"
- 5 - Regulación presión

- A - Caudal mínimo a 12 bar de presión
- B - Campo de regulación presión de salida
- C - Depresión máxima en aspiración
- D - Campo de viscosidad
- E - Temperatura máxima gasóleo
- F - Presión máx. en aspiración y retorno
- G - Regulación de la presión en fábrica
- H - Ancho malla filtro

CEBADO DE LA BOMBA

- Antes de poner en funcionamiento el quemador, asegurarse de que el tubo de retorno del depósito no está obstruido, lo cual provocaría la rotura del retén del eje de la bomba. (La bomba sale de fábrica con la válvula de by-pass cerrada).
- A fin de que la bomba pueda autocebarse, es indispensable aflojar el tornillo 3)(A) de la bomba para purgar el aire que pueda haber en el tubo de aspiración.
- Poner en marcha el quemador cerrando los termostatos y con el interruptor 1)(B)p.10 en la posición "MARCHA". La bomba debe girar en el sentido de la flecha que hay marcada en la cubierta.
- Cuando el gasóleo sale por el tornillo 3), es indicativo de que la bomba está cebada. Parar el quemador: interruptor 1)(B)p.10 en posición "PARO" y apretar el tornillo 3).

El tiempo que se necesita para esta operación depende del diámetro y de la longitud del tubo de aspiración. Si la bomba no se ceba en el primer arranque y el quemador se bloquea, esperar unos 15 segundos, rearmar y repetir la operación de arranque tantas veces como sea necesario. Y así sucesivamente. Cada 5 ó 6 arranques, esperar 2 ó 3 minutos para que se enfríe el transformador.

No iluminar la resistencia para evitar que se bloquee el quemador; de todos modos, el quemador se bloqueará al cabo de unos 10 segundos del arranque.

Atención: la operación indicada anteriormente es posible porque la bomba sale de fábrica llena de combustible. Si se ha vaciado la bomba, llenarla de combustible por el tapón del vacuómetro antes de ponerla en marcha, para evitar que se bloquee.

Cuando el tubo de aspiración tiene más de 20-30 metros de largo, rellenar el conducto con una bomba independiente.

⚠ ATENCIÓN

EL PRIMER ENCENDIDO DEBE SER REALIZADO POR PERSONAL CUALIFICADO Y CON LAS HERRAMIENTAS IDÓNEAS.

ENCENDIDO

Situar el interruptor 1)(B) en la posición "MARCHA".

En el primer encendido, o en el momento de pasar de 1ª a 2ª llama, se produce una disminución momentánea de la presión del combustible como consecuencia de llenarse el tubo que alimenta la 2ª boquilla. Esta bajada de presión puede provocar el paro del quemador, acompañado, a veces, de pulsaciones.

Una vez efectuadas las regulaciones que se describen a continuación, el encendido del quemador debe producir un ruido similar al de funcionamiento. Si se advierten una o más pulsaciones, o un retardo en el encendido respecto a la apertura de la electroválvula del gasóleo, ver los consejos que se indican en la pág. 14: causas 34 ÷ 42.

FUNCIONAMIENTO

Par lograr un reglaje óptimo del quemador, es necesario efectuar un análisis de combustión a la salida de la caldera y actuar sobre los siguientes elementos.

• **Boquillas de 1ª y 2ª llama**

Ver lo indicado en la pág. 6.

• **Cabezal de combustión**

La regulación del cabezal que ya se ha efectuado, no necesita modificación si no se ha variado el caudal del quemador en 2ª llama.

• **Presión bomba**

12 bar: es la presión regulada en fábrica y la que, normalmente, se debe utilizar. A veces, puede ser necesario regularla a:

10 bar para reducir el caudal de combustible. Sólo es posible si la temperatura ambiente permanece por encima de los 0 °C. No bajar nunca de los 10 bar: ya que el hidráulico del aire podría abrirse con dificultad;

14 bar para aumentar el caudal de combustible o para que el quemador se encienda bien incluso a temperaturas inferiores a 0 °C.

Para variar la presión de la bomba, usar el tornillo 5)(A)p. 9.

• **Registro ventilador - 1ª llama**

Mantener el quemador funcionando en 1ª llama, situando el interruptor (2)(B) en la posición 1ª llama. La abertura del registro 1)(A) debe ser proporcional a la boquilla elegida: el índice 7)(A) debe corresponderse con el número de posición que se indica en la tabla (C). El reglaje se efectúa girando el hexágono 4)(A):

- hacia la derecha (signo -), la abertura disminuye;
- hacia la izquierda (signo +), la abertura aumenta.

Ejemplo:

RL 44 MZ - Boquilla primera llama 3,00 GPH: Situar el n° posición 22° con el índice 7)(A).

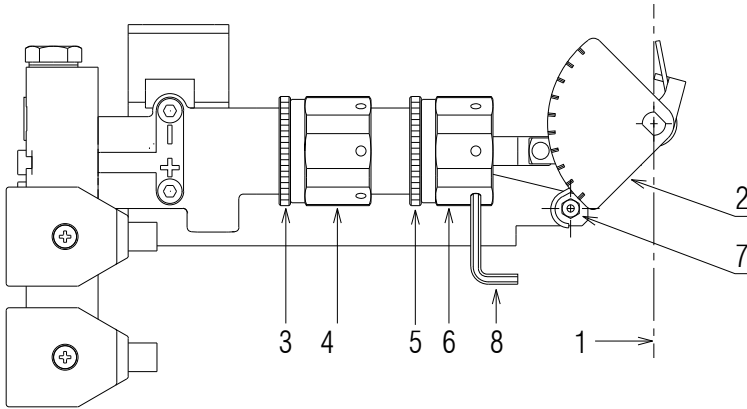
La regulación efectuada, se debe bloquear apretando la contratuerca 3) contra hexágono 4).

• **Registro ventilador - 2ª llama**

Situar el interruptor 2)(B) en posición 2ª llama y regular el registro 1)(A) actuando sobre el hexágono 6)(A), después de haber aflojado la contratuerca 5)(A).

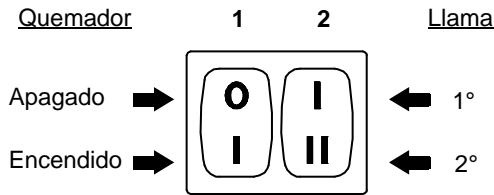
La presión del aire en la toma 1)(D) debe ser la indicada en la tabla (D) más la sobrepresión de la cámara de combustión medida en la toma 2). Ver ejemplo en el dibujo de la figura.

NOTA: Para facilitar la regulación de los hexágonos 4) y 6)(A), utilizar una llave hexagonal de 3 mm 8)(A).



(A)

D3872



(B)

D469

Versiones 50 Hz

Versiones 60 Hz

RL 34 MZ		RL 44 MZ	
GPH	α	GPH	α
2,25	20	3,00	22
2,50	23	3,50	26
3,00	27	4,00	28
3,25	30	4,50	30
3,50	33	5,00	32
4,00	37		
4,50	40		

RL 34 MZ		RL 44 MZ	
GPH	α	GPH	α
2,25	20	3,00	20
2,50	22	3,50	24
3,00	25	4,00	26
3,25	28	4,50	28
3,50	30	5,00	30
4,00	32		
4,50	35		

1ª LLAMA

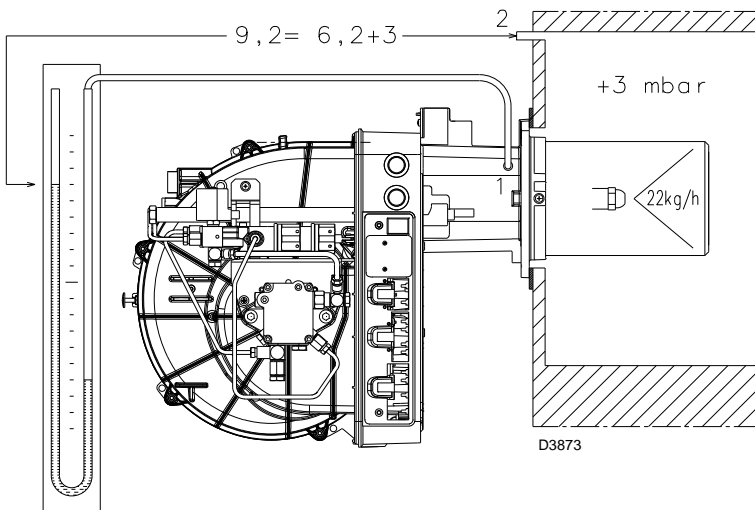
α = N° posición

(C)

RL 34 MZ		RL 44 MZ	
kg/h	mbar	kg/h	mbar
13	5,4	20	4,2
14	5,6	22	4,7
16	5,7	24	4,9
18	5,9	26	5,1
20	6,0	29	5,4
22	6,2	32	5,6
24	6,4	35	6,3
26	6,6	38	7,4
28	6,7	40	8,6
30	6,9	41	9,0
32	7,0		
34	7,1		

2ª LLAMA

mbar = presión aire en 1), con cero presión en 2)



(D)

D3873

FUNCIONAMIENTO DEL QUEMADOR

PUESTA EN MARCHA DEL QUEMADOR (A) - (B)

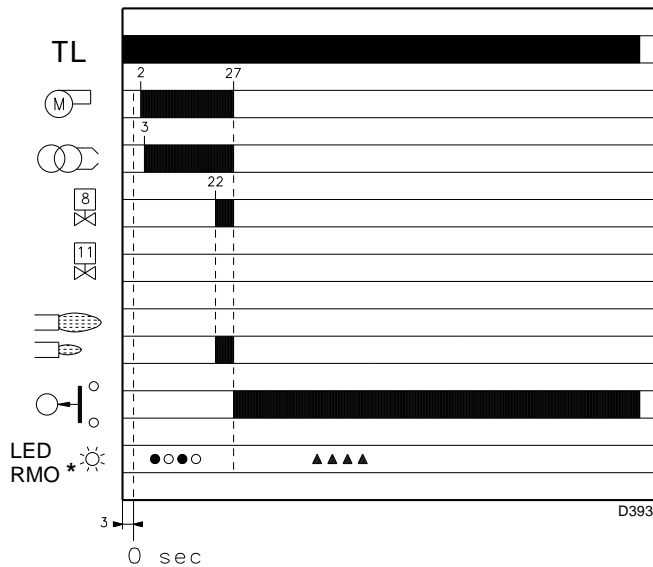
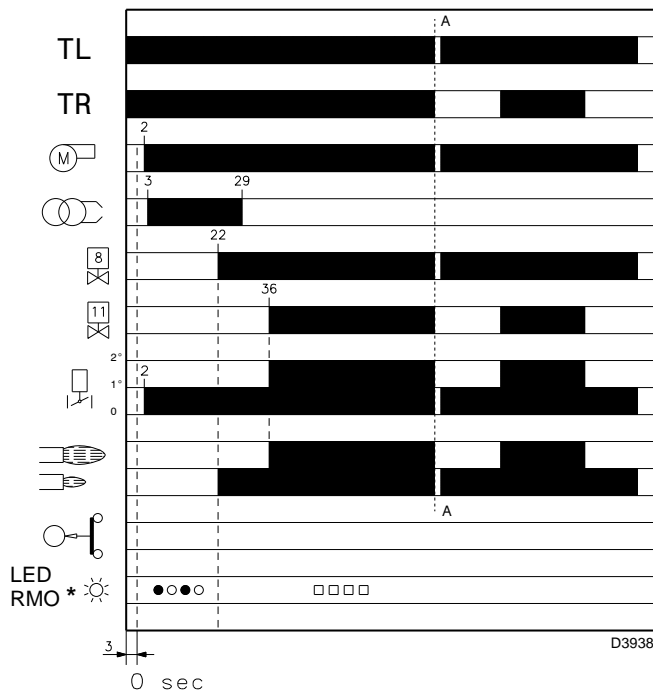
Fases de puesta en marcha con los tiempos progresivos en segundos:

- Se cierra el termostato TL. Después de alrededor de 3 s:
- **0 s** : Inicia el programa la caja de control.
- **2 s** : Se pone en marcha el motor ventilador.
- **3 s** : Se conecta el transformador de encendido.

La bomba 3) aspira el combustible del depósito a través del conducto 1) y del filtro 2) y lo bombea a presión. El pistón 4) se desplaza y el combustible regresa al depósito a través de los conductos 5) y 7). El tornillo 6) cierra el bypass hacia la aspiración y las electroválvulas 8)-11), desactivadas, cierran el paso hacia las boquillas.

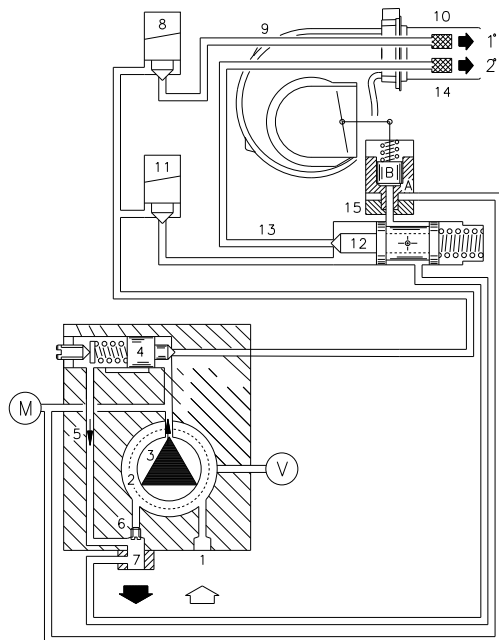
El hidráulico del aire 15), pistón A, abre el registro de aire y efectúa la preventilación con el caudal de aire de 1ª llama.

- **22 s** : Se abre la electroválvula 8); el combustible pasa por el conducto 9) y el filtro 10), sale pulverizado por la boquilla y, al entrar en contacto con la chispa, se enciende: la 1ª llama.
 - **29 s** : Se apaga el transformador de encendido.
 - **36 s** : Si el termostato TR está cerrado o ha sido sustituido por un puente, se abre la electroválvula 11) de 2ª llama, el combustible entra en el dispositivo 12) y levanta el pistón que abre dos vías: una hacia el conducto 13), el filtro 14) y la boquilla de 2ª llama; y la otra hacia el hidráulico del aire 15), pistón B, que abre el registro de aire del ventilador en 2ª llama.
- Finaliza el ciclo de puesta en marcha.



- * ○ Apagado ● Amarillo □ Verde ▲ Rojo
Para mayores informaciones, véase la pág. 14.

(A)



(B)

FUNCIONAMIENTO A RÉGIMEN

Instalación con termostato TR

Finalizado el ciclo de puesta en marcha, el mando de la electroválvula de 2ª llama pasa al termostato TR, que controla la presión o la temperatura en caldera.

- Cuando la temperatura o la presión aumenta hasta la abertura del termostato TR, la electroválvula 11) se cierra y el quemador pasa de 2ª a 1ª llama.
 - Cuando la temperatura o la presión disminuye hasta el cierre del termostato TR, la electroválvula 11) se abre y el quemador pasa de 1ª a 2ª llama.
- y así sucesivamente.
- El paro del quemador se produce cuando las necesidades de calor son menores que las generadas por el quemador en 1ª llama. El telemando TL se abre, la electroválvula 8) se cierra, la llama se apaga repentinamente. El registro del aire del ventilador se cierra completamente.

Instalación sin termostato TR, sustituido por un puente

La puesta en marcha del quemador se hace del modo indicado anteriormente. Posteriormente, si la temperatura o la presión aumenta hasta la abertura del termostato TL, el quemador se apaga (segmento A-A del gráfico).

En el momento de desactivarse la electroválvula 11), el pistón 12) cierra la vía hacia la boquilla de 2ª llama y el combustible que hay en el hidráulico del aire 15), pistón B, se descarga en el conducto de retorno 7).

FALTA DE ENCENDIDO

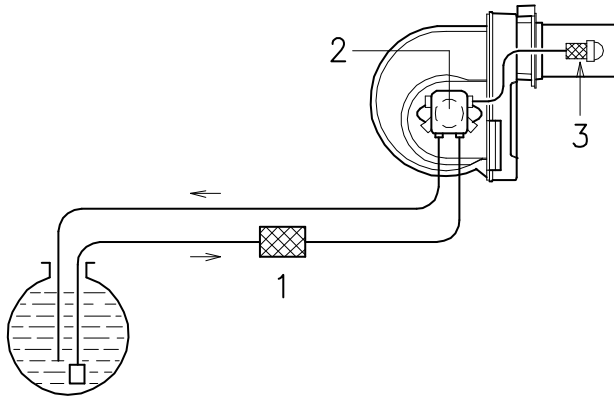
Si el quemador no se enciende, se produce el bloqueo del mismo en un tiempo máximo de 5 segundos desde la abertura de la electroválvula de la 1ª boquilla y 30 segundos después del cierre del termostato TL.

El piloto de la caja de control se ilumina.

APAGADO DE LA LLAMA DURANTE EL FUNCIONAMIENTO

Si la llama se apaga durante el funcionamiento del quemador, éste se bloquea en 1 segundo y efectúa un intento de ponerse en marcha, repitiendo el ciclo de arranque.

(A)



D482

CONTROL FINAL

- **Obscurecer la fotorresistencia y cerrar los termostatos:** el quemador debe arrancar y luego bloquearse a unos 5 segundos aproximadamente de la abertura de la válvula de la 1ª boquilla.
- **Iluminar la fotorresistencia y cerrar los termostatos:** el quemador debe arrancar y, al cabo de unos 10 segundos, bloquearse.
- **Obscurecer la fotorresistencia con el quemador funcionando, debe suceder lo siguiente en secuencia:** apagado de la llama en 1 segundo, ventilación durante 20 segundos, chispa durante unos 5 segundos y bloqueo del quemador.
- **Abrir el termostato TL con el quemador funcionando:** el quemador debe pararse.

MANTENIMIENTO

⚠ El quemador precisa un mantenimiento periódico que debe ser ejecutado por personal especializado **y de conformidad con las leyes y normativas locales.**

⚠ El mantenimiento periódico es fundamental para un buen funcionamiento del quemador; y evita asimismo los consumos de combustible excesivos y, por lo tanto, la emisión de agentes contaminantes.

⚠ Antes de realizar cualquier operación de limpieza o control, apague la alimentación eléctrica del quemador utilizando el interruptor principal del sistema.

Combustión

Efectuar el análisis de los gases de combustión que salen de la caldera. Las diferencias significativas respecto al último análisis indicarán los puntos donde deberán centrarse las operaciones de mantenimiento.

Bomba

La presión de impulsión de la bomba debe ser estable a 12 bar. La depresión debe ser inferior a 0,45 bar. El ruido de la bomba no debe ser perceptible.

En caso de presión inestable o si la bomba hace ruido, desconectar el tubo flexible del filtro de línea y aspirar el combustible de un depósito situado cerca del quemador. Esta medida de precaución permite determinar si la causa de la anomalía es el tubo de aspiración o la bomba.

Si es la bomba, comprobar que su filtro no esté sucio. En efecto, como el vacuómetro está instalado antes del filtro, no muestra el estado de suciedad. En cambio, si la causa de la anomalía está en el conducto de aspiración, comprobar que el filtro de línea no esté sucio o que entre aire en el conducto.

Filtros (A)

Comprobar los cartuchos filtrantes:

- de línea 1) • de la bomba 2) • de la boquilla 3), limpiarlos o sustituirlos.

Si en el interior de la bomba se aprecia oxidación u otras impurezas, aspirar del fondo del depósito con una bomba independiente, el agua y los lodos que eventualmente se hayan depositado.

Ventilador

Verificar que no se haya acumulado polvo en el interior del ventilador ni en las palas de la turbina: reduce el caudal de aire, provocando una combustión defectuosa.

Cabezal de combustión

Verificar que todas las partes del cabezal estén intactas, no estén deformadas por las altas temperaturas, no tengan suciedad proveniente del ambiente y estén correctamente posicionadas.

Boquillas

No intentar limpiar el orificio de las boquillas.

Se aconseja sustituir anualmente las boquillas durante el mantenimiento periódico. Cuando se sustituyan, debe efectuarse un análisis de combustión.

Fotorresistencia

Limpiar el polvo depositado en el cristal. Para extraer la fotorresistencia 4)(A)p.3 tire de ella enérgicamente hacia afuera; está montada sólo a presión.

Tubos flexibles

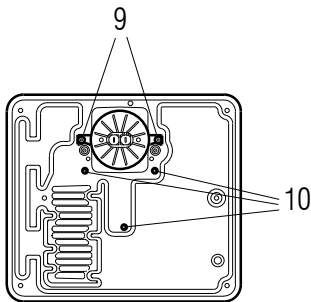
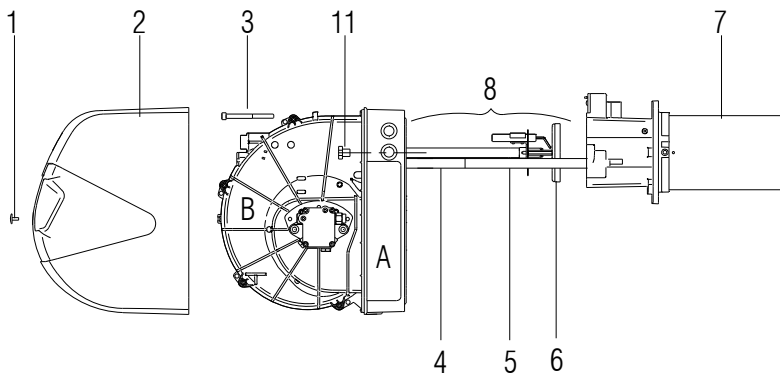
Comprobar que estén en buenas condiciones, que no hayan sido pisados o deformados.

Depósito de combustible

Cada 5 años, aproximadamente, aspirar el agua del fondo del depósito con una bomba independiente.

Caldera

Limpiar la caldera de acuerdo con las instrucciones que la acompañan, con el fin de poder mantener intactas las características de combustión originales, en especial la presión en la cámara de combustión y la temperatura de los humos.



(A)

D3962

PARA ABRIR EL QUEMADOR (A)

- Interrumpir la alimentación eléctrica
- Aflojar lo tornillo 1) y extraer la envoltente 2)
- Desenroscar lo tornillo 3)
- Monte los dos alargadores 4), que se encuentran a bordo del quemador, en las guías 5) (modelo con tubo llama 351 mm)
- Desplazar la parte A, manteniéndola ligeramente levantada para no dañar el disco estabilizador 6) del tubo de llama 7).

MANTENIMIENTO CUADRO ELÉCTRICO (B)

Si se hiciera necesario el mantenimiento del cuadro eléctrico A)(Fig. A) sólo puede retirarse el grupo ventilador B)(Fig. A) para permitir un mejor acceso a los componentes eléctricos.

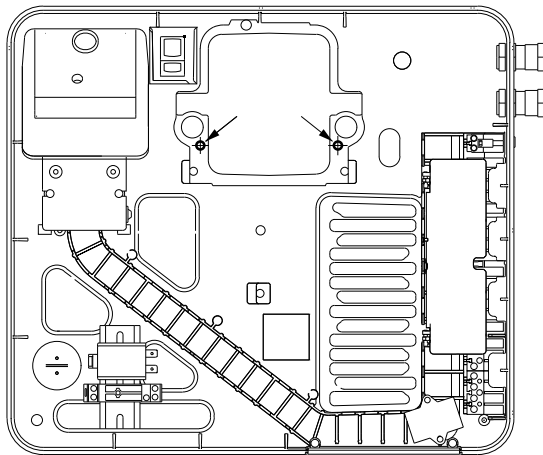
Con el quemador abierto como en la figura fig. (A), desconecte los cables de los electrodos y retire el grupo cabezal 8)(A) desenroscando los dos tornillos 9)(A).

Desconecte los cables relativos al motor ventilador, retire los 3 tornillos 10)(A) que se encuentran en la placa de protección y los 2 tornillos 11)(A) y saque el grupo ventilador B)(Fig. A) de las guías 4) - 5)(A).

Por último, pueden usarse 2 de los 3 tornillos 10)(A) para fijar el cuadro eléctrico al collarín, en los puntos indicados en la fig. (B), y realizar a continuación las operaciones de mantenimiento.

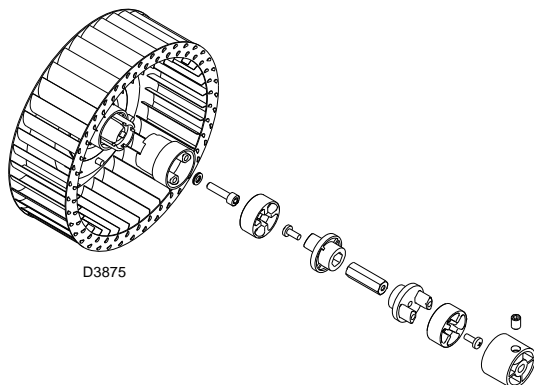
POSIBLE SUSTITUCIÓN BOMBA Y/O ACOPLAMIENTOS (C)

Montar respetando las indicaciones de la figura (C).



(B)

D3877



(C)

DIAGNÓSTICO DEL PROGRAMA DE PUESTA EN MARCHA

Durante el programa de puesta en marcha, en la siguiente tabla se indican las explicaciones:

TABLA CÓDIGO COLOR	
Secuencias	Código color
Preventilación	● ○ ● ○ ● ○ ● ○ ●
Etapa de encendido	● ○ ● ○ ● ○ ● ○ ●
Funcionamiento con llama ok	□ □ □ □ □ □ □ □ □
Funcionamiento con señal de llama débil	□ ○ □ ○ □ ○ □ ○ □
Alimentación eléctrica inferior que ~ 170V	● ▲ ● ▲ ● ▲ ● ▲ ●
Bloqueo	▲ ▲ ▲ ▲ ▲ ▲ ▲ ▲ ▲
Luz extraña	▲ □ ▲ □ ▲ □ ▲ □ ▲
Leyenda:	○ Apagado ● Amarillo □ Verde ▲ Rojo

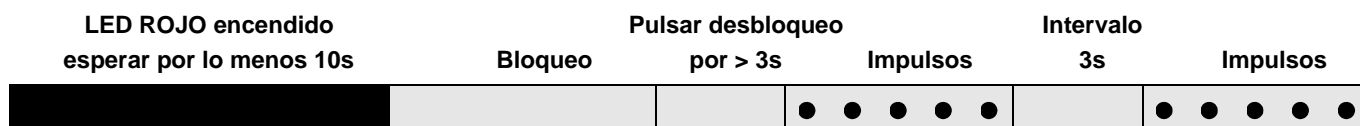
DESBLOQUEO DE LA CAJA DE CONTROL Y USO DE LA FUNCIÓN DE DIAGNÓSTICO

La caja de control suministrada tiene una función de diagnóstico con la que es posible individualizar fácilmente las posibles causas de un problema de funcionamiento (señalización: **LED ROJO**).

Para utilizar dicha función hay que esperar 10 segundos como mínimo desde el momento de la puesta en condición de seguridad (**bloqueo**), y luego oprimir el botón de desbloqueo.

La caja de control genera una secuencia de impulsos (cada 1 segundo) que se repite a intervalos constantes de 3 segundos.

Una vez visualizado el número de parpadeos e identificada la posible causa, hay que restablecer el sistema, manteniendo apretado el botón durante un tiempo comprendido entre 1 y 3 segundos.



A continuación se mencionan los métodos posibles para desbloquear la caja de control y para usar el diagnóstico.

DESBLOQUEO DE LA CAJA DE CONTROL

Para desbloquear la caja de control, proceda de la siguiente manera:

- Oprima el botón durante un tiempo comprendido entre 1 y 3 segundos.
El quemador arranca después de 2 segundos de haber soltado el botón.
Si el quemador no arranca, hay que controlar el cierre del termostato límite.

DIAGNÓSTICO VISUAL

Indica el tipo de desperfecto del quemador que produce el bloqueo.

Para ver el diagnóstico, proceda de la siguiente manera:

- Mantenga apretado el botón durante más de 3 segundos desde el momento en que el led rojo se encendió (bloqueo del quemador).
El final de la operación será indicado por un parpadeo amarillo.
Suelte el botón cuando se produzca dicho parpadeo. El número de parpadeos indica la causa del problema de funcionamiento, según el código que se indica en la tabla de la página 15.

DIAGNÓSTICO SOFTWARE

Suministra el análisis de la vida del quemador mediante una conexión óptica al PC, indicando las horas de funcionamiento, número y tipos de bloqueos, número de serie de la caja de control, etc.

Para ver el diagnóstico, proceda de la siguiente manera:

- Mantenga apretado el botón durante más de 3 segundos desde el momento en que el led rojo se encendió (bloqueo del quemador).
El final de la operación será indicado por un parpadeo amarillo.
Suelte el botón durante 1 segundo y luego oprímalo de nuevo durante más de 3 segundos hasta que se produzca otro parpadeo amarillo.
Al soltar el botón, el led rojo parpadeará intermitentemente con una frecuencia elevada: sólo en este momento se podrá conectar la conexión óptica.

Al concluir la operación hay que restablecer las condiciones iniciales de la caja de control, siguiendo los pasos de desbloqueo antedichos.

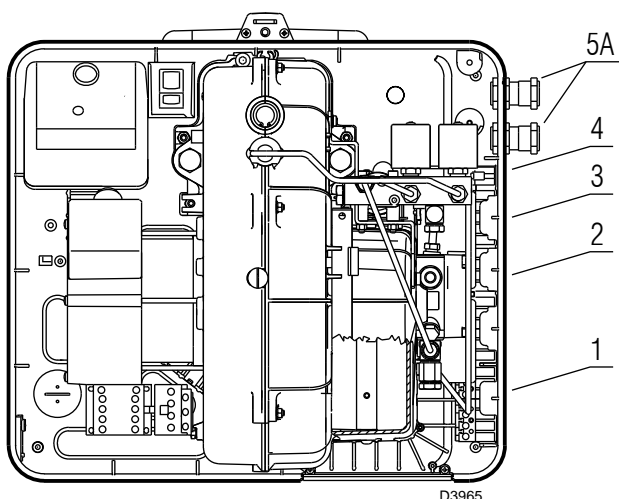
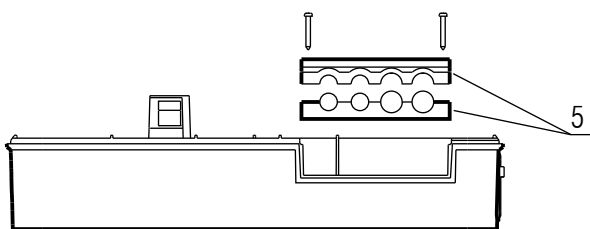
PRESIÓN DEL BOTÓN	ESTADO DE LA CAJA DE CONTROL
De 1 a 3 segundos	Desbloqueo de la caja de control sin visualización del diagnóstico visual.
Más de 3 segundos	Diagnóstico visual de la condición de bloqueo: (el led parpadea cada 1 segundo).
Más de 3 segundos desde la condición de diagnóstico visual	Diagnóstico software mediante la ayuda de la interfaz óptica y PC (posibilidad de visualizar las horas de funcionamiento, desperfectos, etc.)

La secuencia de los impulsos emitidos por la caja de control identifica los posibles tipos de avería que se mencionan en la página 15.

SEÑAL	ANOMALÍA	CAUSA PROBABLE	SOLUCIÓN
Ningún parpadeo	El quemador no se pone en marcha	1 - No hay suministro eléctrico 2 - Termostato de regulación máxima o de seguridad abierto 3 - Bloqueo caja de control 4 - Bloqueo bomba 5 - Conexión eléctrico incorrecto 6 - Caja de control defectuosa 7 - Motor eléctrico defectuoso 8 - Condensador motor defectuoso (RL 34 MZ - RL 44 MZ monofásico)	Cerrar los interruptores; verificar los fusibles Regularlo o sustituirlo Desbloquearla (10 seg. después del bloqueo) Sustituirla Verificarlo Sustituirla Sustituirla
4 impulsos ● ● ● ●	El quemador se pone en marcha y luego se bloquea	9 - Fotorresistencia en cortocircuito 10 - Luz externa o simulación de llama	Sustituir la fotorresistencia Eliminar luz o sustituir caja de control
2 impulsos ● ●	Superado el prebarrido y el tiempo de seguridad, el quemador se bloquea al concluir el tiempo de seguridad	11 - Falta combustible en el depósito o hay agua en el fondo 12 - Cabezal y registro de aire mal regulados 13 - Electroválvulas gasóleo no abren (1ª llama o seguridad) 14 - Boquilla 1ª llama obturada, sucia o deformada 15 - Electrodo de encendido mal regulados o sucios 16 - Electrodo a masa por aislante roto 17 - Cable alta tensión defectuoso o a masa 18 - Cable alta tensión deformado por alta temperatura 19 - Transformador de encendido defectuoso 20 - Conex. eléctrico válvulas o transformador incorrecto 21 - Caja de control defectuosa 22 - Bomba descebada 23 - Acoplamiento motor-bomba roto 24 - Aspiración bomba conectada al tubo de retorno 25 - Válvulas antes de la bomba cerradas 26 - Filtros sucios (de línea -de bomba -de boquilla) 27 - Fotorresistencia o caja de control defectuosa 28 - Fotorresistencia sucia 29 - 1ª llama del hidráulico defectuosa 30 - Bloqueo motor (RL 44 MZ trifásico) 31 - Interruptor mando motor defectuoso (RL 44 MZ trifásico) 32 - Alimentación eléctrica a dos fases (RL 44 MZ trifásico) actúa el relé térmico 33 - Motor gira en sentido contrario	Rellenar de combustible o aspirar el agua Regularlos; ver pág. 7 y 10 Comprobar conexiones; sustituir bobina Sustituirla Regularlos o limpiarlos Sustituirlo Sustituirlo Sustituirlo y protegerlo Sustituirlo Comprobarlo Sustituirla Cebear la bomba Sustituirlo Corregir conexión Abrirlas Limpiarlos Sustituir fotorresistencia o caja de control Limpiarla Sustituir hidráulico Desbloquear relé térmico Sustituirlo Desbloquear el relé térmico cuando vuelva la tercera fase Cambiar el conexionado eléctrico del motor
7 impulsos ● ● ● ● ● ● ●	Desprendimiento llama	34 - Cabezal mal regulado 35 - Electrodo de encendido mal regulados o sucios 36 - Registro ventilador mal regulado, demasiado aire 37 - 1ª boquilla demasiado grande (pulsaciones) 38 - 1ª boquilla pequeña (desprendimiento llama) 39 - 1ª boquilla sucia o deformada 40 - Presión bomba no adecuada 41 - Boquilla 1ª llama inadecuada para quemador o caldera 42 - Boquilla 1ª llama defectuosa	Regularlo; ver pág. 7 Fig. (F) Regularlos; ver pág. 7 Fig. (B) o limpiarlos Regularlo Reducir el caudal de la 1ª boquilla Aumentar el caudal de la 1ª boquilla Sustituirla Regularla: entre 10 y 14 bar Ver Tabla boquillas, p.6; reducir boq. 1ª llama Sustituirla
	El quemador no pasa a 2ª llama	43 - Termostato TR no cierra 44 - Caja de control defectuosa 45 - Bobina electroválvula 2ª llama defectuosa 46 - Pistón bloqueado en el grupo válvulas	Regularlo o sustituirlo Sustituirla Sustituirla Sustituir el grupo
	El combustible pasa a 2ª llama y el aire se queda en la 1ª llama.	47 - Presión bomba es baja 48 - 2ª llama del hidráulico defectuosa	Aumentarla Sustituir hidráulico
	El quemador se para al pasar de 1ª a 2ª llama y de 2ª a 1ª. El quemador repite el ciclo de arranque.	49 - Boquilla sucia 50 - Fotorresistencia sucia 51 - Demasiado aire	Sustituirla Limpiarla Reducirlo
	Alimentación de combustible irregular	52 - Comprobar si la causa está en la bomba o en la instalación de alimentación de combustible	Alimentar el quemador desde un depósito situado cerca del quemador
	La bomba está oxidada interiormente	53 - Agua en el depósito	Aspirarla del fondo depósito con una bomba
	La bomba hace ruido; presión pulsante	54 - Entrada de aire en el tubo de aspiración - Depresión demasiado alta (superior a 35 cm Hg): 55 - Desnivel quemador-depósito demasiado grande 56 - Diámetro tubo demasiado pequeño 57 - Filtros en aspiración sucios 58 - Válvulas en aspiración cerradas 59 - Solidificación parafina por baja temperatura.	Apretar los racores Alimentar el quemador con circuito en anillo Aumentarlo Limpiarlos Abrirlas Añadir aditivo al gasóleo
	La bomba está descebada después de un paro prolongado	60 - Tubo de retorno no inmerso en el combustible 61 - Entrada de aire en el tubo de aspiración	Situarlo a misma altura que tubo de aspiración Apretar los racores
	La bomba pierde gasóleo	62 - Fuga por el retén	Sustituir bomba
	Llama con humo - Bacharach oscuro - Bacharach amarillo	63 - Poco aire 64 - Boquilla sucia o desgastada 65 - Filtro boquilla sucio 66 - Presión bomba incorrecta 67 - Espiral estabilizador llama sucia, floja o deformada 68 - Abertura ventilación sala caldera insuficiente 69 - Demasiado aire	Regular cabezal y registro ventilador; pág.7 y 10. Sustituirla Limpiarlo o sustituirlo Regularla: entre 10 y 14 bar Limpiarla, apretarla o sustituirla Agrandarla Regular cabezal y registro ventilador; pág. 7 y 10.
	Cabezal de combustión sucio	70 - Boquilla u orificio boquilla sucio 71 - Ángulo o caudal boquilla inadecuado 72 - Boquilla floja 73 - Impurezas del ambiente en espiral estabilizador 74 - Regulación cabezal incorrecta o poco aire 75 - Longitud tubo de llama inadecuado para la caldera	Sustituirla Ver boquillas recomendadas pág. 6 Apretarla Limpiarla Regularla; ver pág. 10; abrir registro del aire Consultar con el fabricante de la caldera
10 impulsos ● ● ● ● ● ● ● ● ● ●		76 - Error de conexión o avería interna 77 - Presencia de perturbaciones electromagnéticas.	Utilizar el kit protección contra las interferencias radio

APÉNDICE

CONEXIONES ELÉCTRICAS



D3965



NOTE

Las conexiones eléctricas se deben realizar según las normas vigentes en el país de destino y por parte de personal cualificado.

Riello S.p.A. declina toda responsabilidad por modificaciones o conexiones diferentes de aquellos representados en estos esquemas.

Utilizar cables flexibles según norma EN 60 335-1.

Todos los cables que se conecten al quemador deben pasar por los pasacables.

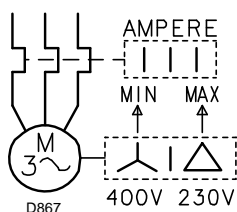
El uso de los pasacables puede realizarse de varias maneras; indicamos como ejemplo el modo siguiente:

RL 34-44 MZ monofásico

- 1- Conector hembra de 7 contactos para alimentación monofásica, termostato/presostato TL
- 2- Conector hembra de 4 contactos para termostato/presostato TR
- 3- Conector hembra de 5 contactos no utilizado
- 4- Conector hembra de dos contactos para accesorio de desbloqueo a distancia de la caja de control
- 5 - 5A Predisposiciones para racores (Perfore si los racores lo necesitan 5A)

RL 44 MZ trifásico

- 1- Conector hembra de 7 contactos para alimentación monofásica, termostato/presostato TL
- 2- Conector hembra de 4 contactos para termostato/presostato TR
- 3- Conector hembra de 5 contactos para alimentación trifásica
- 4- Conector hembra de dos contactos para accesorio de desbloqueo a distancia de la caja de control
- 5 - 5A predisposiciones para racores (Perfore si los racores lo necesitan 5A)



D867

CALIBRACIÓN RELÉ TÉRMICO (RL 44 MZ trifásico)

Sirve para evitar que se quemé el motor por un fuerte aumento de consumo debido a la ausencia de una fase.

- Si el motor es alimentado en estrella, **400 V**, el cursor debe situarse en "MIN".
- Si el motor es alimentado en triángulo, **230 V**, el cursor debe situarse en "MAX".

Si la escala del relé térmico no comprende el consumo nominal indicado del motor a 400 V, la protección está igualmente asegu-

NOTAS

- El modelo RL 44 MZ trifásico sale de fábrica previsto para una alimentación eléctrica de **400V**. Si la alimentación es a **230 V**, cambiar el conexionado del motor (de estrella a triángulo) y la regulación del relé térmico.
- Los quemadores RL 34-44 MZ han sido homologados para funcionar de modo intermitente. Ello significa que deben pararse "por Norma" al menos una vez cada 24 horas para permitir que la caja de control efectúe una verificación de la eficacia al arranque. Normalmente la detención del quemador está asegurada por el termostato/presostato de la caldera. Si no fuese así, debería colocarse en serie con el interruptor IN, un interruptor horario que parase el quemador al menos una vez cada 24 horas.
- Los quemadores RL 34-44 MZ salen de fábrica preparados para el funcionamiento de 2 llamas y por tanto debe conectarse el termostato/presostato TR. En cambio, si se desea que funcione a monollama, sustituir el termostato/presostato TR por un puente entre los bornes T6 y T7 del conector X4.



ATENCIÓN:

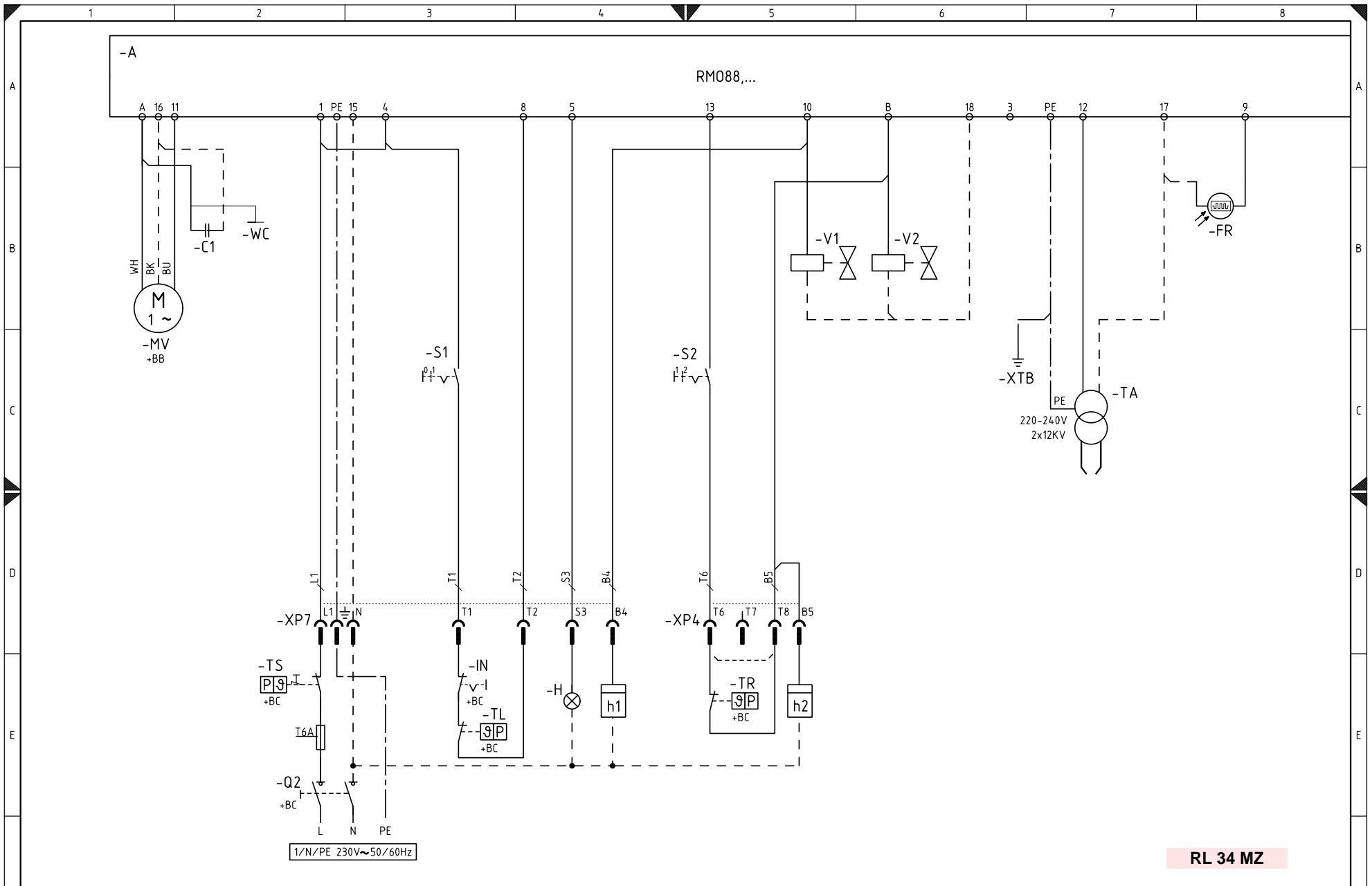
- No invierta Neutro con Fase en la línea de alimentación eléctrica. Tal inversión comportaría una parada en bloque por falta de encendido.
- Sustituya los componentes sólo con recambios originales.

Esquema cuadro eléctrico

1	ÍNDICE
2	Indicación referencias
3	Esquema funcional
4	Conexiones eléctricas a cargo del instalador

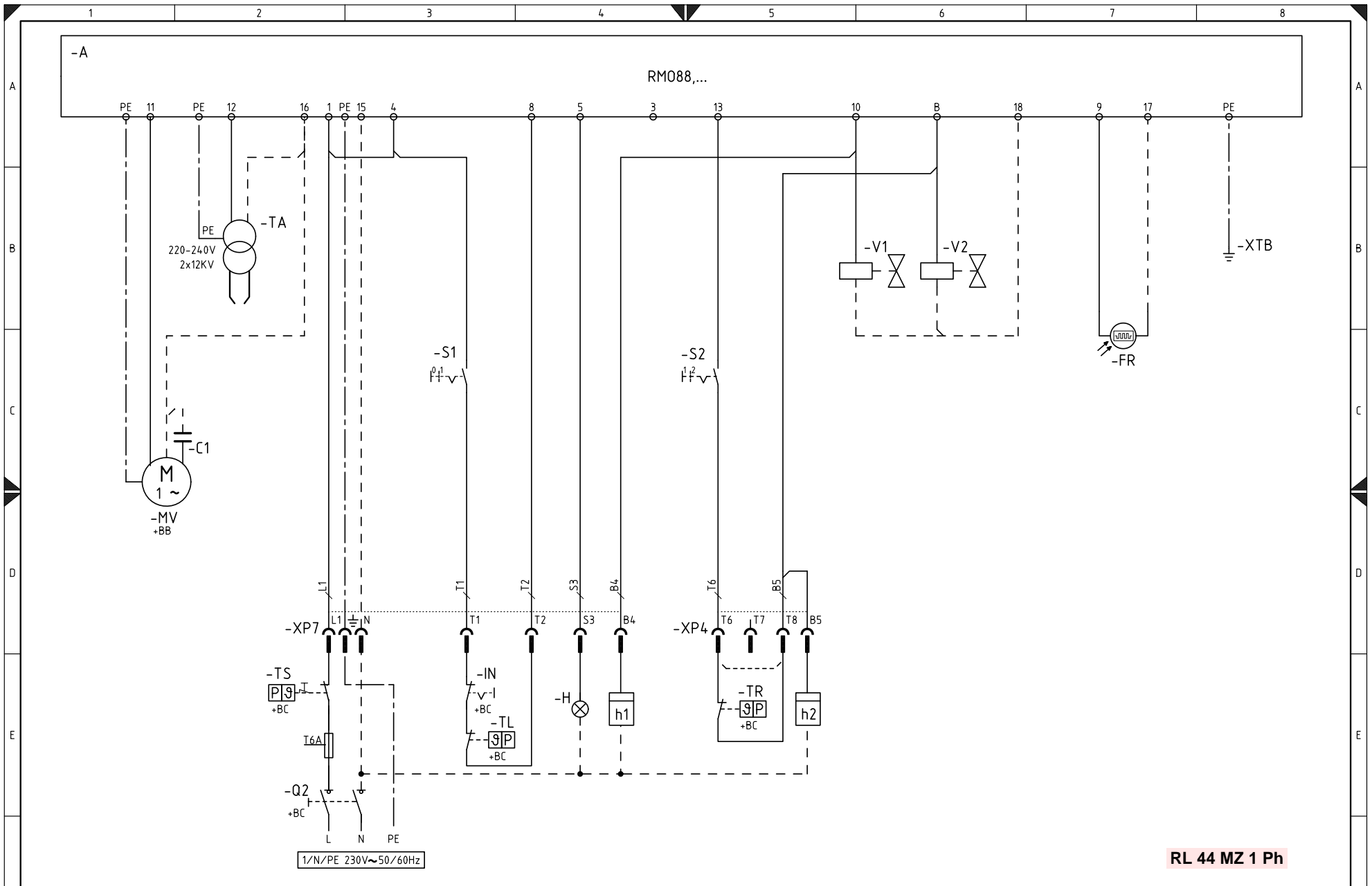
2 Indicación referencias





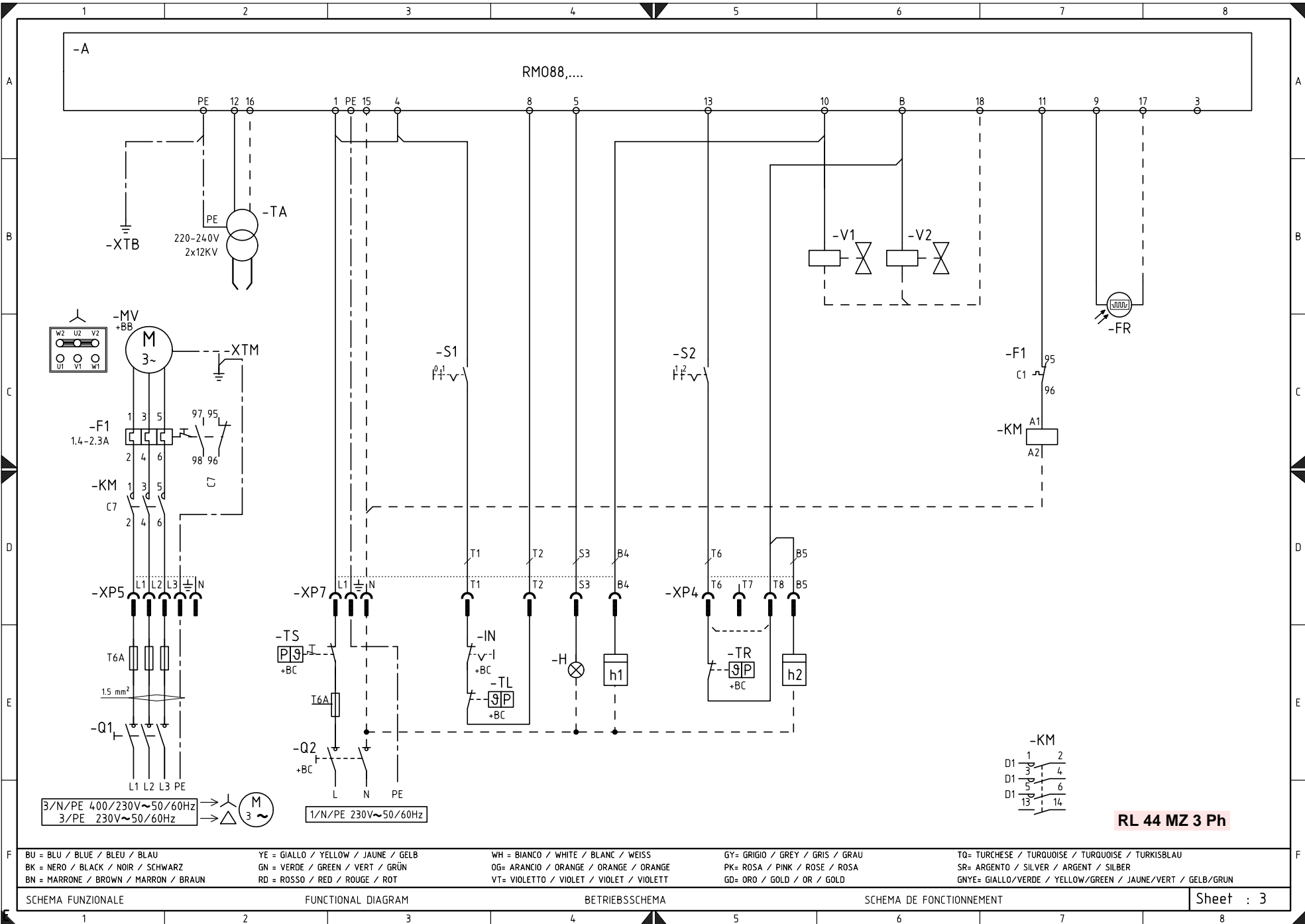
RL 34 MZ

BU = BLU / BLUE / BLEU / BLAU	YE = GIALLO / YELLOW / JAUNE / GELB	WH = BIANCO / WHITE / BLANC / WEISS	GY= GRIGIO / GREY / GRIS / GRAU	TQ= TURCHESE / TURQUOISE / TURKOISE / TURKISBLAU
BK = NERO / BLACK / NOIR / SCHWARZ	GN = VERDE / GREEN / VERT / GRÜN	OG= ARANCIO / ORANGE / ORANGE / ORANGE	PK= ROSA / PINK / ROSE / ROSA	SR= ARGENTO / SILVER / ARGENT / SILBER
BN = MARRONE / BROWN / MARRON / BRAUN	RD = ROSSO / RED / ROUGE / ROT	VT= VIOLETTO / VIOLET / VIOLET / VIOLETT	GD= ORO / GOLD / OR / GOLD	GNYE= GIALLO/VERDE / YELLOW/GREEN / JAUNE/VERT / GELB/GRÜN

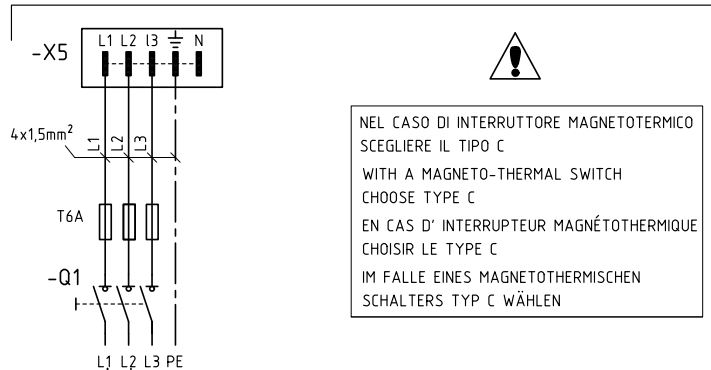


RL 44 MZ 1 Ph

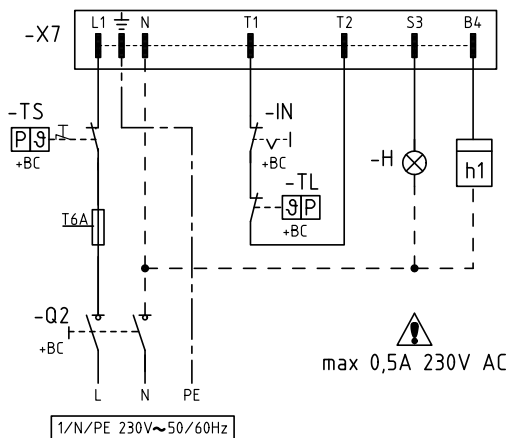
BU = BLU / BLUE / BLEU / BLAU	YE = GIALLO / YELLOW / JAUNE / GELB	WH = BIANCO / WHITE / BLANC / WEISS	GY = GRIGIO / GREY / GRIS / GRAU	TQ= TURCHESE / TURQUOISE / TURQUOISE / TURKISBLAU
BK = NERO / BLACK / NOIR / SCHWARZ	GN = VERDE / GREEN / VERT / GRÜN	OG= ARANCIO / ORANGE / ORANGE / ORANGE	PK= ROSA / PINK / ROSE / ROSA	SR= ARGENTO / SILVER / ARGENT / SILBER
BN = MARRONE / BROWN / MARRON / BRAUN	RD = ROSSO / RED / ROUGE / ROT	VT= VIOLETTO / VIOLET / VIOLET / VIOLETT	GD= ORO / GOLD / OR / GOLD	GNYE= GIALLO/VERDE / YELLOW/GREEN / JAUNE/VERT / GELB/GRÜN



SOLO PER LA VERSIONE TRIFASE / ONLY THREE PHASE VERSION

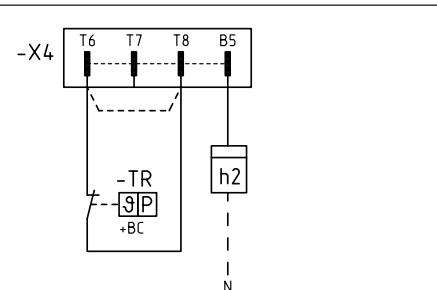


3/N/PE 400/230V~50/60Hz → M
 3/PE 230V~50/60Hz →

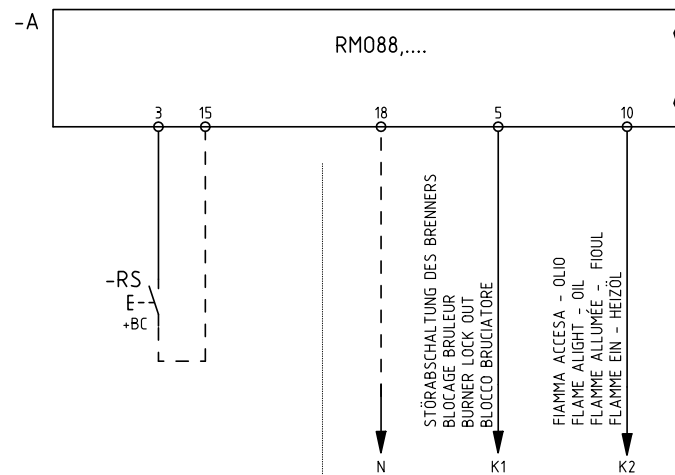


1/N/PE 230V~50/60Hz

SOLO LA VERSIONE BISTADIO / ONLY TWO STAGE VERSION



KITS



PULSANTE DI SBLOCCO A DISTANZA
 REMOTE RESET BUTTON
 BOUTON DE DEBLOCAGE A DISTANCE
 FERNSTÖRUNGSTASTE

USCITA PER KIT RELE' CONTATTI PULITI
 OUTPUT FOR VOLTAGE FREE CONTACTS KIT
 SORTIE POUR KIT RELAIS CONTACTS PROPRES
 AUSGANG FÜR REINKONTAKTE-KIT

max 10A AC1 230V AC
 max 2A AC15 230V AC

BU = BLU / BLUE / BLEU / BLAU	YE = GIALLO / YELLOW / JAUNE / GELB	WH = BIANCO / WHITE / BLANC / WEISS	GY= GRIGIO / GREY / GRIS / GRAU	TQ= TURCHESE / TURQUOISE / TURKOISE / TURKISBLAU
BK = NERO / BLACK / NOIR / SCHWARZ	GN = VERDE / GREEN / VERT / GRÜN	OG= ARANCIO / ORANGE / ORANGE / ORANGE	PK= ROSA / PINK / ROSE / ROSA	SR= ARGENTO / SILVER / ARGENT / SILBER
BN = MARRONE / BROWN / MARRON / BRAUN	RD = ROSSO / RED / ROUGE / ROT	VT= VIOLETTA / VIOLET / VIOLET / VIOLETT	GD= ORO / GOLD / OR / GOLD	GNYE= GIALLO/VERDE / YELLOW/GREEN / JAUNE/VERT / GELB/GRÜN

LEYENDA ESQUEMAS ELÉCTRICOS

A	- Caja de control eléctrica
BB	- Componentes a bordo del quemador
BC	- Componentes a bordo de la caldera
C1	- Condensador
F1	- Relé térmico motor ventilador
FR	- Fotorresistencia
H	- Señalización de bloqueo remoto
IN	- Interruptor parada manual del quemador
h1	- Cuentahoras
h2	- Cuentahoras
KM	- Cuentahoras motor
MV	- Motor ventilador
Q1	- Interruptor seccionador trifásico
Q2	- Interruptor seccionador monofásico
RS	- Pulsador de desbloqueo a distancia del quemador (accesorio)
S1	- Interruptor: quemador encendido-apagado
S2	- Interruptor: primera - segunda llama
TA	- Transformador de encendido
TL	- Termostato/presostato de límite
TR	- Termostato/presostato de regulación
TS	- Termostato/presostato de seguridad
XP4	- Conector hembra de 4 contactos
XP5	- Conector hembra de 5 contactos
XP7	- Conector hembra de 7 contactos
XTB	- Tierra ménsula
XTM	- Tierra grupo ventilador
X4	- Conector macho de 4 contactos
X5	- Conector macho de 5 contactos
X7	- Conector macho de 7 contactos
V1	- Electroválvula de encendido/primer llama
V2	- Electroválvula de segunda llama
WC	- Cable de conexión condensador

DECLARAÇÃO DE CONFORMIDADE A.R. 8/1/2004 & 17/7/2009 – Bélgica

Produtor: RIELLO S.p.A.
I - 37045 Legnago (VR)
Tel. +39.0442.630111
[http:// www.rielloburners.com](http://www.rielloburners.com)

Colocação em circulação por: RIELLO NV
Ninovesteenweg 198
9320 Erembodegem
Tel. (053) 769 030
Fax. (053)789 440
e-mail. info@riello.be
URL. www.riello.be

Certifica-se com o presente documento que a série de aparelhos especificada a seguir está conforme ao modelo do tipo descrito na declaração de conformidade CE, e é produzida e colocada em circulação em conformidade aos pedidos definidos no Decreto-lei de 8 de Janeiro de 2004 e 17 Julho 2009.

Tipo de produto: Queimador de gasóleo

		Modelo	
		972 T	973 T
		RL 34 MZ	RL 44 MZ
VALORES MAX	NOx (mg/kWh)	95	110
	CO (mg/kWh)	8	6

Norma aplicada: EN 267 e A.R. de 8 de Janeiro de 2004 - 17 Julho 2009.

Legnago, 02.01.2012

Ing. G. Conticini
Direção Divisão Queimadores
RIELLO S.p.A.



- O queimador **possui a marcação CE** e está em conformidade aos requisitos essenciais das seguintes Directivas:
 - Directiva Compatibilidade Electromagnética 2004/108/CE;
 - Directiva Baixa Tensão 2006/95/CE;
 - Directiva Máquina 2006/42/CEE;
 - Directiva Desempenhos Energéticos 92/42/CEE.
- O queimador responde ao grau de protecção IP 40 segundo EN 60529.

IDENTIFICAÇÃO

A Chapa de identificação do produto contém o número de matrícula, o modelo e os principais dados técnicos e de rendimentos. A alteração, remoção, a falta da Chapa de identificação não consente a identificação segura do produto e torna dificultosa e/ou perigosa qualquer operação de instalação e de manutenção.

ADVERTÊNCIAS GERAIS

Para garantir uma combustão com uma taxa mínima de emissões poluidoras, as dimensões e o tipo de câmara de combustão do gerador de calor, devem corresponder a valores bem definidos.

Portanto, antes de escolher este tipo de queimador para associá-lo com uma caldeira é aconselhável consultar o Serviço Técnico de Assistência.

O pessoal habilitado deve possuir os requisitos técnicos e profissionais indicados pela lei de 5 de Março de 1990 n° 46. A organização comercial dispõe de uma rede capilar de agências e serviços técnicos cujo pessoal participa periodicamente a cursos de instrução e actualização no Centro de Formação empresarial.

Este queimador deve ser destinado somente ao uso para o qual foi expressamente realizado.

A responsabilidade contratual e extracontratual do fabricante fica isenta em caso de: danos causados a pessoas, animais ou coisas; erros provocados durante a instalação e a calibragem do queimador, um uso impróprio, errado e irrazoável; incumprimento do manual de instrução fornecido junto com o próprio queimador; intervenção de pessoal não habilitado.

INFORMAÇÕES PARA O UTILIZADOR


No caso se verifiquem anomalias no acendimento ou no funcionamento, o queimador efectuará uma “paragem de segurança”, identificada com a sinalização vermelha de bloqueio do queimador. Para restabelecer as condições de arranque, premer o botão de desbloqueio. No momento em que o queimador arranca outra vez, a luz vermelha apaga-se.

Esta operação pode ser repetida por um máximo de 3 vezes. No caso se verifique uma repetição de “paragens de segurança”, é necessário pedir uma intervenção do Serviço Técnico de Assistência.

REGRAS FUNDAMENTAIS DE SEGURANÇA

- É proibido o uso do aparelho por parte de crianças ou pessoas inexperientes.
- É rigorosamente proibido tapar as grelhas de aspiração ou de dissipação e a abertura de ventilação do local onde está instalado o aparelho com farrapos, papéis ou outros farrapos, papéis ou outro tipo de material.
- O pessoal não autorizado está proibido de efectuar qualquer tipo de reparação do aparelho.
- É perigoso puxar ou torcer os cabos eléctricos.
- É proibido efectuar qualquer operação de limpeza antes de ter desligado o aparelho da rede de alimentação eléctrica.
- Não efectuar limpezas do queimador e tampouco nas suas peças com substâncias facilmente inflamáveis (ex. gasolina, álcool, etc.).
A limpeza da capa deve ser efectuada somente com água ensaboada.
- Não apoiar objectos sobre o queimador.
- Não deixar contentores e substâncias inflamáveis no local onde está instalado o aparelho.

Em algumas partes do manual são utilizados os símbolos a seguir:

 **ATENÇÃO** = para acções que requerem um cuidado especial e uma preparação adequada.

 **PROIBIDO** = para acções que **NÃO DEVEM** absolutamente ser efectuadas.

CARACTERÍSTICAS TÉCNICAS	página 2
Versões construtivas	2
Acessórios	2
Descrição do queimador	3
Embalagem - Peso	3
Dimensões	3
Forma de fornecimento	3
Campos de trabalho	4
Caldeira de ensaio	4
INSTALAÇÃO	5
Posição de funcionamento	5
Placa da caldeira	5
Comprimento do tubo de fogo	5
Fixação do queimador à caldeira	5
Seleção das boquilhas para 1ª e 2ª chama	6
Montagem das boquilhas	7
Regulação do cabeçal de combustão	8
Instalação hidráulica	9
Bomba	10
Alimentação da bomba	10
Regulação do queimador	11
Funcionamento do queimador	12
Controlo final	13
Manutenção	13
Diagnóstico programa de arranque	15
Desbloqueio do equipamento e utilização do diagnóstico	15
Anomalia - Causa Provável - Solução	16
APÊNDICE	17
Ligação eléctricas	17
Esquema quadro eléctrico	18

Nota

As figuras mencionadas no texto identificam-se da seguinte forma:
1)(A) = Pormenor 1 da figura A, na mesma página que o texto;
1)(A)p.3 = Pormenor 1 da figura A, página 3.

NOTA

Em conformidade com a Directiva sobre Rendimento 92/42/CEE, a aplicação do na caldeira, a sua regulação e prova devem ser realizadas segundo as indicações contidas no Manual de Instruções da Caldeira, incluindo o controlo de concentração de CO e CO₂ nos gases da combustão, a sua temperatura e a temperatura média da água da caldeira.

INTRODUÇÃO

O manual de instrução fornecido junto com o queimador:

- é parte integrante e essencial do produto e não deve ser separado do mesmo; portanto, deve ser conservado com cuidado caso se necessite consultá-lo, e deve acompanhar o queimador se este for cedido a um outro proprietário ou usuário, ou em caso de transferência a um outro estabelecimento. Em caso de dano ou perda, de ser pedido um outro exemplar ao Serviço de Assistência Técnica **RIELLO** de Zona;
- foi realizado para ser utilizado por pessoal qualificado;
- fornece importantes indicações e advertências sobre a segurança na instalação, a colocação em funcionamento, o uso e a manutenção do queimador.

ENTREGA DA INSTALAÇÃO E DO MANUAL DE INSTRUÇÕES

Por ocasião da entrega da instalação, é necessário que:

- O manual de instruções seja entregue pelo fornecedor da instalação ao usuário, com a advertência que este seja conservado no local de instalação do gerador de calor.
- No manual de instruções estão indicados:
 - o número de matrícula do queimador;

.....

- o endereço e o número de telefone do Centro de Assistência mais próximo;

.....
.....
.....

- O fornecedor da instalação deve informar o usuário atentamente sobre:

- o uso da instalação,
- os eventuais posteriores testes que forem necessários antes da activação da instalação,
- a manutenção e a necessidade de submeter a instalação pelo menos uma vez por ano ao controlo de um funcionário do Construtor ou por um outro técnico especializado.

Para garantir um controlo periódico, **RIELLO** recomenda-se a estipulação de um Contrato de Manutenção.

CARACTERÍSTICAS TÉCNICAS

MODELO			RL 34 MZ	RL 44 MZ	RL 44 MZ
TIPO			972T	973T	973T
POTÊNCIA (1)	2ª chama	kW	154 - 395	235 - 485	235 - 485
CAUDAL (1)	2ª chama	Mcal/h	132 - 340	204 - 418	204 - 418
		kg/h	13 - 33,6	20 - 41	20 - 41
	1ª chama	kW	97 - 154	155 - 235	155 - 235
		Mcal/h	83 - 133	133 - 204	133 - 204
		kg/h	8,3 - 13	13 - 20	13 - 20
COMBUSTIVEL			GASOLEO		
- poder calorífico inferior		kWh/kg	11,8		
		Mcal/kg	10,2 (10.200 kcal/kg)		
- densidade		kg/dm³	0,82 - 0,85		
- viscosidade a 20 °C		mm²/s max	6 (1,5 °E - 6 cSt)		
FUNCIONAMENTO			<ul style="list-style-type: none"> Intermitente (mín. 1 paragem em 24 horas). 2 chamas (2ª e 1ª) ou 1 chama (tudo-nada). 		
BOQUILHAS		número	2		
			Caldeiras: de água, a vapor e óleo térmico		
TEMPERATURA AMBIENTE		°C	0 - 40		
TEMPERATURA AR COMBURENTE		°C max	60		
		V	230 ~ +/-10%		230 - 400 com neutro ~ +/-10%
		Hz	50/60 - monofásica		50/60 - trifásica
MOTOR ELECTRICO		rpm	2800	2800	2800
		W	300	420	450
		V	220 - 240	220 - 240	220/240 - 380/415
		A	2,4	3,0	2,0 - 1,2
CONDENSADOR MOTOR		µF/V	12,5/450	12,5/450	
TRANSFORMADOR DE ACENDIMENTO		V1 - V2	230 V - 2 x 12 kV		
		I1 - I2	0,2 A - 30 mA		
BOMBA	Caudal (a 12 bar)	kg/h	45	67	67
	Pressões limite	bar	7 - 14	10 - 20	10 - 20
	Temp. combustível	°C max	60	60	60
POTÊNCIA ELÉCTRICA ABSORVIDA		W max	600	700	750
NIVEL SONORO (2)			68	70	70
POTÊNCIA ACÚSTICA		dB(A)	79	81	81

(1) Condições de referência: Temperatura ambiente 20°C - Pressão barométrica 1013 mbar - Altitude acima do nível do mar 0 metros.

(2) Teste das emissões acústicas realizadas segundo a normativa EN 15036-1 com exactidão de medida $\sigma = \pm 1,5$ dB, no laboratório de combustão do construtor com queimador funcionando em caldeira de ensaio à máxima potência.

VERSÕES CONSTRUTIVAS

Modelo	Código	Alimentação eléctrica	Comprimento do tubo de fogo mm
RL 34 MZ	3470200 - 3470210	monofásica	216
	3470201 - 3470211	monofásica	351
RL 44 MZ	3470300 - 3470310	monofásica	216
	3470301 - 3470311	monofásica	351
	3470330 - 3470340	trifásica	216
	3470331 - 3470341	trifásica	351

ACESSÓRIOS (por encomenda):

• KIT CABEÇAL COMPRIDO

Queimador	RL 34 MZ	RL 44 MZ
	Código 3010426	Código 3010425

• KIT CONTACTOS LIMPOS	Código 3010419
•	Código 3010453
• KIT CONTADOR DE HORAS	Código 3010450
• KIT INTERRUPTOR DIFERENCIAL	Código 3010448
• KIT No caso de instalação do queimador em ambientes especiais sujeitos a rádio-interferências (emissão de sinais superiores a 10 V/m) devido a presença de INVERTER ou em aplicações onde os comprimentos das conexões do termóstato superem os 20 metros, está disponível um kit de protecção como interface entre a aparelhagem e o queimador.	Código 3010386

• ELIMINADOR DE GÁS

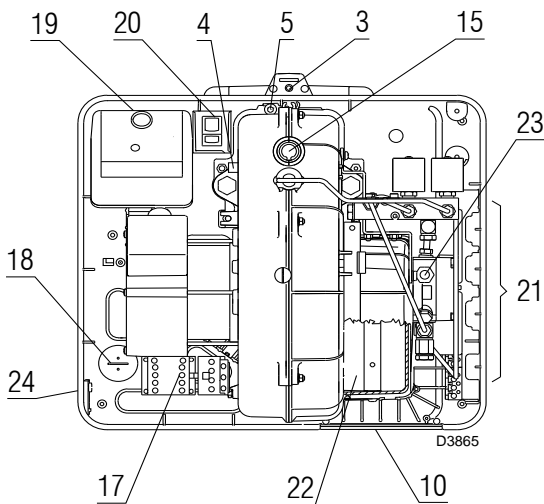
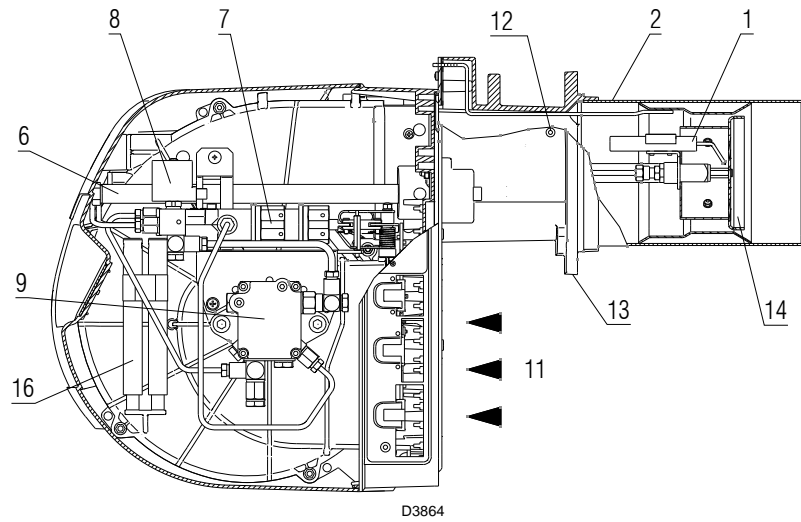
É possível que no gasóleo aspirado pela bomba haja ar proveniente do gasóleo submetido a depressão ou de qualquer isolamento não perfeitamente estanque. Nos sistemas bi-tubo, o ar volta para a cisterna pelo tubo de retorno; nos sistemas mono-tubo, pelo contrario, o ar fica em circulação, provocando variações de pressão na bomba e mau funcionamento do queimador. Para resolver este problema, recomendamos, para os sistema mono-tubo, de instalar um eliminador de gás perto do queimador. Este, pode ser fornecido em duas versões:

COD. 3010054 sem filtro

COD. 3010055 com filtro

Características do eliminador de gás

- Caudal queimador : 80 kg/h max
- Pressão gasóleo : 0,7 bar max
- Temperatura ambiente : 40 °C max
- Temperatura gasóleo : 40 °C max
- Conectores de conexão : 1/4 polegar



DESCRIÇÃO DO QUEIMADOR (A)

- 1 Electrodo de acendimento
- 2 Cabeçal de combustão
- 3 Parafuso de regulação do cabeçal de combustão
- 4 Segurança contra falha de chama através de fotorresistência
- 5 Parafuso de fixação do ventilador à flange
- 6 Guias para abertura do queimador e inspeção do cabeçal de combustão
- 7 Cilindro hidráulico para regular o registo de ar na posição de 1ª e 2ª chama.
Quando o queimador está parado, o registo do ar está completamente fechado para reduzir ao mínimo a dispersão térmica da caldeira devido à tiragem que toma ar da boca de aspiração do ventilador.
- 8 Grupo de válvulas 1ª e 2ª chama
- 9 Bomba
- 10 Placa predisposta para obter n. 4 orifícios, úteis para a passagem dos tubos flexíveis e cabos eléctricos.
- 11 Entrada de ar no ventilador
- 12 Tomada de pressão do ventilador
- 13 Flange para fixação à caldeira
- 14 Disco estabilizador da chama
- 15 Visor da chama
- 16 Prolongadores guias 6)
- 17 Contactor motor e relé térmico com botão de desbloqueio (RL 44 MZ trifásico)
- 18 Condensador motor (RL 34 MZ - RL 44 MZ monofásico)
- 19 Caixa de controlo com piloto luminoso de bloqueio e botão de desbloqueio
- 20 Dois interruptores eléctricos:
- um de "arranque-paragem" do queimador
- um para "1ª chama - 2ª chama".
- 21 Tomadas para a ligação eléctrica
- 22 Registo de ar
- 23 Regulação de pressão da bomba
- 24 Placa predisposta para obter n. 2 orifícios, úteis para a passagem dos tubos flexíveis

Existem duas possibilidades de bloqueio do queimador:

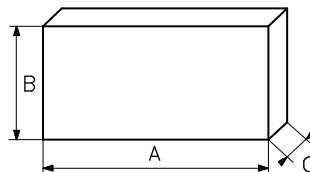
Bloqueio da caixa de controlo: Ao ficar aceso (Led vermelho) o botão da caixa 19)(A) indica que o queimador está bloqueado.

Para desbloquear, premir o botão por um período de tempo compreendido entre 1 e 3 segundos.

Bloqueio do motor (RL 44 trifásico) Para desbloquear, carregar no botão do relé térmico 17)(A).

(A)

mm	A	B	C	kg
RL 34 MZ	1000	500	485	32
RL 44 MZ	1000	500	485	33



EMBALAGEM - PESO (B) - Medidas aproximadas

Os queimadores são fornecidos em embalagem de cartão, cujas dimensões são especificadas na tabela (B).

O peso do queimador completo com a embalagem é indicado na tabela (B).

DIMENSÕES MÁXIMAS (C) - Medidas aproximadas

As dimensões máximas do queimador são indicadas em (C).

Ter em conta que para inspeccionar o cabeçal de combustão, o queimador deve ser aberto deslocando a parte posterior pelas guias.

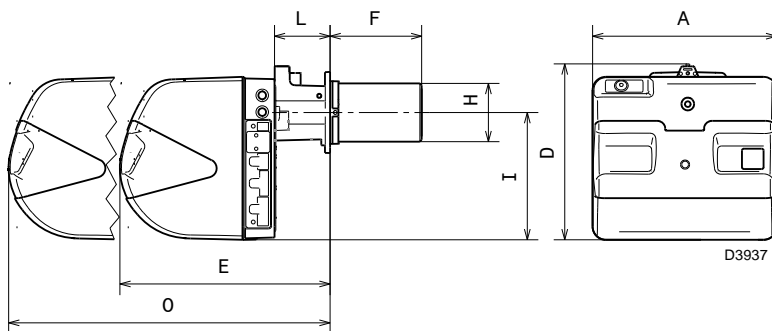
A dimensão do queimador aberto, sem coberta, é indicada pela quota O.

FORMA DE FORNECIMENTO

- 2 - Tubos flexíveis
- 2 - Juntas para tubos flexíveis
- 2 - Nipples para tubos flexíveis
- 1 - Junta isolante
- 2 - Prolongadores 16)(A) para guias 6)(A) (só em modelos com cabeçal de 351 mm)
- 4 - Parafusos para fixação do queimador à caldeira M 8 x 25
- 2 - Fichas para ligação eléctrica (RL 34 MZ e RL 44 MZ monofásica)
- 3 - Fichas para ligação eléctrica (RL 44 MZ trifásica)
- 1 - Instruções
- 1 - Lista de peças de substituição

(B)

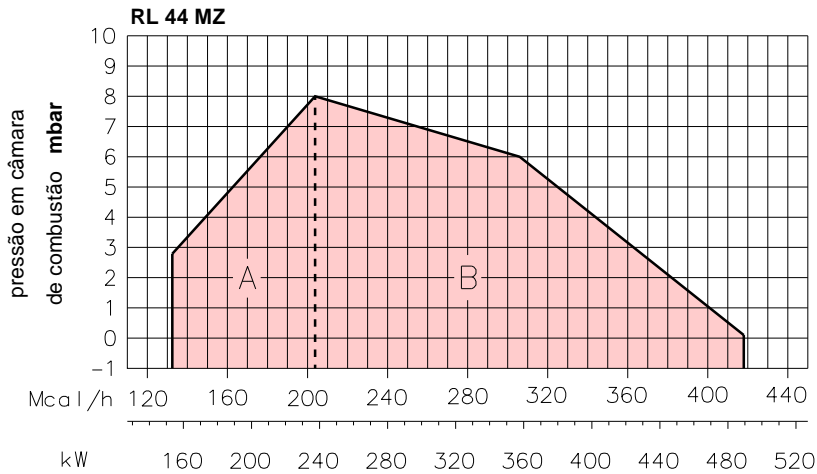
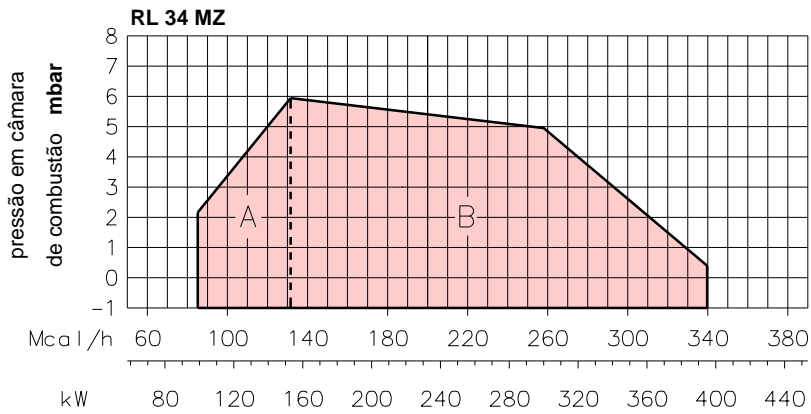
D88



mm	A	D	E	F ⁽¹⁾	H	P	L	O ⁽¹⁾
RL 34 MZ	442	422	508	216 - 351	140	305	138	780 - 915
RL 44 MZ	442	422	508	216 - 351	152	305	138	780 - 915

(1) tubo de fogo: curto-longo

(C)



CAMPOS DE TRABALHO (A)

Os queimadores RL 34 MZ - RL 44 MZ podem funcionar em dois modos: mono-chama e bi-chama.

O **CAUDAL na 1ª chama** deve ser seleccionado dentro da zona A do gráfico indicado na margem.

O **CAUDAL do 2º estágio** deve ser escolhido dentro da área B. Esta área fornece o caudal máximo do queimador em função da pressão em câmara de combustão.

O ponto de funcionamento pode ser encontrado traçando uma vertical do caudal desejado e ma horizontal da pressão correspondente em câmara de combustão. O ponto de encontro das duas rectas representa o ponto de funcionamento que deve ficar dentro da área B.

Atenção:

O CÂMPO DE TRABALHO foi calculado considerando uma temperatura ambiente de 20°C, uma pressão barométrica de 1013 mbar (aprox. 0 metros acima do nível do mar) e com o cabeçal de combustão regulado conforme se indica na página 7.

CALDEIRA DE ENSAIO (B)

Os gráficos obtiveram-se a partir de caldeiras de ensaio especiais, conforme o método indicado na norma EN 267.

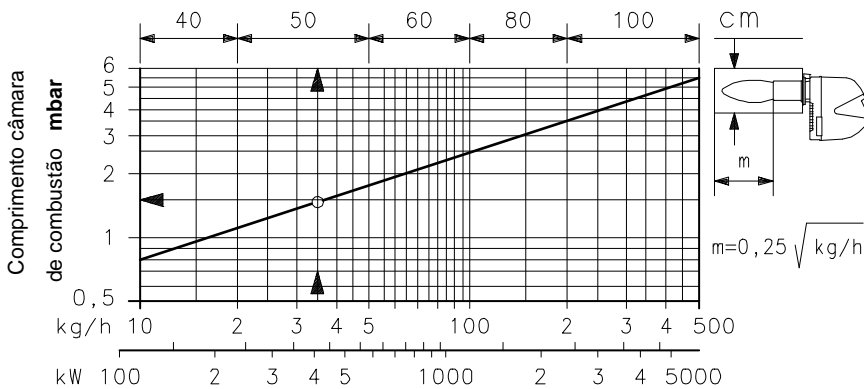
Na figura (B) é indicado o diâmetro e o comprimento da câmara de combustão da caldeira de ensaio.

Exemplo: Caudal 35 kg/hora:
diâmetro = 50 cm; comprimento = 1,5 m.

Se o queimador é instalado numa caldeira comercial com uma câmara de combustão muito mais pequena, deve ser feito um ensaio antes.

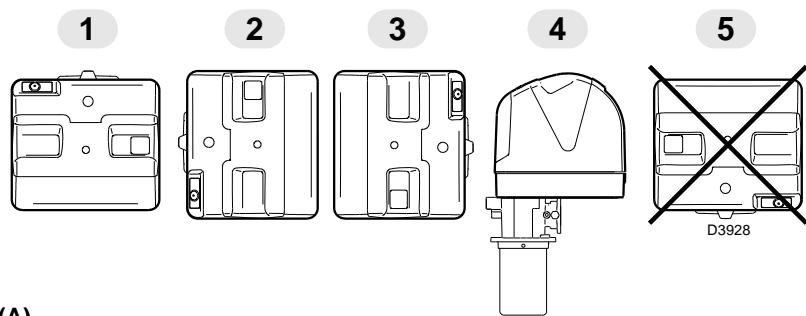
(A)

D3866



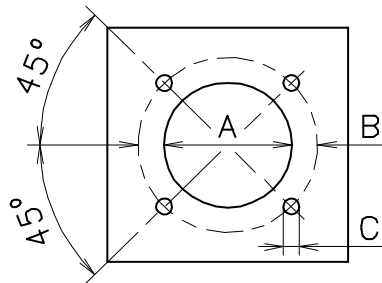
(B)

D454



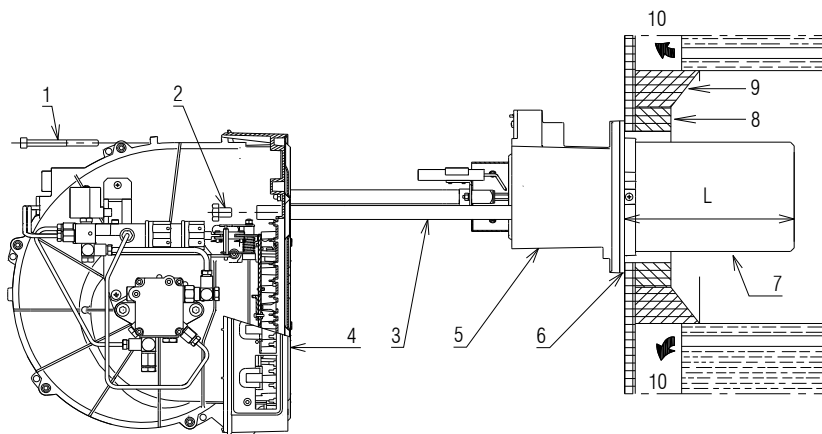
(A)

mm	A	B	C
RL 34 MZ	160	224	M 8
RL 44 MZ	160	224	M 8



D455

(B)



D3867

(C)

INSTALAÇÃO

⚠ A INSTALAÇÃO DO QUEIMADOR DEVE SER REALIZADA EM CONFORMIDADE COM AS LEIS E NORMAS LOCAIS.

POSIÇÃO DE FUNCIONAMENTO (A)

⚠ O queimador está predisposto exclusivamente para o funcionamento nas posições **1, 2, 3 e 4**.

A instalação **1** é preferível pois é a única que permite a manutenção como descrita a seguir neste manual. As instalações **2, 3 e 4** permitem o funcionamento mas tornam menos acessíveis as operações de manutenção e de inspecção do cabeçal de combustão pág. 14.

⊘ Qualquer outro posicionamento pode comprometer o bom funcionamento do aparelho.

A instalação **5** é proibida por motivos de segurança.

PLACA DA CALDEIRA (B)

Perfurar a placa de fechamento da câmara de combustão como mostrado em (B). A posição dos orifícios roscados pode ser marcada utilizando a junta isolante que é fornecida com o queimador.

COMPRIENTO DO TUBO DE FOGO (C)

O comprimento do tubo de fogo deve ser escolhido de acordo com as indicações do fabricante da caldeira e, em qualquer caso, deve ser maior que a espessura da porta da caldeira completa, com o material refractário incluído. Os comprimentos, L (mm), disponíveis são:

Tubo fogo 7):	RL 34 MZ	RL 44 MZ
• curto	216	216
• comprido	351	351

Para as caldeiras com passagens de fumos dianteiras 10) ou com câmara de inversão da chama, colocar uma protecção de material refractário 8) entre o refractário da caldeira 9) e o tubo de fogo 7).

Esta protecção deve permitir que o tubo de fogo se desloque.

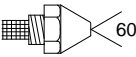
Nas caldeiras com a frente refrigerada por água, não é necessário o revestimento refractário 8)-9)(B), excepto se o fabricante da caldeira assim o indicar.

FIXAÇÃO DO QUEIMADOR À CALDEIRA (C)

Desmontar o grupo do tubo de fogo 7) e a mangueira 5) do queimador 4):

- Tirar os parafusos 2) das duas guias 3).
- Tirar o parafuso 1) e posicionar o queimador nas guias 3).

Fixar o grupo 5) e 7)(C) à placa da caldeira interpondo a protecção isolante 6)(C) fornecida junto. Utilizar os 4 parafusos fornecidos, depois de ter protegido a rosca com um produto anti-bloqueio. A união do queimador à caldeira deve ser hermética.

 60	GPH	kg/h ⁽¹⁾			kW 12 bar	Boquilhas recomendadas
		10 bar	12 bar	14 bar		
RL 34 MZ	1,00	3,9	4,3	4,7	51,0	DANFOSS 60° H DELAVAN 60° A MONARCH 60° PL HAGO 60° P
	1,25	4,8	5,4	5,8	64,0	
	1,50	5,8	6,5	7,0	77,0	
	1,75	6,8	7,5	8,2	89,0	
	2,00	7,7	8,5	9,2	100,8	
	2,25	8,6	9,5	10,4	112,7	
	2,50	9,6	10,6	11,5	125,7	
	2,75	10,7	11,8	12,8	139,3	
	3,00	11,5	12,7	13,8	150,6	
	3,25	12,4	13,7	14,9	162,5	
	3,50	13,5	14,8	16,1	175,5	
	4,00	15,6	17,2	18,7	203,5	
4,50	17,3	19,1	20,7	226,5		
RL 44 MZ	1,50	5,8	6,5	7,0	77,0	DELAVAN 45° A MONARCH 45° PL-PLP HAGO 60° P
	1,75	6,8	7,5	8,2	89,0	
	2,00	7,7	8,5	9,2	100,8	
	2,25	8,6	9,5	10,4	112,7	
	2,50	9,6	10,6	11,5	125,7	
	2,75	10,7	11,8	12,8	139,3	
	3,00	11,5	12,7	13,8	150,6	
	3,50	13,5	14,8	16,1	175,5	
	4,00	15,4	17,0	18,4	201,6	
	4,50	17,3	19,1	20,7	226,5	
	5,00	19,2	21,2	23,0	251,4	
	5,50	21,1	23,3	25,3	276,3	
6,00	23,1	25,5	27,7	302,4		

(1) gasóleo: densidade 0,84 kg/dm³
viscosidade 4,2 cSt/20 °C
temperatura 10 °C

(A)

SELECÇÃO DAS BOQUILHAS PARA 1ª E 2ª CHAMA

O queimador está de acordo com as solicitações de emissão de gases previstas pela norma EN 267.

Para garantir a constância das emissões de gases é necessário utilizar as boquilhas recomendadas e/ou alternativas indicadas pela Riello nas instruções e advertências.

⚠ Atenção: Recomenda-se substituir anualmente as boquilhas durante a manutenção periódica.

⚠ Cuidado: A utilização de boquilhas diferentes das prescritas pela Riello S.p.A. e uma manutenção periódica incorrecta podem implicar no não cumprimento dos limites de emissão previstos pelas normativas vigentes e, em casos extremos, em risco potencial de danos a coisas ou a pessoas. Entende-se que os danos causados pelo incumprimento das prescrições contidas neste manual não serão, de nenhum modo, imputados à Empresa fabricante.

As duas boquilhas devem ser escolhidas entre as que figuram na tabela (A).

A primeira boquilha determina o caudal do queimador na 1ª chama.

A segunda boquilha funciona em conjunto com a primeira e, as duas, determinam o caudal do queimador em 2ª chama.

Os caudais da 1ª e 2ª chama devem estar compreendidos entre os valores indicados na pág. 2.

Utilizar de preferéncia boquilhas com ângulo de pulverização de 60° e pressão a 12 bar.

Geralmente, as duas boquilhas são do mesmo caudal, mas, se necessário, a boquilha da 1ª chama pode ter:

- um caudal inferior a 50%, relativamente ao caudal total, quando se deseja reduzir um pouco a contrapressão no momento do acendimento;
- um caudal superior a 50% do caudal total, quando se deseja melhorar a combustão em 1ª chama.

Exemplo com RL 34 MZ

Potência caldeira = 270 kW - rendimento 90%

Potência no queimador =

$$270 : 0,9 = 300 \text{ kW}$$

$$300 : 2 = 150 \text{ kW por boquilha}$$

isto é, são necessárias duas boquilhas iguais de 60° e 12 bar de pressão:

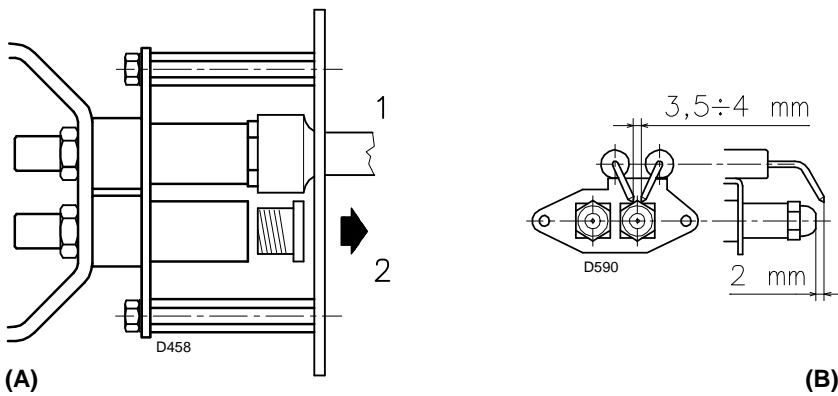
$$1^\circ = 3,00 \text{ GPH} - 2^\circ = 3,00 \text{ GPH},$$

ou então duas boquilhas diferentes:

$$1^\circ = 2,50 \text{ GPH} - 2^\circ = 3,50 \text{ GPH},$$

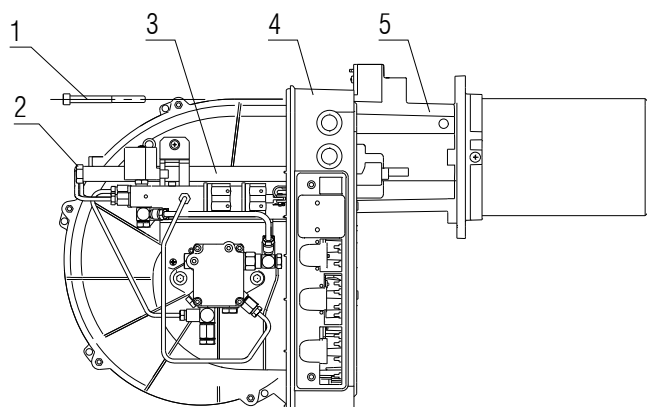
ou:

$$1^\circ = 3,50 \text{ GPH} - 2^\circ = 2,50 \text{ GPH}.$$



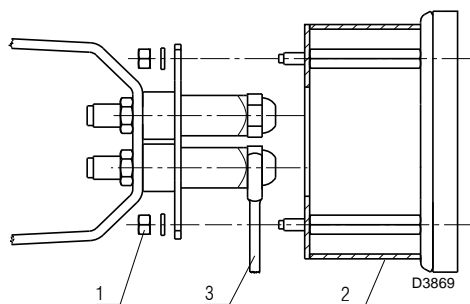
(A)

(B)



(C)

D3868



(D)

D3869

MONTAGEM DAS BOQUILHAS

Neste ponto da instalação, o queimador está ainda separado do tubo de fogo; é portanto possível montar as duas boquilhas com a chave de tubo 1)(A) (de 16 mm), depois de ter retirado as tampas em plástico 2)(A), passando pela abertura central do disco de estabilidade chama. Não utilizar produtos estanques tais como juntas, fitas adesivas ou silicone. Ter o cuidado de não danificar ou riscar o assento de estanquidade da boquilha. O aperto da boquilha deve ser forte, mas sem chegar ao par máximo que a chave permite.

A boquilha para a 1ª chama de funcionamento é a que se encontra por baixo dos eléctrodos de acendimento, Fig. (B).

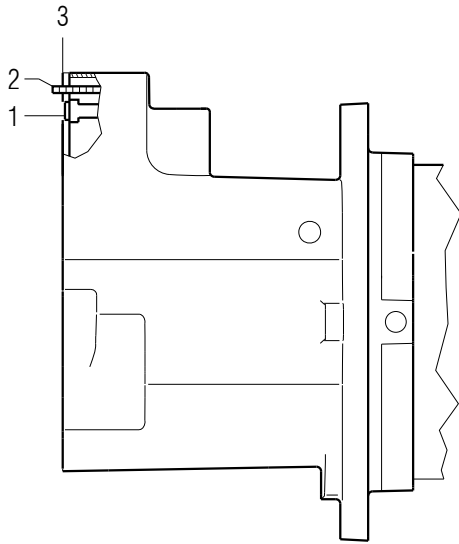
Verificar que os eléctrodos estejam posicionados como se indica na Fig. (B).

Remontar, em fim, o queimador 4)(C) nas guias 3) e fazê-lo deslizar até a flange 5), mantendo-o em posição um pouco elevada para evitar que o disco de estabilidade da chama entre em contacto com o tubo de fogo.

Apertar os parafusos 2) das guias 3) e o parafuso 1) que fixa o queimador à flange.

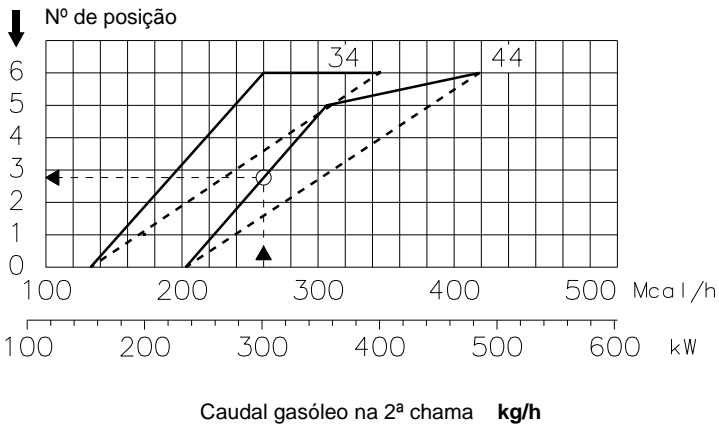
Caso seja necessário substituir uma das boquilhas com o queimador já instalado na caldeira, proceder da seguinte forma:

- Deslocar o queimador sobre as guias, tal como indicado na fig. (C)p.5.
- Tirar as porcas 1)(D) e o grupo difusor de ar-hélice 2)
- Substituir a(s) boquilha(s) com a chave 3)(D).



(A)

D3910



(B)

D3870

REGULAÇÃO DO CABEÇAL DE COMBUSTÃO

Neste ponto da instalação, o tubo de fogo e a mangueira estão fixados à caldeira como indicado na fig. (C)p. 5. A regulação do cabeçal de combustão é portanto particularmente acessível, dependendo unicamente do caudal do combustível do queimador na 2ª chama, isto é, da soma dos caudais das duas boquilhas seleccionadas na pág. 6.

Rodar o parafuso 1)(A) até que a marca de posição na lâmina 2)(A) e o plano da placa 3)(A) coincidam.

Exemplo:

RL 44 MZ com duas boquilhas de 3,00 GPH e pressão de 12 bar na bomba.

Na tabela (A) da pág. 6 encontrar o caudal das duas boquilhas de 3,00 GPH:

$12,7 + 12,7 = 25,4 \text{ kg/h}$
(correspondentes a 300 kW).

O diagrama (B) indica que, com um caudal de 25,4 kg/h, o queimador RL 44 MZ precisa de um regulação do cabeçal de combustão na marca 3 aproxim.

Nota

Se a pressão na câmara corresponder a 0 mbar, a regulação do ar deve ser efectuada com referência à linha tracejada do diagrama (B).

Terminada a regulação do cabeçal, remontar o queimador 4)(C)p.5 nas guias 3)(C)p.5 a uma distância de aprox. 100 mm da mangueira 5)(C)p.5, inserir os cabos dos eléctrodos e em fim fazer deslizar o queimador até a mangueira. Voltar a colocar os parafusos 2)(C)p.5 nas guias 3)(C)p.5.

Fixar o queimador à mangueira com o parafuso 1)(C)p.5.

Atenção

Ao fechar o queimador nas duas guias, é oportuno puxar delicadamente para o exterior os cabos de alta tensão, até que fiquem um pouco tensos.

INSTALAÇÃO HIDRÁULICA

ALIMENTAÇÃO DE COMBUSTÍVEL

Alimentação com dois tubos (A)

O queimador está provido de uma bomba auto-ferrante que é capaz de se auto-alimentar, dentro dos limites que figuram na tabela que está na margem.

Depósito mais alto que o queimador A

A cota P não deve ser superior a 10 metros para não submeter o retentor da bomba a uma pressão excessiva; e a cota V não deve ser superior a 4 metros para que a bomba se possa auto-ferrar, inclusive com o depósito quase vazio.

Depósito mais baixo que o queimador B

Não se deve ultrapassar uma depressão na bomba de 0,45 bar (35 cm Hg). Com uma depressão superior parte do combustível gaseificar-se-ia, a bomba faria ruído e encurtar-se-ia a vida da mesma.

É aconselhável que o tubo de retorno e o de aspiração entrem no queimador à mesma altura; desta forma será mais difícil que se produza o desferrar do tubo de aspiração.

Alimentação em anel

A alimentação em anel é formada por um tubo que sai do depósito e retorna a este, com uma bomba auxiliar que faz circular o combustível à pressão. Uma derivação do anel alimenta o queimador. Este sistema é útil quando a bomba do queimador não é capaz de se auto-alimentar porque a distância ou o desnível em relação ao depósito são superiores aos valores indicados na Tabela.

Legenda (A)

H = Desnível bomba-válvula de fundo

L = Comprimento da tubagem

Ø = Diâmetro interior do tubo

1 = Queimador

2 = Bomba

3 = Filtro

4 = Válvula de corte

5 = Tubo de aspiração

6 = Válvula de pé

7 = Válvula manual de fecho rápido, com comando à distância (somente em Itália)

8 = Eletroválvula de fecho (somente em Itália)

9 = Tubo de retorno

10 = Válvula de retenção (somente em Itália)

LIGAÇÕES HIDRÁULICAS (B)

As bombas têm um by-pass que comunica o retorno com a aspiração. Estão instaladas no queimador, com o by-pass fechado através do parafuso 6)(B)p.11.

Assim, é necessário ligar os dois tubos à bomba.

Se a bomba funcionar com o retorno fechado e o parafuso do by-pass colocado, avaria-se de imediato.

Retirar os tampões das ligações de aspiração e de retorno da bomba.

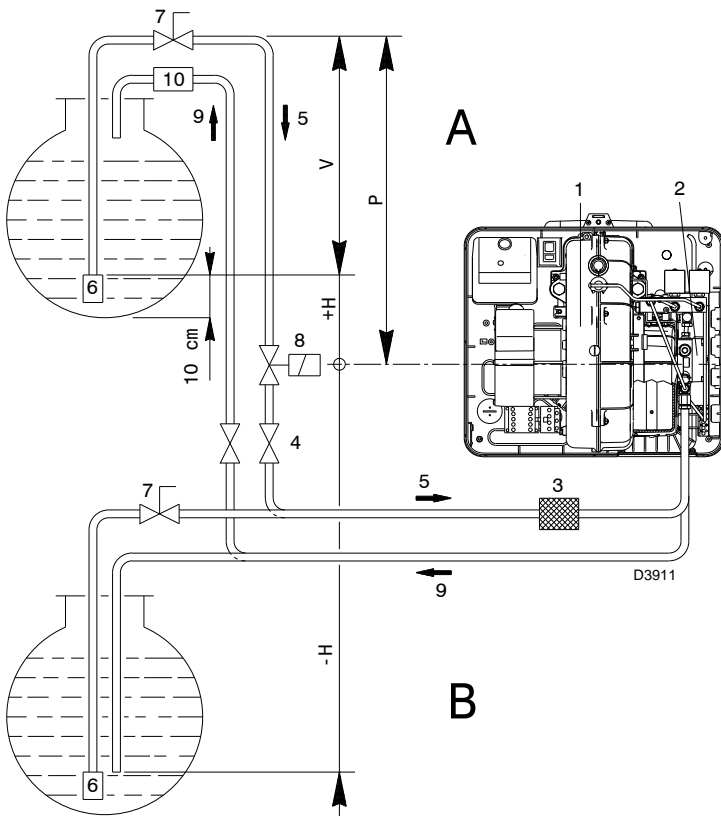
No seu lugar rosar os tubos flexíveis com as juntas que são fornecidas.

Ao montar os tubos flexíveis, estes não devem ser submetidos a torções nem a alongamentos.

Fazer passar os tubos flexíveis através dos orifícios da placa na parte esquerda 5)(B), removendo o delgado diafragma que fecha os dois orifícios, ou segundo quanto indicado a seguir: retirar os parafusos 1), abrir a placa em duas partes 2) e 3) e recortar a membrana que cobre os orifícios 4).

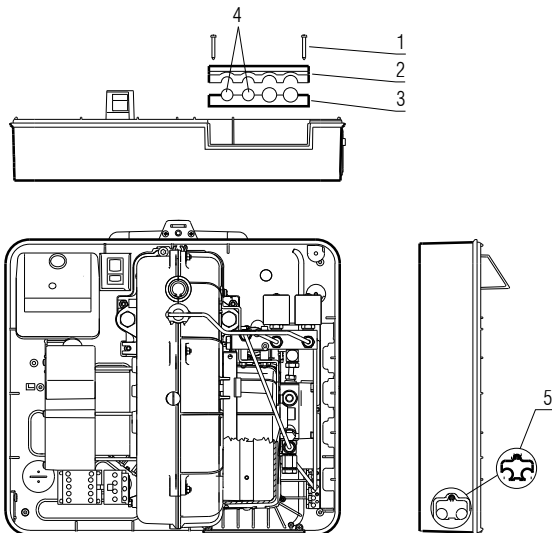
Colocar os tubos de forma a que não possam ser pisados nem estejam em contacto com as superfícies quentes da caldeira.

Por último, unir o outro extremo dos tubos flexíveis aos nipples, fornecidos de série, usando duas chaves: uma no conector giratório do tubo flexível, para rosar, e uma no nipples, para sustentar o esforço de reacção.



+ H - H (m)	L (m)					
	RL 34 MZ Ø (mm)			RL 44 MZ Ø (mm)		
	8	10	12	8	10	12
+ 4,0	52	134	160	35	90	152
+ 3,0	46	119	160	30	80	152
+ 2,0	39	104	160	26	69	152
+ 1,0	33	89	160	21	59	130
+ 0,5	30	80	160	19	53	119
0	27	73	160	17	48	108
- 0,5	24	66	144	15	43	97
- 1,0	21	58	128	13	37	86
- 2,0	15	43	96	9	27	64
- 3,0	8	28	65	4	16	42
- 4,0	-	12	33	-	6	20

(A)

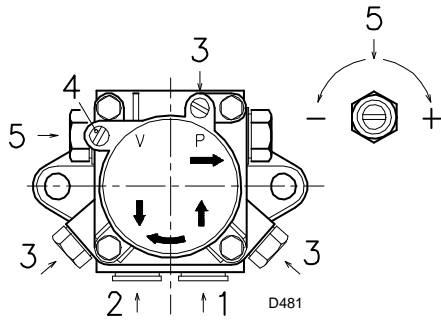


(B)

D3871

RL 34 MZ:
SUNTEC AN 57 C

RL 44 MZ:
SUNTEC AN 67 C



BOMBA		AN 57 C	AN 67 C
A	kg/h	45	67
B	bar	7 - 14	10 - 20
C	bar	0,45	0,45
D	cSt	2 - 75	2 - 75
E	°C	60	60
F	bar	2	2
G	bar	12	12
H	mm	0,150	0,150

(A)

BOMBA (A)

- 1 - Aspiração G 1/4"
- 2 - Retorno G 1/4"
- 3 - Ligação manómetro G 1/8"
- 4 - Ligação vacuómetro G 1/8"
- 5 - Regulação da pressão

- A - Caudal mínimo a 12 bar de pressão
- B - Campo de regulação da pressão de saída
- C - Depressão máxima em aspiração
- D - Campo de viscosidade
- E - Temperatura máxima do gasóleo
- F - Pressão máx. em aspiração e retorno
- G - Regulação da pressão em fábrica
- H - Largura da malha do filtro

ALIMENTAÇÃO DA BOMBA

- Antes de pôr o queimador em funcionamento, certificar-se de que o tubo de retorno ao depósito não está obstruído, o que provocaria a ruptura do retentor do eixo da bomba. (A bomba sai de fábrica com a válvula de by-pass fechada).
- Com o fim de que a bomba se possa auto-alimentar, é indispensável aliviar o parafuso 3)(A) da bomba para purgar o ar que possa haver no tubo de aspiração.
- Colocar em funcionamento o queimador fechando os termóstatos e com o interruptor 1)(B)p.10 na posição "MARCHA". A bomba deve rodar no sentido da seta que esta marcada na cobertura.
- Quando o gasóleo sai pelo parafuso 3), indica que a bomba está alimentada. Parar o queimador: interruptor 1)(B)p.10 na posição "PARAGEM" e apertar o parafuso 3).

O tempo necessário para esta operação depende do diâmetro e do comprimento do tubo de aspiração. Se a bomba não se ferra no primeiro arranque e o queimador bloqueia, esperar cerca de 15 segundos, rearmar e repetir a operação de arranque tantas vezes quantas as necessárias. tantas vezes quantas as necessárias. Por cada 5 ou 6 arranques, esperar 2 ou 3 minutos para que o transformador arrefeça. Não iluminar a resistência para evitar que o queimador se bloqueie; de qualquer forma, o queimador ficará bloqueado cerca de 10 segundos após o arranque.

Atenção: a operação anteriormente indicada é possível porque a bomba sai de fábrica cheia de combustível. Se a bomba se esvaziou, enchê-la de combustível pelo tampão do vacuómetro antes de a pôr em funcionamento, para evitar que se bloqueie.

Quando o tubo de aspiração tiver mais de 20-30 metros de comprimento, voltar a encher o tubo com uma bomba independente.

ATENÇÃO

O PRIMEIRO ACENDIMENTO DEVE SER EFECTUADO POR PESSOAL QUALIFICADO E DOTADO DE EQUIPAMENTO ADEQUADO.

ACENDIMENTO

Colocar o interruptor 1)(C) na posição "MAR-CHA".

No primeiro acendimento, ou no momento de passar da 1ª à 2ª chama, produz-se uma diminuição momentânea da pressão do combustível em consequência do enchimento do tubo que alimenta a 2ª boquilha. Esta baixa de pressão pode provocar a paragem do queimador, acompanhada, por vezes, de pulsações.

Uma vez efectuadas as regulações descritas de seguida, o acendimento do queimador deve produzir um ruído semelhante ao de funcionamento. Caso sejam notadas uma ou mais pulsações, ou um atraso no acendimento relativamente à abertura da electroválvula do gásóleo, ver os conselhos indicados na pág. 14: causas 34 ÷ 42.

FUNCIONAMENTO

Para conseguir uma regulação óptima do queimador, é necessário fazer uma análise da combustão à saída da caldeira e actuar sobre os seguintes elementos.

• **Boquilhas da 1ª e 2ª chama**
Ver informações indicadas na pág 6.

• **Cabeçal de combustão**

A regulação do cabeçal que já tenha sido feito, não necessita de alteração se o caudal do queimador na 2ª chama não variou.

• **Pressão da bomba**

12 bar: é a pressão regulada de fábrica e a que, normalmente, se deve utilizar. Por vezes, pode ser necessário regulá-la a:

10 bar para reduzir o caudal de combustível. É possível somente se a temperatura fica sobre 0 °C. Nunca descer abaixo dos 10 bar: já que o hidráulico do ar poderia abrir-se com dificuldade.

14 bar para aumentar o caudal do combustível ou para que o queimador acenda bem inclusive a temperaturas inferiores a 0°C.

Para variar a pressão da bomba, usar o parafuso 5)(A). 9.

• **Registo do ventilador - 1ª chama**

Manter o queimador funcionando na 1ª chama, colocando o interruptor (2)(B) na posição 1ª chama. A abertura do registo 1)(A) deve ser proporcional à da boquilha escolhida: o índice 7)(A) deve corresponder com o número da posição indicada na tabela (C). A regulação faz-se rodando o hexágono 4)(A):

- para a direita (sinal -), a abertura diminui;
- para a esquerda (sinal +), a abertura aumenta.

Exemplo:

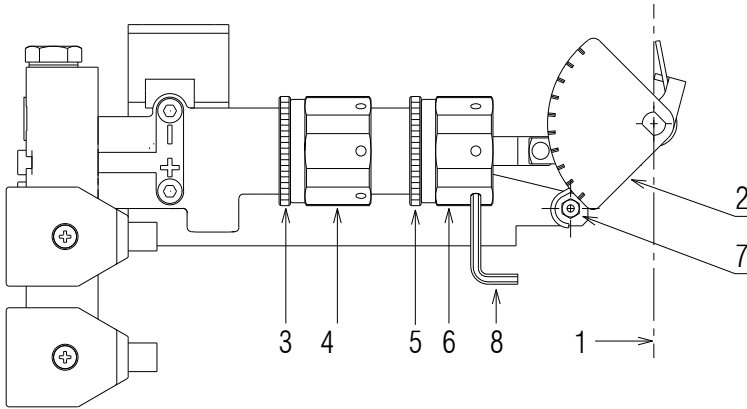
RL 44 MZ - Boquilha 1º chama 3,00 GPH:
Situar o nº de posição 22º com o índice 7)(A).
A regulação efectuada deve-se bloquear apertando a contraporca 3) contra o hexágono 4).

• **Registo do ventilador - 2ª chama**

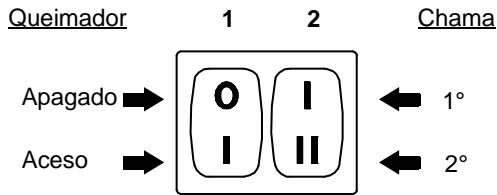
Colocar o interruptor 2)(B) na posição 2ª chama e regular o registo 1)(A) actuando sobre o hexágono 6)(A), depois de se ter aliviado a contraporca 5)(A).

A pressão de ar na toma 1)(D) deve ser a indicada na tabela (D) mais a sobrepressão da câmara de combustão medida na toma 2). Ver exemplo no desenho da figura.

NOTA: Para facilitar a regulação dos hexágonos 4) e 6)(A), utilizar uma chave hexagonal de 3 mm 8)(A).



(A) D3872



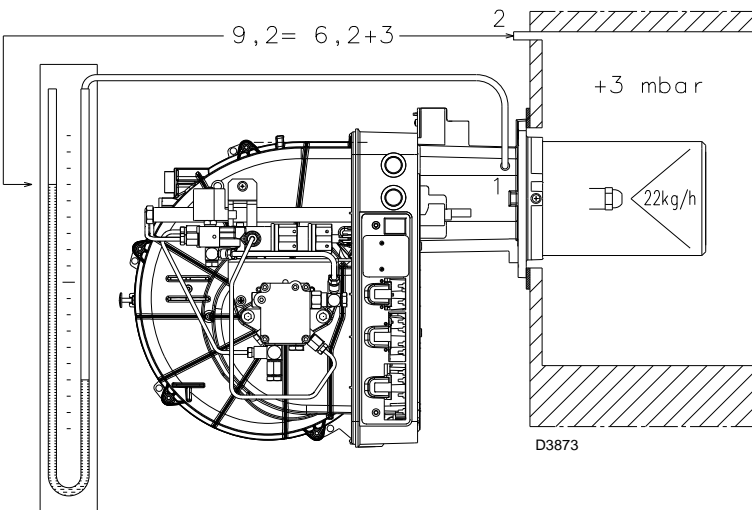
(B) D469

Versões 50 Hz				Versões 60 Hz			
RL 34 MZ		RL 44 MZ		RL 34 MZ		RL 44 MZ	
GPH	α	GPH	α	GPH	α	GPH	α
2,25	20	3,00	22	2,25	20	3,00	20
2,50	23	3,50	26	2,50	22	3,50	24
3,00	27	4,00	28	3,00	25	4,00	26
3,25	30	4,50	30	3,25	28	4,50	28
3,50	33	5,00	32	3,50	30	5,00	30
4,00	37			4,00	32		
4,50	40			4,50	35		

1ª CHAMA
a = N° posição

RL 34 MZ		RL 44 MZ	
kg/h	mbar	kg/h	mbar
13	5,4	20	4,2
14	5,6	22	4,7
16	5,7	24	4,9
18	5,9	26	5,1
20	6,0	29	5,4
22	6,2	32	5,6
24	6,4	35	6,3
26	6,6	38	7,4
28	6,7	40	8,6
30	6,9	41	9,0
32	7,0		
34	7,1		

2ª CHAMA
mbar = pressão ar na 1), com zero pressão na 2)



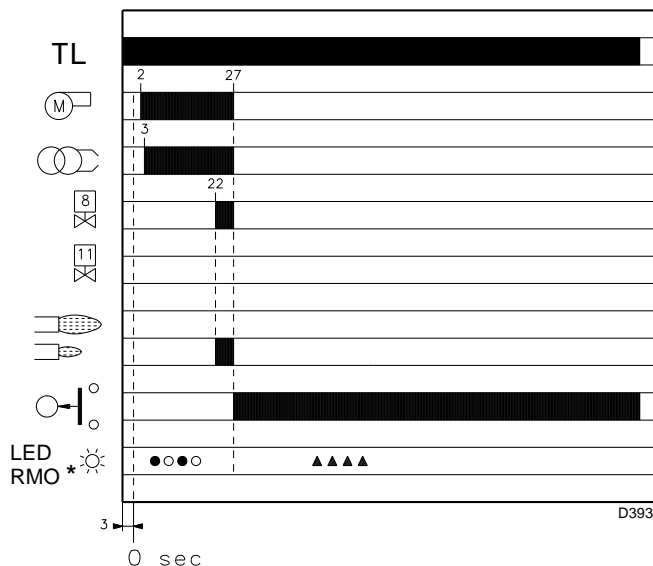
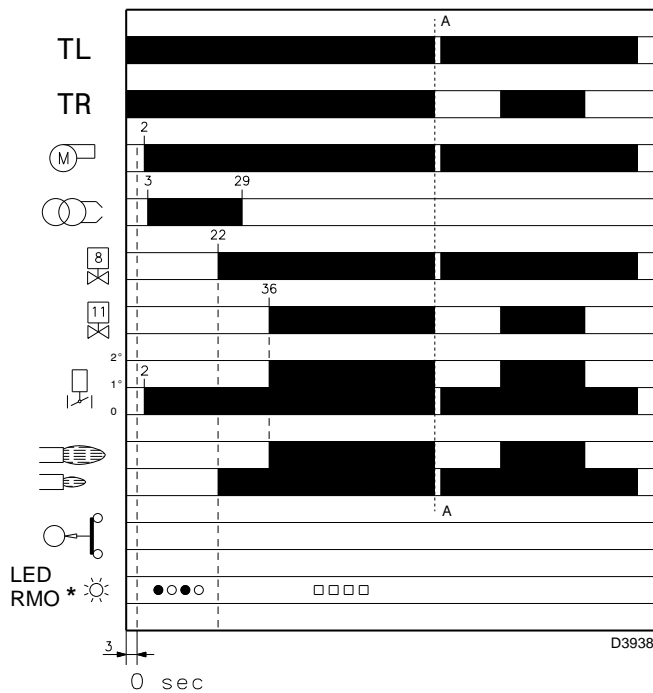
(D) D3873

FUNCIONAMENTO DO QUEIMADOR

ARRANQUE DO QUEIMADOR (A) - (B)

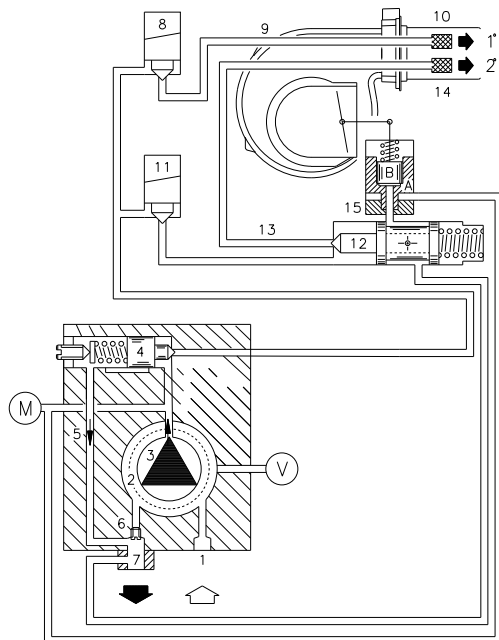
Fases do arranque com os tempos progressivos em segundos:

- Fecha-se o termostato TL. Passados cerca de 3s:
- **0 s** : Inicia o programa da caixa de controle.
- **2 s** : Entra em funcionamento o motor ventilador.
- **3 s** : Gera-se faísca no eléctrodo de acendimento. A bomba 3) aspira o combustível do depósito através do tubo 1) e do filtro 2) e bombeia-o à pressão. O pistão 4) levanta-se e o combustível regressa ao depósito através dos tubos 5) e 7). O parafuso 6) fecha o by-pass para a aspiração e as electroválvulas 8), 11) e 16), desactivadas, fecham a passagem para as boquilhas. O hidráulico do ar 15), pistão A, abre o registo de ar: e faz a pré-ventilação com o caudal de ar da 1ª chama.
- **22 s** : Abre-se a electroválvula 8); o combustível passa pelo tubo 9) e filtro 10), saindo pulverizado pela boquilha e, ao entrar em contacto com a faísca, acende-se a 1ª chama.
- **29 s** : Apaga-se o transformador de acendimento.
- **36 s** : Se o termostato TR está fechado ou foi substituído por uma ponte, abre-se a electroválvula 11) de 2ª chama, o combustível entra no dispositivo 12) e levanta o relativo pistão que abre duas vias: uma para o tubo 13), o filtro 14) e a boquilha de 2ª chama; e a outra para o hidráulico do ar 15), pistão B, que abre o registo de ar do ventilador na 2ª chama. Finaliza o ciclo de arranque.



- * ○ Apagado ● Amarelo □ Verde ▲ Vermelho
Para ulteriores informações ver pág. 14.

(A)



(B)

FUNCIONAMENTO A REGIME

Instalação com termostato TR

Finalizado o ciclo de arranque, o comando da electroválvula de 2ª chama passa ao termostato TR, que controla a pressão ou a temperatura na caldeira.

- Quando a temperatura ou a pressão aumenta até à abertura do termostato TR, a electroválvula 11) fecha-se e o queimador passa de 2ª a 1ª chama.
- Quando a temperatura ou a pressão diminui até ao fecho do termostato TR, a electroválvula 11) abre-se e o queimador passa de 1ª a 2ª chama; e assim sucessivamente.
- A paragem do queimador produz-se quando as necessidades de calor são menores que as geradas pelo queimador na 1ª chama. O termostato TL abre-se, a electroválvula 8) fecha-se, e a chama apaga-se repentinamente. O registo de ar do ventilador fecha-se por completo.

Instalação sem termostato TR, substituído por uma ponte

O arranque do queimador é feito como o indicado anteriormente. Posteriormente, se a temperatura ou a pressão aumenta até à abertura do termostato TL, o queimador apaga-se (segmento A-A do gráfico).

No momento em que a electroválvula 11), o pistão 12) fecha a via para a boquilha 2ª e o combustível existente no hidráulico do ar 15), pistão B, é descarregado na conduta de retorno 7).

FALTA DE ACENDIMENTO

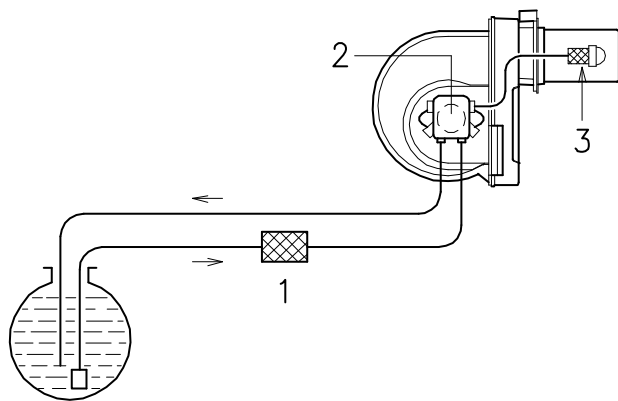
Se o queimador não se acende, produz-se o bloqueio do mesmo num tempo máximo de 5 segundos desde a abertura da electroválvula da 1ª chama e aos 30 segundos depois do fecho do termostato TL.

O piloto da caixa de controlo acende-se.

APAGAR DA CHAMA DURANTE O FUNCIONAMENTO

Se a chama se apaga durante o funcionamento do queimador, este bloqueia-se em 1 segundo e faz uma tentativa para entrar em funcionamento, repetindo o ciclo de arranque.

(A)



D482

CONTROLO FINAL

- **Obscurecer a fotorresistência e fechar os termostatos:** o queimador deve arrancar e de seguida bloquear-se a cerca de 5 segundos aproximadamente da abertura da válvula de 1ª chama.
- **Iluminar a fotorresistência e fechar os termostatos:** o queimador deve arrancar e, ao fim de cerca de 10 segundos, bloquear-se.
- **Obscurecer a fotorresistência com o queimador a funcionar na 2ª chama sucedendo o seguinte em sequência:** apagar da chama em 1 segundo, ventilação durante 20 segundos, faísca durante cerca de 5 segundos e bloqueio do queimador.
- **Abriu o termostato TL e de seguida o TS, com o queimador em funcionamento:** o queimador deve parar.

MANUTENÇÃO

⚠ O queimador requer uma manutenção periódica, que deve ser realizada por pessoal habilitado e em conformidade com as leis e normas locais.

⚠ A manutenção periódica é essencial para o bom funcionamento do queimador; essa reduz os consumos inúteis de combustível e reduz as emissões de poluentes no ambiente.

⚠ Antes de realizar qualquer operação de limpeza ou controlo, remover a alimentação eléctrica do queimador, actuando sobre o interruptor geral da instalação.

Combustão

Efectuar a análise dos gases de combustão que saem da caldeira. As diferenças significativas em relação à última análise indicarão os pontos onde deverão centrar-se as operações de manutenção.

Bomba

A pressão de impulsão da bomba deve ser estável a 12 bar. A depressão deve ser inferior a 0,45 bar. O ruído da bomba não deve ser perceptível. No caso de pressão instável ou se a bomba produz ruído, desligar o tubo flexível do filtro de linha e aspirar o combustível de um depósito colocado junto do queimador. Esta medida de precaução permite determinar se a causa da anomalia é do tubo de aspiração ou da bomba.

Se for da bomba, verificar se o seu filtro não está sujo. Com efeito, como o vacuómetro está instalado antes do filtro, não mostra o seu estado de sujidade. Pelo contrário, se a causa da anomalia está no tubo de aspiração, verificar se o filtro de linha não está sujo ou se entra ar no tubo.

Filtros (A)

Verificar os cartuchos filtrantes:

- de linha 1) • da bomba 2) • da boquilha 3), limpá-los ou substituí-los.

Se no interior da bomba é verificada oxidação ou outras impurezas, aspirar do fundo do depósito com uma bomba independente, a água e os lodos que eventualmente ali se tenham depositado.

Ventilador

Verificar que não se tenha acumulado pó no interior do ventilador nem nas pás da turbina: reduz o caudal de ar, provocando uma combustão defeituosa.

Cabeçal de combustão

Verificar que todas as partes do cabeçal estão intactas, que não estão deformadas pelas altas temperaturas, que não têm sujidade proveniente do ambiente e que estão correctamente posicionadas.

Boquilhas

Não tentar limpar o orifício das boquilhas. Recomenda-se substituir anualmente as boquilhas durante a manutenção periódica.

Quando se substituem, deve ser feita uma análise de combustão.

Fotorresistência

Limpar o pó depositado no vidro. Para retirar a fotorresistência 4)(A)p.3 puxar para fora; está ligada somente a pressão.

Tubos flexíveis

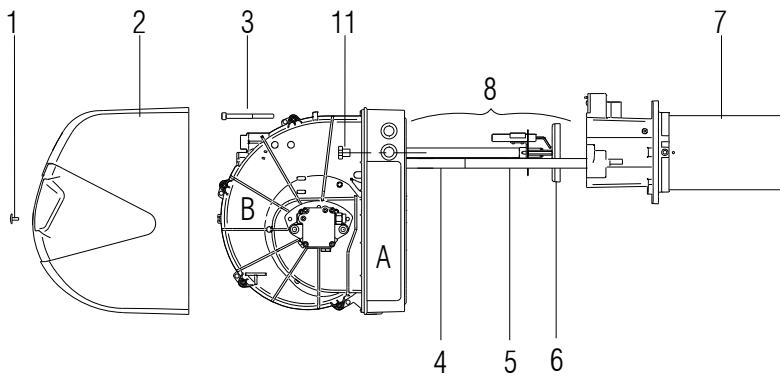
Verificar que estão em boas condições, que não tenham sido pisados ou deformados.

Depósito de combustível

Cada 5 anos, aproximadamente, aspirar a água do fundo do depósito com uma bomba independente.

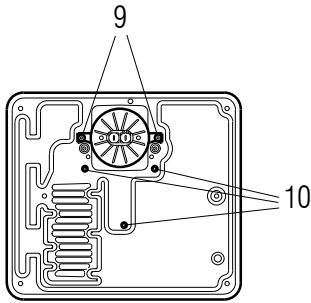
Caldeira

Limpar a caldeira de acordo com as instruções que a acompanham, com a finalidade de poder manter intactas as características de combustão originais, em especial a pressão na câmara de combustão e a temperatura dos fumos.



PARA ABRIR O QUEIMADOR (A)

- Interromper a corrente eléctrica
- Aliviar o parafuso 1) e retirar a envolvente 2)
- Desenroscar o parafuso 3)
- Montar as 2 extensões 4), presentes no bordo do queimador, as guias 5) (modelo com tubo de fogo 351 mm)
- Deslocar a parte A, mantendo-a ligeiramente levantada para não danificar o disco estabilizador 6) do tubo de fogo 7).



MANUTENÇÃO QUADRO ELÉCTRICO (B)

No caso seja necessário efectuar uma manutenção do quadro eléctrico A)(Fig. A), é possível retirar apenas a ventoinha de arrefecimento B)(Fig. A), para permitir um melhor acesso aos componentes eléctricos.

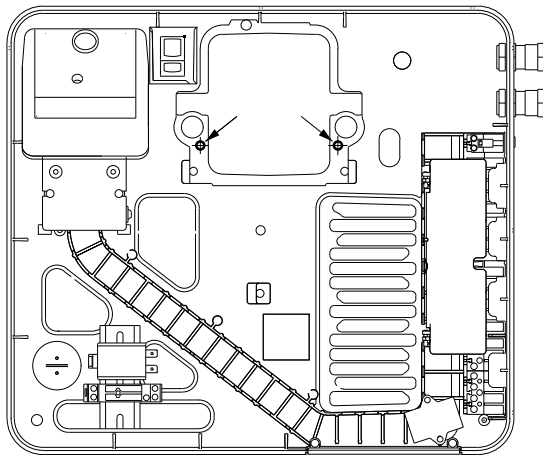
Com o queimador aberto como na fig. (A), desligar os cabos dos eléctrodos, remover os cabos dos eléctrodos e remover o grupo cabeçal 8)(A), desaparafusando os dois parafusos 9)(A).

Desligar as cablagens relativas ao motor ventilador, tirar os 3 parafusos 10)(A) presentes na lâmina de protecção e os 2 parafusos 11)(A). Desenfiar a ventoinha de arrefecimento B)(Fig. A) das guias 4) - 5)(A).

Em fim, podem ser usados 2 dos 3 parafusos 10)(A) para fixar o quadro eléctrico à mangureira, nos pontos indicados na fig. (B), e portanto efectuar as operações de manutenção.

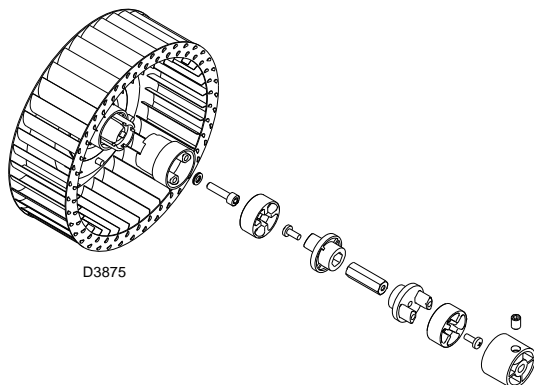
(A)

D3962



(B)

D3877



(C)

EVENTUAL SUBSTITUIÇÃO BOMBA E/OU JUNÇÕES (C)

Realizar a montagem respeitando as indicações da figura (C).

DIAGNÓSTICO PROGRAMA DE ARRANQUE

As indicações que aparecem durante o programa de arranque, estão explicadas na seguinte tabela:

TABELA CÓDIGO COR	
Sequências	Código cor
Pré-varrimento	● ○ ● ○ ● ○ ● ○ ●
Fase de ligação	● ○ ● ○ ● ○ ● ○ ●
Funcionamento com chama ok	□ □ □ □ □ □ □ □ □
Funcionamento com sinal de chama fraca	□ ○ □ ○ □ ○ □ ○ □
Alimentação eléctrica inferior a ~ 170V	● ▲ ● ▲ ● ▲ ● ▲ ●
Bloqueio	▲ ▲ ▲ ▲ ▲ ▲ ▲ ▲ ▲
Luz estranha	▲ □ ▲ □ ▲ □ ▲ □ ▲
Legenda:	○ Apagado ● Amarelo □ Verde ▲ Vermelho

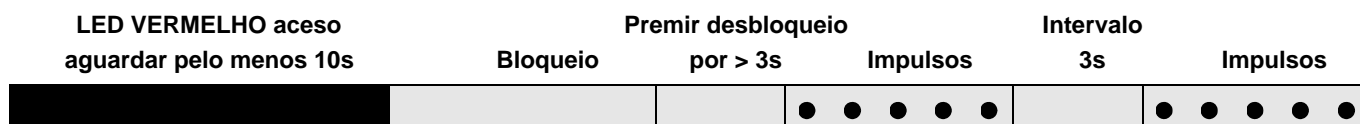
DESBLOQUEIO DO EQUIPAMENTO E UTILIZAÇÃO DO DIAGNÓSTICO

O equipamento fornecido de série possui uma sua função de diagnóstico, por meio da qual é possível localizar facilmente as eventuais causas de mau funcionamento (sinalização: **LED VERMELHO**).

Para utilizar tal função, é necessário aguardar pelo menos 10 segundos após a colocação da segurança e, em seguida, pressionar o botão de (desbloqueio).

O equipamento cria uma sequência de impulsos (à distância de 1 segundo) que se repete a intervalos constantes de 3 segundos.

Visualizado o número de sinais intermitentes e identificada a provável causa, é necessário reiniciar o sistema, mantendo o botão pressionado por um período de tempo compreendido entre 1 e 3 segundos.



A seguir, estão ilustrados os métodos possíveis para efectuar o desbloqueio do equipamento e para a utilização do diagnóstico.

DESBLOQUEIO DO EQUIPAMENTO

Para efectuar o desbloqueio do equipamento, agir como segue:

- Premir o botão por um período de tempo compreendido entre 1 e 3 segundos.
O queimador arranca após uma pausa de 2 segundos depois de se ter largado o botão.
No caso em que o queimador não arranque é necessário verificar o fechamento do termóstato limite.

DIAGNÓSTICO VISUAL

Indica o tipo de defeito do queimador que determina o bloqueio do mesmo.

Para visualizar o diagnóstico, agir como segue:

- Com o led vermelho fixo (bloqueio do queimador), manter premido o botão por mais de 3 segundos.
O fim da operação será indicado pelo acender de um led amarelo intermitente.
Soltar o botão após o piscar do led. O número de sinais intermitentes evidencia a causa do mau funcionamento de acordo com a codificação indicada na tabela de pág. 15.

DIAGNÓSTICO SOFTWARE

Fornecer a análise da vida do queimador por meio da conexão óptica ao PC, indicado as relativas horas de funcionamento, número e tipos de bloqueios, número de série do equipamento etc...

Para visualizar o diagnóstico, agir como segue:

- Com o led vermelho fixo (bloqueio do queimador), manter premido o botão por mais de 3 segundos.
O fim da operação será indicado pelo acender de um led amarelo intermitente.
Soltar o botão por 1 segundo e em seguida, voltar a premi-lo por mais de 3 segundos até à visualização de um ulterior piscar amarelo.
Quando se solta o botão, o led vermelho irá piscar em modo intermitente com frequência elevada: só nessa altura será possível inserir a conexão óptica.

Uma vez executadas as operações, é necessário restabelecer o estado inicial do equipamento por meio do procedimento de desbloqueio acima descrito.

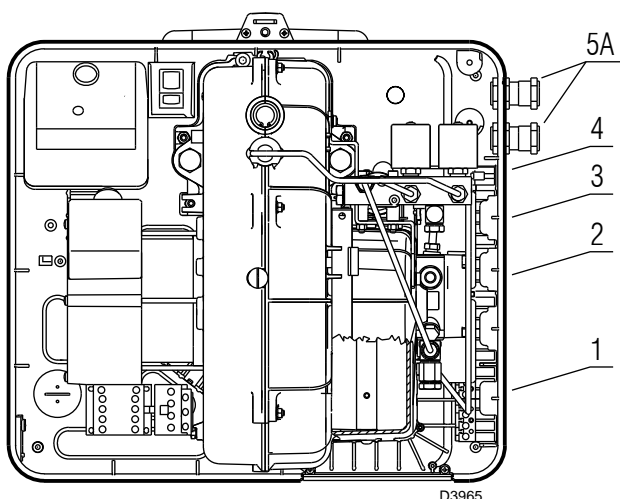
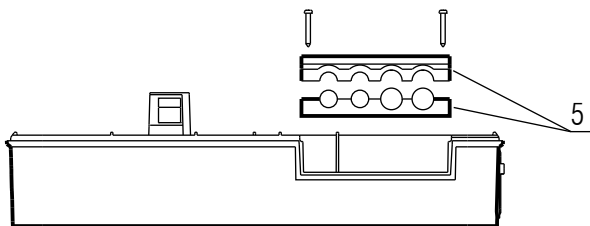
PRESSÃO NO BOTÃO	ESTADO DO EQUIPAMENTO
De 1 a 3 segundos	Desbloqueio do equipamento sem visualização do diagnóstico visual.
Mais de 3 segundos	Diagnóstico visual da condição de bloqueio: (piscar do led com intermitência de 1 segundo).
Mais de 3 segundos a partir da condição de diagnóstico visual	Diagnóstico software com auxílio de interface óptica e PC (possibilidade de visualização das horas de funcionamento, das anomalias, etc..)

A sequência dos impulsos emitidos pelo equipamento identifica os possíveis tipos de avaria que são ilustrados na tabela de pág. 15.

SINAL	ANOMALIA	CAUSA PROVÁVEL	SOLUÇÃO
Nenhum sinal intermitente	O queimador não arranca	1 - Falta corrente eléctrica 2 - O termostato de regulação máxima ou de segurança aberto 3 - Bloqueio da caixa de controlo 4 - Bomba bloqueada 5 - Ligações eléctricas incorrectas 6 - Caixa de controlo defeituosa 7 - Motor eléctrico defeituoso 8 - Condensador motor defeituoso (RL 34 MZ - RL 44 MZ monofásico)	Fechar interruptores - controlar fusíveis Regulá-lo ou substituí-lo Desbloqueá-la (passados 10 s do bloqueio) Substituí-la Comprová-lo Substituí-la Substituí-lo Substituí-lo
4 sinais intermitentes ● ● ● ●	O queimador arranca e depois bloqueia-se	9 - Fotorresistência em curto-circuito 10 - Luz estranha ou simulação de chama	Substituir a fotorresistência Eliminar a luz ou substituir a caixa de controlo
2 sinais intermitentes ● ●	Superado o pré-varrimento e o tempo de segurança, o queimador bloqueia-se sem aparecer a chama	11 - Falta combustível na cisterna, ou há água no fundo 12 - Regulações incorrectas do cabeçal e do registo 13 - Electroválvulas gasóleo não abrem (1ª chama ou segurança) 14 - Boquilha da 1ª chama obturada, suja ou deformada 15 - Eléctrodos de acendimento mal regulados ou sujos 16 - Eléctrodo à massa por rotura do isolamento 17 - Cabo de alta tensão defeituoso 18 - Cabo de alta tensão deformado pela alta temperatura 19 - Transformador de acendimento defeituoso 20 - Ligação eléctrica das válvulas ou do transformador de acendimento incorrecta 21 - Caixa de controlo defeituosa 22 - Bomba não ferrada 23 - Junta motor-bombo rota 24 - Aspiração bomba ligada ao tubo de retorno 25 - Válvulas a montante da bomba fechadas 26 - Filtros sujos (de linha - na bomba - na boquilha) 27 - Fotorresistência ou caixa de controlo defeituosa 28 - Fotorresistência suja 29 - 1ª chama do hidráulico defeituosa 30 - Bloqueio motor (RL 44 MZ trifásico) 31 - Telerruptor comando motor defeituoso (RL 44 MZ trifásico) 32 - Alimentação eléctrica de duas fases (RL 44 MZ trifásico) Actua o relé térmico 33 - Motor roda em sentido contrário	Abastecer ou aspirar a água Regulá-las, ver pág. 7 e 10 Verificar as ligações; substituir a bobina Substituí-la Regulá-los ou limpá-los Substituí-lo Substituí-lo Substituí-lo e protegê-lo Substituí-lo Refazer as ligações Substituí-la Ferrá-la e ver "ferragem da bomba" Substituí-la Corrigir a ligação Abri-las Limpá-las Substituir fotorresistências ou caixa de controlo Limpá-la Substituir hidráulico Desbloquear relé térmico Substituí-lo Desbloquear o relé térmico quando volte à terceira fase Mudar a ligação eléctrica do motor
7 sinais intermitentes ● ● ● ● ● ● ●	A chama apaga-se	34 - Cabeçal mal regulado 35 - Eléctrodos de acendimento mal regulados ou sujos 36 - Registo ventilador mal regulado, demasiado ar 37 - 1ª boquilha demasiado grande (pulsações) 38 - 1ª boquilha demasiado pequena (pulsações) 39 - 1ª boquilha suja ou deformada 40 - Pressão da bomba inadequada 41 - Boquilha 1ª chama inadequada ao queimador ou caldeira 42 - Boquilha 1ª chama defeituosa	Regulá-lo, ver pág. 7, fig. (F) Regulá-los; ver pág. 7 Fig. (B) ou limpá-los Regulá-lo Reduzir o caudal da 1ª boquilha Aumentar o caudal da 1ª boquilha Substituí-la Regulá-la entre 10 e 14 bar Ver Tab. boquilhas p.6; reduzir boq. 1ª chama Substituí-la
	O queimador não passa à 2ª chama	43 - Termóstato TR não fecha 44 - Caixa de controlo defeituosa 45 - Bobine da electroválvula de 2ª chama defeituosa 46 - Pistão bloqueado no grupo das válvulas	Regulá-lo ou substituí-lo Substituí-la Substituí-la Substituir o grupo
	O combustível passa à 2ª chama e o ar fica na 1ª chama.	47 - Pressão da bomba é baixa 48 - 2ª chama do hidráulico defeituosa	Aumentá-la Substituir hidráulico
	O queimador pára ao passar da 1ª à 2ª chama e da 2ª à 1ª. O queimador repete o ciclo de arranque.	49 - Boquilha suja 50 - Fotorresistência suja 51 - Demasiado ar	Substituí-la Limpá-la Reduzi-lo
	Alimentação irregular de combustível	52 - Entender se a causa é a bomba ou o sistema de alimentação	Alimentar o queimador com um reservatório colocado perto do mesmo
	Bomba com interior enferrujado	53 - Água na cisterna	Aspirá-la do fundo da cisterna com uma bomba
	Bomba ruidosa, pressão botão	54 - Entrada de ar na tubagem de aspiração 55 - Depressão demasiado elevada (superior a 35 cm Hg) 56 - Desnível queimador-cisterna demasiado elevado 57 - Diâmetro das tubagens demasiado pequeno 58 - Filtros em aspiração sujos 59 - Válvulas em aspiração fechadas 59 - Solidificação parafina devido à baixa temperatura	Bloquear os conectores Alimentar o queimador com circuito em anel Aumentá-lo Limpá-los Abri-las Pôr aditivo no gasóleo
	Bomba que não ferra após uma pausa prolongada	60 - Tubo de retorno não mergulhado no combustível 61 - Entrada de ar na tubagem de aspiração	Colocá-lo à mesma altura do tubo de aspiração Apertar os conectores
	Bomba com perda de gasóleo	62 - Perda do órgão de isolamento	Substituir a bomba
	Chama com fumo - Bacharach escuro - Bacharach amarelo	63 - Pouco ar 64 - Boquilha suja ou desgastada 65 - Filtro da boquilha suja 66 - Pressão incorrecta da bomba 67 - Hélice de estabilidade da chama suja, desapertada 68 - Aberturas ventilação sala caldeiras insuficiente 69 - Demasiado ar	Regular o cabeçal e o registo do ventilador, ver pág.7 e 10. Substituí-la Limpá-lo ou substituí-lo Regulá-la: entre 10 e 14 bar Limpá-la, apertá-la ou substituí-la ou deformada Aumentá-las Regular o cabeçal e registo do ventilador, ver pág.7 e 10.
	Cabeçal de combustão sujo	70 - Boquilha ou filtro da boquilha suja 71 - Ângulo ou caudal da boquilha não apropriados 72 - Boquilha desapertada 73 - Impurezas do ambiente na hélice de estabilidade 74 - Regulação do cabeçal errada ou pouco ar 75 - Comprimento do bocal não apropriado para a caldeira	Substituí-la Ver boquilhas aconselhadas pág. 6 Apertá-lo Limpar Regulá-la, ver pág. 10 abrir o registo Consultar o construtor da caldeira
10 sinais intermitentes ● ● ● ● ● ● ● ● ● ●		76 - Erro de ligação ou avaria interna 77 - Presença de distúrbios electromagnéticos	Utilizar o kit protecção contra as rádio-interferências

APÊNDICE

Ligação eléctrica



D3965



NOTAS

As ligações eléctricas devem ser realizadas por pessoal qualificado e em conformidade com as normas em vigor no país de destino e por pessoal qualificado. Riello S.p.A. declina toda a responsabilidade que derive de modificações ou ligações diferentes das representadas nestes esquemas.

Usar cabos flexíveis em conformidade à norma EN 60 335-1.

Todos os cabos a ser ligados ao queimador devem ser feitos passar através do passacabos.

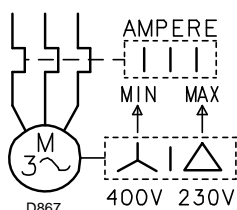
Os passacabos podem ser utilizados de várias formas; como exemplo, indicamos a seguinte forma:

RL 34-44 MZ monofásico

- 1- Tomada 7 pólos para alimentação monofásica, termóstato/pressostato TL
- 2- Tomada 4 pólos para termóstato/pressostato TR
- 3- Tomada 5 pólos não utilizada
- 4- Tomada 2 pólos para acessório desbloqueio caixa de controlo a distância
- 5 - 5A Predisposições para bocas (Perfurar em caso de necessidade umas bocas 5A)

RL 44 MZ trifásico

- 1- Tomada 7 pólos para alimentação monofásica, termóstato/pressostato TL
- 2- Tomada 4 pólos para termóstato/pressostato TR
- 3- Tomada 5 pólos para alimentação trifásica
- 4- Tomada 2 pólos para acessório desbloqueio caixa de controlo a distância
- 5 - 5A Predisposições para bocas (Perfurar em caso de necessidade umas bocas 5A)



D867

CALIBRAGEM RELÉ TÉRMICO (RL 44 MZ trifásico)

Serve para evitar que o motor se queime por um forte aumento do consumo devido à ausência de uma fase.

- Se o motor é alimentado em estrela, **400 V**, o cursor deve ser colocado em "MIN".
- Se o motor é alimentado em triângulo, **230 V**, o cursor deve ser colocado em "MAX".

Se a escala do relé térmico não compreende o consumo nominal do motor a 400 V, a protecção está igualmente assegurada.

NOTAS

- O modelo RL 44 MZ trifásico deixa a fábrica previsto para alimentação eléctrica **400V**. Se a corrente for a **230 V**, mudar a ligação do motor (de estrela a triângulo) e a regulação do relé térmico.
- Os queimadores RL 34-44 MZ têm sido homologados para funcionar a intermitência. Isto significa que devem parar "por Norma" pelo menos uma vez cada 24 horas para permitir que a caixa de controlo faça uma verificação da eficácia ao arranque. Normalmente a paragem do queimador é garantida pelo termóstato/pressostato da caldeira. Se assim não for, deverá colocar em série com o interruptor IN, um interruptor horário que pare o queimador pelo menos uma vez cada 24 horas.
- Os queimadores RL 34-44 MZ deixam a fábrica predispostos para um funcionamento a duas chamas e portanto deve ser ligado o termóstato/pressostato TR. Se quiser, em vez, que o queimador tenha funcionamento de uma chama, inserir, em substituição do termóstato/pressostato TR, uma ponte entre os terminais T6 - T7 da ficha X4.



ATENÇÃO:

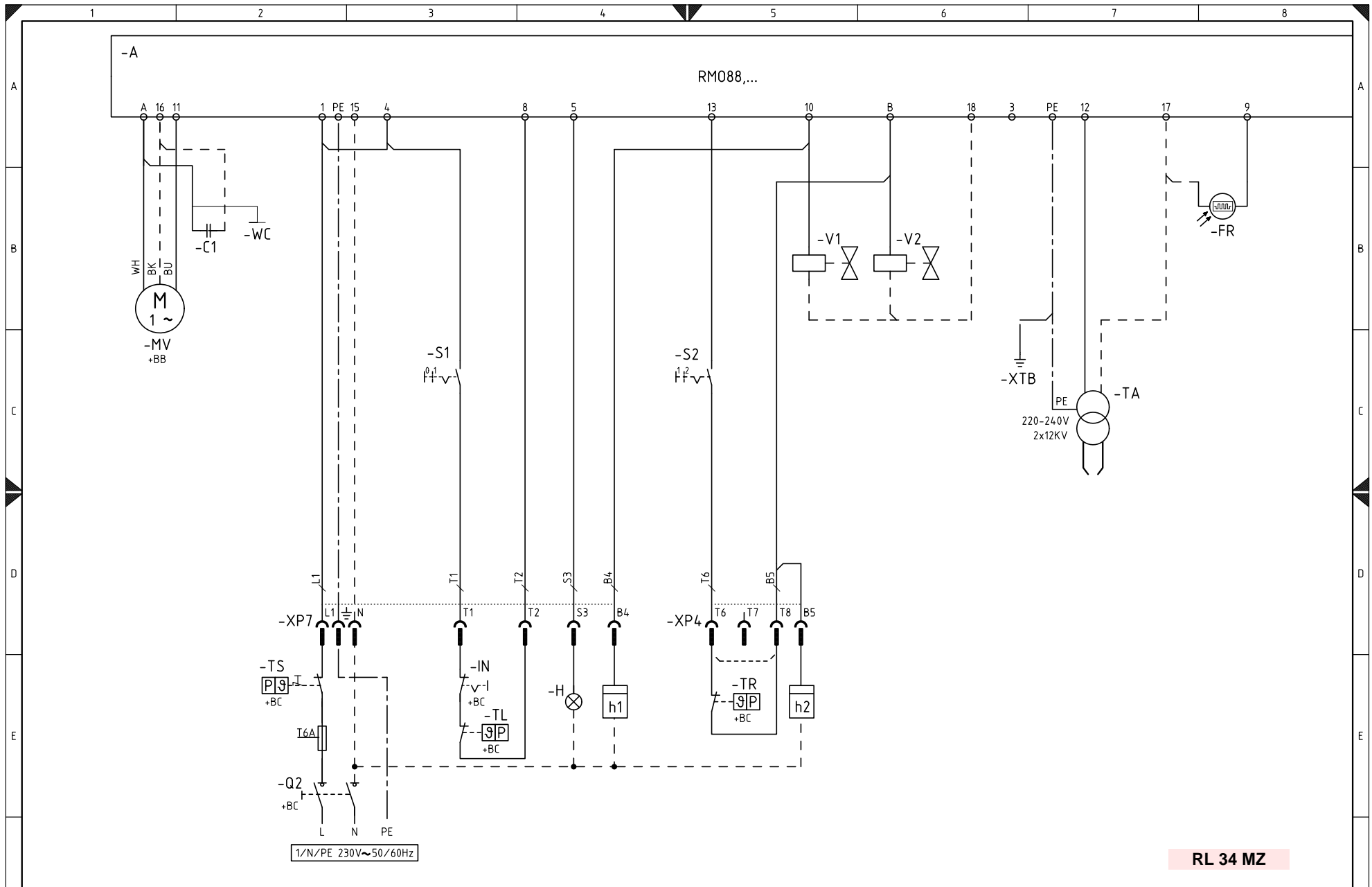
- Não inverter o neutro com a fase na linha de alimentação eléctrica. A eventual inversão poderia determinar uma paragem em bloqueio por falta de acendimento.
- Substituir os componentes unicamente com peças de substituição originais.

Esquema quadro eléctrico

1	ÍNDICE
2	Indicação referências
3	Esquema funcional
4	Ligações eléctricas pelo instalador

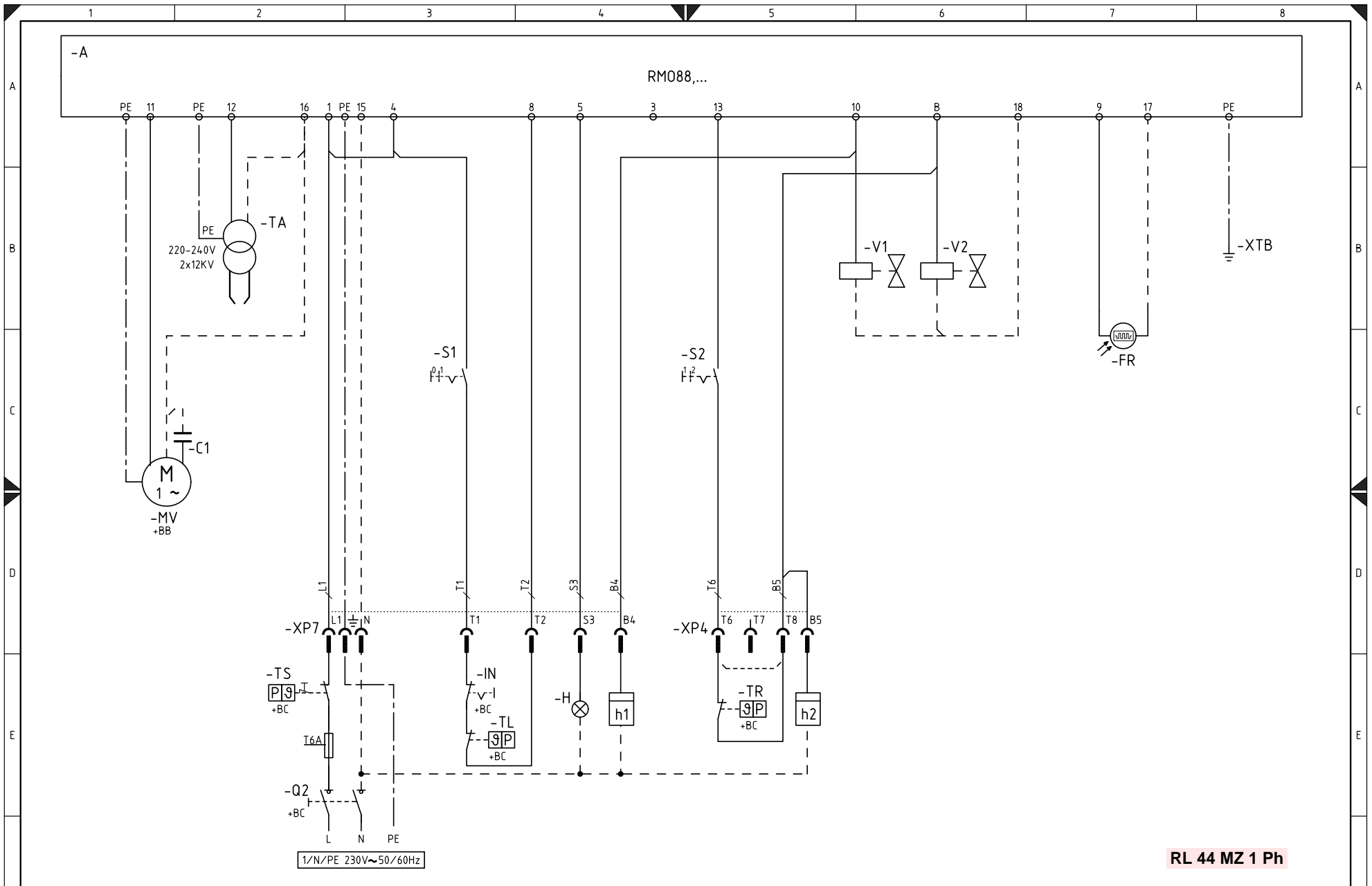
2 Indicação referências





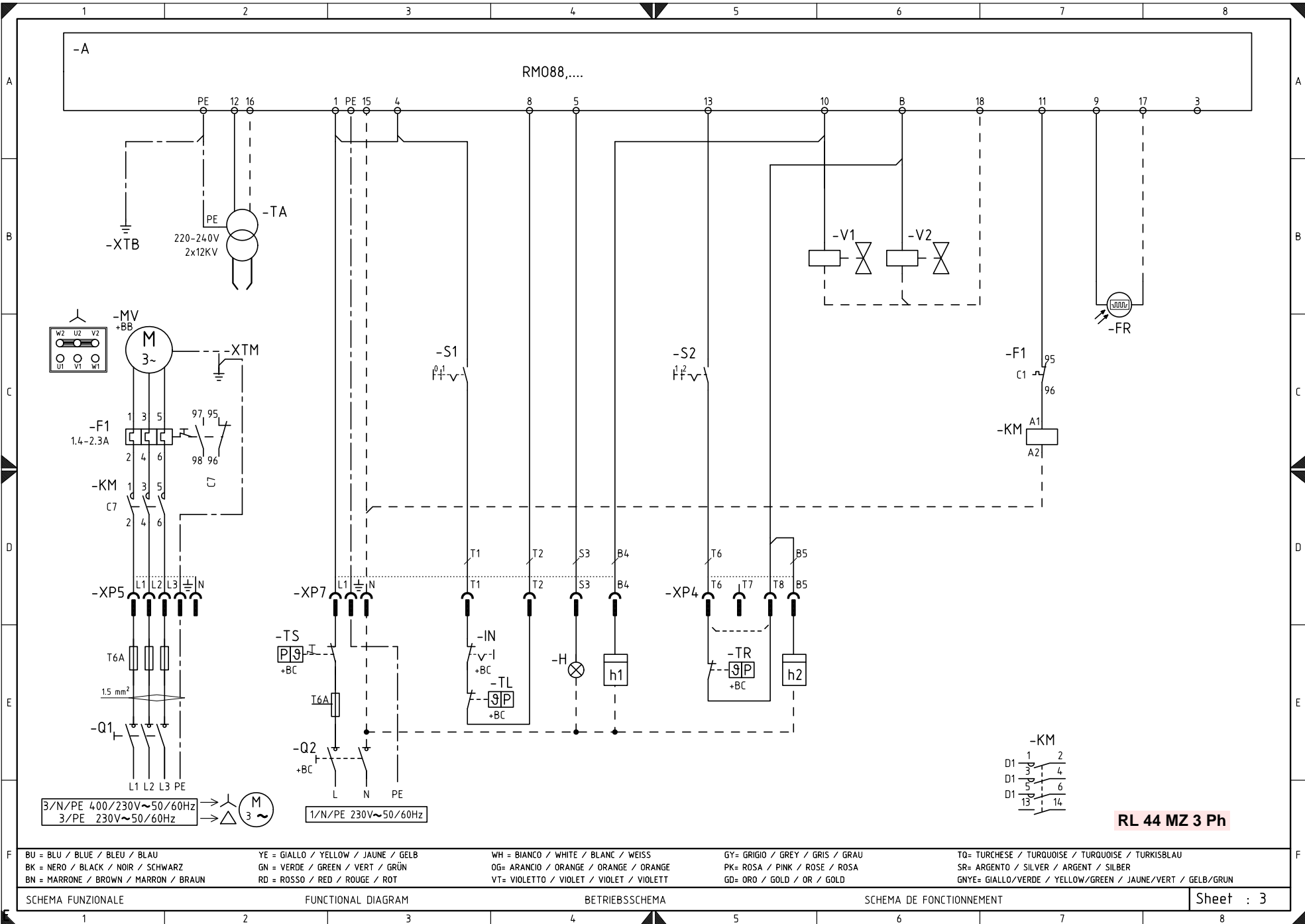
RL 34 MZ

BU = BLU / BLUE / BLEU / BLAU	YE = GIALLO / YELLOW / JAUNE / GELB	WH = BIANCO / WHITE / BLANC / WEISS	GY= GRIGIO / GREY / GRIS / GRAU	TQ= TURCHESE / TURQUOISE / TURKOISE / TURKISBLAU
BK = NERO / BLACK / NOIR / SCHWARZ	GN = VERDE / GREEN / VERT / GRÜN	OG= ARANCIO / ORANGE / ORANGE / ORANGE	PK= ROSA / PINK / ROSE / ROSA	SR= ARGENTO / SILVER / ARGENT / SILBER
BN = MARRONE / BROWN / MARRON / BRAUN	RD = ROSSO / RED / ROUGE / ROT	VT= VIOLETTO / VIOLET / VIOLET / VIOLETT	GD= ORO / GOLD / OR / GOLD	GNYE= GIALLO/VERDE / YELLOW/GREEN / JAUNE/VERT / GELB/GRÜN

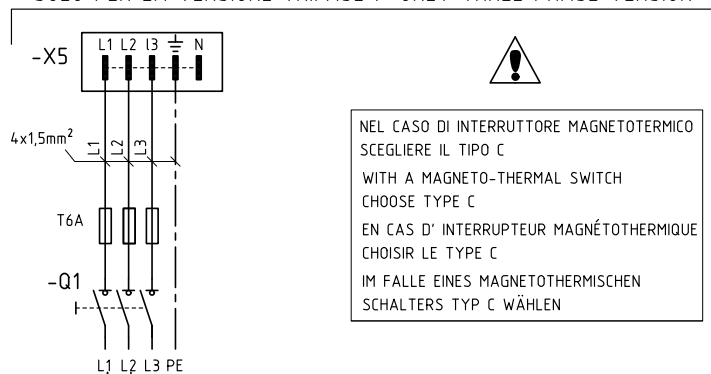


RL 44 MZ 1 Ph

BU = BLU / BLUE / BLEU / BLAU	YE = GIALLO / YELLOW / JAUNE / GELB	WH = BIANCO / WHITE / BLANC / WEISS	GY = GRIGIO / GREY / GRIS / GRAU	TQ= TURCHESE / TURQUOISE / TURKOISE / TURKISBLAU
BK = NERO / BLACK / NOIR / SCHWARZ	GN = VERDE / GREEN / VERT / GRÜN	OG= ARANCIO / ORANGE / ORANGE / ORANGE	PK= ROSA / PINK / ROSE / ROSA	SR= ARGENTO / SILVER / ARGENT / SILBER
BN = MARRONE / BROWN / MARRON / BRAUN	RD = ROSSO / RED / ROUGE / ROT	VT= VIOLETTO / VIOLET / VIOLET / VIOLETT	GD= ORO / GOLD / OR / GOLD	GNYE= GIALLO/VERDE / YELLOW/GREEN / JAUNE/VERT / GELB/GRÜN

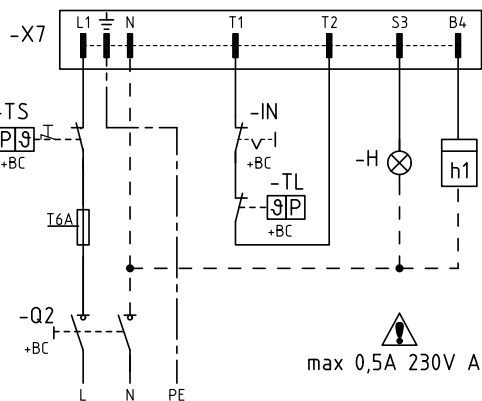


SOLO PER LA VERSIONE TRIFASE / ONLY THREE PHASE VERSION



NEL CASO DI INTERRUTTORE MAGNETOTERMICO SCEGLIERE IL TIPO C
 WITH A MAGNETO-THERMAL SWITCH CHOOSE TYPE C
 EN CAS D'INTERRUPTEUR MAGNÉOTHERMIQUE CHOISIR LE TYPE C
 IM FALLE EINES MAGNETOTHERMISCHEN SCHALTERS TYP C WÄHLEN

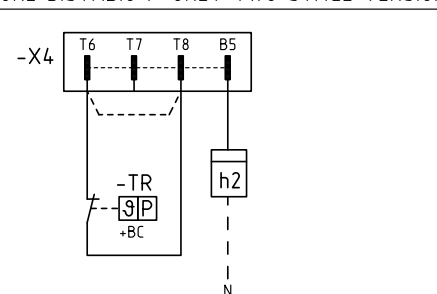
3/N/PE 400/230V~50/60Hz → M
 3/PE 230V~50/60Hz → M



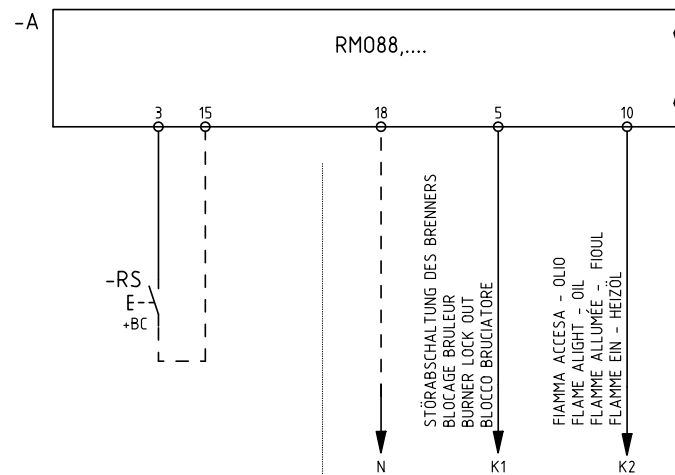
max 0,5A 230V AC

1/N/PE 230V~50/60Hz

SOLO LA VERSIONE BISTADIO / ONLY TWO STAGE VERSION



KITS



PULSANTE DI SBLOCCO A DISTANZA
 REMOTE RESET BUTTON
 BOUTON DE DEPLOCEMENT A DISTANCE
 FERNSTORUNGSTASTE

USCITA PER KIT RELE' CONTATTI PULITI
 OUTPUT FOR VOLTAGE FREE CONTACTS KIT
 SORTIE POUR KIT RELAIS CONTACTS PROPRES
 AUSGANG FÜR REINKONTAKTE-KIT

max 10A AC1 230V AC
 max 2A AC15 230V AC

BU = BLU / BLUE / BLEU / BLAU	YE = GIALLO / YELLOW / JAUNE / GELB	WH = BIANCO / WHITE / BLANC / WEISS	GY= GRIGIO / GREY / GRIS / GRAU	TQ= TURCHESE / TURQUOISE / TURKOISE / TURKISBLAU
BK = NERO / BLACK / NOIR / SCHWARZ	GN = VERDE / GREEN / VERT / GRÜN	OG= ARANCIO / ORANGE / ORANGE / ORANGE	PK= ROSA / PINK / ROSE / ROSA	SR= ARGENTO / SILVER / ARGENT / SILBER
BN = MARRONE / BROWN / MARRON / BRAUN	RD = ROSSO / RED / ROUGE / ROT	VT= VIOLETTO / VIOLET / VIOLET / VIOLETT	GD= ORO / GOLD / OR / GOLD	GNYE= GIALLO/VERDE / YELLOW/GREEN / JAUNE/VERT / GELB/GRÜN

LEGENDA ESQUEMAS ELÉTRICOS

A	- Caixa de controlo eléctrica
BB	- Componentes bordo queimadores
BC	- Componentes bordo caldeira
C1	- Condensador
F1	- Relé térmico motor ventilador
FR	- Fotorresistência
H	- Sinalização de bloqueio remoto
IN	- Interruptor paragem manual queimador
h1	- Conta-horas
h2	- Conta-horas
KM	- Contactador motor
MV	- Motor ventilador
Q1	- Interruptor seccionador trifásico
Q2	- Interruptor seccionador monofásico
RS	- Botão de desbloqueio queimador a distância (aces-sório)
S1	- Interruptor: queimador aceso-apagado
S2	- Interruptor: 1 ^a - 2 ^a chama
TA	- Transformador de acendimento
TL	- Termóstato/pressostato de limite
TR	- Termóstato/pressostato de regulação
TS	- Termóstato/pressostato de segurança
XP4	- Tomada de 4 pólos
XP5	- Tomada de 5 pólos
XP7	- Tomada de 7 pólos
XTB	- Terra consola
XTM	- Terra grupo ventilador
X4	- Ficha de 4 pólos
X5	- Ficha de 5 pólos
X7	- Ficha de 7 pólos
V1	- Electroválvula de acendimento/1 ^a chama
V2	- Electroválvula de 2 ^a chama
WC	- Conexão condensador

RIELLO

RIELLO S.p.A.
I-37045 Legnago (VR)
Tel.: +39.0442.630111
[http:// www.riello.it](http://www.riello.it)
[http:// www.rielloburners.com](http://www.rielloburners.com)