

- GB** Light oil burners
- E** Quemadores de gasóleo
- P** Queimadores a gasóleo

Two stage operation
Funcionamiento a dos llamas
Funcionamento a duas chamas



CODE - CÓDIGO	MODEL - MODELO	TYPE - TIPO
3470400 - 3470410	RL 64 MZ	974 T
3470401 - 3470411	RL 64 MZ	974 T

TECHNICAL DATA page 2
ELECTRICAL DATA2
 Variants2
 Burner description3
 Packaging - Weight3
 Max. dimensions3
 Standard equipment3
 Firing rates4
 Test boiler4
INSTALLATION5
 Working position5
 Boiler plate5
 Blast tube length5
 Securing the burner to the boiler5
 Choice of nozzles per il 1° e 2° stadio5
 Nozzle assembly6
 Combustion head setting6
 Hydraulic system7
 Pump8
 Burner calibration9
 Burner operation10
 Final checks11
 Maintenance11
 Burner start-up cycle diagnostics13
 Resetting the control box and using diagnostics13
 Fault - Probable cause - Suggested remedy14
 Status (optional)15
 Accessories16
APPENDIX17
 Electrical connections17
 Electrical panel layout18

N.B.
 Figures mentioned in the text are identified as follows:
 1)(A) =part 1 of figure A, same page as text;
 1)(A)p.3 =part 1 of figure A, page number 3.

INFORMATION ABOUT THE INSTRUCTION MANUAL

INTRODUCTION

- The instruction manual supplied with the burner:
- is an integral and essential part of the product and must not be separated from it; it must therefore be kept carefully for any necessary consultation and must accompany the burner even if it is transferred to another owner or user, or to another system. If the manual is lost or damaged, another copy must be requested from the Technical Assistance Service **RIELLO** of the area;
 - is designed for use by qualified personnel;
 - offers important indications and instructions relating to the installation safety, start-up, use and maintenance of the burner.

DELIVERY OF THE SYSTEM AND THE INSTRUCTION MANUAL

When the system is delivered, it is important that:

- The instruction manual is supplied to the user by the system manufacturer, with the recommendation to keep it in the room where the heat generator is to be installed.
- The instruction manual shows:

- the serial number of the burner;

.....

- the address and telephone number of the nearest Assistance Centre;

.....

.....

.....

- The system supplier carefully informs the user about:
 - the use of the system,
 - any further tests that may be necessary before the system is started up,
 - maintenance and the need to have the system checked at least once a year by the manufacturer or another specialised technician.
- To ensure a periodic check, **RIELLO** recommends the drawing up of a Maintenance Contract.

Manufacturer's Declaration			
RIELLO S.p.A. declares that the following products comply with the NOx emission limits specified by German standard "1. BImSchV release 26.01.2010".			
Product	Type	Model	Power
Light oil burner	974 T	RL 64 MZ	206 - 830 kW

Legnago, 01.02.2012

Mr. G. Conticini
 Burners Division Department
 RIELLO S.p.A.



TECHNICAL DATA

MODEL			RL 64 MZ
TYPE			974 T
OUTPUT ⁽¹⁾ DELIVERY ⁽¹⁾	2nd stage	kW	391 - 830
		Mcal/h	336 - 714
		kg/h	33 - 70
	1st stage	kW	206 - 391
		Mcal/h	177 - 296
		kg/h	17,4 - 33
FUEL			LIGHT OIL
- Net calorific value	kWh/kg Mcal/kg		11.8 10.2 (10,200 kcal/kg)
- Density	kg/dm ³		0.82 - 0.85
- Viscosity at 20 °C	mm ² /s max		6 (1.5 °E - 6 cSt)
OPERATION			<ul style="list-style-type: none"> Intermittent (min. 1 stop in 24 hours). Two-stage (high and low flame) and single-stage (all - nothing).
PUMP	delivery (at 20 bar) pressure range fuel temperature	kg/h bar ° C max	107 10 - 20 60
NOZZLES			number 2
STANDARD APPLICATIONS			Boilers: water, steam, diathermic oil
AMBIENT TEMPERATURE			°C 0 - 40
COMBUSTION AIR TEMPERATURE			°C max 60
IN CONFORMITY WITH EEC DIRECTIVES			2004/108 - 2006/95 - 92/42 - 2006/42
NOISE LEVELS ⁽²⁾			dBA 76
APPROVAL			CE 0036 0382/07

(1) Reference conditions: Ambient temperature 20°C - Barometric pressure 1000 mbar - Altitude 100 m a.s.l.

(2) Sound pressure measured in manufacturers combustion laboratory, with burner operating on test boiler and at maximum rated output.

ELECTRICAL DATA

MOTOR IE1

MODEL			RL 64 MZ
ELECTRICAL SUPPLY		V	230 - 400 with neutral ~ +/-10%
		Hz	
ELECTRIC MOTOR		rpm	2800
		W	1100
		V	220/240 - 380/415
		A	4.7 - 2.7
IGNITION TRASFORMER		V1 - V2	230 V - 2 x 12 kV
		I1 - I2	0.2 A - 30 mA
ELECTRICAL POWER CONSUMPTION		W max	1800
ELECTRICAL PROTECTION			IP 44

MOTOR IE2

MODEL			RL 64 MZ
ELECTRICAL SUPPLY		V	230 - 400 with neutral ~ +/-10%
		Hz	
ELECTRIC MOTOR		rpm	2880
		W	1100
		V	230/400
		A	4.3 - 2.5
IGNITION TRASFORMER		V1 - V2	230 V - 2 x 12 kV
		I1 - I2	0.2 A - 30 mA
ELECTRICAL POWER CONSUMPTION		W max	1650
ELECTRICAL PROTECTION			IP 44

VARIANTS

Model	Code	Blast tube length mm
RL 64MZ	3470400 - 3470410	250
	3470401 - 3470411	385

BURNER DESCRIPTION (A)

- 1 Ignition electrodes
- 2 Combustion head
- 3 Screw for combustion head adjustment
- 4 Photocell for flame presence control
- 5 Screw for fixing fan to flange
- 6 Slide bars for opening the burner and inspecting the combustion head
- 7 Hydraulic cylinder for regulation of the air gate valve in 1st and 2nd stage positions. When the burner is not operating the air gate valve is fully closed in order to reduce heat dispersion from the boiler due to the flue draught which draws air from the fan suction inlet.
- 8 Safety solenoid valve
- 9 Pump
- 10 Plate prearranged to drill 4 holes for the passage of hoses and electrical cables.
- 11 Air inlet to fan
- 12 Fan pressure test point
- 13 Boiler mounting flange
- 14 Flame stability disk
- 15 Flame inspection window
- 16 Extensions for slide bars (6)
- 17 Motor contactor and thermal cut-out reset button
- 18 1st and 2nd stage valve assembly
- 19 Control box with lock-out pilot light and lock-out reset button
- 20 Two switches:
 - one "burner off - on"
 - one for "1st - 2nd stage operation"
- 21 Plugs for electrical connections
- 22 Air gate valve
- 23 Pump pressure adjustment
- 24 Engine protection

Two types of burner failure may occur:

Control box lock-out: if the control box 19)(A) pushbutton (**red led**) lights up, it indicates that the burner is in lock-out.

To reset, hold the pushbutton down for between 1 and 3 seconds.

Motor trip: release by pressing the pushbutton on thermal cutout 17)(A).

PACKAGING-WEIGHT (B)

Approximate measurements

- The burner is shipped in cardboard box with the maximum dimensions shown in table (B).
- The weight of the burner complete with packaging is indicated in table (B).

MAX. DIMENSIONS (C)

Approximate measurements.

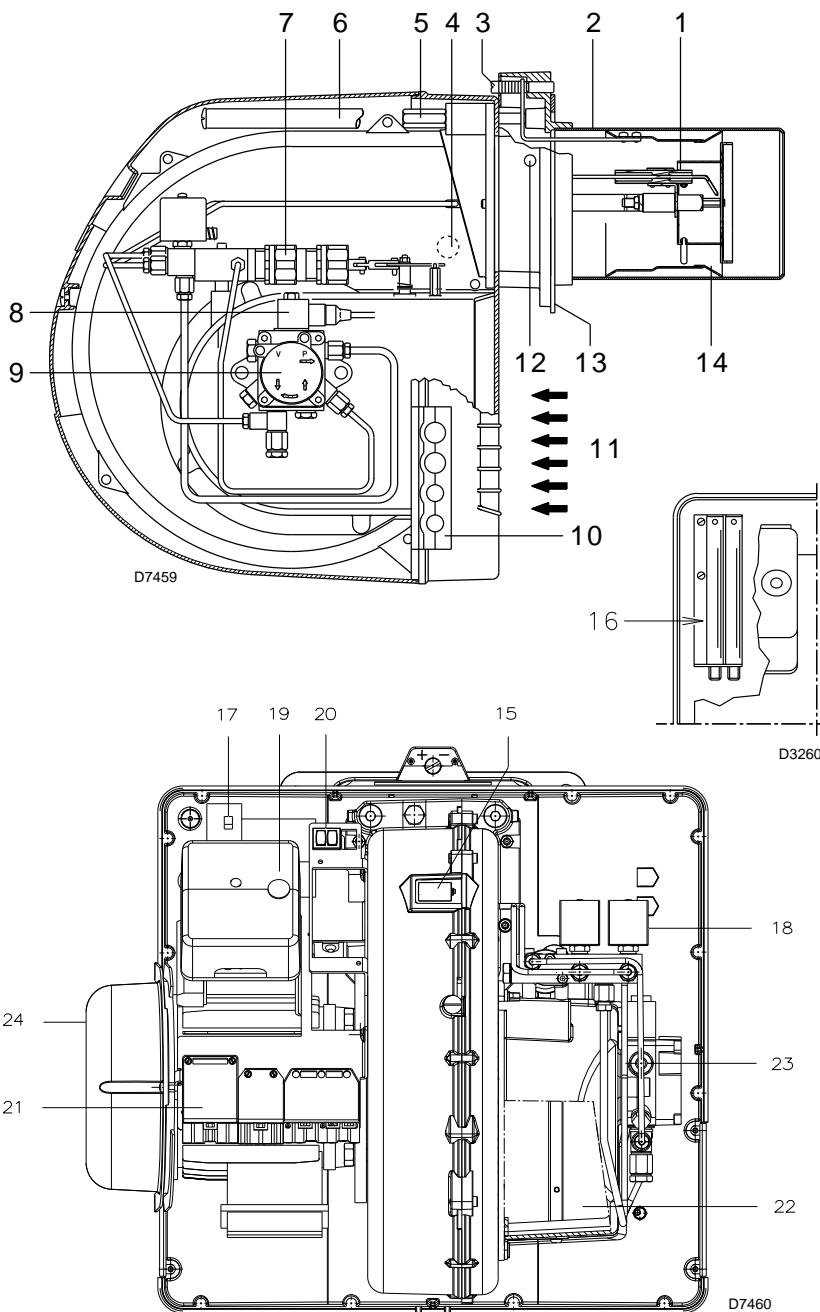
The maximum dimensions of the burner are given in (C).

Bear in mind that inspection of the combustion head requires the burner to be opened and the rear part withdrawn on the slide bars.

The maximum dimension of the burner, without casing, when open is give by measurement I.

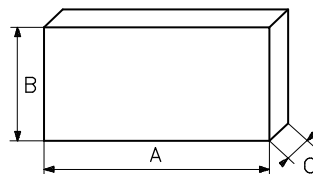
STANDARD EQUIPMENT

- 2 - Flexible hoses
- 2 - Gaskets for flexible hoses
- 2 - Nipples for flexible hoses
- 1 - Thermal insulation screen
- 2 - Extensions 16)(A) for slide bars 6)(A) (for model with 385 mm blast tube)
- 4 - Screws to secure the burner flange to the boiler: M 12 x 35
- 4 - Fairleads for electrical connections
- 1 - Engine protection (with fixing screws)
- 1 - Plugs unit
- 1 - Instruction booklet
- 1 - Spare parts list



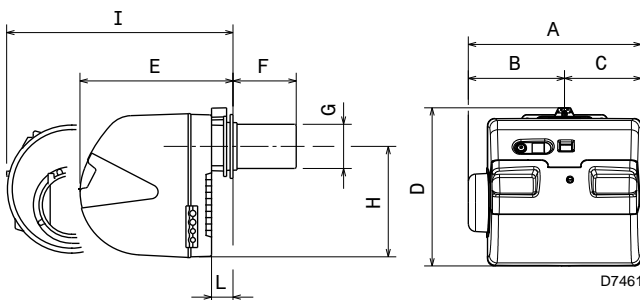
(A)

mm	A	B	C	kg
RL 64 MZ	1200	520	580	42



(B)

D88

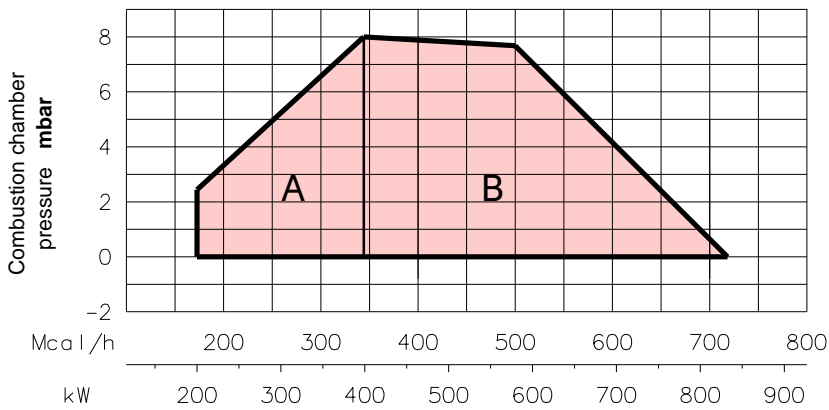


D7461

mm	A	B	C	D	E	F ₍₁₎	G	H	I ₍₁₎	L
RL 64 MZ	533	300	238	490	477	250 - 385	179	335	680 - 815	60

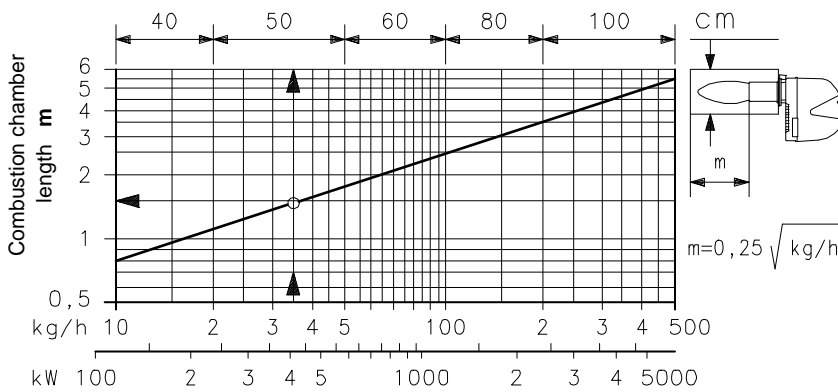
(1) Blast tube: short - lang

(C)



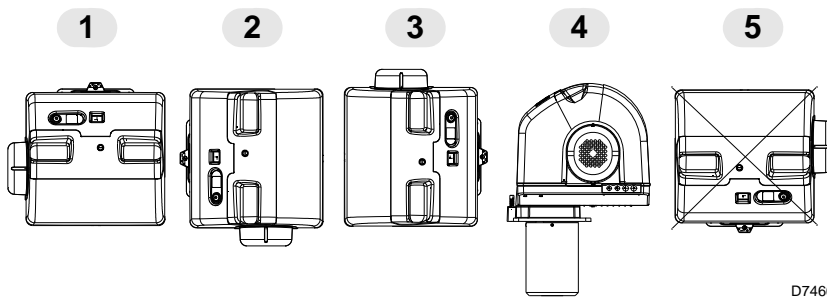
(A)

D7465



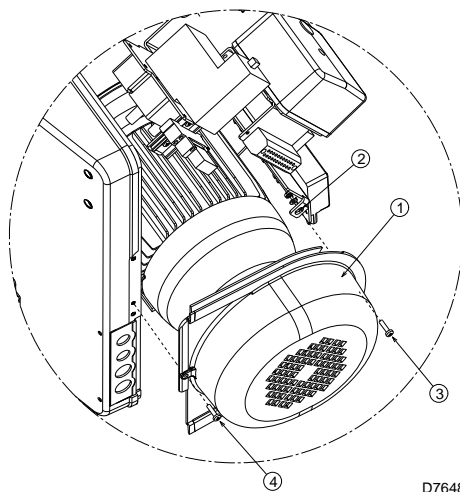
(B)

D454



(C)

D7466



(D)

D7648

FIRING RATES (A)

The burners can work in two ways: one-stage and two-stage.

1st stage DELIVERY must be selected within area A of the adjacent diagrams.

2nd stage DELIVERY must be selected within area B. This area provides the maximum delivery of the burner in relation to the pressure in the combustion chamber.

The work point may be found by plotting a vertical line from the desired delivery and a horizontal line from the pressure in the combustion chamber. The intersection of these two lines is the work point which must lie within area B.

Important

The FIRING RATE area values have been obtained considering a surrounding temperature of 20 °C, and an atmospheric pressure of 1000 mbar (approx. 100 m above sea level) and with the combustion head adjusted as shown on page 6.

TEST BOILER (B)

The firing rate was set in relation to special test boilers in accordance with the methods defined in EN 267 standards.

Figure (B) indicates the diameter and length of the test combustion chamber.

Example: Delivery 35 kg/hour:
diameter = 50 cm; length = 1.5 m.

Whenever the burner is operated in a much smaller commercially-available combustion chamber, a preliminary test should be performed.

INSTALLATION

⚠ THE BURNER MUST BE INSTALLED IN CONFORMITY WITH LEGISLATION AND LOCAL STANDARDS.

WORKING POSITION (C)

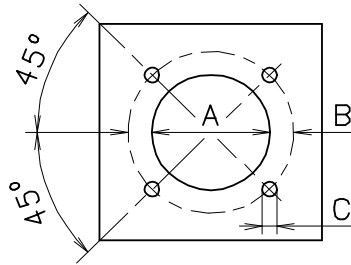
⚠ The burner is designed to work only in the positions 1, 2, 3 and 4.

Installation 1 is preferable, as it is the only one that allows the maintenance operations as described in this manual. Installations 2, 3 and 4 allow the working, but make the operations of maintenance and checking of the combustion head more difficult page 12.

⊘ Any other position could compromise the correct working of the appliance. Installation 5 is forbidden, for safety reasons.

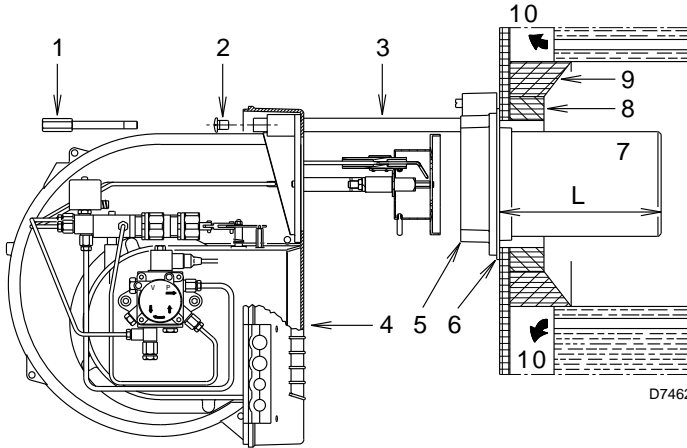
⚠ BEFORE ASSEMBLING THE CASING, IT IS NECESSARY TO FIX THE ENGINE PROTECTION SUPPLIED (1)(D) ONTO THE BRACKET (2)(D), USING THE APPROPRIATE SCREWS (3)(D) WITH A NUT AND A WASHER. FIX THE BRACKET TO THE FRONT SHIELD OF THE BURNER, USING THE SCREWS (4)(D).

mm	A	B	C
RL 64 MZ	185	275-325	M12



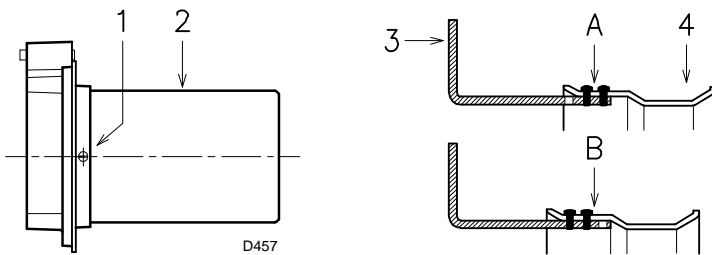
(A)

D455



D7462

(B)



D457

(C)

60°	GPH	kg/h (1)			kW 12 bar
		10 bar	12 bar	14 bar	
RL 64 MZ	4.00	15.4	17.0	18.4	201.6
	4.50	17.3	19.1	20.7	226.5
	5.00	19.2	21.2	23.1	251.4
	5.50	21.1	23.3	25.4	276.3
	6.00	23.1	25.5	27.7	302.4
	6.50	25.0	27.6	30.0	327.3
	7.00	26.9	29.7	32.3	352.3
	7.50	28.8	31.8	34.6	377.2
	8.00	30.8	33.9	36.9	402.1
	8.30	31.9	35.2	38.3	417.5
	8.50	32.7	36.1	39.2	428.2
	9.00	34.6	38.2	41.5	453.1
	9.50	36.5	40.3	43.8	478.0
	10.0	38.4	42.4	46.1	502.9
	10.5	40.4	44.6	48.4	529.0
	11.0	42.3	46.7	50.7	553.9
	12.0	46.1	50.9	55.3	603.7
	12.3	47.3	52.2	56.7	619.1
	13.0	50.0	55.1	59.9	653.5
	13.8	53.1	58.5	63.3	693.8
14.0	53.8	59.4	64.5	704.5	
15.0	57.7	63.6	69.2	754.3	
15.3	58.8	64.9	70.5	769.7	
16.0	61.5	67.9	73.8	805.3	
17.0	65.4	72.1	78.4	855.1	

(1) light oil: density 0.84 kg/dm³ - viscosity 4.2 cSt/20 °C - temperature 10 °C

(D)

BOILER PLATE (A)

Drill the combustion chamber locking plate as shown in (A).

The position of the threaded holes can be marked using the thermal screen supplied with the burner.

BLAST TUBE LENGTH (B)

The length of the blast tube must be selected according to the indications provided by the manufacturer of the boiler, and in any case it must be greater than the thickness of the boiler door complete with its fettling. The range of lengths available, L, is as follows:

Blast tube 7):

- short 250
- long 385

For boilers with front flue passes 10) or flame inversion chambers, protective fettling in refractory material 8) must be inserted between the boiler's fettling 9) and the blast tube 7).

This protective fettling must not compromise the extraction of the blast tube.

For boilers having a water-cooled front the refractory fettling 8)-9)(B) is not required unless it is expressly requested by the boiler manufacturer.

SECURING THE BURNER TO THE BOILER (B)

Disassemble the blast tube 7) from the burner 4) by proceeding as follows:

- Remove the screws 2) from the two slide bars 3).
- Remove the screw 1) fixing the burner 4) to the flange 5).
- Withdraw the blast tube 7) complete with flange 5) and slide bars 3).

Secure flange 5)(B) to the boiler plate interposing the supplied gasket 6). Use the 4 supplied screws provided after having protected the thread with anticruffing products (high-temperature grease, compounds, graphite).

The burner-boiler seal must be airtight.

CHOICE OF NOZZLES FOR 1st AND 2nd STAGE

Both nozzles must be chosen from among those listed in table (D).

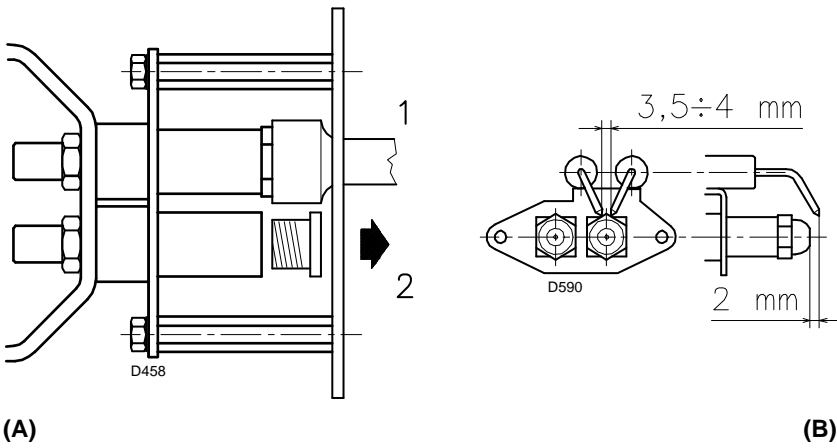
The first nozzle determines the delivery of the burner in the 1st stage.

The second nozzle works together with the 1st nozzle to determine the delivery of the burner in the 2nd stage.

The deliveries of the 1st and 2nd stages must be contained within the value range indicated on page 2. Use nozzles with a 60° spray angle at the recommended pressure of 12 bar

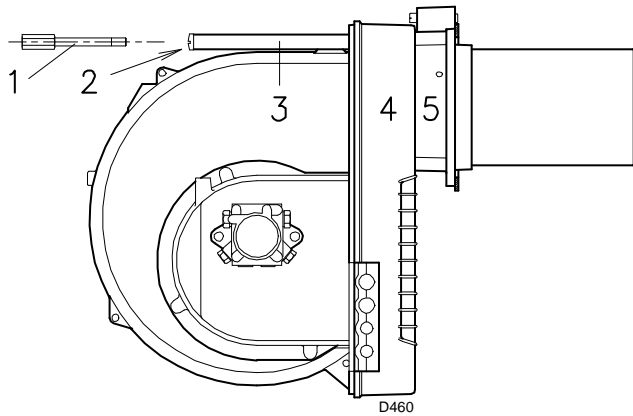
The two nozzles usually have equal deliveries, but the 1st stage nozzle may have the following specifications if required:

- a delivery less than 50% of the total delivery whenever the back-pressure peak must be reduced at the moment of firing;
- a delivery higher than 50% of the total delivery whenever the combustion during the 1st stage must be improved.

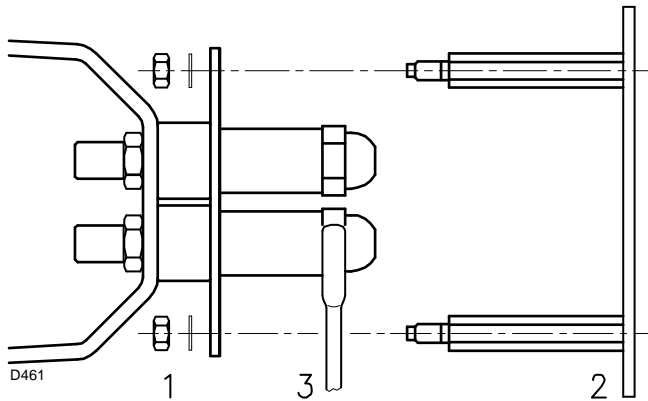


(A)

(B)

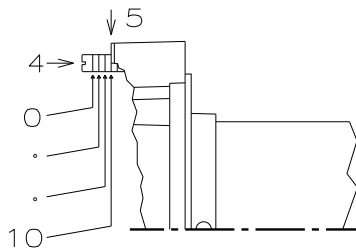


(C)



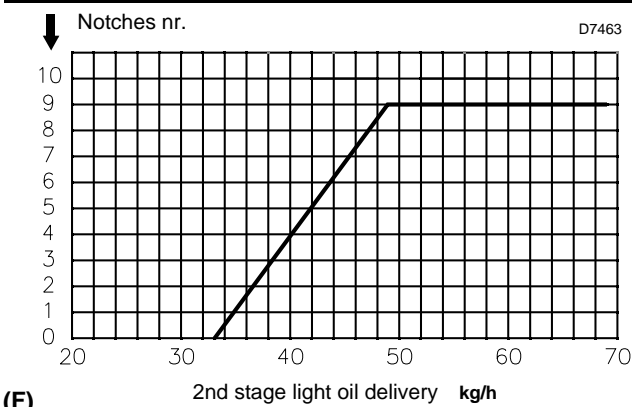
(D)

COMBUSTION HEAD SETTING



(E)

D7469



(F)

Example

Boiler output = 635 kW - efficiency 90 %

Output required by the burner =

$$635 : 0.9 = 705 \text{ kW}$$

$$705 : 2 = 352.5 \text{ kW per nozzle}$$

therefore, two equal, 60°, 12 bar nozzles are required:

$$1^\circ = 7.00 \text{ GPH} - 2^\circ = 7.00 \text{ GPH},$$

or the following two different nozzles:

$$1^\circ = 6.00 \text{ GPH} - 2^\circ = 8.00 \text{ GPH},$$

or:

$$1^\circ = 8.00 \text{ GPH} - 2^\circ = 6.00 \text{ GPH}.$$

NOZZLE ASSEMBLY

At this stage of installation the burner is still disassembled from the blast tube; it is therefore possible to fit two nozzles with the box spanner 1)(A) (16 mm), after having removed the plastic plugs 2)(A), fitting the spanner through the central hole in the flame stability disk. Do not use any sealing products such as gaskets, sealing compound, or tape. Be careful to avoid damaging the nozzle sealing seat. The nozzles must be screwed into place tightly but not to the maximum torque value provided by the wrench.

The nozzle for the 1st stage of operation is the one lying beneath the firing electrodes fig. (B).

Make sure that the electrodes are positioned as shown in fig. (B).

Finally remount the burner 4)(C) to the slide bars 3) and slide it up to the flange 5), keeping it slightly raised to prevent the flame stability disk from pressing against the blast tube.

Tighten the screws 2) on the slide bars 3) and screw 1) that attaches the burner to the flange.

If it proves necessary to change a nozzle with the burner already fitted to the boiler, proceed as outlined below:

- Retract the burner on its slide bars as shown in fig. (B)p.5.
- Remove the nuts 1)(D) and the disk 2).
- Use spanner 3)(D) to change the nozzles.

COMBUSTION HEAD SETTING

The setting of the combustion head depends exclusively on the delivery of the burner in the 2nd stage - in other words, the combined delivery of the two nozzles selected on page 6.

Turn screw 4)(E) until the notch shown in diagram (F) is level with the front surface of flange 5)(E).

Example:

The RL 64 MZ model with two 7.00 GPH nozzles and 12 bar pump pressure.

Find the delivery of the two 7.00 GPH nozzles in table (D), page 5:

$$29.7 + 29.7 = 59.4 \text{ kg/h}.$$

Diagram (F) indicates that for a delivery of 59.4 kg/h the RL 64 MZ model requires the combustion head to be set to approx. 9 notches, as shown in fig. (E).

HYDRAULIC SYSTEM

FUEL SUPPLY

Double-pipe circuit (A)

The burner is equipped with a self-priming pump which is capable of feeding itself within the limits listed in the table at the side.

The tank higher than the burner A

The distance "P" must not exceed 10 meters in order to avoid subjecting the pump's seal to excessive strain; the distance "V" must not exceed 4 meters in order to permit pump self-priming even when the tank is almost completely empty.

The tank lower than the burner B

Pump depression values higher than 0.45 bar (35 cm Hg) must not be exceeded because at higher levels gas is released from the fuel, the pump starts making noise and its working life-span decreases.

It is good practice to ensure that the return and suction lines enter the burner from the same height; in this way it will be less probable that the suction line fails to prime or stops priming.

The loop circuit

A loop circuit consists of a loop of piping departing from and returning to the tank with an auxiliary pump that circulates the fuel under pressure. A branch connection from the loop goes to feed the burner. This circuit is extremely useful whenever the burner pump does not succeed in self-priming because the tank distance and/or height difference are higher than the values listed in the table.

Key (A)

H = Pump/Foot valve height difference

L = Piping length

∅ = Inside pipe diameter

1 = Burner

2 = Pump

3 = Filter

4 = Manual on/off valve

5 = Suction line

6 = Foot valve

7 = Rapid closing manual valve remote controlled (only Italy)

8 = On/off solenoid valve (only Italy)

9 = Return line

10 = Check valve (only Italy)

HYDRAULIC CONNECTIONS (B)

The pumps are equipped with a by-pass that connects return line with suction line. The pumps are installed on the burner with the by-pass closed by screw 6(B)p.10.

It is therefore necessary to connect both hoses to the pump.

The pump will break down immediately if it is run with the return line closed and the by-pass screw inserted.

Remove the plugs from the suction and return connections of the pump.

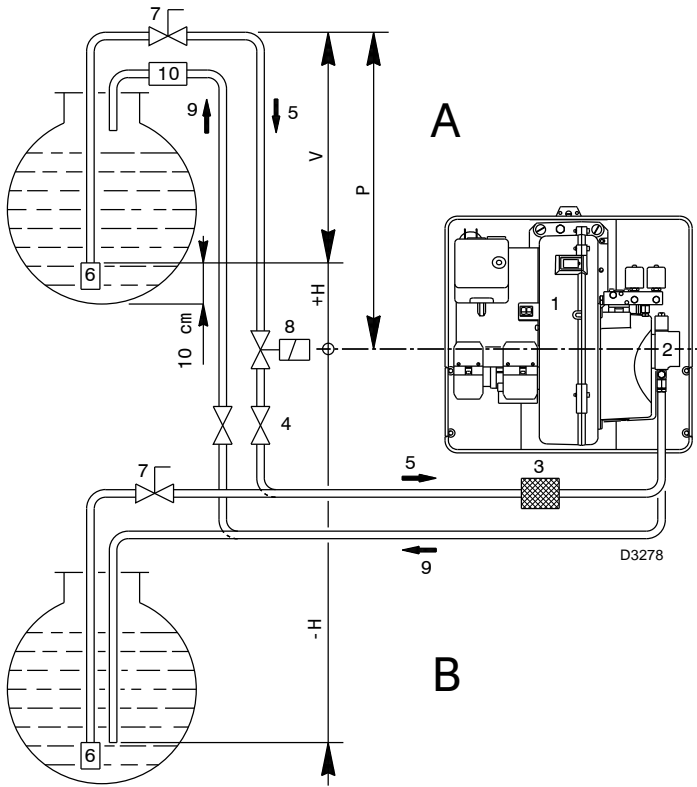
Insert the hose connections with the supplied seals into the connections and screw them down.

Take care that the hoses are not stretched or twisted during installation.

Route the hoses through the holes in the plate, preferably using those on the rh side, fig. (B): unscrew the screws 1), now divide the insert piece into its two parts 2) and 3) and remove the thin diaphragm blocking the two passages 4).

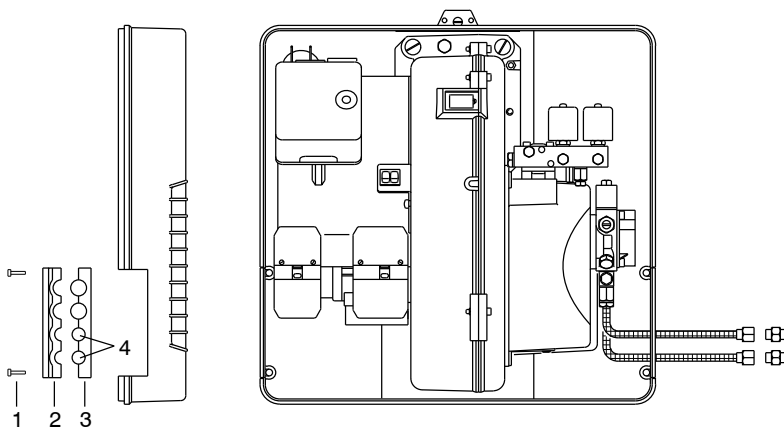
Install the hoses where they cannot be stepped on or come into contact with hot surfaces of the boiler.

Now connect the other end of the hoses to the supplied nipples, using two wrenches, one to hold the nipple steady while using the other one to turn the rotary union on the hose.



+ H - H (m)	L (m)		
	∅ (mm)		
	10	12	14
+ 4.0	51	112	150
+ 3.0	45	99	150
+ 2.0	39	86	150
+ 1.0	32	73	144
+ 0.5	29	66	132
0	26	60	120
- 0.5	23	54	108
- 1.0	20	47	96
- 2.0	13	34	71
- 3.0	7	21	46
- 4.0	-	8	21

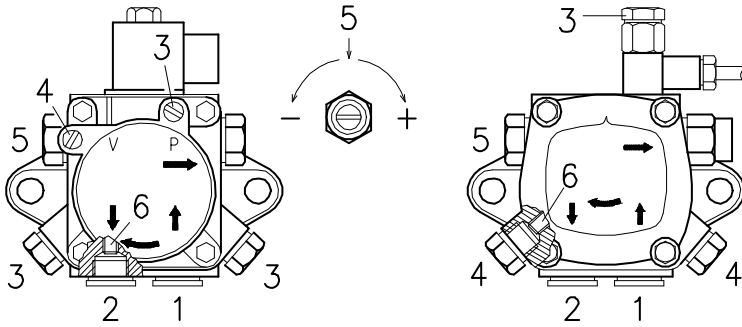
(A)



(B)

D3279

SUNTEC AL 95 C



D706

PUMP (A)

- 1 - Suction G 1/4"
- 2 - Return G 1/4"
- 3 - Pressure gauge attachment G 1/8"
- 4 - Vacuum meter attachment G 1/8"
- 5 - Pressure adjustment screw
- 6 - By-pass screw

- A - Min. delivery rate at 12 bar pressure
- B - Delivery pressure range
- C - Max. suction depression
- D - Viscosity range
- E - Light oil max. temperature
- F - Max. suction and return pressure
- G - Pressure calibration in the factory
- H - Filter mesh width

PUMP PRIMING

- Before starting the burner, make sure that the tank return line is not clogged. Obstructions in the line could cause the sealing organ located on the pump shaft to break. (The pump leaves the factory with the by-pass closed).
- In order for self-priming to take place, one of the screws 3)(A) of the pump must be loosened in order to bleed off the air contained in the suction line.
- Start the burner by closing the control devices and with switch 1)(B)p.9 in the "ON" position. The pump must rotate in the direction of the arrow marked on the cover.
- The pump can be considered to be primed when the light oil starts coming out of the screw 3). Stop the burner: switch 1)(B)p.9 set to "OFF" and tighten the screw 3).

The time required for this operation depends upon the diameter and length of the suction tubing. If the pump fails to prime at the first starting of the burner and the burner locks out, wait approx. 15 seconds, reset the burner, and then repeat the starting operation as often as required. After 5 or 6 starting operations allow 2 or 3 minutes for the transformer to cool.

Do not illuminate the photocell or the burner will lock out; the burner should lock out anyway about 10 seconds after it starts.

Important: the a.m. operation is possible because the pump is already full of fuel when it leaves the factory. If the pump has been drained, fill it with fuel through the opening on the vacuum meter prior to starting; otherwise, the pump will seize. Whenever the length of the suction piping exceeds 20-30 meters, the supply line must be filled using a separate pump.

PUMP		AL 95 C
A	kg/h	107
B	bar	10 - 20
C	bar	0.45
D	cSt	2 - 12
E	°C	60
F	bar	2
G	bar	12
H	mm	0.150

(A)

BURNER CALIBRATION

FIRING

Set switch 1)(B) to "ON".

During the first firing, during the passage from the 1st to the 2nd stage, there is a momentary lowering of the fuel pressure caused by the filling of the 2nd stage nozzle tubing. This lowering of the fuel pressure can cause the burner to lock-out and can sometimes give rise to pulsations.

Once the following adjustments have been made, the firing of the burner must generate a noise similar to the noise generated during operation. If one or more pulsations or a delay in firing in respect to the opening of the light oil solenoid valve occur, see the suggestions provided on p. 14: causes 34 to 42.

OPERATION

The optimum calibration of the burner requires an analysis of the flue gases at the boiler outlet and interventions on the following points:

• 1st and 2nd nozzles

See the information listed on page 5.

• Combustion head

The adjustment of the combustion head already carried out need not be altered unless the 2nd stage delivery of the burner is changed.

• Pump pressure

12 bar: This is the pressure calibrated in the factory which is usually sufficient for most purposes. Sometimes, this pressure must be adjusted to: **10 bar** in order to reduce fuel delivery. This adjustment is possible only if the surrounding temperature remains above 0°C. Never calibrate to pressures below 10 bar, at which pressures the cylinders may have difficulty in opening; **14 bar** in order to increase fuel delivery or to ensure firings even at temperatures of less than 0°C.

In order to adjust pump pressure, use the screw 5)(A), p. 8.

• 1st stage fan air gate valve

Keep the burner operating at 1st stage by setting the switch 2)(B) to the 1st stage position. Opening of the air gate valve 1)(A) must be adjusted in proportion to the selected nozzle: the index 7)(A) must be aligned with the specified in table (C). This adjustment is achieved by turning the hex element 4):

- in rh direction (- sign) the opening is reduced;
- in lh direction (+ sign) the opening increases.

Example

1st stage nozzle 4.00 GPH:

26° notch aligned with index 7)(A).

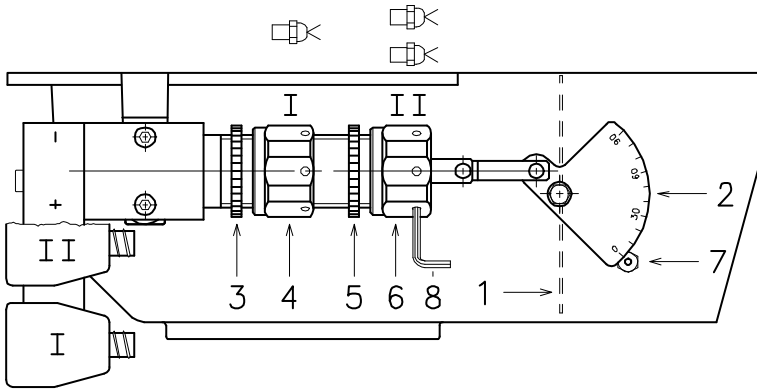
When the adjustment is terminated lock the hex element 4) with the ring nut 3).

• 2nd stage fan air gate valve

Set switch 2)(B) to the 2nd stage position and adjust the air gate valve 1)(A) by turning the hex element 6)(A), after having loosened the ring nut 5)(A).

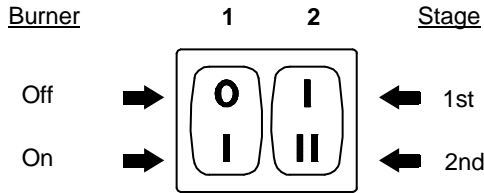
Air pressure at attachment 1)(E) must be approximately the same as the pressure specified in table (D) plus the combustion chamber pressure measured at attachment 2)(E). Refer to the example in the adjacent figure.

NOTE: in order to facilitate adjustment of hex elements 4) and 6)(A), use a 3 mmc Allen key 8)(A).



(A)

D468



(B)

D469

RL 64 MZ	
GPH	α
4.00	26
4.50	28
5.00	31
5.50	33
6.00	35
6.50	36
7.00	37

1st STAGE

α = Notch Nr.

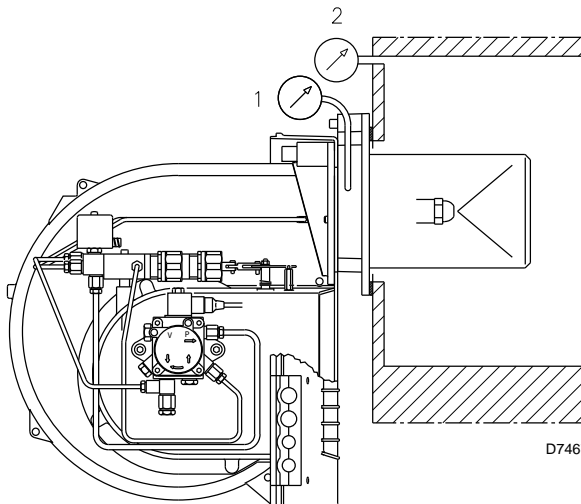
(C)

RL 64 MZ	
kg/h	mbar
33	4.7
37	4.2
41	3.7
45	3.2
49	2.6
53	3.2
57	4.2
60	5.1
63	6.0
66	6.4
69	7.3

2nd STAGE

mbar = air pressure in 1) with zero pressure in 2)

(D)



D7467

(E)

BURNER OPERATION

BURNER STARTING (A) - (B)

Starting phases with progressive time intervals shown in seconds:

- Control device TL closes.
- After about 3s:
- 0 s : The control box starting cycle begins.
- 2 s : The fan motor starts.
- 3 s : The ignition transformer is connected.

The pump 3) sucks the fuel from the tank through the piping 1) and the filter 2) and pumps it under pressure to delivery. The piston 4) rises and the fuel returns to the tank through the piping 5) - 7). The screw 6) closes the by-pass heading towards suction and the solenoid valves 8) - 11) - 16), de-energized, close the passage to the nozzles.

The hydraulic cylinder 15), piston A, opens the air gate valve: pre-purging begins with the 1st stage air delivery.

- 22 s : Solenoid valves 8) and 16) open and the fuel passes through the piping 9) and filter 10) and is then sprayed out through the nozzle, igniting when it comes into contact with the spark. This is the 1st stage flame.
- 29 s : The ignition transformer switches off.
- 36 s : If the control device TR is closed or has been replaced by a jumper wire, the 2nd stage solenoid valve 11) is opened and the fuel enters the valve 12) and raises the piston which opens two passages: one to piping 13), filter 14), and the 2nd stage nozzle, and the other to the cylinder 15), piston B, that opens the fan air gate valve in the 2nd stage. The starting cycle comes to an end.

STEADY STATE OPERATION

System equipped with one control device TR
Once the starting cycle has come to an end, the command of the 2nd stage solenoid valve passes on to the control device TR that controls boiler temperature or pressure.

- When the temperature or the pressure increases until the control device TR opens, solenoid valve 11) closes, and the burner passes from the 2nd to the 1st stage of operation.
- When the temperature or pressure decreases until the control device TR closes, solenoid valve 11) opens, and the burner passes from the 1st to the 2nd stage of operation, and so on.
- The burner stops when the demand for heat is less than the amount of heat delivered by the burner in the 1st stage. In this case, the control device TL opens, and solenoid valves 8)-16) close, the flame immediately goes out. The fan's air gate valve closes completely.

Systems not equipped with control device TR (jumper wire installed)

The burner is fired as described in the case above. If the temperature or pressure increase until control device TL opens, the burner shuts down (Section A-A in the diagram).

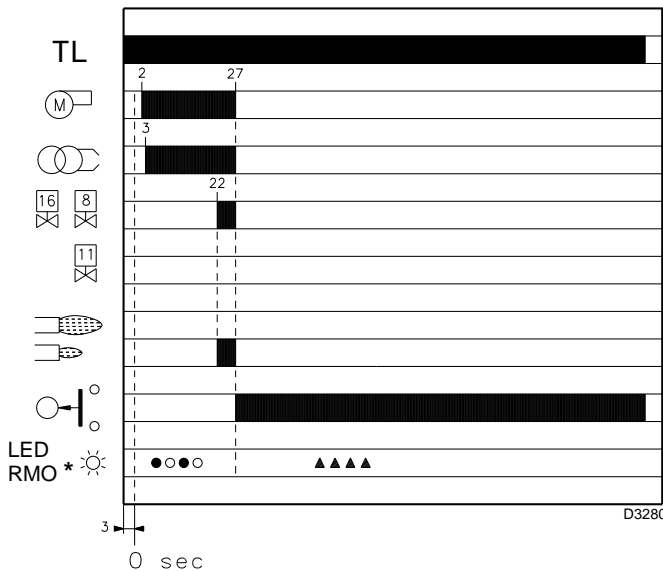
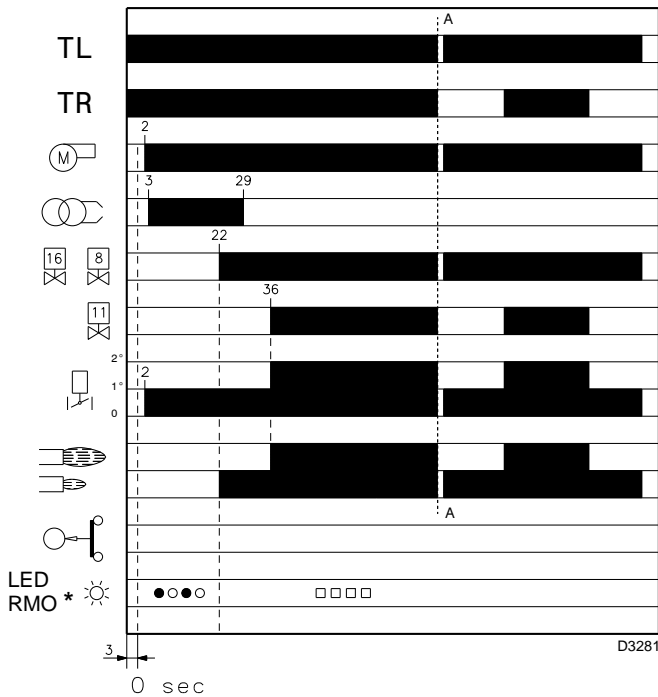
When the solenoid valve 11) de-energizes, the piston 12) closes the passage to the 2nd stage nozzle and the fuel contained in the cylinder 15), piston B, is discharged into the return piping 7).

FIRING FAILURE

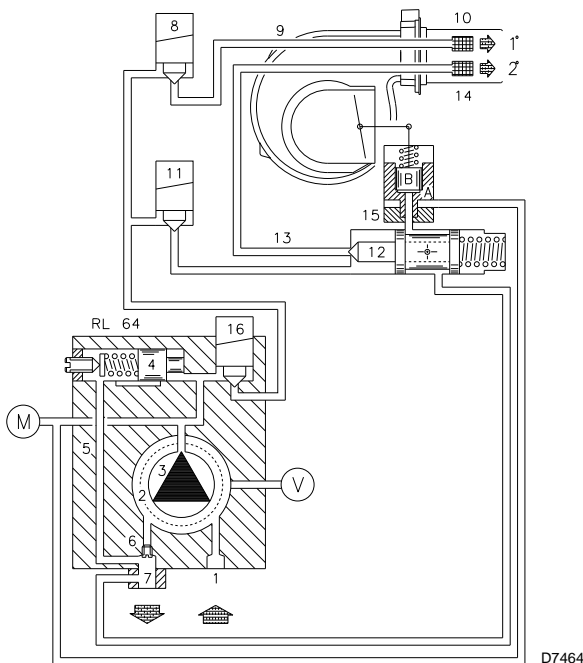
If the burner does not fire, it goes into lock-out within 5 s of the opening of the 1st nozzle valve and 30 s after the closing of control device TL. The control box red pilot light will light up.

UNDESIRABLE SHUTDOWN DURING OPERATION

If the flame goes out during operation, the burner shuts down automatically within 1 second and automatically attempts to start again by repeating the starting cycle.

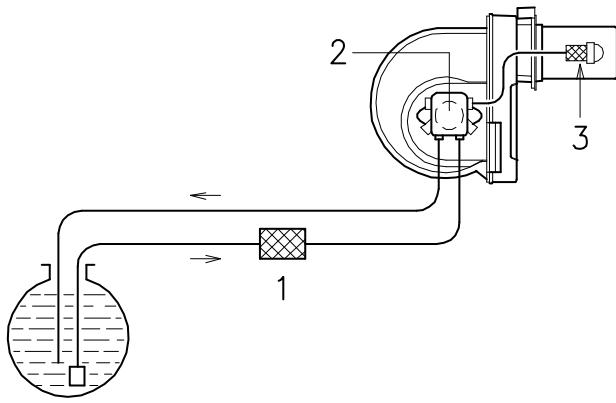


(A)



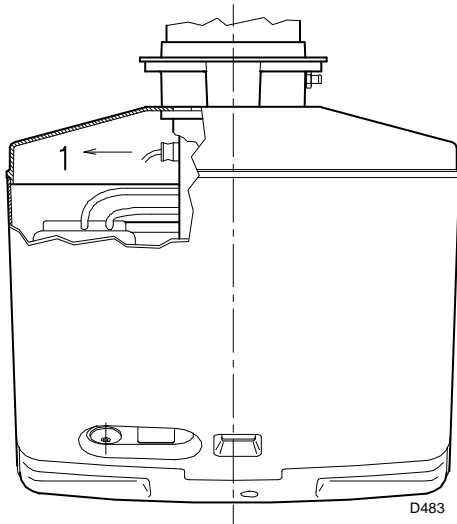
(B)

D7464



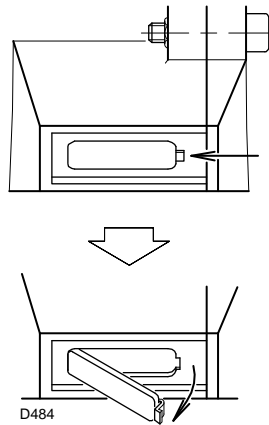
(A)

D482



(B)

D483



(C)

D484

FINAL CHECKS

- **Obscure the photocell and switch on the control devices:** the burner should start and then lock-out about 5 s after opening of the 1st nozzle operation valve.
- **Illuminate the photocell and switch on the control devices:** the burner should start and then go into lock-out after about 10 s.
- **Obscure the photocell while the burner is in 2nd stage operation,** the following must occur in sequence: flame extinguished within 1 s, pre-purging for about 20 s, sparking for about 5 s, burner goes into lock-out.
- **Switch off control device TL followed by control device TS while the burner is operating:** the burner should stop.

MAINTENANCE

⚠ The burner requires periodic maintenance carried out by a qualified and authorised technician **in conformity with legislation and local standards.**

⚠ Periodic maintenance is essential for the reliability of the burner, avoiding the excessive consumption of fuel and consequent pollution.

⚠ Before carrying out any cleaning or control, always switch off the electrical supply to the burner, using the main switch of the system.

Combustion

The optimum calibration of the burner requires an analysis of the flue gases. Significant differences with respect to the previous measurements indicate the points where more care should be exercised during maintenance.

Pump

The delivery pressure must be stable at 12 bar.

The depression must be less than 0.45 bar.

Unusual noise must not be evident during pump operation.

If the pressure is found to be unstable or if the pump runs noisily, the flexible hose must be detached from the line filter and the fuel must be sucked from a tank located near the burner. This measure permits the cause of the anomaly to be traced to either the suction piping or the pump.

If the pump is found to be responsible, check to make sure that the filter is not dirty. The vacuum meter is installed upstream from the filter and consequently will not indicate whether the filter is clogged or not.

Contrarily, if the problem lies in the suction line, check to make sure that the filter is clean and that air is not entering the piping.

Filters (A)

Check the following filter boxes:

- on line 1) • in the pump 2) • at the nozzle 3), and clean or replace as required.

If rust or other impurities are observed inside the pump, use a separate pump to lift any water and other impurities that may have deposited on the bottom of the tank.

Then clean the insides of the pump and the cover sealing surface.

Fan

Check to make sure that no dust has accumulated inside the fan or on its blades, as this condition will cause a reduction in the air flow rate and provoke polluting combustion.

Combustion head

Check to make sure that all the parts of the combustion head are in good condition, positioned correctly, free of all impurities, and that no deformation has been caused by operation at high temperatures.

Nozzles

Do not clean the nozzle openings; do not even open them. The nozzle filters however may be cleaned or replaced as required.

Replace the nozzles every 2-3 years or whenever necessary.

Photocell (B)

Clean the glass cover from any dust that may have accumulated. Photocell 1) is held in position by a pressure fit and can therefore be removed by pulling it outward forcefully.

Flame inspection window (C)

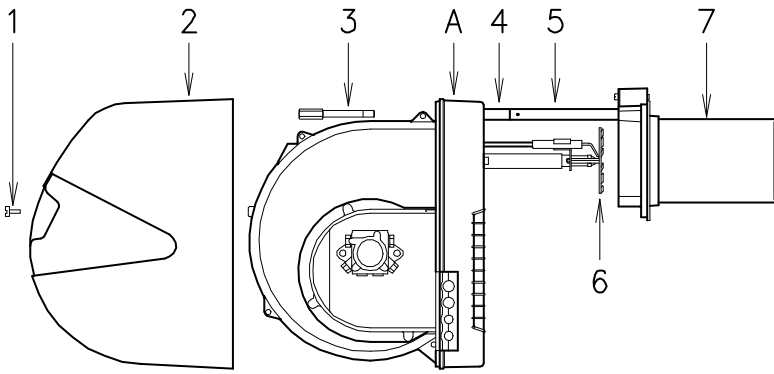
Clean the glass whenever necessary.

Flexible hoses

Check to make sure that the flexible hoses are still in good condition and that they are not crushed or otherwise deformed.

Fuel tank

Approximately every 5 years, or whenever necessary, suck any water or other impurities present on the bottom of the tank using a separate pump.



(D)

D486

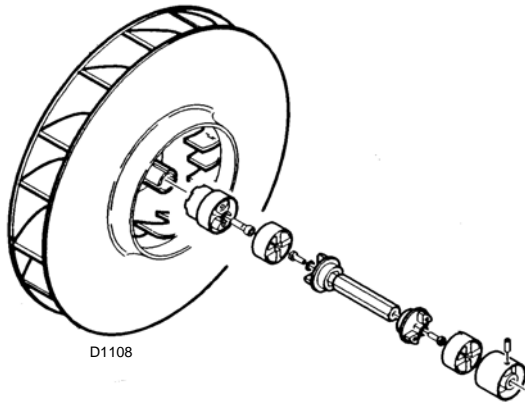
Boiler

Clean the boiler as indicated in its accompanying instructions in order to maintain all the original combustion characteristics intact, especially the flue gas temperature and combustion chamber pressure.

TO OPEN THE BURNER (D)

- Switch off the electrical power
- Remove screw 1 and withdraw the casing 2)
- Unscrew screw 3)
- Fit the two extensions 4) supplied with the burner onto the slide bars 5) (model with 385 mm blast tube)
- Pull part A backward keeping it slightly raised to avoid damaging the disk 6) on blast tube 7).

Fuel pump and/or couplings replacement (E)
In conformity with fig. (E).



D1108

(E)

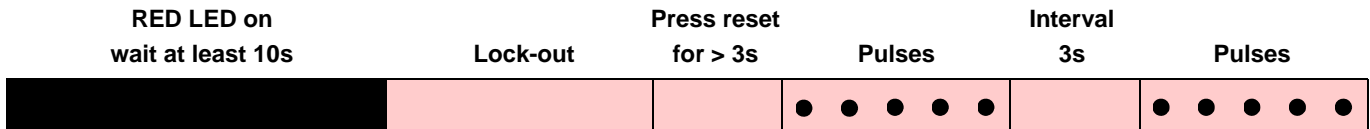
BURNER START-UP CYCLE DIAGNOSTICS

During start-up, indication is according to the following table:

COLOUR CODE TABLE	
Sequences	Colour code
Pre-purging	● ○ ● ○ ● ○ ● ○ ●
Ignition phase	● ○ ● ○ ● ○ ● ○ ●
Operation, flame ok	□ □ □ □ □ □ □ □ □
Operating with weak flame signal	□ ○ □ ○ □ ○ □ ○ □
Electrical supply lower than ~ 170V	● ▲ ● ▲ ● ▲ ● ▲ ●
Lock-out	▲ ▲ ▲ ▲ ▲ ▲ ▲ ▲ ▲
Extraneous light	▲ □ ▲ □ ▲ □ ▲ □ ▲
Key:	○ Off ● Yellow □ Green ▲ Red

RESETTING THE CONTROL BOX AND USING DIAGNOSTICS

The control box features a diagnostics function through which any causes of malfunctioning are easily identified (indicator: **RED LED**). To use this function, you must wait at least 10 seconds once it has entered the safety condition (**lock-out**), and then press the reset button. The control box generates a sequence of pulses (1 second apart), which is repeated at constant 3-second intervals. Once you have seen how many times the light pulses and identified the possible cause, the system must be reset by holding the button down for between 1 and 3 seconds.



The methods that can be used to reset the control box and use diagnostics are given below.

RESETTING THE CONTROL BOX

To reset the control box, proceed as follows:

- Hold the button down for between 1 and 3 seconds. The burner restarts after a 2-second pause once the button is released. If the burner does not restart, you must make sure the limit thermostat is closed.

VISUAL DIAGNOSTICS

Indicates the type of burner malfunction causing lock-out.

To view diagnostics, proceed as follows:

- Hold the button down for more than 3 seconds once the red LED (burner lock-out) remains steadily lit. A yellow light pulses to tell you the operation is done. Release the button once the light pulses. The number of times it pulses tells you the cause of the malfunction, according to the coding system indicated in the table on page 14.

SOFTWARE DIAGNOSTICS

Reports burner life by means of an optical link with the PC, indicating hours of operation, number and type of lock-outs, serial number of control box etc ...

To view diagnostics, proceed as follows:

- Hold the button down for more than 3 seconds once the red LED (burner lock-out) remains steadily lit. A yellow light pulses to tell you the operation is done. Release the button for 1 second and then press again for over 3 seconds until the yellow light pulses again. Once the button is released, the red LED will flash intermittently with a higher frequency: only now can the optical link be activated.

Once the operations are done, the control box's initial state must be restored using the resetting procedure described above.

BUTTON PRESSED FOR	CONTROL BOX STATUS
Between 1 and 3 seconds	Control box reset without viewing visual diagnostics.
More than 3 seconds	Visual diagnostics of lock-out condition: (LED pulses at 1-second intervals).
More than 3 seconds starting from the visual diagnostics condition	Software diagnostics by means of optical interface and PC (hours of operation, malfunctions etc. can be viewed)

The sequence of pulses issued by the control box identifies the possible types of malfunction, which are listed in the table on page 14.

SIGNAL	FAULT	PROBABLE CAUSE	SUGGESTED REMEDY
No blink	The burner does not start	1 - No electrical power supply 2 - A limit or safety control device is open 3 - Control box lock-out 4 - Pump is jammed 5 - Erroneous electrical connections 6 - Defective control box 7 - Defective electrical motor	Close all switches - Check fuses Adjust or replace Reset control box (no sooner than 10 s after the lock-out) Replace Check connections Replace Replace
2 x blinks ● ●	After pre-purge and the safety time, the burner goes to lock-out at the end of the safety time	8 - No fuel in tank; water on tank bottom 9 - Inappropriate head and air damper adjustments 10 - Light oil solenoid valves fail to open (1st stage or safety) 11 - 1st nozzle clogged, dirty, or deformed 12 - Dirty or poorly adjusted firing electrodes 13 - Grounded electrode due to broken insulation 14 - High voltage cable defective or grounded 15 - High voltage cable deformed by high temperature 16 - Ignition transformer defective 17 - Erroneous valves or transformer electrical connections 18 - Control box defective 19 - Pump unprimed 20 - Pump/motor coupling broken 21 - Pump suction line connected to return line 22 - Valves up-line from pump closed 23 - Filters dirty: line - pump - nozzle 24 - Defective photocell or control box 25 - Dirty photocell 26 - 1st stage operation of cylinder is faulty 27 - Motor protection tripped 28 - Defective motor command control device 29 - Missing phase thermal cut-out trips 30 - Incorrect motor rotation direction	Top up fuel level or suck up water Adjust, see page 6 and 9 Check connections; replace coil Replace Adjust or clean Replace Replace Replace and protect Replace Check Replace Prime pump and see "Pump unprimed" Replace Correct connection Open Clean Replace photocell or control box Clean Change the cylinder Reset thermal cut-out Replace Reset thermal cut-out when third phase is re-connected Change motor electrical connections
4 x blinks ● ● ● ●	The burner starts and then goes into lock-out	31 - Photocell short-circuit 32 - Light is entering or flame is simulated	Replace photocell Eliminate light or replace control box
7 x blinks ● ● ● ● ● ● ●	Flame detachment	33 - Poorly adjusted head 34 - Poorly adjusted or dirty firing electrodes 35 - Poorly adjusted fan air gate: too much air 36 - 1st nozzle is too big (pulsation) 37 - 1st nozzle is too small (flame detachment) 38 - 1st nozzle dirty, or deformed 39 - Inappropriate pump pressure 40 - 1st stage nozzle unsuited to burner or boiler 41 - Defective 1st stage nozzle	Adjust, see page 6, fig. (F) Adjust, see page 6, fig. (B) Adjust Reduce 1st nozzle delivery Increase 1st nozzle delivery Replace Adjust to between 10 and 14 bar See Nozzle Table, page 5; reduce 1st stage Replace
	The burner does not pass to 2nd stage	42 - Control device TR does not close 43 - Defective control box 44 - 2nd stage sol. valve coil defective 45 - Piston jammed in valve unit	Adjust or replace Replace Replace Replace entire unit
	Fuel passes to 2nd stage but air remains in 1st	46 - Low pump pressure 47 - 2nd stage operation of cylinder is faulty	Increase Change cylinder
	Burner stops at transition between 1st and 2nd stage. Burner repeats starting cycle.	48 - Nozzle dirty 49 - Photocell dirty 50 - Excess air	Renew nozzle Clean Reduce
	Uneven fuel supply	51 - Check if cause is in pump or fuel supply system	Feed burner from tank located near burner
	Internally rusted pump	52 - Water in tank pump	Suck water from tank bottom with separate pump
	Noisy pump, unstable pressure	53 - Air has entered the suction line - Depression value too high (higher than 35 cm Hg): 54 - Tank/burner height difference too great 55 - Piping diameter too small 56 - Suction filters clogged 57 - Suction valves closed 58 - Paraffin solidified due to low temperature	Tighten connectors Feed burner with loop circuit Increase Clean Open Add additive to light oil
	Pump unprimed after prolonged pause	59 - Return pipe not immersed in fuel 60 - Air enters suction piping	Bring to same height as suction pipe Tighten connectors
	Pump leaks light oil	61 - Leakage from sealing organ	Replace pump
	Smoke in flame - dark Bacharach - yellow Bacharach	62 - Not enough air 63 - Nozzle worn or dirty 64 - Nozzle filter clogged 65 - Erroneous pump pressure 66 - Flame stability spirat dirty, loose, or deformed 67 - Boiler room air vents insufficient 68 - Too much air	Adjust head and fan gate, see page 6 and 9 Replace Clean or replace Adjust to between 10 - 14 bar Clean, tighten in place, or replace Increase Adjust head and fan gate, see page 6 and 9
	Dirty combustion head	69 - Nozzle or filter dirty 70 - Unsuitable nozzle delivery or angle 71 - Loose nozzle 72 - Impurities on flame stability spiral 73 - Erroneous head adjustment or not enough air 74 - Blast tube length unsuited to boiler	Replace See recommended nozzles, page 5 Tighten Clean Adjust, see page 9; open gate valve Contact boiler manufacturer
10 x blinks ● ● ● ● ● ● ● ● ● ●	The burner goes to lock-out	75 - Connection or internal fault 76 - Presence of electromagnetic disturbance	Use the radio disturbance protection kit

STATUS (optional)

STATUS

Accessory available on request.
See page 16.

ASSEMBLY

The burners are preset to accept the Status. To assemble, proceed as follows:

- Connect Status 1) using connector 2) fitted on the bracket 3).
- Fix the support 5) to the Status using the screws 4) supplied in the kit.
- Fix the assembly to the shelf 3) using the screws 6).

The **STATUS** unit has three functions:

1 - BURNER OPERATING HOURS AND THE NUMBER OF FIRINGS ARE SHOWN ON DISPLAY V

Total operating hours

Press button "h1".

2nd stage operating hours

Press button "h2".

1st stage operating hours

Total hours - 2nd stage operating hours

Number of firings

Press button "count".

Resetting operating hours and number of firings

Press the three "reset" buttons simultaneously.

Non-volatile memory

The operating hours and the number of firings will remain in the memory even in the case of electrical power failures.

2 - INDICATES THE TIMES RELATIVE TO THE FIRING STAGE

The leds illuminate in the following sequence, see fig. A:

WITH CONTROL DEVICE TR CLOSED:

- 1 - Burner off, TL open
- 2 - Control device TL closed
- 3 - Motor start:
seconds count starts on read-out V
- 4 - 1st stage valve energized
- 5 - 2nd stage valve energized:
seconds count stops on read-out V
- 6 - 10 seconds after stage 5 the code **||||** will appear on the read-out: this indicates that the starting phase is terminated.

WITH CONTROL DEVICE TR OPEN:

- 1 - Burner off, TL open
- 2 - Control device TL closed
- 3 - Motor start:
seconds count starts on read-out V
- 4 - 1st stage valve energized
- 7 - 30 seconds after stage 4:
seconds count stops on read-out V
- 8 - 10 seconds after stage 7 the code **||||** will appear on the read-out: this indicates that the starting phase is terminated.

The times, in seconds, shown on read-out V, indicate the succession of the various starting stages described on page 10.

3 - IN THE CASE OF BURNER MALFUNCTIONS, THE STATUS PANEL INDICATES THE EXACT TIME AT WHICH THE FAULT OCCURRED.

There are 3 possible combinations of illuminated leds, see fig. (B).

For the causes of the malfunction refer to the numbers shown between brackets; see the legend on page 14 for interpretation of the numbers.

- 1 (9 ÷ 10)
- 2 (11 ÷ 29)
- 3 (32)

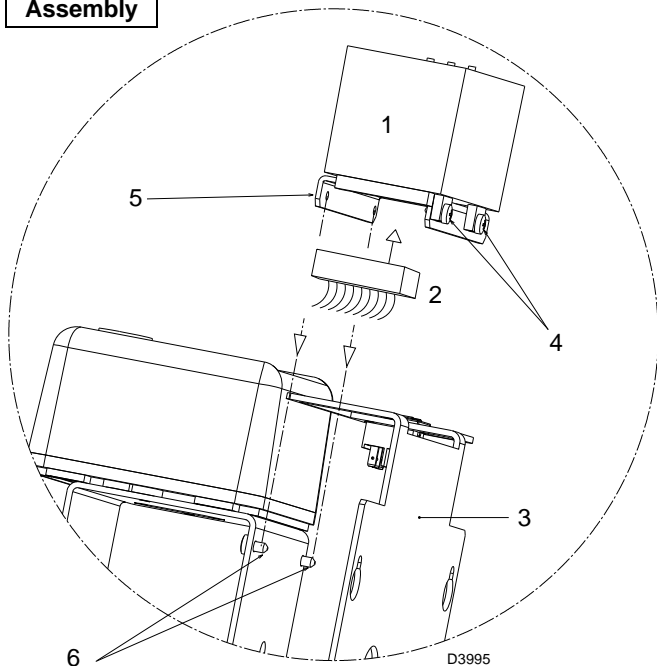
Key to symbols:

- **POWER** = Power present
- (M) = Fan motor blocked (red)
- (flame) = Burner lock-out (red)
- (flame) = Not used
- (flame) = 1st stage operation
- (flame) = Load level reached (Stand-by), led:

D478

on

Assembly

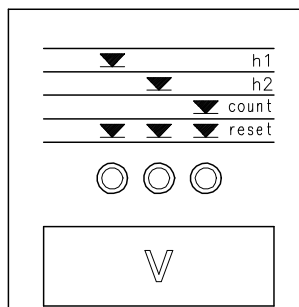
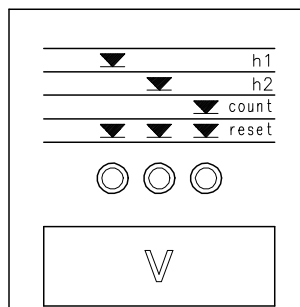


- 1 Status
- 2 Connector
- 3 Bracket of the burner
- 4 Fixing screws
- 5 Support
- 6 Fixing screws

D3995

A

B



	POWER	(M)	(flame)	(flame)	(flame)	(flame)	(flame)	(flame)	(flame)	(flame)
1	●									0
2	●									0
3	●									S 1-2....
4	●								S....
5	●								S
6	●									
7	●								S
8	●									

	POWER	(M)	(flame)	(flame)	(flame)	(flame)	(flame)	(flame)	(flame)	(flame)
1	●									S
2	●							☀		S
3	●							☀		S

☀ = Led flashing

○ = Led illuminated

S = Time in seconds

|||| = Burner start cycle terminated

(A)

ACCESSORIES (optional):

- **STATUS** (see page 15): code **3010322**

- **RADIO DISTURBANCE PROTECTION KIT**

If the burner is installed in places particularly subject to radio disturbance (emission of signals exceeding 10 V/m) owing to the presence of an INVERTER, or in applications where the length of the thermostat connections exceeds 20 metres, a protection kit is available as an interface between the control box and the burner.

BURNER	RL 64 MZ
Code	3010386

- **DEGASSING UNIT**

It may occur that a certain amount of air is contained in the light oil sucked up by the pump. This air may originate from the light oil itself as a consequence of depressurization or air leaking past imperfect seals.

In double-pipe systems, the air returns to the tank from the return pipe; in single-pipe systems, the air remains in circulation causing pressure variations in the pump and burner malfunctions.

For this reason, we advise installing a degassing unit near the burner in single-pipe installations.

Degassing units are provided in two versions:

CODE **3010054** without filter

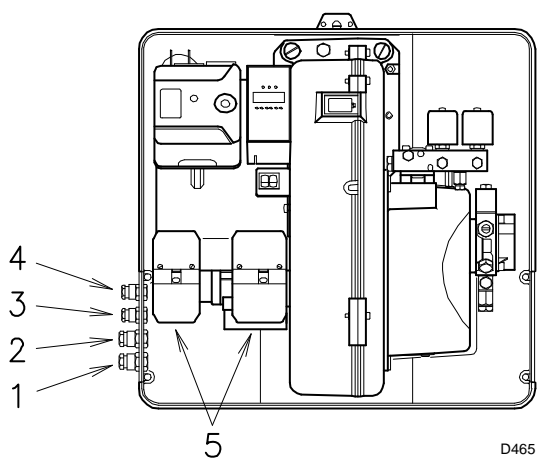
CODE **3010055** with filter

Degassing unit characteristics

- Burner delivery : 80 kg/h max
- Light oil pressure : 0.7 bar max
- Ambient temperature : 40 °C max
- Light oil temperature : 40 °C max
- Attachment connectors : 1/4 inch

- **CLEAN CONTACT KIT: code 3010419**

Electrical connections



NOTES

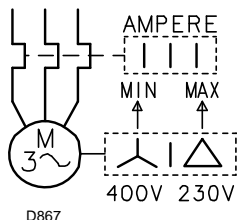
The electrical wirings must be carried out in conformity with the regulations in force in the countries of destination, and by qualified personnel. Riello S.p.A. cannot accept any responsibility for modifications or connections other than those shown in these diagrams.

Use flexible cables, in accordance with the regulation EN 60 335-1.

All the cables to be connected to the burner must pass through cable grommets.

The use of cable grommets can take various forms; the following way is just one possible solution:

- 1 - Pg 11 Three-phase power supply
- 2 - Pg 11 Single-phase power supply
- 3 - Pg 9 Control device TL
- 4 - Pg 9 Control device TR



ADJUSTMENT OF THERMAL CUTOUT

Used to avoid the burning of the motor owing to a strong increase in the absorption, caused by the lack of a phase.

- If the motor is star-driven, **400V**, the cursor must be positioned on "MIN".
 - If it is delta-driven, **230V**, the cursor is positioned on "MAX".
- If the scale of the thermal cutout does not include the absorption of rating of the motor at 400V, the protection is guaranteed anyway.

NOTES

- Burners leave the factory preset for **400 V** power supply. If **230 V** power supply is used, change the motor connection from star to delta and change the setting of the thermal cutout as well.
- The burners have been type-approved for intermittent operation. This means they should compulsorily be stopped at least once every 24 hours to enable the control box to perform checks of its own efficiency at start-up. Burner halts are normally provided for automatically by the boiler load control system.
- The burner is factory set for two-stage operation and it must therefore be connected to the TR remove control device to command light oil valve V2. Alternatively, if single stage operation is required, instead of control device TR install a jumper lead between terminals T6 and T8 of connector X4.



ATTENTION:

- Do not invert the neutral with the phase in the electrical supply line. An inversion would lead to lockout due to ignition failure.
- Replace the components only with original spare parts.

CARACTERÍSTICAS TÉCNICAS página 2
DATOS ELÉCTRICAS2
Versiones constructivas2
Descripción del quemador3
Embalaje - Peso3
Dimensiones3
Forma de suministro3
Gráficos Caudal, Potencia-Sobrepresión4
Caldera de prueba4

INSTALACIÓN5
Posición de funcionamiento5
Placa de caldera5
Longitud tubo llama5
Fijación del quemador a la caldera5
Selección boquillas 1ª y 2ª llama5
Montaje de las boquillas6
Regulación del cabezal de combustión6
Regulación registro ventilador6
Instalación hidráulica7
Bomba8
Regulación del quemador9
Funcionamiento del quemador10
Control final11
Mantenimiento11
Diagnóstico del programa de puesta en marcha13
Desbloqueo de la caja de control y uso de la función de diagnóstico13
Anomalía - Causa Probable - Solución14
Status (suministro bajo demanda)15
Accesorios16

APÉNDICE17
Conexión eléctrico17
Esquema cuadro eléctrico18

Nota

Las figuras que se mencionan en el texto se identifican del modo siguiente:

- 1)(A) =Detalle 1 de la figura A, en la misma página que el texto;
- 1)(A)p.3 =Detalle 1 de la figura A, página Nº 3.

INFORMACIONES SOBRE EL MANUAL DE INSTRUCCIÓN

INTRODUCCIÓN

El manual de instrucción suministrado juntamente al quemador:

- constituye parte integrante y fundamental del producto y no se debe separar del quemador; por lo tanto debe conservarse con cuidado para toda necesidad de consulta y debe acompañar al quemador incluso en caso de entregarse a otro propietario o usuario, o en caso de transferencia a otra instalación. En caso de daño o extravío debe solicitarse otro ejemplar al Servicio Técnico de Asistencia **RIELLO** de la Zona;
- fue realizado para que solo el personal calificado lo use;
- suministra importantes indicaciones y advertencias sobre la seguridad de la instalación, la puesta en funcionamiento, el uso y el mantenimiento del quemador.

ENTREGA DE LA INSTALACIÓN Y DEL MANUAL DE INSTRUCCIÓN

Cuando se entrega la instalación es necesario que:

- El manual de instrucción sea entregado por el proveedor de la instalación al usuario, con la advertencia de que dicho manual debe ser conservado en el local de la instalación del generador de calor.
- En el manual de instrucción figuran:
 - el número de matrícula del quemador;

.....

- la dirección y el número de teléfono del Centro de Asistencia más cercano;

.....
.....
.....

- El proveedor de la instalación informe con precisión al usuario acerca de:
 - el uso de la instalación,
 - eventuales pruebas adicionales necesarias que se deben realizar antes de la activación de la instalación,
- el mantenimiento y la necesidad de controlar la instalación como mínimo una vez al año por parte de un encargado de la Empresa Fabricante o de otro técnico especializado.

Para garantizar un control periódico, **RIELLO** se recomienda estipular un Contrato de Mantenimiento.

Declaración del fabricante			
RIELLO S.p.A. declara que los siguientes productos respetan los valores límite de emisión de los NOx impuestos por la legislación alemana "1. BImSchV versión 26.01.2010".			
Producto	Tipo	Modelo	Potencia
Quemador de gasóleo	974 T	RL 64 MZ	206 - 830 kW

Legnago, 01.02.2012

Ing. G. Conticini
Dirección División Quemadores
RIELLO S.p.A.



CARACTERÍSTICAS TÉCNICAS

MODELO			RL 64 MZ
TIPO			974 T
POTENCIA ⁽¹⁾	llama 2°	kW	391 - 830
		Mcal/h	336 - 714
CAUDAL ⁽¹⁾	llama 2°	kg/h	33 - 70
		kW	206 - 391
	llama 1°	Mcal/h	177 - 296
		kg/h	17,4 - 33
COMBUSTIBLE			GASÓLEO
- Poder Calorífico Inferior		kWh/kg	11,8
		Mcal/kg	10,2 (10.200 kcal/kg)
- Densidad		kg/dm ³	0,82 - 0,85
- Viscosidad a 20 °C		mm ² /s max	6 (1,5 °E - 6 cSt)
FUNCIONAMIENTO			<ul style="list-style-type: none"> Intermitente (mín. 1 paro en 24 horas). 2 llamas (2ª y 1ª) ó 1 llama (todo-nada).
BOMBA	Caudal (a 12 bar)	kg/h	107
	Rango presiones	bar	10 - 20
	Temp. combustible	° C max	60
BOQUILLAS		numero	2
UTILIZACIÓN			Calderas: de agua, a vapor y aceite térmico
TEMPERATURA AMBIENTE		°C	0 - 40
TEMPERATURA AIRE COMBURENTE		°C max	60
CONFORMIDAD DIRECTIVAS CEE			2004/108 - 2006/95 - 92/42 - 2006/42
NIVEL SONORO ⁽²⁾		dBA	76
HOMOLOGACIÓN		CE	0036 0382/07

(1) Condiciones de referencia: Temperatura ambiente 20°C - Presión barométrica 1000 mbar - Altitud sobre el nivel del mar 100 metros.

(2) Presión acústica medida en el laboratorio de combustión del constructor, con quemador funcionando en caldera de prueba a la máxima potencia.

DATOS ELÉCTRICAS

MOTOR IE1

MODELO			RL 64 MZ
ALIMENTACIÓN ELÉCTRICA	V		230 - 400 con Neutro ~ +/-10%
	Hz		50 - Trifásica
MOTOR ELÉCTRICO	rpm		2800
	W		1100
	V		220/240 - 380/415
	A		4,7 - 2,7
TRANSFORMADOR DE ENCENDIDO	V1 - V2		230 V - 2 x 12 kV
	I1 - I2		0,2 A - 30 mA
POTENCIA ELÉCTRICA ABSORBIDA	W max		1800
GRADO DE PROTECCIÓN			IP 44

MOTOR IE2

MODELO			RL 64 MZ
ALIMENTACIÓN ELÉCTRICA	V		230 - 400 con neutro ~ +/-10%
	Hz		50 - trifase
MOTOR ELÉCTRICO	rpm		2880
	W		1100
	V		230/400
	A		4,3 - 2,5
TRANSFORMADOR DE ENCENDIDO	V1 - V2		230 V - 2 x 12 kV
	I1 - I2		0,2 A - 30 mA
POTENCIA ELÉCTRICA ABSORBIDA	W max		1650
GRADO DE PROTECCIÓN			IP 44

VERSIONES CONSTRUCTIVAS

Modelo	Código	Longitud tubo llama mm
RL 64MZ	3470400 - 3470410	250
	3470401 - 3470411	385

DESCRIPCIÓN DEL QUEMADOR (A)

- 1 Electrodo de encendido
- 2 Cabezal de combustión
- 3 Tornillo regulación cabezal de combustión
- 4 Seguridad contra fallo de llama mediante fotorresistencia
- 5 Tornillo fijación del ventilador a la brida
- 6 Guías para abertura del quemador e inspección del cabezal de combustión
- 7 Cilindro hidráulico para regular el registro de aire en la posición de 1ª y 2ª llama.
Cuando el quemador está parado, el registro del aire está completamente cerrado para reducir al mínimo la dispersión térmica de la caldera debido al tiro que toma aire de la boca de aspiración del ventilador.
- 8 Electroválvula de seguridad
- 9 Bomba
- 10 Soporte con 4 orificios para el paso tubos flexibles y eléctricos.
- 11 Entrada de aire en el ventilador
- 12 Toma de presión ventilador
- 13 Brida para la fijación a la caldera
- 14 Disco estabilizador de llama
- 15 Visor llama
- 16 Prolongadores guías 6)
- 17 Contactor motor y relé térmico con pulsador de desbloqueo
- 18 Grupo válvulas 1ª y 2ª llama
- 19 Caja de control con piloto luminoso de bloqueo y pulsador de desbloqueo
- 20 Dos interruptores eléctricos:
 - uno de "marcha-paro" quemador
 - uno para "1ª llama - 2ª llama"
- 21 Conectores para la conexión eléctrica
- 22 Registro de aire
- 23 Regulación presión bomba
- 24 Protección motor

Hay dos posibilidades de bloqueo del quemador:

Bloqueo caja control: la iluminación del pulsador (**led rojo**) de la caja 19)(A) indica que el quemador está bloqueado.

Para desbloquear, oprimir el pulsador durante un tiempo comprendido entre 1 y 3 segundos).
Bloqueo motor: para desbloquear, oprimir el pulsador del relé térmico 17)(A).

EMBALAJE - PESO (B) - Medidas aproximadas

- Los quemadores se expiden en embalaje de cartón, cuyas dimensiones se especifican en la tabla (B).
- El peso del quemador completo con embalaje se indica en la tabla (B).

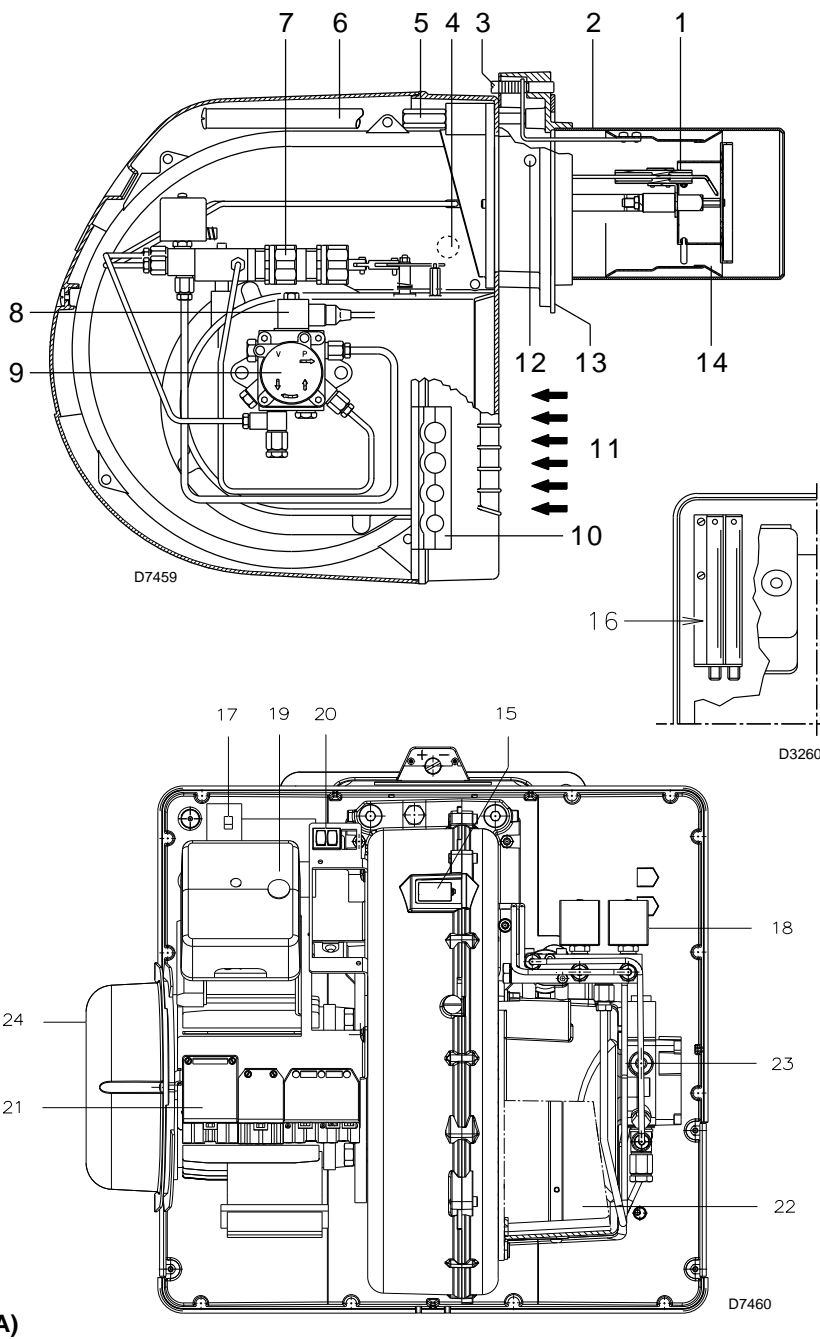
DIMENSIONES MÁXIMAS (C) - Medidas aproximadas

Las dimensiones máximas del quemador se indican en (C).

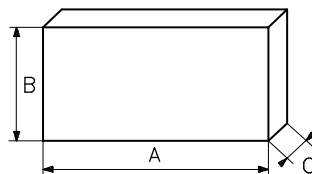
Tener en cuenta que para inspeccionar el cabezal de combustión, el quemador debe abrirse desplazando la parte posterior por las guías. La longitud máxima del quemador abierto, sin envolvente, está indicada por la cota I.

FORMA DE SUMINISTRO

- 2 - Tubos flexibles
- 2 - Juntas para tubos flexibles
- 2 - Rácores para tubos flexibles
- 1 - Junta aislante
- 2 - Prolongadores 25)(A) para guías 6)(A) (solo en modelos con cabezal de 385 mm)
- 4 - Tornillos M 12 x 35 fijación del quemador a la caldera
- 4 - Pasacables conexionado eléctrico
- 1 - Protección motor (con tornillo de fijación)
- 1 - Grupo conectores
- 1 - Instrucciones
- 1 - Lista de recambios

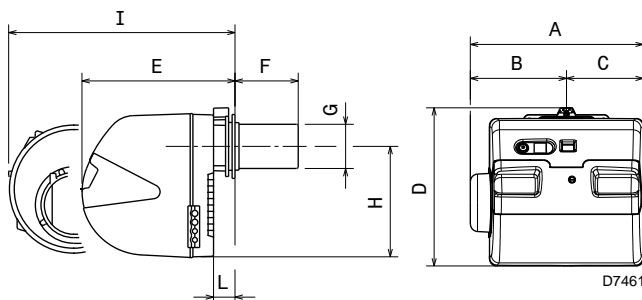


mm	A	B	C	kg
RL 64 MZ	1200	520	580	42



(B)

D88

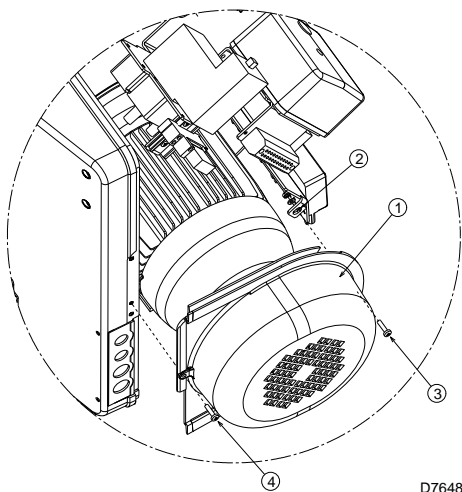
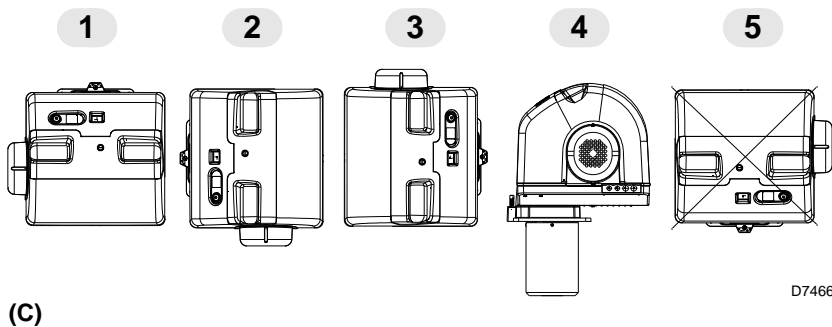
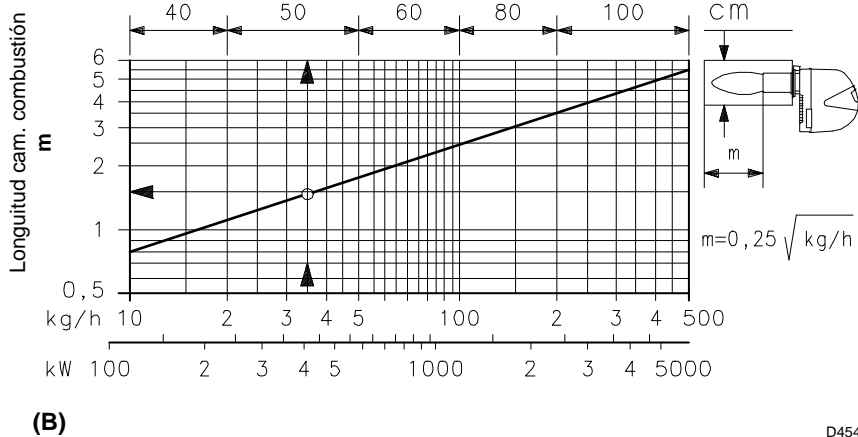
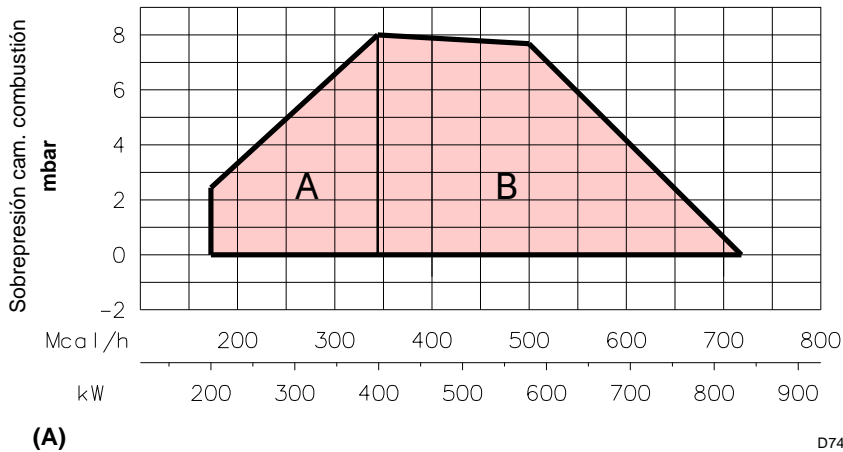


D7461

mm	A	B	C	D	E	F ₍₁₎	G	H	I ₍₁₎	L
RL 64 MZ	533	300	238	490	477	250 - 385	179	335	680 - 815	60

(1) Tubo llama: Normal - Alargado

(C)



GRÁFICOS CAUDAL, POTENCIA-SOBRE-PRESIÓN (A)

Estos quemadores pueden funcionar de dos modos: monollama y billama.

El **CAUDAL en 1ª llama** debe seleccionarse dentro de la zona A del gráfico que hay al margen.

El **CAUDAL en 2ª llama** debe seleccionarse dentro de la zona B. Esta zona proporciona el máximo caudal del quemador en función de la presión que hay en la cámara de combustión.

El punto de trabajo se encuentra trazando una vertical a partir del caudal deseado y una horizontal a partir de la sobrepresión correspondiente en la cámara de combustión. El punto de encuentro de las dos rectas es el punto de trabajo y debe estar en los límites del área B.

Atención:

Estos gráficos se han determinado considerando una temperatura ambiente de 20°C y una presión barométrica de 1000 mbar (aprox. 100 metros sobre el nivel del mar) y con el cabezal de combustión regulado como se indica en la página 6.

CALDERA DE PRUEBA (B)

Los gráficos se han obtenido con calderas de prueba especiales, según el método indicado en la norma EN 267.

En la figura (B) se indica el diámetro y longitud de la cámara de combustión de la caldera de prueba.

Ejemplo: Caudal 35 kg/hora:
diámetro = 50 cm; longitud 1,5 m.

Si el quemador se instala en una caldera comercial con cámara de combustión mucho más pequeña, antes debe realizarse una prueba.

INSTALACIÓN

⚠ EL QUEMADOR SE DEBE INSTALAR DE CONFORMIDAD CON LAS LEYES Y NORMATIVAS LOCALES.

POSICIÓN DE FUNCIONAMIENTO (C)

⚠ El quemador está preparado exclusivamente para el funcionamiento en las posiciones 1, 2, 3 y 4.

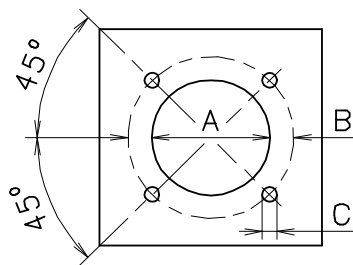
Es conveniente escoger la instalación 1 puesto que es la única que permite el mantenimiento tal como descrito a continuación en este manual. Las instalaciones 2, 3 y 4 permiten el funcionamiento pero complican las operaciones de mantenimiento y de inspección del cabezal de combustión pág. 12.

⊘ Otra posición se debe considerar comprometedor para el funcionamiento correcto del aparato.

La instalación 5 está prohibida por motivos de seguridad.

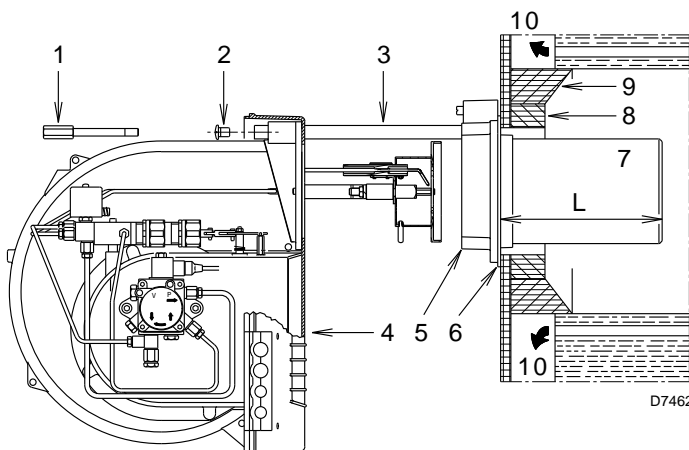
⚠ ANTES DE MONTAR EL ENVOLVENTE ES NECESARIO FIJAR LA PROTECCIÓN DEL MOTOR, SUMINISTRADA DE SERIE (1)(D), EN LA BRIDA (2)(D), UTILIZANDO LOS CORRESPONDIENTES TORNILLOS (3)(D) CON TUERCA Y ARANDELA. FIJE LA BRIDA AL ESCUDO ANTERIOR DEL QUEMADOR MEDIANTE EL TORNILLO (4)(D).

mm	A	B	C
RL 64 MZ	185	275-325	M12



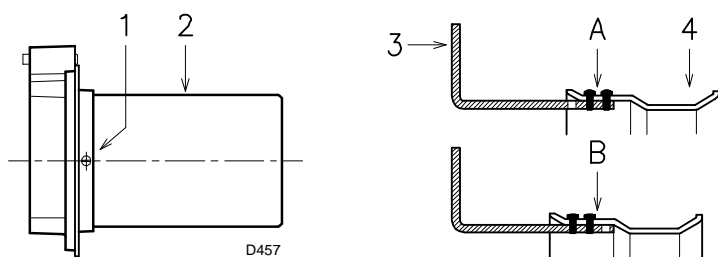
(A)

D455



(B)

D7462



(C)

D457

60	GPH	kg/h (1)			kW 12 bar
		10 bar	12 bar	14 bar	
RL 64 MZ	4,00	15,4	17,0	18,4	201,6
	4,50	17,3	19,1	20,7	226,5
	5,00	19,2	21,2	23,1	251,4
	5,50	21,1	23,3	25,4	276,3
	6,00	23,1	25,5	27,7	302,4
	6,50	25,0	27,6	30,0	327,3
	7,00	26,9	29,7	32,3	352,3
	7,50	28,8	31,8	34,6	377,2
	8,00	30,8	33,9	36,9	402,1
	8,30	31,9	35,2	38,3	417,5
	8,50	32,7	36,1	39,2	428,2
	9,00	34,6	38,2	41,5	453,1
	9,50	36,5	40,3	43,8	478,0
	10,0	38,4	42,4	46,1	502,9
	10,5	40,4	44,6	48,4	529,0
	11,0	42,3	46,7	50,7	553,9
	12,0	46,1	50,9	55,3	603,7
	12,3	47,3	52,2	56,7	619,1
13,0	50,0	55,1	59,9	653,5	
13,8	53,1	58,5	63,3	693,8	
14,0	53,8	59,4	64,5	704,5	
15,0	57,7	63,6	69,2	754,3	
15,3	58,8	64,9	70,5	769,7	
16,0	61,5	67,9	73,8	805,3	
17,0	65,4	72,1	78,4	855,1	

(1) gasóleo: densidad 0,84 kg/dm³ - viscosidad 4,2 cSt/20 °C - temperatura 10 °C (D)

PLACA DE CALDERA (A)

Taladrar la placa de cierre de la cámara de combustión tal como se indica en (A).

Puede marcarse la posición de los orificios roscados utilizando la junta aislante que se suministra con el quemador.

LONGITUD TUBO LLAMA (B)

La longitud del tubo de llama debe seleccionarse de acuerdo con las indicaciones del fabricante de la caldera y, en cualquier caso, debe ser mayor que el espesor de la puerta de la caldera completa, con el material refractario incluido. La longitud L (mm) disponible es:

Tubo llama 7):

- normal 250
- largo 385

Para calderas con pasos de humos delanteros 10) o con cámara de inversión de llama, colocar una protección de material refractario 8) entre el refractario de la caldera 9) y el tubo de llama 7). Esta protección debe permitir el desplazamiento del tubo de llama.

En calderas con frontal refrigerado por agua, no es necesario el revestimiento refractario 8)-9)(B), salvo que lo indique el fabricante de la caldera.

FIJACIÓN DEL QUEMADOR A LA CALDERA (B)

Desmontar el tubo de llama 7) del quemador 4):

- Sacar los tornillos 2) de las dos guías 3).
- Sacar el tornillo 1) que fija el quemador 4) a la brida 5).
- Extraer el tubo de llama 7) con la brida 5) y las guías 3).

Fijar la brida 5)(B) a la placa de la caldera, intercalando la junta 6) que se suministra. Utilizar los 4 tornillos que se suministran, después de haber protegido la rosca con algún producto antibloqueo (grasa para temperaturas altas, compuestos, grafito).

El acoplamiento del quemador con la caldera debe ser hermético.

SELECCIÓN BOQUILLAS PARA 1ª Y 2ª LLAMA

Las dos boquillas deben elegirse entre las que figuran en la tabla (D).

La primera boquilla determina el caudal del quemador en 1ª llama.

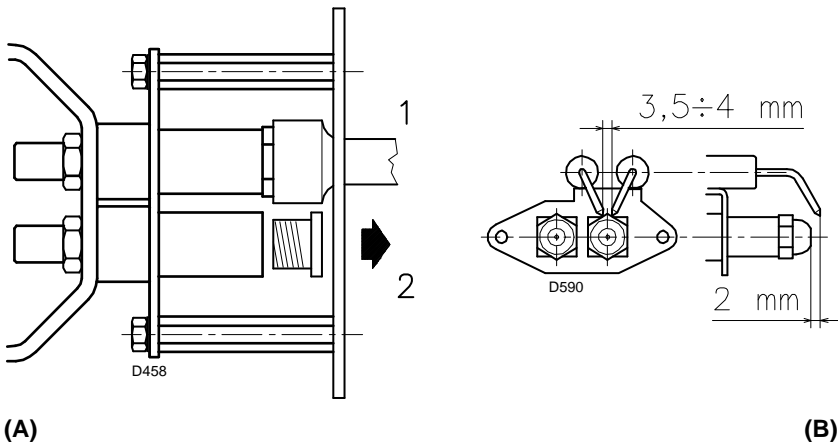
La segunda boquilla funciona conjuntamente con la primera y entre las dos determinan el caudal del quemador en 2ª llama.

Los caudales de la 1ª y 2ª llama deben estar comprendidos entre los valores indicados en la pág. 2.

Utilizar preferentemente boquillas con ángulo de pulverización de 60º y presión de 12 bar.

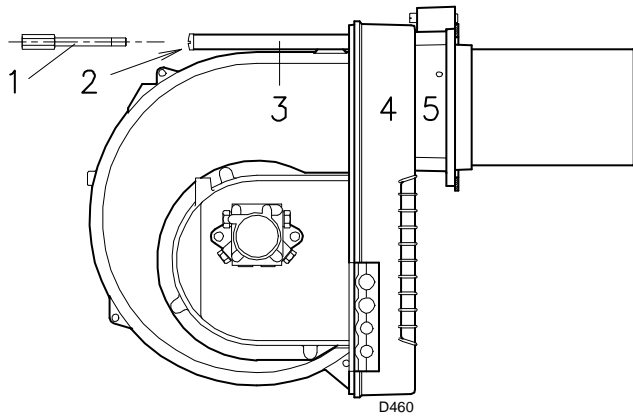
Generalmente, las dos boquillas son del mismo caudal, en caso necesario, la boquilla de 1ª llama puede ser:

- un caudal inferior al 50% del caudal total, cuando se desea reducir un poco la contrapresión en el momento del encendido;
- un caudal superior al 50% del caudal total, cuando se desea mejorar la combustión en 1ª llama.

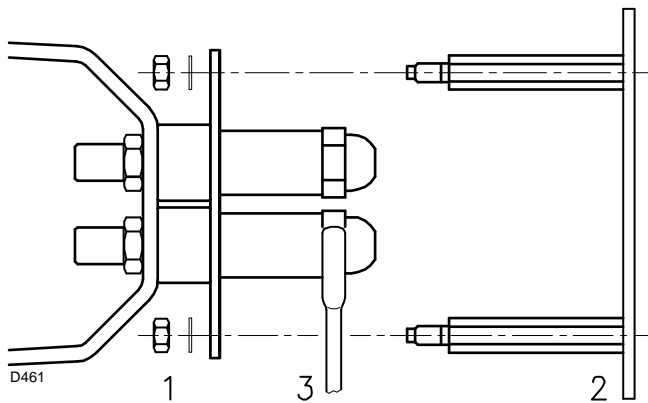


(A)

(B)

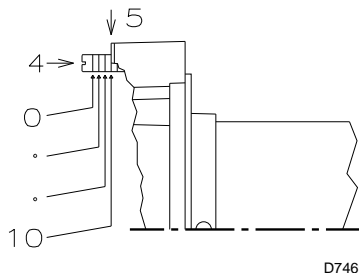


(C)



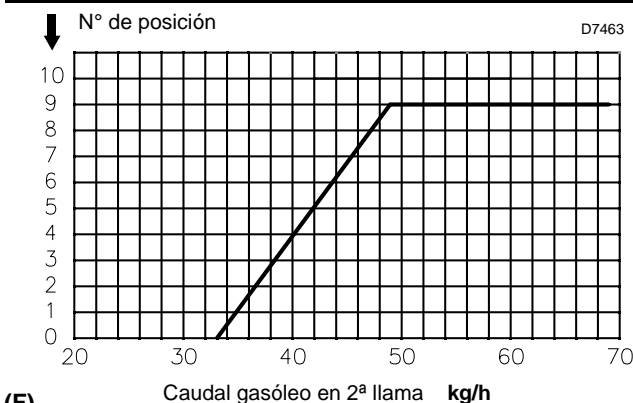
(D)

REGULACIÓN CABEZAL DE COMBUSTIÓN



(E)

D7469



(F)

Ejemplo

Potencia caldera = 635 kW - rendimiento 90 %

Potencia en quemador =

$635 : 0,9 = 705 \text{ kW}$

$705 : 2 = 352 \text{ kW por boquilla}$

es decir, se necesitan dos boquillas iguales de 60° y 12 bar de presión:

1° = 7,00 GPH - 7° = 3,00 GPH,

o bien dos boquillas diferentes:
1° = 6,00 GPH - 2° = 8,00 GPH,

o:

1° = 8,00 GPH - 2° = 6,00 GPH.

MONTAJE DE LAS BOQUILLAS

En este punto de la instalación, el quemador está todavía separado del tubo de llama; es, por tanto, posible montar la boquilla con la llave de tubo 1)(A) (de 16 mm) después de haber retirado los tapones de plástico 2)(A), pasando por la abertura central del disco estabilizador de llama. No utilizar productos de estanqueidad, como juntas, cinta o silicona. Tener cuidado en no dañar o rayar el asiento de estanqueidad de la boquilla. El apriete de la boquilla debe ser fuerte, pero sin llegar al par máximo que permita la llave.

La boquilla para la 1ª llama de funcionamiento es la que se halla debajo de los electrodos de encendido, Fig. (B).

Comprobar que los electrodos estén posicionados como se indica en la Fig. (B).

Por último, volver a montar el quemador 4)(C) sobre las guías 3), desplazándolo hasta la brida 5), manteniéndolo ligeramente levantado para evitar que el disco estabilizador de llama tropiece con el tubo de llama.

Apretar los tornillos 2) de las guías 3) y lo tornillo 1) que fija el quemador a la brida.

Si fuese necesario sustituir una boquilla con el quemador ya instalado en la caldera, proceder del modo siguiente:

- Desplazar el quemador sobre las guías, tal como muestra la Fig. (B)p.5.
- Sacar las tuercas 1)(D) y el disco 2)
- Sustituir la(s) boquilla(s) con la llave 3)(D).

REGULACIÓN DEL CABEZAL DE COMBUSTIÓN

La regulación del cabezal de combustión depende únicamente del caudal de combustible del quemador en 2ª llama, es decir, de la suma de los caudales de las dos boquillas seleccionadas a pág. 6.

Girar el tornillo 4)(E) hasta que coincida el número de posición indicado en el gráfico (G) con el plano anterior de la brida 5)(E).

Ejemplo:

RL 64 MZ con dos boquillas de 7,00 GPH y presión de 12 bar en la bomba.

En la tabla (D) pag. 5 hallar el caudal de las dos boquillas de 7,00 GPH:

$29,7 + 29,7 = 59,4 \text{ kg/h.}$

El gráfico (F) indica que para un caudal de 59,4 kg/h el quemador RL 64 MZ necesita una regulación del cabezal de combustión en la posición 9 aproximadamente, tal como muestra la fig. (E).

INSTALACIÓN HIDRÁULICA

ALIMENTACIÓN DE COMBUSTIBLE

Alimentación con dos tubos (A)

El quemador va provisto de una bomba autocebable que es capaz de autoalimentarse, dentro de los límites que figuran en la tabla que hay al margen.

Depósito más elevado que el quemador A

La cota P no debe ser superior a 10 metros para no someter al retén de la bomba a una presión excesiva; y la cota V no debe ser superior a 4 metros para que la bomba pueda autocebarse, incluso con el depósito casi vacío.

Depósito más bajo que el quemador B

No se debe superar una depresión en la bomba de 0,45 bar (35 cm Hg). Con una depresión superior se gasificaría parte del combustible, la bomba haría ruido y se acortaría la vida de la misma.

Es aconsejable que el tubo de retorno y el de aspiración entren en el quemador a la misma altura; de este modo es más difícil que se produzca un descebado del tubo de aspiración.

Alimentación en anillo

La alimentación en anillo está formada por un tubo que sale del depósito y retorna a él, con una bomba auxiliar que hace circular el combustible a presión. Una derivación del anillo alimenta al quemador. Este sistema es útil cuando la bomba del quemador no es capaz de autoalimentarse porque la distancia o el desnivel respecto al depósito son superiores a los valores indicados en la Tabla.

Leyenda

- H = Desnivel bomba-válvula de fondo
- L = Longitud tubería
- Ø = Diámetro interior del tubo
- 1 = Quemador
- 2 = Bomba
- 3 = Filtro
- 4 = Llave de paso
- 5 = Conducto aspiración
- 6 = Válvula de pie
- 7 = Válvula manual de cierre rápido, con mando a distancia (sólo en Italia)
- 8 = Electroválvula de cierre (sólo en Italia)
- 9 = Conducto de retorno
- 10 = Válvula de retención (sólo en Italia)

CONEXIONES HIDRÁULICAS (B)

Las bombas llevan un by-pass que comunica el retorno con la aspiración. Van instaladas en el quemador, con el by-pass cerrado por el tornillo 6)(B)p.10.

Así pues, es necesario conectar los dos conductos a la bomba.

Si hacemos funcionar la bomba con el retorno cerrado y el tornillo del by-pass colocado, se avería inmediatamente.

Retirar los tapones de las conexiones de aspiración y de retorno de la bomba.

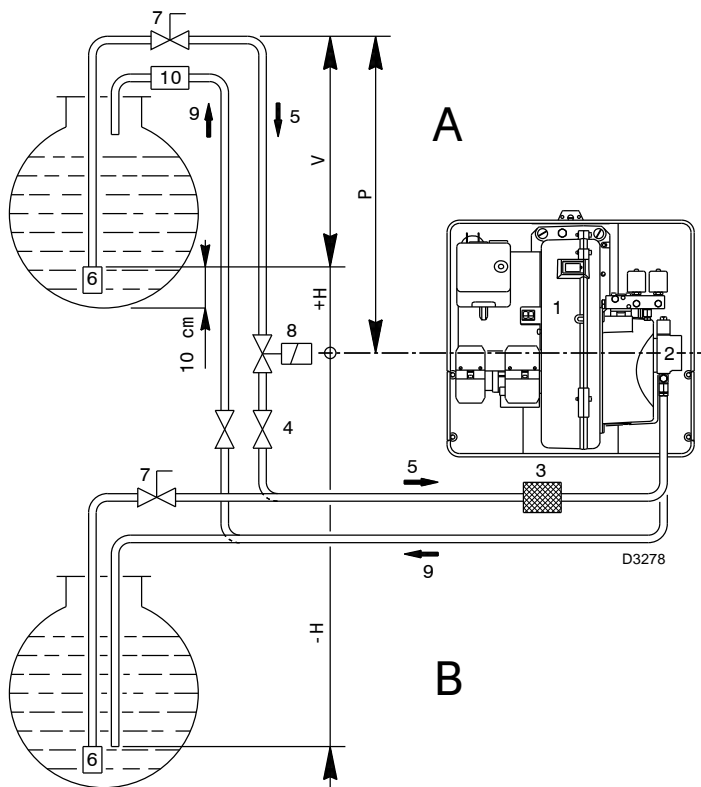
En su lugar rosar los tubos flexibles con las juntas que se suministran.

Al montar los tubos flexibles, éstos no deben someterse a torsiones ni estiramientos.

Pasar los flexibles por los dos orificios de la plaqueta preferiblemente por el lado derecho, fig. (B): extraer los tornillos 1), abrir la plaqueta en dos partes 2) y 3), recortar la membrana que cubre los dos orificios 4).

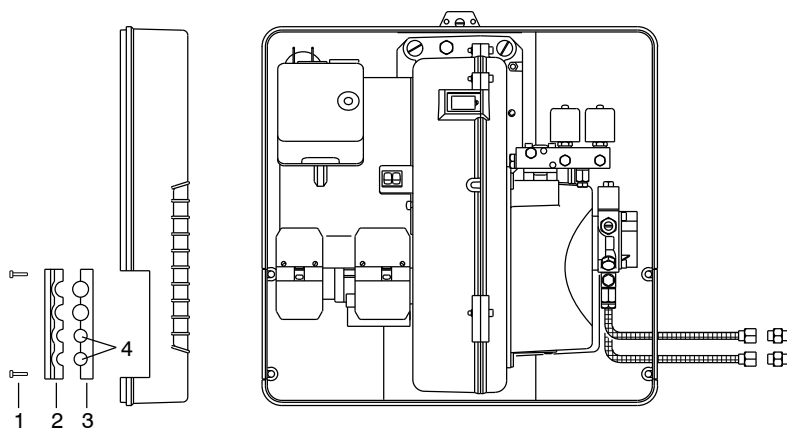
Colocar los tubos de forma que no puedan ser pisados ni estén en contacto con superficies calientes de la caldera.

Por último, conectar el otro extremo de los tubos flexibles a las entrerrosas, entregadas, usando dos llaves: una en el racor giratorio del tubo flexible, para enroscar, y una sobre la entrerrosca, para tenerlo firme.



+ H - H (m)	L (m)		
	Ø (mm)		
	10	12	14
+ 4,0	51	112	150
+ 3,0	45	99	150
+ 2,0	39	86	150
+ 1,0	32	73	144
+ 0,5	29	66	132
0	26	60	120
- 0,5	23	54	108
- 1,0	20	47	96
- 2,0	13	34	71
- 3,0	7	21	46
- 4,0	-	8	21

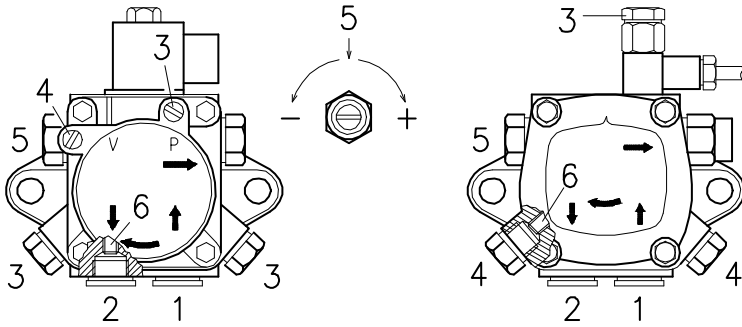
(A)



(B)

D3279

SUNTEC AL 95 C



D706

BOMBA (A)

- 1 - Aspiración G 1/4"
- 2 - Retorno G 1/4"
- 3 - Conexión manómetro G 1/8"
- 4 - Conexión vacuómetro G 1/8"
- 5 - Regulación presión
- 6 - Tornillo para by-pass

- A - Caudal mínimo a 12 bar de presión
- B - Campo de regulación presión de salida
- C - Depresión máxima en aspiración
- D - Campo de viscosidad
- E - Temperatura máxima gasóleo
- F - Presión máx. en aspiración y retorno
- G - Regulación de la presión en fábrica
- H - Ancho malla filtro

CEBADO DE LA BOMBA

- Antes de poner en funcionamiento el quemador, asegurarse de que el tubo de retorno del depósito no está obstruido, lo cual provocaría la rotura del retén del eje de la bomba. (La bomba sale de fábrica con la válvula de by-pass cerrada).
- A fin de que la bomba pueda autocebarse, es indispensable aflojar el tornillo 3)(A) de la bomba para purgar el aire que pueda haber en el tubo de aspiración.
- Poner en marcha el quemador cerrando los termostatos y con el interruptor 1)(B)p.9 en la posición "MARCHA". La bomba debe girar en el sentido de la flecha que hay marcada en la cubierta.
- Cuando el gasóleo sale por el tornillo 3), es indicativo de que la bomba está cebada.
- Parar el quemador: interruptor 1)(B)p.9 en posición "PARO" y apretar el tornillo 3).

El tiempo que se necesita para esta operación depende del diámetro y de la longitud del tubo de aspiración. Si la bomba no se ceba en el primer arranque y el quemador se bloquea, esperar unos 15 segundos, rearmar y repetir la operación de arranque tantas veces como sea necesario. Cada 5 ó 6 arranques, esperar 2 ó 3 minutos para que se enfríe el transformador. No iluminar la resistencia para evitar que se bloquee el quemador; de todos modos, el quemador se bloqueará al cabo de unos 10 segundos del arranque.

Atención: la operación indicada anteriormente es posible porque la bomba sale de fábrica llena de combustible. Si se ha vaciado la bomba, llenarla de combustible por el tapón del vacuómetro antes de ponerla en marcha, para evitar que se bloquee.

Cuando el tubo de aspiración tiene más de 20-30 metros de largo, rellenar el conducto con una bomba independiente.

BOMBA		AL 95 C
A	kg/h	107
B	bar	10 - 20
C	bar	0,45
D	cSt	2 - 12
E	°C	60
F	bar	2
G	bar	12
H	mm	0,150

(A)

REGULACIÓN DEL QUEMADOR

ENCENDIDO

Situar el interruptor 1)(B) en la posición "MARCHA".

En el primer encendido, o en el momento de pasar de 1ª a 2ª llama, se produce una disminución momentánea de la presión del combustible como consecuencia de llenarse el tubo que alimenta la 2ª boquilla. Esta bajada de presión puede provocar el paro del quemador, acompañado, a veces, de pulsaciones.

Una vez efectuadas las regulaciones que se describen a continuación, el encendido del quemador debe producir un ruido similar al de funcionamiento. Si se advierten una o más pulsaciones, o un retardo en el encendido respecto a la apertura de la electroválvula del gasóleo, ver los consejos que se indican en la pág. 14: causas 34 ÷ 42.

FUNCIONAMIENTO

Par lograr un reglaje óptimo del quemador, es necesario efectuar un análisis de combustión a la salida de la caldera y actuar sobre los siguientes elementos.

- **Boquillas de 1ª y 2ª llama**
Ver lo indicado en la pág. 5.

- **Cabezal de combustión**

La regulación del cabezal que ya se ha efectuado, no necesita modificación si no se ha variado el caudal del quemador en 2ª llama.

- **Presión bomba**

12 bar: es la presión regulada en fábrica y la que, normalmente, se debe utilizar. A veces, puede ser necesario regularla a:

10 bar para reducir el caudal de combustible. Es posible sólo si la temperatura ambiente permanece por encima de los 0°C. No bajar nunca de 10 bar, ya que el hidráulico del aire podría abrirse con dificultad;

14 bar para aumentar el caudal de combustible o para que el quemador se encienda bien incluso a temperaturas inferiores a 0°C.

Para variar la presión de la bomba, usar el tornillo 5)(A)p. 8.

- **Registro ventilador - 1ª llama**

Mantener el quemador funcionando en 1ª llama, situando el interruptor 2)(B) en la posición 1ª llama. La abertura del registro 1)(A) debe ser proporcional a la boquilla elegida: el índice 7)(A) debe corresponderse con el número de posición que se indica en la tabla (C). El reglaje se efectúa girando el hexágono 4)(A):

- hacia la derecha (signo -), la abertura disminuye;
- hacia la izquierda (signo +), la abertura aumenta.

Ejemplo:

Boquilla 1ª llama 4,00 GPH:

Situar el n° posición 26° con el índice 7)(A).

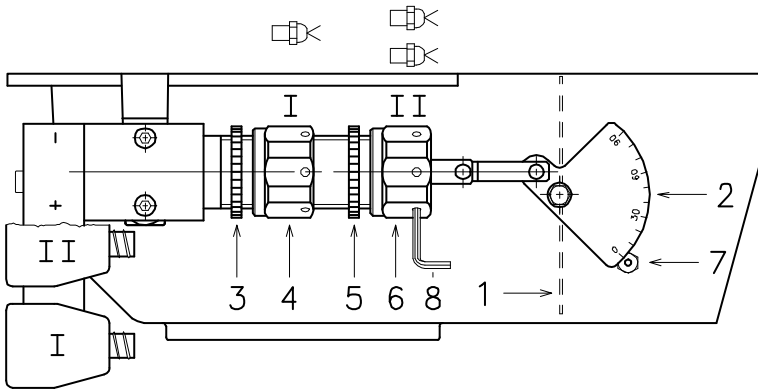
La regulación efectuada, se debe bloquear apretando la contratuerca 3) contra exágono 4).

- **Registro ventilador - 2ª llama**

Situar el interruptor 2)(B) en posición 2ª llama y regular el registro 1)(A) actuando sobre el hexágono 6)(A), después de haber aflojado la contratuerca 5)(A).

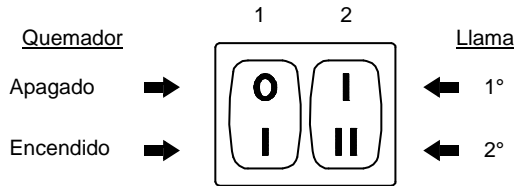
La presión del aire en la toma 1)(E) debe ser la indicada en la tabla (D) más la sobrepresión de la cámara de combustión medida en la toma 2)(E). Ver ejemplo en el dibujo de la figura.

NOTA: Para facilitar la regulación de los hexágonos 4) y 6)(A), utilizar una llave hexagonal de 3 mm 8)(A).



(A)

D468



(B)

D469

RL 64 MZ	
GPH	α
4,00	26
4,50	28
5,00	31
5,50	33
6,00	35
6,50	36
7,00	37

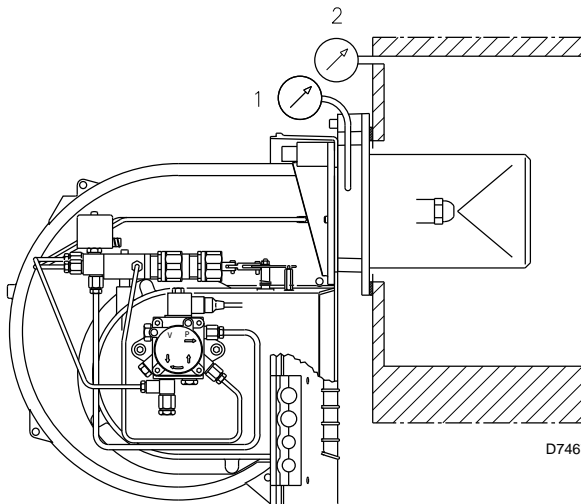
1ª LLAMA
 $\alpha = N^\circ$ posición

(C)

RL 64 MZ	
kg/h	mbar
33	4,7
37	4,2
41	3,7
45	3,2
49	2,6
53	3,2
57	4,2
60	5,1
63	6,0
66	6,4
69	7,3

2ª LLAMA
mbar = presión aire en 1), con cero presión en 2)

(D)



D7467

(E)

FUNCIONAMIENTO DEL QUEMADOR

PUESTA EN MARCHA DEL QUEMADOR (A) - (B)

Fases de puesta en marcha con los tiempos progresivos en segundos:

- Se cierra el termostato TL.
- Después de alrededor de 3 s:
- **0 s** : Inicia el programa la caja de control.
- **2 s** : Se pone en marcha el motor ventilador.
- **3 s** : Se conecta el transformador de encendido.

La bomba 3) aspira el combustible del depósito a través del conducto 1) y del filtro 2) y lo bombea a presión. El pistón 4) se desplaza y el combustible regresa al depósito a través de los conductos 5) y 7). El tornillo 6) cierra el bypass hacia la aspiración y las electroválvulas 8), 11) y 16), desactivadas, cierran el paso hacia las boquillas.

El hidráulico del aire 15), pistón A, abre el registro de aire y efectúa la preventilación con el caudal de aire de 1ª llama.

- **22 s** : Se abren las electroválvulas 16) y 8); el combustible pasa por el conducto 9) y el filtro 10), sale pulverizado por la boquilla y, al entrar en contacto con la chispa, se enciende la 1ª llama.
 - **29 s** : Se apaga el transformador de encendido.
 - **36 s** : Si el termostato TR está cerrado o ha sido sustituido por un puente, se abre la electroválvula 11) de 2ª llama, el combustible entra en el dispositivo 12) y levanta el pistón que abre dos vías: una hacia el conducto 13), el filtro 14) y la boquilla de 2ª llama; y la otra hacia el hidráulico del aire 15), pistón B, que abre el registro de aire del ventilador en 2ª llama.
- Finaliza el ciclo de puesta en marcha.

FUNCIONAMIENTO A RÉGIMEN

Instalación con termostato TR

Finalizado el ciclo de puesta en marcha, el mando de la electroválvula de 2ª llama pasa al termostato TR, que controla la presión o la temperatura en caldera.

- Cuando la temperatura o la presión aumenta hasta la abertura del termostato TR, la electroválvula 11) se cierra y el quemador pasa de 2ª a 1ª llama.
- Cuando la temperatura o la presión disminuye hasta el cierre del termostato TR, la electroválvula 11) se abre y el quemador pasa de 1ª a 2ª llama.
- y así sucesivamente.
- El paro del quemador se produce cuando las necesidades de calor son menores que las generadas por el quemador en 1ª llama. El termostato TL se abre, las electroválvulas 8) y 16) se cierran y la llama se apaga repentinamente. El registro del aire del ventilador se cierra completamente.

Instalación sin termostato TR, sustituido por un puente

La puesta en marcha del quemador se hace del modo indicado anteriormente. Posteriormente, si la temperatura o la presión aumenta hasta la abertura del termostato TL, el quemador se apaga (segmento A-A del gráfico).

En el momento de desactivarse la electroválvula 11), el pistón 12) cierra la vía hacia la boquilla de 2ª llama y el combustible que hay en el hidráulico del aire 15), pistón B, se descarga en el conducto de retorno 7).

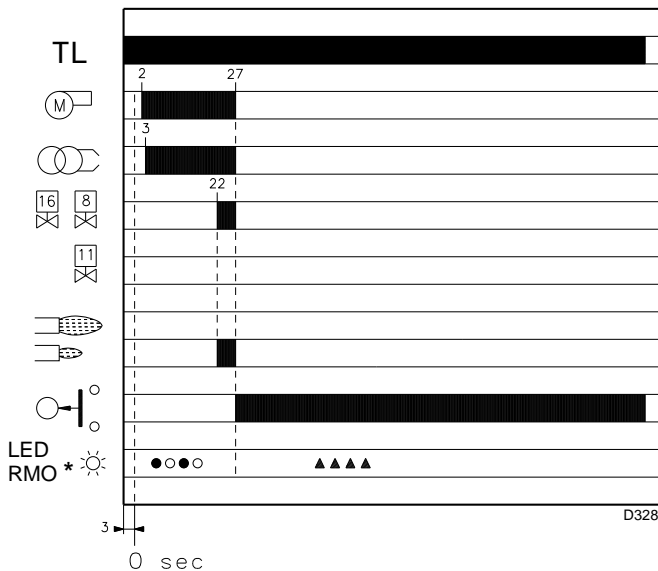
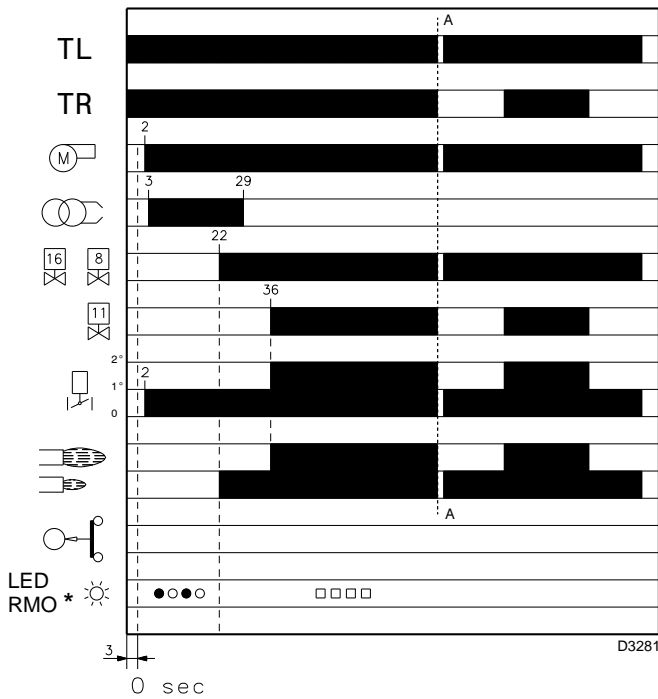
FALTA DE ENCENDIDO

Si el quemador no se enciende, se produce el bloqueo del mismo en un tiempo máximo de 5 segundos desde la abertura de la electroválvula de la 1ª boquilla y 30 segundos después del cierre del termostato TL.

El piloto de la caja de control se ilumina.

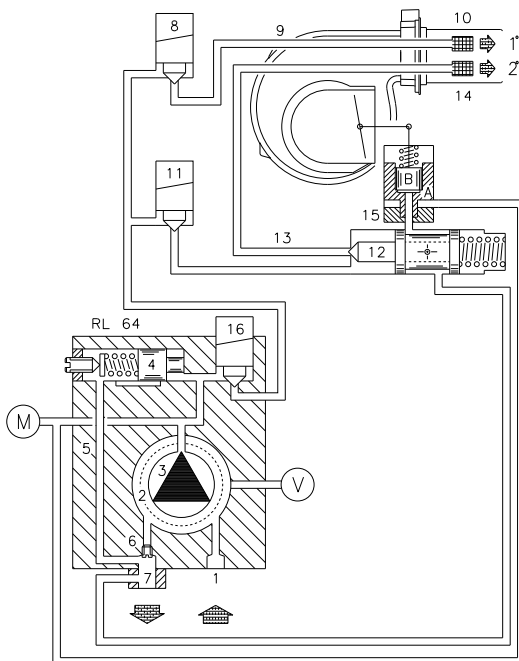
APAGADO DE LA LLAMA DURANTE EL FUNCIONAMIENTO

Si la llama se apaga durante el funcionamiento del quemador, éste se bloquea en 1 segundo y efectúa un intento de ponerse en marcha, repitiendo el ciclo de arranque.

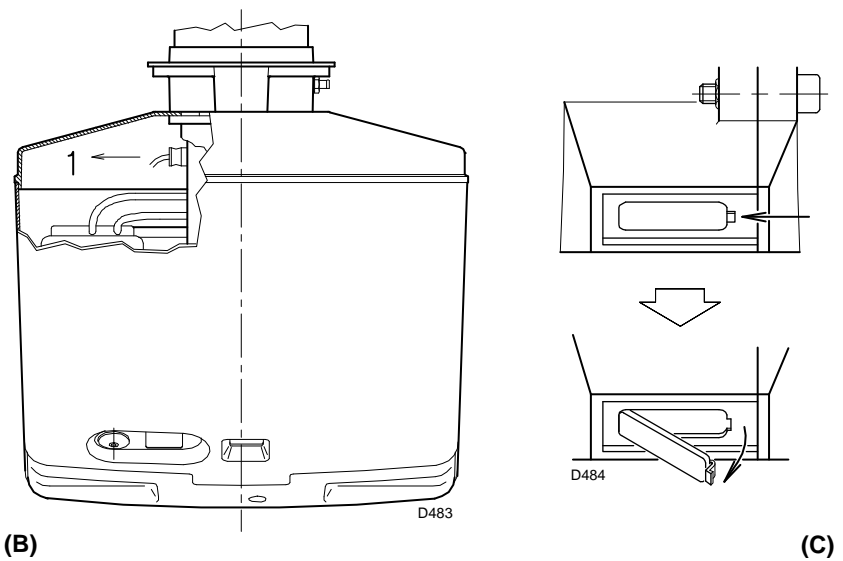
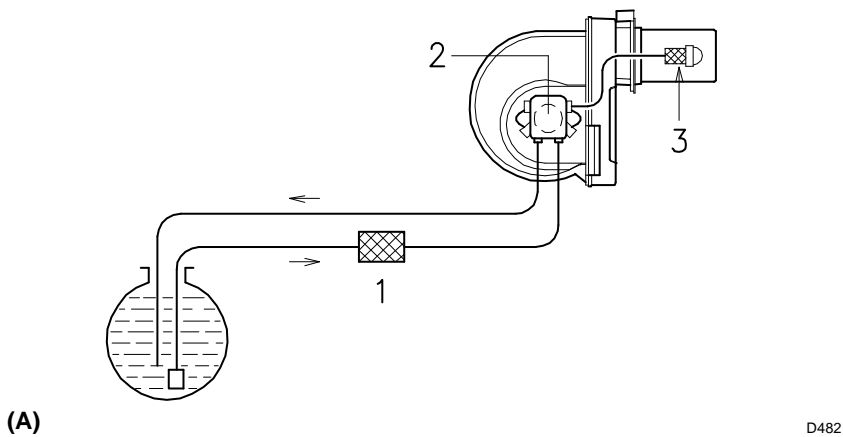


- * ○ Apagado ● Amarillo □ Verde ▲ Rojo
Para mayores informaciones, véase la pág. 13.

(A)



(B)



CONTROL FINAL

- **Obscurecer la fotorresistencia y cerrar los termostatos:** el quemador debe arrancar y luego bloquearse a unos 5 segundos aproximadamente de la abertura de la válvula de la 1ª boquilla.
- **Iluminar la fotorresistencia y cerrar los termostatos:** el quemador debe arrancar y, al cabo de unos 10 segundos, bloquearse.
- **Obscurecer la fotorresistencia con el quemador funcionando, debe suceder lo siguiente en secuencia:** apagado de la llama en 1 segundo, ventilación durante 20 segundos, chispa durante unos 5 segundos y bloqueo del quemador.
- **Abrir el termostato TL, con el quemador funcionando:** el quemador debe pararse.

MANTENIMIENTO

⚠ El quemador precisa un mantenimiento periódico que debe ser ejecutado por personal especializado **y de conformidad con las leyes y normativas locales.**

⚠ El mantenimiento periódico es fundamental para un buen funcionamiento del quemador; y evita asimismo los consumos de combustible excesivos y, por lo tanto, la emisión de agentes contaminantes.

⚠ Antes de realizar cualquier operación de limpieza o control, apague la alimentación eléctrica del quemador utilizando el interruptor principal del sistema.

Combustión

Efectuar el análisis de los gases de combustión que salen de la caldera. Las diferencias significativas respecto al último análisis indicarán los puntos donde deberán centrarse las operaciones de mantenimiento.

Bomba

La presión de impulsión de la bomba debe ser estable a 12 bar.

La depresión debe ser inferior a 0,45 bar.

El ruido de la bomba no debe ser perceptible.

En caso de presión inestable o si la bomba hace ruido, desconectar el tubo flexible del filtro de línea y aspirar el combustible de un depósito situado cerca del quemador. Esta medida de precaución permite determinar si la causa de la anomalía es el tubo de aspiración o la bomba.

Si es la bomba, comprobar que su filtro no esté sucio. En efecto, como el vacuómetro está instalado antes del filtro, no muestra el estado de suciedad.

En cambio, si la causa de la anomalía está en el conducto de aspiración, comprobar que el filtro de línea no esté sucio o que entre aire en el conducto.

Filtros (A)

Comprobar los cartuchos filtrantes:

- de línea 1) • de la bomba 2) • de la boquilla 3), limpiarlos o sustituirlos.

Si en el interior de la bomba se aprecia oxidación u otras impurezas, aspirar del fondo del depósito con una bomba independiente, el agua y los lodos que eventualmente se hayan depositado.

Ventilador

Verificar que no se haya acumulado polvo en el interior del ventilador ni en las palas de la turbina: reduce el caudal de aire, provocando una combustión defectuosa.

Cabezal de combustión

Verificar que todas las partes del cabezal estén intactas, no estén deformadas por las altas temperaturas, no tengan suciedad proveniente del ambiente y estén correctamente posicionadas

Boquillas

No intentar limpiar el orificio de las boquillas. Sustituir las boquillas cada 2 ó 3 años, o cuando sea necesario. Cuando se sustituyan, debe efectuarse un análisis de combustión.

Fotorresistencia (B)

Limpiar el polvo depositado en el cristal. Para extraer la fotorresistencia 1), tirar hacia afuera; está montada sólo a presión.

Visor llama (C)

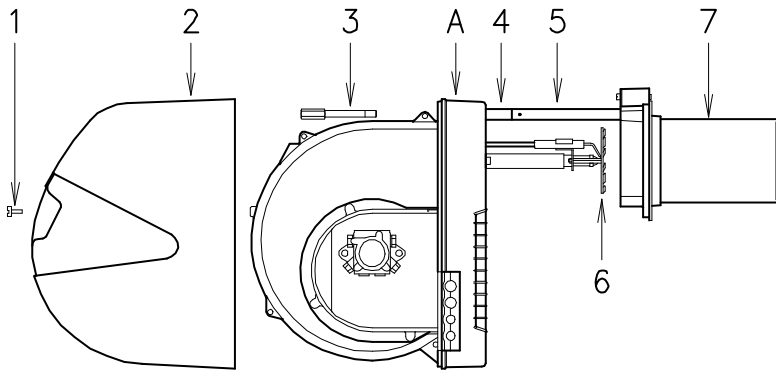
Limpiar el cristal.

Tubos flexibles

Comprobar que estén en buenas condiciones, que no hayan sido pisados o deformados.

Depósito de combustible

Cada 5 años, aproximadamente, aspirar el agua del fondo del depósito con una bomba independiente.



(D)

D486

Caldera

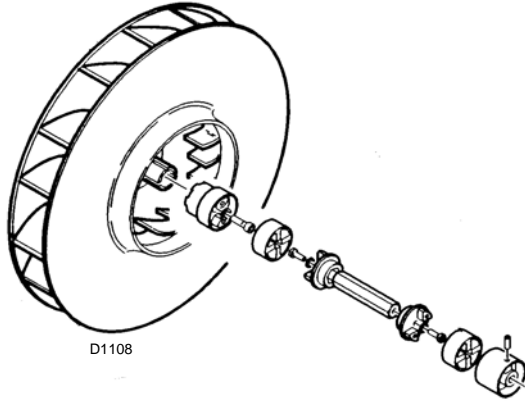
Limpiar la caldera de acuerdo con las instrucciones que la acompañan, con el fin de poder mantener intactas las características de combustión originales, en especial la presión en la cámara de combustión y la temperatura de los humos.

PARA ABRIR EL QUEMADOR (D)

- Interrumpir la alimentación eléctrica
- Aflojar lo tornillo 1) y extraer la envolvente 2)
- Desenroscar lo tornillo 3)
- Montar los 2 prolongadores 4) que se suministran con las guías 5) (modelo con tubo llama 385 mm)
- Desplazar la parte A, manteniéndola ligeramente levantada para no dañar el disco estabilizador 6) del tubo de llama 7).

Posible sustitución bomba o acoplamientos (E)

Montar respetando las indicaciones de la figura (E).



(E)

DIAGNÓSTICO DEL PROGRAMA DE PUESTA EN MARCHA

Durante el programa de puesta en marcha, en la siguiente tabla se indican las explicaciones:

TABLA CÓDIGO COLOR	
Secuencias	Código color
Preventilación	● ○ ● ○ ● ○ ● ○ ●
Etapa de encendido	● ○ ● ○ ● ○ ● ○ ●
Funcionamiento con llama ok	□ □ □ □ □ □ □ □ □
Funcionamiento con señal de llama débil	□ ○ □ ○ □ ○ □ ○ □
Alimentación eléctrica inferior que ~ 170V	● ▲ ● ▲ ● ▲ ● ▲ ●
Bloqueo	▲ ▲ ▲ ▲ ▲ ▲ ▲ ▲ ▲
Luz extraña	▲ □ ▲ □ ▲ □ ▲ □ ▲
Legenda:	○ Apagado ● Amarillo □ Verde ▲ Rojo

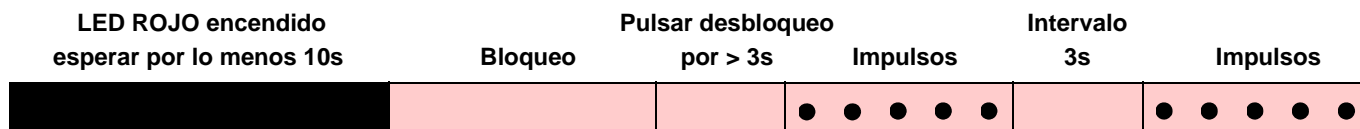
DESBLOQUEO DE LA CAJA DE CONTROL Y USO DE LA FUNCIÓN DE DIAGNÓSTICO

La caja de control suministrada tiene una función de diagnóstico con la que es posible individualizar fácilmente las posibles causas de un problema de funcionamiento (señalización: **LED ROJO**).

Para utilizar dicha función hay que esperar 10 segundos como mínimo desde el momento de la puesta en condición de seguridad (**bloqueo**), y luego oprimir el botón de desbloqueo.

La caja de control genera una secuencia de impulsos (cada 1 segundo) que se repite a intervalos constantes de 3 segundos.

Una vez visualizado el número de parpadeos e identificada la posible causa, hay que restablecer el sistema, manteniendo apretado el botón durante un tiempo comprendido entre 1 y 3 segundos.



A continuación se mencionan los métodos posibles para desbloquear la caja de control y para usar la función de diagnóstico.

DESBLOQUEO DE LA CAJA DE CONTROL

Para desbloquear la caja de control, proceda de la siguiente manera:

- Oprima el botón durante un tiempo comprendido entre 1 y 3 segundos.
El quemador arranca después de 2 segundos de haber soltado el botón.
Si el quemador no arranca, hay que controlar el cierre del termostato límite.

DIAGNÓSTICO VISUAL

Indica el tipo de desperfecto del quemador que produce el bloqueo.

Para ver el diagnóstico, proceda de la siguiente manera:

- Mantenga apretado el botón durante más de 3 segundos desde el momento en que el led rojo se encendió (bloqueo del quemador).
El final de la operación será indicado por un parpadeo amarillo.
Suelte el botón cuando se produzca dicho parpadeo. El número de parpadeos indica la causa del problema de funcionamiento, según el código que se indica en la tabla de la página 14.

DIAGNÓSTICO SOFTWARE

Suministra el análisis de la vida del quemador mediante una conexión óptica al PC, indicando las horas de funcionamiento, número y tipos de bloqueos, número de serie de la caja de control, etc.

Para ver el diagnóstico, proceda de la siguiente manera:

- Mantenga apretado el botón durante más de 3 segundos desde el momento en que el led rojo se encendió (bloqueo del quemador).
El final de la operación será indicado por un parpadeo amarillo.
Suelte el botón durante 1 segundo y luego oprímalo de nuevo durante más de 3 segundos hasta que se produzca otro parpadeo amarillo.
Al soltar el botón, el led rojo parpadeará intermitentemente con una frecuencia elevada: sólo en este momento se podrá conectar la conexión óptica.

Al concluir la operación hay que restablecer las condiciones iniciales de la caja de control, siguiendo los pasos de desbloqueo antedichos.

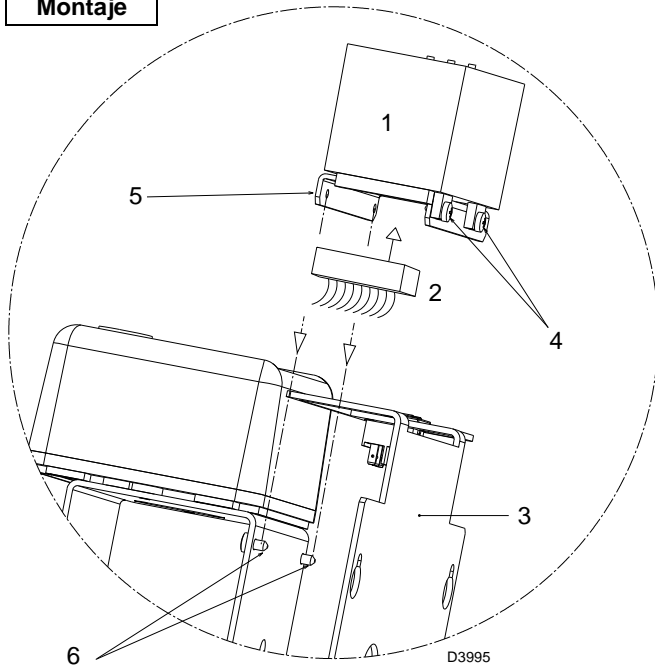
PRESIÓN DEL BOTÓN	ESTADO DE LA CAJA DE CONTROL
De 1 a 3 segundos	Desbloqueo de la caja de control sin visualización del diagnóstico visual.
Más de 3 segundos	Diagnóstico visual de la condición de bloqueo: (el led parpadea cada 1 segundo).
Más de 3 segundos desde la condición de diagnóstico visual	Diagnóstico software mediante la ayuda de la interfaz óptica y PC (posibilidad de visualizar las horas de funcionamiento, desperfectos, etc.)

La secuencia de los impulsos emitidos por la caja de control identifica los posibles tipos de avería que se mencionan en la página 14.

SEÑAL	ANOMALÍA	CAUSA PROBABLE	SOLUCIÓN
Ningún parpadeo	El quemador no se pone en marcha	1 - No hay suministro eléctrico 2 - Termostato de regulación máxima o de seguridad abierto 3 - Bloqueo caja de control 4 - Bloqueo bomba 5 - Conexión eléctrica incorrecto 6 - Caja de control defectuosa 7 - Motor eléctrico defectuoso	Cerrar los interruptores; verificar los fusibles Regularlo o sustituirlo Desbloquearla (10 seg. después del bloqueo) Sustituirla Verificarlo Sustituirla Sustituirla
2 impulsos ● ●	Superado el prebarrido y el tiempo de seguridad, el quemador se bloquea al concluir el tiempo de seguridad	8 - Falta combustible en el depósito o hay agua en el fondo 9 - Cabezal y registro de aire mal regulados 10 - Electroválvulas gasóleo no abren (1ª llama o seguridad) 11 - Boquilla 1ª llama obturada, sucia o deformada 12 - Electrodo de encendido mal regulados o sucios 13 - Electrodo a masa por aislante roto 14 - Cable alta tensión defectuoso o a masa 15 - Cable alta tensión deformado por alta temperatura 16 - Transformador de encendido defectuoso 17 - Conex. eléctrico válvulas o transformador incorrecto 18 - Caja de control defectuosa 19 - Bomba descebada 20 - Acoplamiento motor-bomba roto 21 - Aspiración bomba conectada al tubo de retorno 22 - Válvulas antes de la bomba cerradas 23 - Filtros sucios (de línea -de bomba -de boquilla) 24 - Fotorresistencia o caja de control defectuosa 25 - Fotorresistencia sucia 26 - 1ª llama del hidráulico defectuosa 27 - Bloqueo motor 28 - Interruptor mando motor defectuoso 29 - Alimentación eléctrica a dos fases actúa el relé térmico 30 - Motor gira en sentido contrario	Rellenar de combustible o aspirar el agua Regularlos; ver pág. 6 y 9 Comprobar conexiones; sustituir bobina Sustituirla Regularlos o limpiarlos Sustituirla Sustituirla Sustituirlo y protegerlo Sustituirlo Comprobarlo Sustituirla Cebear la bomba Sustituirlo Corregir conexión Abrirlas Limpiarlos Sustituir fotorresistencia o caja de control Limpiarla Sustituir hidráulico Desbloquear el relé térmico Sustituirlo Desbloquear el relé térmico cuando vuelva la tercera fase Cambiar el conexionado eléctrico del motor
4 impulsos ● ● ● ●	El quemador se pone en marcha y luego se bloquea	31 - Fotorresistencia en cortocircuito 32 - Luz externa o simulación de llama	Sustituir la fotorresistencia Eliminar luz o sustituir caja de control
7 impulsos ● ● ● ● ● ● ●	Desprendimiento llama	33 - Cabezal mal regulado 34 - Electrodo de encendido mal regulados o sucios 35 - Registro ventilador mal regulado: demasiado aire 36 - 1ª boquilla demasiado grande (pulsaciones) 37 - 1ª boquilla pequeña (desprendimiento llama) 38 - 1ª boquilla sucia o deformada 39 - Presión bomba inadecuada 40 - Boquilla 1ª llama inadecuada para quemador o caldera 41 - Boquilla 1ª llama defectuosa	Regularlo; ver pág. 6 Fig. (F) Regularlos; ver pág. 6 Fig. (B) o limpiarlos Regularlo Reducir el caudal de la 1ª boquilla Aumentar el caudal de la 1ª boquilla Sustituirla Regularla: entre 10 y 14 bares Ver Tabla boquillas, p.6; reducir boq. 1ª llama Sustituirla
	El quemador no pasa a 2ª llama	42 - Termostato TR no cierra 43 - Caja de control defectuosa 44 - Bobina electroválvula 2ª llama defectuosa 45 - Pistón bloqueado en el grupo válvulas	Regularlo o sustituirlo Sustituirla Sustituirla Sustituir el grupo
	El combustible pasa a 2ª llama y el aire se queda en la 1ª llama.	46 - Presión bomba es baja 47 - 2ª llama del hidráulico defectuosa	Aumentarla Sustituir hidráulico
	El quemador se para al pasar de 1ª a 2ª llama y de 2ª a 1ª. El quemador repite el ciclo de arranque.	48 - Boquilla sucia 49 - Fotorresistencia sucia 50 - Demasiado aire	Sustituirla Limpiarla Reducirlo
	Alimentación de combustible irregular	51 - Comprobar si la causa está en la bomba o en la instalación de alimentación de combustible	Alimentar el quemador desde un depósito situado cerca del quemador
	La bomba está oxidada interiormente	52 - Agua en el depósito	Aspirarla del fondo depósito con una bomba
	La bomba hace ruido; presión pulsante	53 - Entrada de aire en el tubo de aspiración - Depresión demasiado alta (superior a 35 cm Hg): 54 - Desnivel quemador-depósito demasiado grande 55 - Diámetro tubo demasiado pequeño 56 - Filtros en aspiración sucios 57 - Válvulas en aspiración cerradas 58 - Solidificación parafina por baja temperatura	Apretar los rácores Alimentar el quemador con circuito en anillo Aumentarlo Limpiarlos Abrirlas Añadir aditivo al gasóleo
	La bomba está descebada después de un paro prolongado	59 - Tubo de retorno no inmerso en el combustible 60 - Entrada de aire en el tubo de aspiración	Situarlo a misma altura que tubo de aspiración Apretar los rácores
	La bomba pierde gasóleo	61 - Fuga por el retén	Sustituir bomba
	Llama con humo - Bacharach oscuro - Bacharach amarillo	62 - Poco aire 63 - Boquilla sucia o desgastada 64 - Filtro boquilla sucio 65 - Presión bomba incorrecta 66 - Espiral estabilizador llama sucia, floja o deformada 67 - Abertura ventilación sala caldera insuficiente 68 - Demasiado aire	Regular cabezal y registro ventilador; pág.6 y 9. Sustituirla Limpiarlo o sustituirlo Regularla: entre 10 y 14 bar Limpiarla, apretarla o sustituirla Agrandarla Regular cabezal y registro ventilador; pág. 6 y 9.
	Cabezal de combustión sucio	69 - Boquilla u orificio boquilla sucio 70 - Ángulo o caudal boquilla inadecuado 71 - Boquilla floja 72 - Impurezas del ambiente en espiral estabilizador 73 - Regulación cabezal incorrecta o poco aire 74 - Longitud tubo de llama inadecuado para la caldera	Sustituirla Ver boquillas recomendadas, pág. 5 Apretarla Limpiarla Regularla; ver pág. 9; abrir registro del aire Consultar con el fabricante de la caldera
10 impulsos ● ● ● ● ● ● ● ● ● ●	El quemador se bloquea	75 - Error de conexión o avería interna 76 - Presencia de perturbaciones electromagnéticas	Utilizar el kit protección contra las interferencias radio

STATUS (suministro bajo demanda)

Montaje



- 1 Status
- 2 Conector
- 3 Ménsula del quemador
- 4 Tornillos de fijación
- 5 Soporte
- 6 Tornillos de fijación

STATUS

Accesorio suministro bajo demanda.
Ver página 16.

MONTAJE

Los quemadores están preparados para montar el Status. Para el montaje, proceda de la siguiente manera:

- Conecte el Status 1) mediante el conector 2) que se encuentra en la ménsula 3).
- Fije el soporte 5) al Status mediante los tornillos 4) que se suministran con el kit.
- Fije el grupo a la ménsula 3) mediante los tornillos 6).

STATUS cumple tres funciones:

1 - LA PANTALLA V INDICA LAS HORAS DE FUNCIONAMIENTO Y EL NÚMERO DE ARRANQUES DEL QUEMADOR

Total horas de funcionamiento

Pulsar el botón "h1".

Horas de funcionamiento en 2ª llama

Pulsar el botón "h2".

Horas de funcionamiento en 1ª llama (calculadas)

Total horas - horas en 2ª llama.

Número de encendidos

Pulsar el botón "count".

Puesta a cero horas de funcionamiento y nº de encendidos

Pulsar los 3 botones (de rearme) "reset" a la vez.

Memoria permanente

Las horas de funcionamiento y el nº de encendidos permanecen en la memoria incluso si se interrumpe la alimentación eléctrica.

2 - INDICA LOS TIEMPOS RELATIVOS A LA FASE DE ARRANQUE

Los LEDs se iluminan con la secuencia siguiente; ver Fig. A:

CON EL TERMOSTATO TR CERRADO:

Quemador apagado, termostato TL abierto

- 2 - Cierre termostato TL
- 3 - Arranque motor:
inicia la cuenta en segundos en la pantalla V
- 4 - Activación válvula 1ª llama
- 5 - Activación válvula 2ª llama
termina la cuenta en segundos en la pantalla V
- 6 - A los 10 segundos de la etapa 5, aparece en pantalla el código I I I I : esto indica que la fase de arranque ha terminado.

CON EL TERMOSTATO TR ABIERTO:

- 1 - Quemador apagado, termostato TL abierto
- 2 - Cierre termostato TL
- 3 - Arranque motor:
inicia la cuenta en segundos en la pantalla V
- 4 - Activación válvula 1ª llama
- 7 - A los 30 segundos de la etapa 4:
termina la cuenta en segundos en la pantalla V
- 8 - A los 10 segundos de la etapa 7, aparece en pantalla el código I I I I : esto indica que la fase de arranque ha terminado.

Los tiempos en segundos que aparecen en la pantalla V indican la sucesión de las distintas fases de arranque que se describen en la página 10.

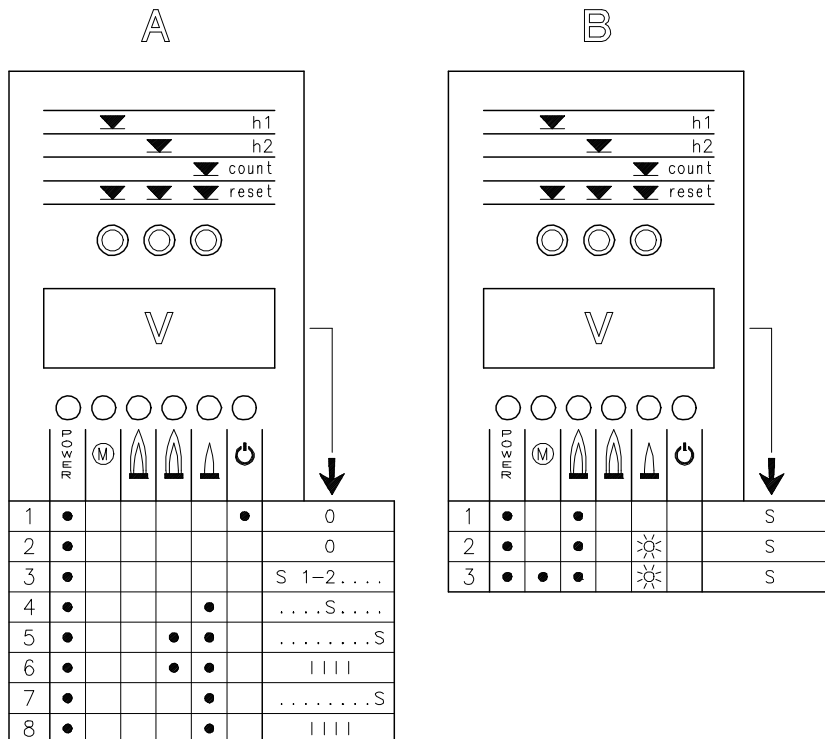
3 - EN CASO DE AVERÍA DEL QUEMADOR, INDICA EL MOMENTO EXACTO EN QUE OCURRIÓ LA ANOMALÍA

Existen 3 posibles combinaciones de LEDs encendidos; ver Fig. (B).

Sobre las causas de la avería, ver los números que hay entre paréntesis y la página 14 para su significado.







- 1 (9 ÷ 10)
- 2 (11 ÷ 29)
- 3 (32)

Significado de los símbolos



- ☀ = LED intermitente
- = LED encendido
- S = Tiempo en segundos
- I I I I = La etapa de arranque ha concluido

(A)

-  = Presencia de tensión
-  = Bloqueo motor ventilador (rojo)
-  = Bloqueo quemador (rojo)
-  = Funcionamiento 2ª llama
-  = Funcionamiento 1ª llama
-  = Fase de Espera del Programador, led: encendido

D478

ACCESORIOS (suministro bajo demanda):

- **STATUS** (ver página 15): cod. **3010322**

- **KIT PROTECCIÓN CONTRA LAS INTERFERENCIAS RADIO**

En caso de instalar el quemador en ambientes especiales expuestos a interferencias radio (emisión de señales de más de 10 V/m) debido a la presencia de INVERTER o en aplicaciones donde las conexiones del termostato superan los 20 metros de longitud, se encuentra disponible un kit de protección como interfaz entre la caja de control y el quemador.

QUEMADOR	RL 64 MZ
Código	3010386

- **DESGASIFICADOR**

Es posible que en el gasóleo aspirado por la bomba haya aire proveniente del mismo gasóleo bajo presión o desde algún cierre imperfecto. En las instalaciones de dos tubos, el aire retorna en la cisterna desde el tubo de retorno; por el contrario, en las instalaciones de un tubo sigue circulando causando variaciones de presión en la bomba y un funcionamiento defectuoso del quemador. Para resolver este problema, aconsejamos, para las instalaciones de un tubo, instalar un desgasificador cerca del quemador. Está disponible en dos versiones:

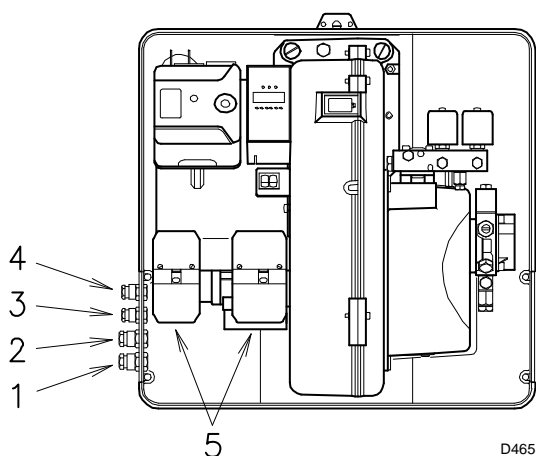
- COD. **3010054** sin filtro
- COD. **3010055** con filtro

Características desgasificador

- Caudal quemador : 80 kg/h max
- Presión gasóleo : 0,7 bar max
- Temperatura ambiente : 40 °C max
- Temperatura gasóleo : 40 °C max
- Racores de unión : 1/4 pulgada

- **KIT CONTACTOS LIMPIOS: cod. 3010419**

Conexión eléctrico



NOTAS

Las conexiones eléctricas se deben realizar según las normas vigentes del país de destino y por personal cualificado.

Riello S.p.A. declina toda responsabilidad por modificaciones o conexiones diferentes de las indicadas en estos esquemas.

Utilizar cables flexibles según norma EN 60 335-1.

Todos los cables que se conecten al quemador deben pasar por los pasacables.

El uso de los pasacables se puede realizar de formas diferentes; a modo de ejemplo, indicamos la forma siguiente:

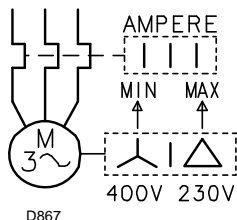
- 1-Pg 11 alimentación trifásica
- 2-Pg 11 alimentación monofásica
- 3-Pg 9 termostato TL
- 4-Pg 9 termostato TR

CALIBRACIÓN RELÉ TÉRMICO

Sirve para evitar que se queme el motor por un fuerte aumento del consumo debido a la ausencia de una fase.

- Si el motor es alimentado en estrella, **400 V**, el cursor debe situarse en "MIN".
- Si el motor es alimentado a triángulo, **230 V**, el cursor debe situarse en "MAX".

Aunque la escala del relé térmico no comprenda el consumo nominal del motor a 400 V, la protección está igualmente asegurada.



NOTAS

- Los quemadores salen de fábrica preparados para una alimentación eléctrica a **400 V**. Si la alimentación es a **230 V**, cambiar el conexionado del motor (de estrella a triángulo) y la regulación del relé térmico.
- Los quemadores han sido homologados para funcionar de modo intermitente. Ello significa que deben pararse "por Norma" al menos una vez cada 24 horas para permitir que la caja de control efectúe una verificación de la eficacia al arranque. Normalmente, el paro del quemador está asegurado por el termostato de la caldera. Si no fuese así, debería colocarse en serie con el interruptor IN, un interruptor horario que parase el quemador al menos una vez cada 24 horas.
- El quemador sale de fábrica preparado para el funcionamiento billama y debe, por tanto, conectarse el termostato TR que manda la electroválvula V2 del gasóleo. En cambio, si se desea que funcione a monollama, sustituir el termostato TR por un puente entre los bornes T6 y T8 de los conector X4.



ATENCIÓN:

- No invertir el neutro con la fase en la línea de alimentación eléctrica. la inversión provocaría un bloqueo por fallo en el encendido.
- Sustituir los componentes sólo con recambios originales.

CARACTERÍSTICAS TÉCNICAS página 2
CARACTERÍSTICAS ELÉCTRICAS2
Versões construtivas 2
Descrição do queimador3
Embalagem - Peso3
Dimensões 3
Forma de fornecimento3
Gráficos Caudal, Potência-Sobrepresão 4
Caldeira de ensaio 4

INSTALAÇÃO5
Posição de funcionamento5
Placa da caldeira5
Comprimento do tubo de fogo5
Fixação do queimador à caldeira5
Seleção boquilhas 1ª e 2ª chama5
Montagem das boquilhas6
Regulação do cabeçal de combustão6
Regulação do registro do ventilador6
Instalação hidráulica7
Bomba8
Regulação do queimador9
Funcionamento do queimador10
Controlo final11
Manutenção11
Diagnóstico programa de arranque13
Desbloqueio do equipamento e utilização do diagnóstico13
Anomalia - Causa Provável - Solução14
Status (por encomenda)15
Acessórios16

APÊNDICE17
Ligações eléctricas17
Esquema quadro eléctrico18

Nota

As figuras mencionadas no texto identificam-se da seguinte forma:

- 1)(A) =Pormenor 1 da figura A, na mesma página que o texto;
- 1)(A)p.3 =Pormenor 1 da figura A, página Nº 3.

INTRODUÇÃO

O manual de instrução fornecido junto com o queimador:

- é parte integrante e essencial do produto e não deve ser separado do mesmo; portanto, deve ser conservado com cuidado caso se necessite consultá-lo, e deve acompanhar o queimador se este for cedido a um outro proprietário ou usuário, ou em caso de transferência a um outro estabelecimento. Em caso de dano ou perda, de ser pedido um outro exemplar ao Serviço de Assistência Técnica **RIELLO** de Zona;
- foi realizado para ser utilizado por pessoal qualificado;
- fornece importantes indicações e advertências sobre a segurança na instalação, a colocação em funcionamento, o uso e a manutenção do queimador.

ENTREGA DA INSTALAÇÃO E DO MANUAL DE INSTRUÇÕES

Por ocasião da entrega da instalação, é necessário que:

- O manual de instruções seja entregue pelo fornecedor da instalação ao usuário, com a advertência que este seja conservado no local de instalação do gerador de calor.
- No manual de instruções estão indicados:
 - o número de matrícula do queimador;

.....

- o endereço e o número de telefone do Centro de Assistência mais próximo;

.....
.....
.....

- O fornecedor da instalação deve informar o usuário atentamente sobre:
 - o uso da instalação,
 - os eventuais ulteriores testes que forem necessários antes da activação da instalação,

- a manutenção e a necessidade de submeter a instalação pelo menos uma vez por ano ao controlo de um funcionário do Construtor ou por um outro técnico especializado.

Para garantir um controlo periódico, **RIELLO** recomenda-se a estipulação de um Contrato de Manutenção.

Declaração do fabricante			
RIELLO S.p.A. declara que os seguintes produtos respeita os valores limite dos NOx impostos pela normativa alemã "1. BIm-SchV versão 26.01.2010".			
Produto	Tipo	Modelo	Potência
Queimadores a gasóleo	974 T	RL 64 MZ	206 - 830 kW

Legnago, 01.02.2012

Ing. G. Conticini
Direção Divisão Queimadores
RIELLO S.p.A.



CARACTERÍSTICAS TÉCNICAS

MODELO			RL 64 MZ
TIPO			974 T
POTÊNCIA ⁽¹⁾	2ª chama	kW	391 - 830
		Mcal/h	336 - 714
CAUDAL ⁽¹⁾	1ª chama	kg/h	33 - 70
		kW	206 - 391
		Mcal/h	177 - 296
		kg/h	17,4 - 33
COMBUSTÍVEL			GASÓLEO
- Poder Calorífico Inferior		kWh/kg	11,8
		Mcal/kg	10,2 (10.200 kcal/kg)
- Densidade absoluta		kg/dm ³	0,82 - 0,85
- Viscosidade a 20 °C		mm ² /s max	6 (1,5 °E - 6 cSt)
FUNCIONAMENTO			<ul style="list-style-type: none"> Intermitente (mín. 1 paragem em 24 horas). 2 chamas (2ª e 1ª) ou 1 chama (tudo-nada).
BOMBA	Caudal (a 12 bar)	kg/h	107
	Pressões limite	bar	10 - 20
	Temp. combustível	° C max	60
BOQUILHAS		número	2
UTILIZAÇÃO			Caldeiras: de água, a vapor e óleo térmico
TEMPERATURA AMBIENTE		°C	0 - 40
TEMPERATURA AR COMBURENTE		°C max	60
CONFORMIDADE DIRECTIVAS CEE			2004/108 - 2006/95 - 92/42 - 2006/42
NÍVEL SONORO ⁽²⁾		dBA	76
HOMOLOGAÇÃO		CE	0036 0382/07

(1) Condições de referência: Temperatura ambiente 20°C - Pressão barométrica 1000 mbar - Altitude acima do nível do mar 100 metros.

(2) Pressão acústica medida em laboratório de combustão do construtor, com o queimador funcionando em caldeira de ensaio à máxima potência.

CARACTERÍSTICAS ELÉCTRICAS

MOTOR IE1

MODELO		RL 64 MZ
ALIMENTAÇÃO ELÉCTRICA	V	230 - 400 con neutro ~ +/-10%
	Hz	50 - Trifásica
MOTOR ELÉCTRICO	rpm	2800
	W	1100
	V	220/240 - 380/415
	A	4,7 - 2,7
TRANSFORMADOR DE ACENDIMENTO	V1 - V2	230 V - 2 x 12 kV
	I1 - I2	0,2 A - 30 mA
POTENCIA ELÉCTRICA ABSORVIDA	W max	1800
GRAU DE PROTECÇÃO		IP 44

MOTOR IE2

MODELO		RL 64 MZ
ALIMENTAÇÃO ELÉCTRICA	V	230 - 400 con neutro ~ +/-10%
	Hz	50 - Trifásica
MOTOR ELÉCTRICO	rpm	2880
	W	1100
	V	230/400
	A	4,3 - 2,5
TRANSFORMADOR DE ACENDIMENTO	V1 - V2	230 V - 2 x 12 kV
	I1 - I2	0,2 A - 30 mA
POTENCIA ELÉCTRICA ABSORVIDA	W max	1650
GRAU DE PROTECÇÃO		IP 44

VERSÕES CONSTRUTIVAS

Modelo	Código	Comprimento do tubo de fogo mm
RL 64MZ	3470400 - 3470410	250
	3470401 - 3470411	385

DESCRIÇÃO DO QUEIMADOR (A)

- 1 Electrodo de acendimento
- 2 Cabeçal de combustão
- 3 Parafuso de regulação do cabeçal de combustão
- 4 Segurança contra falha de chama através de fotorresistência
- 5 Parafuso de fixação do ventilador à flange
- 6 Guias para abertura do queimador e inspeção do cabeçal de combustão
- 7 Cilindro hidráulico para regular o registo de ar na posição de 1ª e 2ª chama. Quando o queimador está parado, o registo do ar está completamente fechado para reduzir ao mínimo a dispersão térmica da caldeira devido à tiragem que toma ar da boca de aspiração do ventilador.
- 8 Electroválvula de segurança
- 9 Bomba
- 10 Suporte com 4 orifícios para passagem de tubos flexíveis e eléctricos.
- 11 Entrada de ar no ventilador
- 12 Tomada de pressão do ventilador
- 13 Flange para fixação à caldeira
- 14 Disco estabilizador da chama
- 15 Visor da chama
- 16 Prolongadores guias 6)
- 17 Contactor motor e relé térmico com botão de desbloqueio
- 18 Grupo de válvulas 1ª e 2ª chama
- 19 Caixa de controlo com piloto luminoso de bloqueio e botão de desbloqueio
- 20 Dois interruptores eléctricos:
 - um de "arranque-paragem" do queimador
 - um para "1ª chama - 2ª chama".
- 21 Fichas para a ligação eléctrica
- 22 Registo de ar
- 23 Regulação de pressão da bomba
- 24 Protecção motor

Existem duas possibilidades de bloqueio do queimador:

Bloqueio da caixa de controlo: ao ficar aceso (**Led vermelho**) o botão da caixa 19)(A) indica que o queimador está bloqueado.

Para desbloquear, premir o botão por um período de tempo compreendido entre 1 e 3 segundos.

Bloqueio do motor: para desbloquear, carregar no botão do relé térmico 17)(A).

EMBALAGEM - PESO (B) - Medidas aproximadas

- Os queimadores são fornecidos em embalagem de cartão, cujas dimensões são especificadas na tabela (B).
- O peso do queimador completo com a embalagem é indicado na tabela (B).

DIMENSÕES MÁXIMAS (C) - Medidas aproximadas

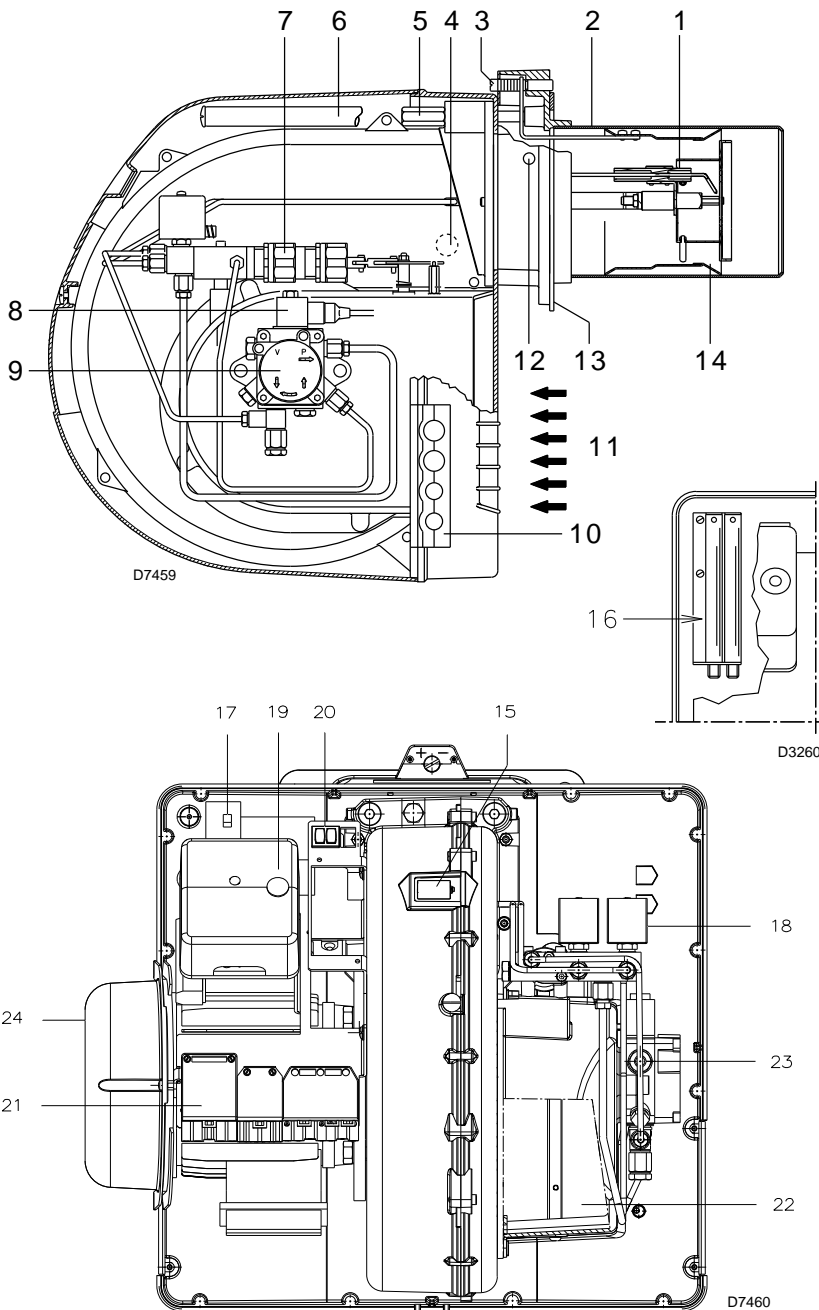
As dimensões máximas do queimador são indicadas em (C).

Ter em conta que para inspeccionar o cabeçal de combustão, o queimador deve ser aberto deslocando a parte posterior pelas guias.

O comprimento máximo do queimador aberto, sem envolver, está indicado pela cota I.

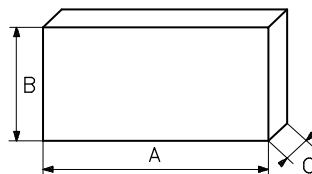
FORMA DE FORNECIMENTO

- 2 - Tubos flexíveis
- 2 - Juntas para tubos flexíveis
- 2 - Racords para tubos flexíveis
- 1 - Junta isolante
- 2 - Prolongadores 25)(A) para guias 6)(A) (só em modelos com cabeçal de 385 mm)
- 4 - Parafusos M 12 x 35 fixação do queimador à caldeira
- 4 - Passacabos ligação eléctrica
- 1 - Protecção motor (com parafuso de fixação)
- 1 - Grupo pinos
- 1 - Instruções
- 1 - Lista de peças de substituição

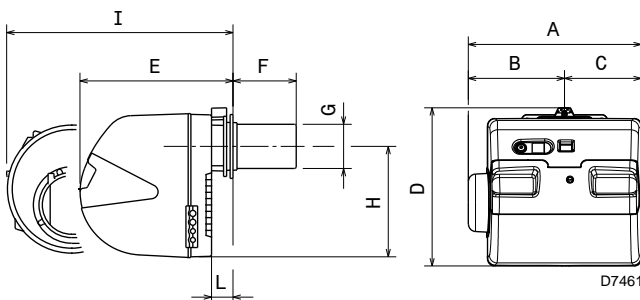


(A)

mm	A	B	C	kg
RL 64 MZ	1200	520	580	42



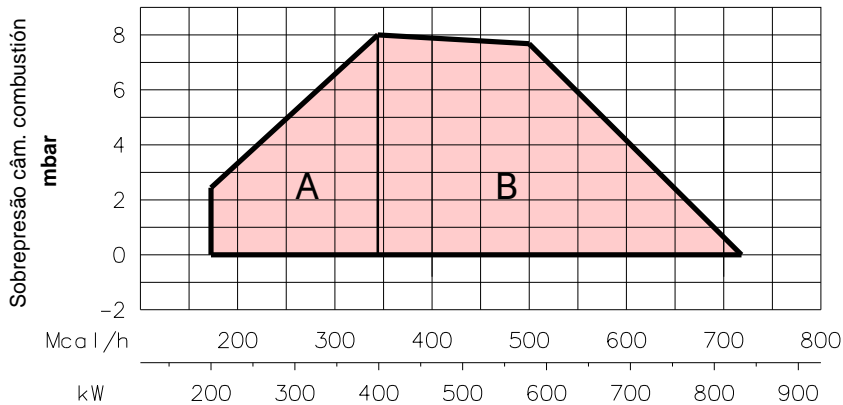
(B)



mm	A	B	C	D	E	F ₍₁₎	G	H	I ₍₁₎	L
RL 64 MZ	533	300	238	490	477	250 - 385	179	335	680 - 815	60

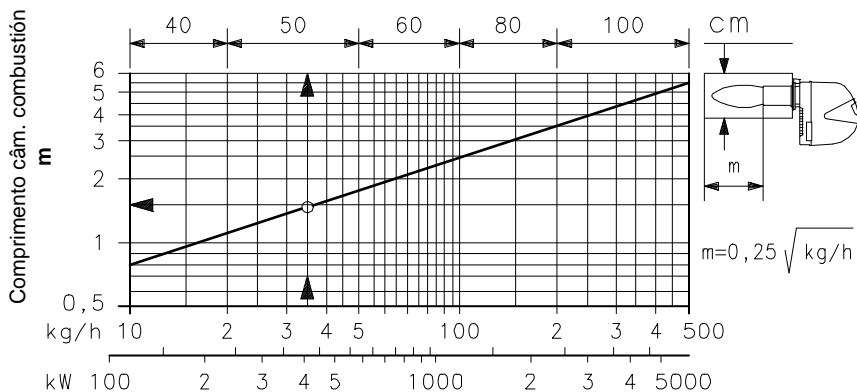
(1) Tubo de fogo: curto-longo

(C)



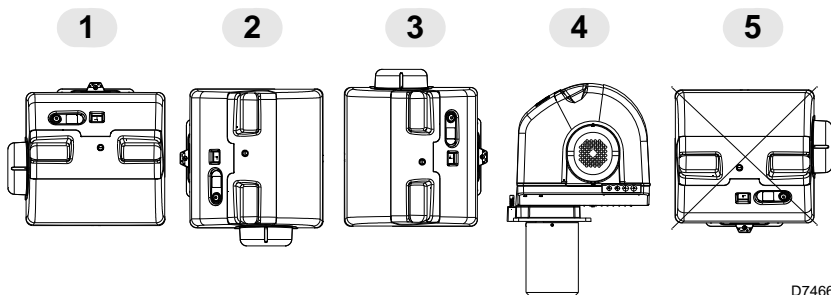
(A)

D7465



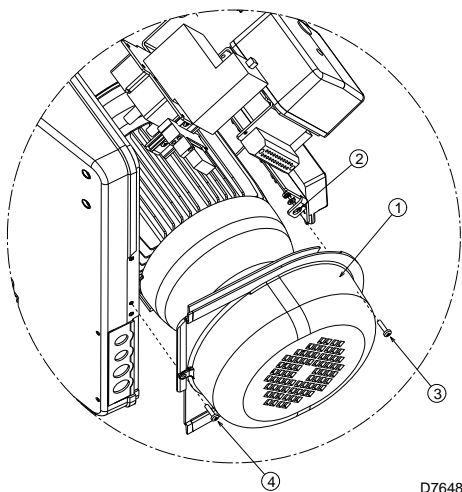
(B)

D454



(C)

D7466



(D)

D7648

GRÁFICOS CAUDAL, POTÊNCIA-SOBRE-PRESSÃO (A)

Estes queimadores podem funcionar de duas formas: mono-chama e bi-chama.

O **CAUDAL** na 1ª chama deve ser seleccionado dentro da zona A do gráfico indicado na margem.

O **CAUDAL** na 2ª chama deve ser seleccionado dentro da zona B. Esta zona proporciona o caudal máximo do queimador em função da pressão que existe na câmara de combustão.

O ponto de trabalho pode ser achado traçando uma vertical da potência desejada e uma horizontal da pressão correspondente na câmara de combustão. O ponto de encontro das duas rectas é o ponto de trabalho que deve estar situado na zona B.

Atenção:

Estes gráficos foram determinados considerando uma temperatura ambiente de 20°C e uma pressão barométrica de 1000 mbar (aprox. 100 metros acima do nível do mar) e com o cabeçal de combustão regulado como está indicado na página 6.

CALDEIRA DE ENSAIO (B)

Os gráficos obtiveram-se a partir de caldeiras de ensaio especiais, conforme o método indicado na norma EN 267.

Na figura (B) é indicado o diâmetro e o comprimento da câmara de combustão da caldeira de ensaio.

Exemplo: Caudal 35 kg/hora;
diâmetro = 50 cm; comprimento = 1,5 m.

Se o queimador é instalado numa caldeira comercial com uma câmara de combustão muito mais pequena, deve ser feito um ensaio antes.

INSTALAÇÃO



A INSTALAÇÃO DO QUEIMADOR DEVE SER REALIZADA EM CONFORMIDADE COM AS LEIS E NORMAS LOCAIS.

POSIÇÃO DE FUNCIONAMENTO (C)



O queimador está pre-configurado exclusivamente para o funcionamento nas posições 1, 2, 3 e 4.

A instalação 1 é preferível pois é a única que permite a manutenção como descrita a seguir neste manual. As instalações 2, 3 e 4 consentem o funcionamento mas tornam menos acessíveis as operações de manutenção e inspecção do cabeçal de combustão pág. 12.



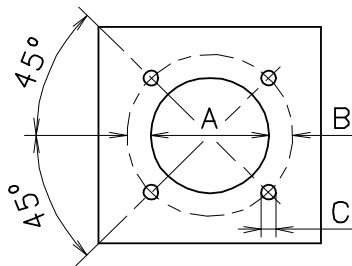
Qualquer outro posicionamento pode comprometer o bom funcionamento do aparelho. A instalação 5 é proibida por motivos de segurança.



ANTES DE MONTAR A CAIXA É NECESSÁRIO FIXAR A PROTECÇÃO DO MOTOR, FORNECIDA JUNTO (1)(D), NA HASTE (2)(D), UTILIZANDO OS APROPRIADOS PARAFUSOS (3)(D) COM PORCA E ANILHA.

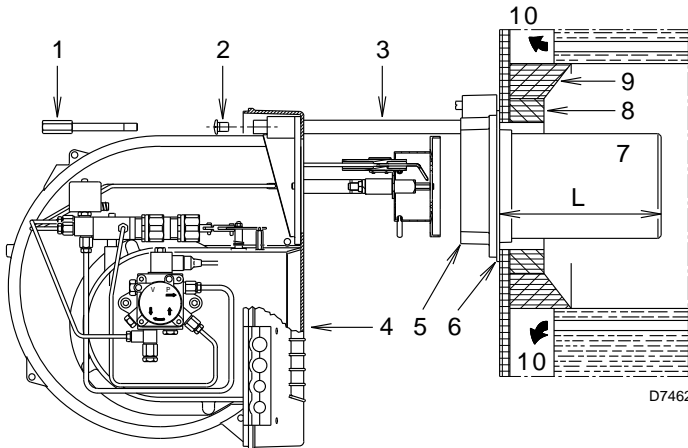
FIXAR A HASTE AO ESCUDO ANTERIOR DO QUEIMADOR MEDIANTE O PARAFUSO (4)(D).

mm	A	B	C
RL 64 MZ	185	275-325	M12



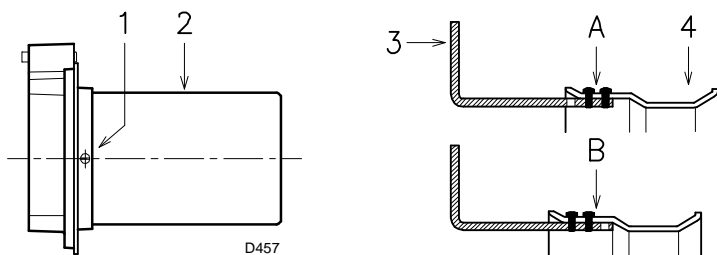
(A)

D455



(B)

D7462



(C)

D457

PLACA DA CALDEIRA (A)

Furar a placa de fecho da câmara de combustão, tal como está indicado em (A). A posição dos orifícios roscados pode ser marcada utilizando a junta isolante que é fornecida com o queimador.

COMPRIMENTO DO TUBO DE FOGO (B)

O comprimento do tubo de fogo deve ser escolhido de acordo com as indicações do fabricante da caldeira e, em qualquer caso, deve ser maior que a espessura da porta da caldeira completa, com o material refractário incluído. Os comprimentos, L (mm), disponíveis são:

Tubo fogo 7):

- normal 250
- longo 385

Para as caldeiras com passagens de fumos dianteiras 10) ou com câmara de inversão da chama, colocar uma protecção de material refractário 8) entre o refractário da caldeira 9) e o tubo de fogo 7). Esta protecção deve permitir que o tubo de fogo se desloque.

Nas caldeiras com a frente refrigerada por água, não é necessário o revestimento refractário 8)-9)(B), excepto se o fabricante da caldeira assim o indicar.

FIXAÇÃO DO QUEIMADOR À CALDEIRA (B)

Desmontar o tubo de fogo 7) do queimador 4).

- Tirar os parafusos 2) das duas guias 3).
- Tirar o parafuso 1) que fixa o queimador 4) à flange 5).
- Retirar o tubo de fogo 7) com a flange 5) e as guias 3).

Fixar a flange 5)(B) à placa da caldeira, intercalando a junta 6) fornecida. Usar os 4 parafusos fornecidos, depois de haver protegido a rosca com um produto antibloqueio (massa para altas temperaturas, copounds, grafite).

A união do queimador à caldeira deve ser hermética.

SELECÇÃO DAS BOQUILHAS PARA 1ª E 2ª CHAMA

As duas boquilhas devem ser escolhidas entre as que figuram na tabela (D).

A primeira boquilha determina o caudal do queimador na 1ª chama.

A segunda boquilha funciona em conjunto com a primeira e, as duas, determinam o caudal do queimador em 2ª chama.

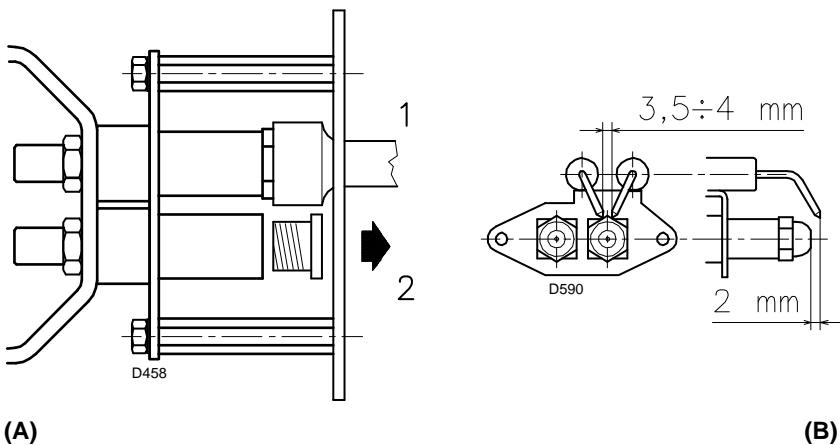
Os caudais da 1ª e 2ª chama devem estar compreendidos entre os valores indicados na pág. 2. Utilizar de preferéncia boquilhas com ângulo de pulverização de 60° e pressão a 12 bar.

Geralmente, as duas boquilhas são do mesmo caudal, mas, se necessário, a boquilha da 1ª chama pode ter:

- um caudal inferior a 50%, relativamente ao caudal total, quando se deseja reduzir um pouco a contrapressão no momento do acendimento;
- um caudal superior a 50% do caudal total, quando se deseja melhorar a combustão em 1ª chama.

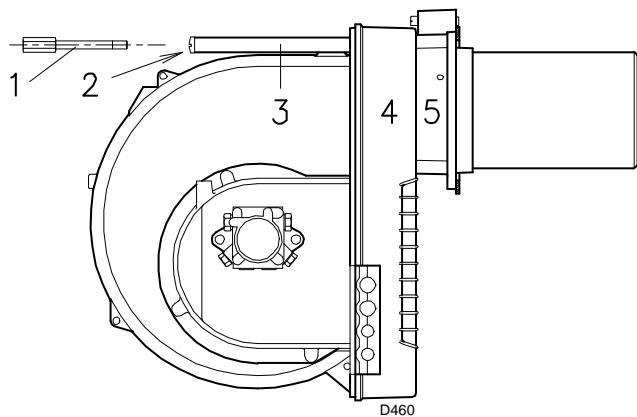
60	GPH	kg/h (1)			kW 12 bar
		10 bar	12 bar	14 bar	
RL 64 MZ	4,00	15,4	17,0	18,4	201,6
	4,50	17,3	19,1	20,7	226,5
	5,00	19,2	21,2	23,1	251,4
	5,50	21,1	23,3	25,4	276,3
	6,00	23,1	25,5	27,7	302,4
	6,50	25,0	27,6	30,0	327,3
	7,00	26,9	29,7	32,3	352,3
	7,50	28,8	31,8	34,6	377,2
	8,00	30,8	33,9	36,9	402,1
	8,30	31,9	35,2	38,3	417,5
	8,50	32,7	36,1	39,2	428,2
	9,00	34,6	38,2	41,5	453,1
	9,50	36,5	40,3	43,8	478,0
	10,0	38,4	42,4	46,1	502,9
	10,5	40,4	44,6	48,4	529,0
	11,0	42,3	46,7	50,7	553,9
	12,0	46,1	50,9	55,3	603,7
	12,3	47,3	52,2	56,7	619,1
13,0	50,0	55,1	59,9	653,5	
13,8	53,1	58,5	63,3	693,8	
14,0	53,8	59,4	64,5	704,5	
15,0	57,7	63,6	69,2	754,3	
15,3	58,8	64,9	70,5	769,7	
16,0	61,5	67,9	73,8	805,3	
17,0	65,4	72,1	78,4	855,1	

(1) gasóleo: densidade 0,84 kg/dm³ - viscosidade 4,2 cSt/20 °C - temperatura 10 °C (D)

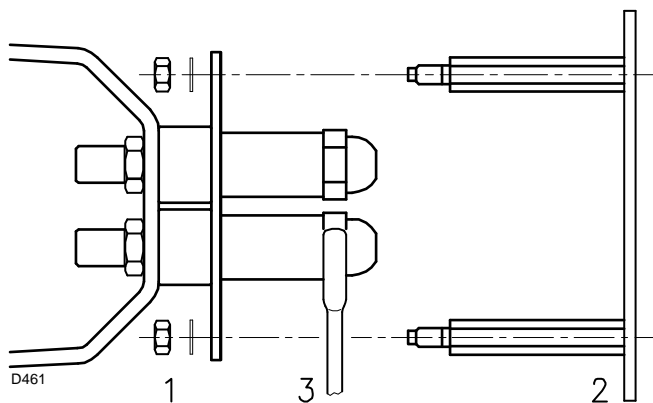


(A)

(B)

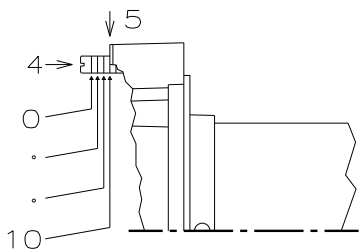


(C)

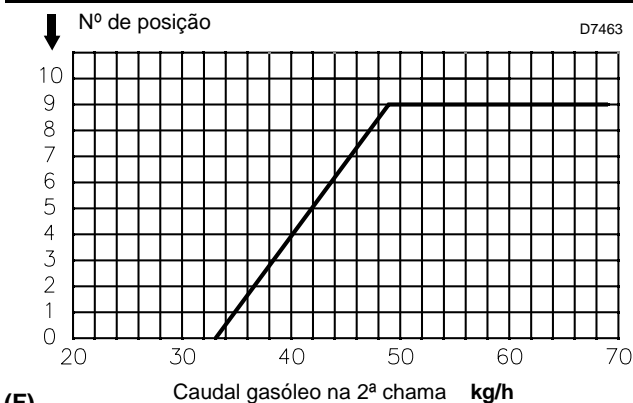


(D)

REGULAÇÃO CABEÇAL DE COMBUSTÃO



(E)



(F)

Exemplo

Potência caldeira = 635 kW - rendimento 90 %

Potência no queimador =

$635 : 0,9 = 705 \text{ kW}$

$705 : 2 = 352 \text{ kW por boquilha}$

isto é, são necessárias duas boquilhas iguais de 60° e 12 bar de pressão:

1° = 7,00 GPH - 2° = 7,00 GPH,

ou então duas boquilhas diferentes:

1° = 6,00 GPH - 2° = 8,00 GPH,

ou:

1° = 8,00 GPH - 2° = 6,00 GPH.

MONTAGEM DAS BOQUILHAS

Neste ponto da instalação, o queimador está ainda separado do tubo de fogo; é, portanto, possível montar a boquilha com a chave de tubo 1)(A) (de 16 mm) depois de se terem retirado os tampões de plástico 2)(A), passando pela abertura central do disco estabilizador de chama. Não utilizar produtos estanques tais como juntas, fitas adesivas ou silicone. Ter o cuidado de não danificar ou riscar o assento de estanqueidade da boquilha. O aperto da boquilha deve ser forte, mas sem chegar ao par máximo que a chave permite.

A boquilha para a 1ª chama de funcionamento é a que se encontra por baixo dos eléctrodos de acendimento, Fig. (B).

Verificar que os eléctrodos estão posicionados como se indica na Fig. (B).

Por último, voltar a montar o queimador 4)(C) sobre as guias 3), deslocando-o até à flange 5), mantendo-o ligeiramente levantado para evitar que o disco estabilizador de chama tropece no tubo de fogo.

Apertar os parafusos 2) das guias 3) e o parafuso 1) que fixa o queimador à flange.

Caso seja necessário substituir as boquilhas com o queimador já instalado na caldeira, proceder da seguinte forma:

- Deslocar o queimador sobre as guias, tal como indica a Fig. (B)p.5.
- Tirar as porcas 1)(D) e o disco 2)
- Substituir a(s) boquilha(s) com a chave 3)(D).

REGULAÇÃO DO CABEÇAL DE COMBUSTÃO

A regulação do cabeçal de combustão depende unicamente do caudal do combustível do queimador na 2ª chama, isto é, da soma dos caudais das duas boquilhas seleccionadas na pág. 6.

Rodar o parafuso 4)(E) até que o número de posição indicado no gráfico (F) coincida com o plano anterior da flange 5)(E).

Exemplo:

RL 64 MZ com duas boquilhas de 7,00 GPH e pressão de 12 bar na bomba.

Na tabela (D) pag. 5 calcular o caudal das duas boquilhas de 7,00 GPH:

$29,7 + 29,7 = 59,4 \text{ kg/h}$.

O gráfico (F) indica que o queimador RL 64 MZ para um caudal de 59,4 kg/h, necessita uma regulação do cabeçal de combustão na posição 9 aproximadamente, tal como indica a fig. (E).

INSTALAÇÃO HIDRÁULICA

ALIMENTAÇÃO DE COMBUSTÍVEL

Alimentação com dois tubos (A)

O queimador está provido de uma bomba auto-ferrante que é capaz de se auto-alimentar, dentro dos limites que figuram na tabela que está na margem.

Depósito mais alto que o queimador A

A cota P não deve ser superior a 10 metros para não submeter o retentor da bomba a uma pressão excessiva; e a cota V não deve ser superior a 4 metros para que a bomba se possa auto-ferrar, inclusive com o depósito quase vazio.

Depósito mais baixo que o queimador B

Não se deve ultrapassar uma depressão na bomba de 0,45 bar (35 cm Hg). Com uma depressão superior parte do combustível gaseificar-se-ia, a bomba faria ruído e encurtar-se-ia a vida da mesma.

É aconselhável que o tubo de retorno e o de aspiração entrem no queimador à mesma altura; desta forma será mais difícil que se produza o desferrar do tubo de aspiração.

Alimentação em anel

A alimentação em anel é formada por um tubo que sai do depósito e retorna a este, com uma bomba auxiliar que faz circular o combustível à pressão. Uma derivação do anel alimenta o queimador. Este sistema é útil quando a bomba do queimador não é capaz de se auto-alimentar porque a distância ou o desnível em relação ao depósito são superiores aos valores indicados na Tabela.

Legenda

- H = Desnível bomba-válvula de fundo
- L = Comprimento da tubagem
- Ø = Diâmetro interior do tubo
- 1 = Queimador
- 2 = Bomba
- 3 = Filtro
- 4 = Válvula de corte
- 5 = Tubo de aspiração
- 6 = Válvula de pé
- 7 = Válvula manual de fecho rápido, com comando à distância (somente em Itália)
- 8 = Electroválvula de fecho (somente em Itália)
- 9 = Tubo de retorno
- 10 = Válvula de retenção (somente em Itália)

LIGAÇÕES HIDRÁULICAS (B)

As bombas têm um by-pass que comunica o retorno com a aspiração. Estão instaladas no queimador, com o by-pass fechado através do parafuso 6)(B)p.10.

Assim, é necessário ligar os dois tubos à bomba. Se a bomba funcionar com o retorno fechado e o parafuso do by-pass colocado, avaria-se de imediato.

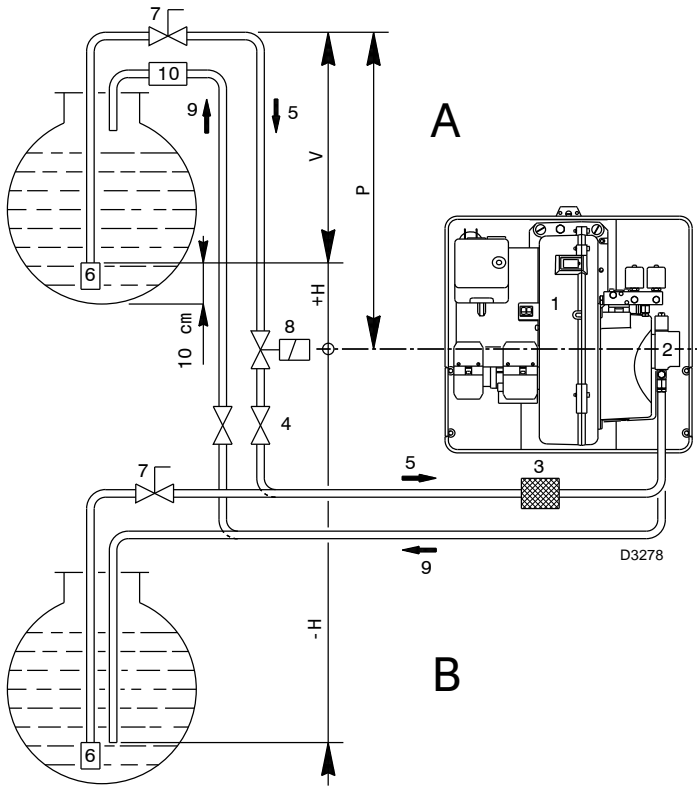
Retirar os tampões das ligações de aspiração e de retorno da bomba.

No seu lugar rosar os tubos flexíveis com as juntas que são fornecidas.

Ao montar os tubos flexíveis, estes não devem ser submetidos a torções nem a alongamentos. Passar os tubos flexíveis pelos dois orifícios da placa, de preferência pelo lado direito, fig. (B): retirar os parafusos 1), abrir a placa em duas partes 2) e 3) e recortar a membrana que cobre os orifícios 4).

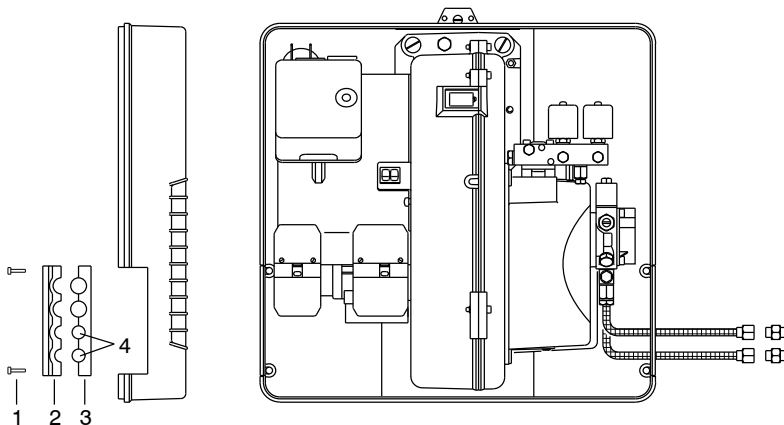
Colocar os tubos de forma a que não possam ser pisados nem estejam em contacto com as superfícies quentes da caldeira.

Por último, unir o outro extremo dos tubos flexíveis aos nipples, fornecidos de série, usando duas chaves: uma no conector giratório do tubo flexível, para rosar, e uma no nipples, para sustentar o esforço de reacção.



+ H - H (m)	L (m)		
	Ø (mm)		
	10	12	14
+ 4,0	51	112	150
+ 3,0	45	99	150
+ 2,0	39	86	150
+ 1,0	32	73	144
+ 0,5	29	66	132
0	26	60	120
- 0,5	23	54	108
- 1,0	20	47	96
- 2,0	13	34	71
- 3,0	7	21	46
- 4,0	-	8	21

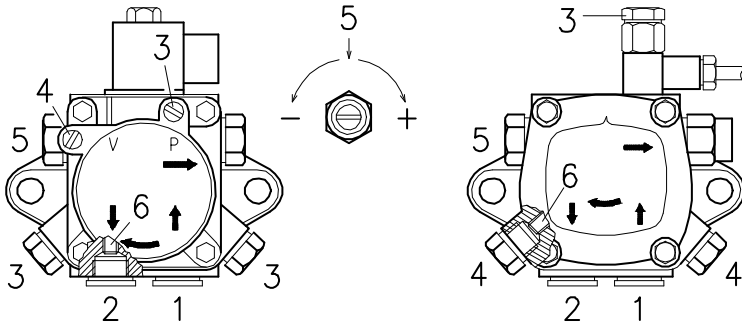
(A)



(B)

D3279

SUNTEC AL 95 C



D706

BOMBA (A)

- 1 - Aspiração G 1/4"
- 2 - Retorno G 1/4"
- 3 - Ligação manómetro G 1/8"
- 4 - Ligação vacuómetro G 1/8"
- 5 - Regulação da pressão
- 6 - Parafuso de by-pass

- A - Caudal mínimo a 12 bar de pressão
- B - Campo de regulação da pressão de saída
- C - Depressão máxima em aspiração
- D - Campo de viscosidade
- E - Temperatura máxima do gasóleo
- F - Pressão máx. em aspiração e retorno
- G - Regulação da pressão em fábrica
- H - Largura da malha do filtro

ALIMENTAÇÃO DA BOMBA

- Antes de pôr o queimador em funcionamento, certificar-se de que o tubo de retorno ao depósito não está obstruído, o que provocaria a ruptura do retentor do eixo da bomba. (A bomba sai de fábrica com a válvula de by-pass fechada).
- Com o fim de que a bomba se possa auto-alimentar, é indispensável aliviar o parafuso 3)(A) da bomba para purgar o ar que possa haver no tubo de aspiração.
- Colocar em funcionamento o queimador fechando os termostatos e com o interruptor 1)(B)p.9 na posição "MARCHA". A bomba deve rodar no sentido da seta que esta marcada na cobertura.
- Quando o gasóleo sai pelo parafuso 3), indica que a bomba está alimentada. Parar o queimador: interruptor 1)(B)p.9 na posição "PARAGEM" e apertar o parafuso 3).

O tempo necessário para esta operação depende do diâmetro e do comprimento do tubo de aspiração. Se a bomba não se ferra no primeiro arranque e o queimador bloqueia, esperar cerca de 15 segundos, rearmar e repetir a operação de arranque tantas vezes quantas as necessárias. Por cada 5 ou 6 arranques, esperar 2 ou 3 minutos para que o transformador arrefeça.

Não iluminar a resistência para evitar que o queimador se bloqueie; de qualquer forma, o queimador ficará bloqueado cerca de 10 segundos após o arranque.

Atenção: la operação anteriormente indicada é possível porque a bomba sai de fábrica cheia de combustível. Se a bomba se esvaziou, enchê-la de combustível pelo tampão do vacuómetro antes de a pôr em funcionamento, para evitar que se bloqueie.

Quando o tubo de aspiração tiver mais de 20-30 metros de comprimento, voltar a encher o tubo com uma bomba independente.

BOMBA		AL 95 C
A	kg/h	107
B	bar	10 - 20
C	bar	0,45
D	cSt	2 - 12
E	°C	60
F	bar	2
G	bar	12
H	mm	0,150

(A)

REGULAÇÃO DO QUEIMADOR

ACENDIMENTO

Colocar o interruptor 1)(C) na posição "MAR-CHA".

No primeiro acendimento, ou no momento de passar da 1ª à 2ª chama, produz-se uma diminuição momentânea da pressão do combustível em consequência do enchimento do tubo que alimenta a 2ª boquilha. Esta baixa de pressão pode provocar a paragem do queimador, acompanhada, por vezes, de pulsações.

Uma vez efectuadas as regulações descritas de seguida, o acendimento do queimador deve produzir um ruído semelhante ao de funcionamento. Caso sejam notadas uma ou mais pulsações, ou um atraso no acendimento relativamente à abertura da electroválvula do gásóleo, ver os conselhos indicados na pág. 14: causas 34 ÷ 42.

FUNCIONAMENTO

Para conseguir uma regulação óptima do queimador, é necessário fazer uma análise da combustão à saída da caldeira e actuar sobre os seguintes elementos.

• Boquilhas da 1ª e 2ª chama

Ver o indicado na pág. 5.

• Cabeçal de combustão

A regulação do cabeçal que já tenha sido feito, não necessita de alteração se o caudal do queimador na 2ª chama não variou.

• Pressão da bomba

12 bar: é a pressão regulada de fábrica e a que, normalmente, se deve utilizar. Por vezes, pode ser necessário regulá-la a:

10 bar para reduzir o caudal de combustível. É possível caso a temperatura ambiente permaneça acima dos 0°C. Nunca descer de 10 bar, já que o hidráulico do ar poderia abrir-se com dificuldade.

14 bar para aumentar o caudal do combustível ou para que o queimador acenda bem inclusive a temperaturas inferiores a 0°C.

Para variar a pressão da bomba, usar o parafuso 5)(A)p. 8.

• Registo do ventilador - 1ª chama

Manter o queimador funcionando na 1ª chama, colocando o interruptor 2)(B) na posição 1ª chama. A abertura do registo 1)(A) deve ser proporcional à da boquilha escolhida: o índice 7)(A) deve corresponder com o número da posição indicada na tabela (C). A regulação faz-se rodando o hexágono 4)(A):

- para a direita (sinal -), a abertura diminui;
- para a esquerda (sinal +), a abertura aumenta.

Exemplo:

Boquilha 1ª chama 4,00 GPH:

Situar o nº de posição 26° com o índice 7)(A).

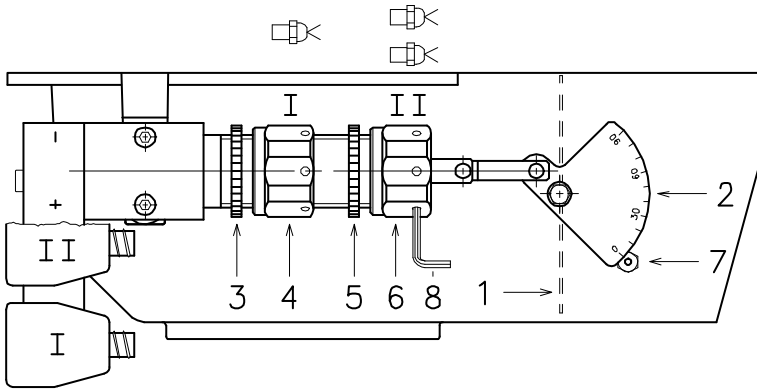
A regulação efectuada deve-se bloquear apertando a contraporca 3) contra o hexágono 4).

• Registo do ventilador - 2ª chama

Colocar o interruptor 2)(B) na posição 2ª chama e regular o registo 1)(A) actuando sobre o hexágono 6)(A), depois de se ter aliviado a contraporca 5)(A).

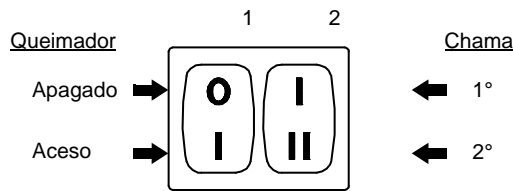
A pressão de ar na toma 1)(E) deve ser a indicada na tabela (D) mais a sobrepressão da câmara de combustão medida na toma 2)(E). Ver exemplo no desenho da figura.

NOTA: Para facilitar a regulação dos hexágonos 4) e 6)(A), utilizar uma chave hexagonal de 3 mm 8)(A).



(A)

D468



(B)

D469

RL 64 MZ	
GPH	α
4,00	26
4,50	28
5,00	31
5,50	33
6,00	35
6,50	36
7,00	37

1ª CHAMA

$\alpha = N^\circ$ posição

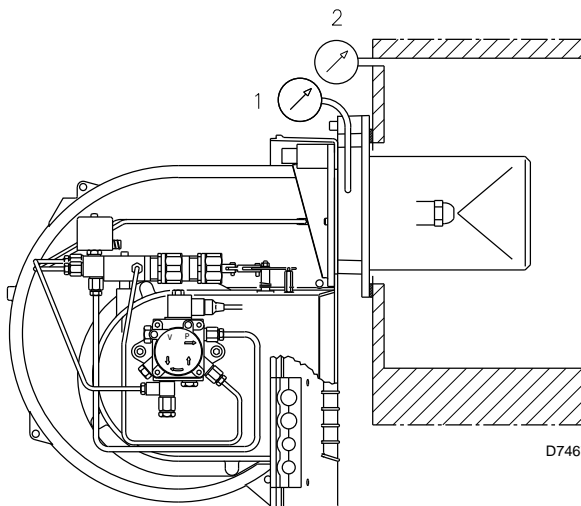
(C)

RL 64 MZ	
kg/h	mbar
33	4,7
37	4,2
41	3,7
45	3,2
49	2,6
53	3,2
57	4,2
60	5,1
63	6,0
66	6,4
69	7,3

2ª CHAMA

mbar = pressão ar na 1), com zero pressão na 2)

(D)



D7467

(E)

FUNCIONAMENTO DO QUEIMADOR

ARRANQUE DO QUEIMADOR (A) - (B)

Fases do arranque com os tempos progressivos em segundos:

- Fecha-se o termostato TL.
- Passados cerca de 3s:
- **0 s** : Inicia o programa da caixa de controle.
- **2 s** : Entra em funcionamento o motor ventilador.
- **3 s** : Gera-se faísca no eléctrodo de acendimento.

A bomba 3) aspira o combustível do depósito através do tubo 1) e do filtro 2) e bombeia-o à pressão. O pistão 4) desloca-se e o combustível regressa ao depósito através dos tubos 5) e 7). O parafuso 6) fecha o by-pass para a aspiração e as electroválvulas 8), 11) e 16), desactivadas, fecham a passagem para as boquilhas.

O hidráulico do ar 15), pistão A, abre o registo de ar e faz a pré-ventilação com o caudal de ar da 1ª chama.

- **22 s** : Abrem-se as electroválvulas 16) e 8); o combustível passa pelo tubo 9) e filtro 10), saindo pulverizado pela boquilha e, ao entrar em contacto com a faísca, acende-se a 1ª chama.
- **29 s** : Apaga-se o transformador de acendimento.
- **36 s** : Se o termostato TR está fechado ou foi substituído por uma ponte, abre-se a electroválvula 11) de 2ª chama, o combustível entra no dispositivo 12) e levanta o relativo pistão que abre duas vias: uma para o tubo 13), o filtro 14) e a boquilha de 2ª chama; e a outra para o hidráulico do ar 15), pistão B, que abre o registo de ar do ventilador na 2ª chama. Finaliza o ciclo de arranque.

FUNCIONAMENTO A REGIME

Instalação com termostato TR

Finalizado o ciclo de arranque, o comando da electroválvula de 2ª chama passa ao termostato TR, que controla a pressão ou a temperatura na caldeira.

- Quando a temperatura ou a pressão aumenta até à abertura do termostato TR, a electroválvula 11) fecha-se e o queimador passa de 2ª a 1ª chama.
- Quando a temperatura ou a pressão diminui até ao fecho do termostato TR, a electroválvula 11) abre-se e o queimador passa de 1ª a 2ª chama; e assim sucessivamente.
- A paragem do queimador produz-se quando as necessidades de calor são menores que as geradas pelo queimador na 1ª chama. O termostato TL abre-se, as electroválvulas 8) e 16) fecham-se, e a chama apaga-se repentinamente. O registo de ar do ventilador fecha-se por completo.

Instalação sem termostato TR, substituído por uma ponte

O arranque do queimador é feito como o indicado anteriormente. Posteriormente, se a temperatura ou a pressão aumenta até à abertura do termostato TL, o queimador apaga-se (segmento A-A do gráfico).

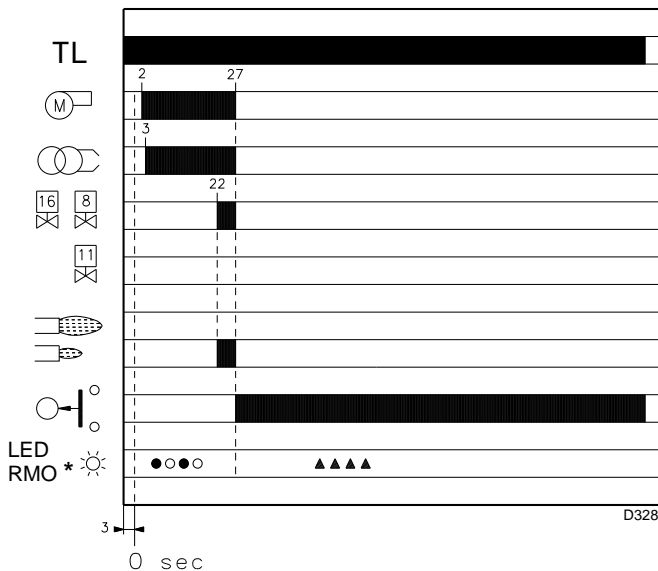
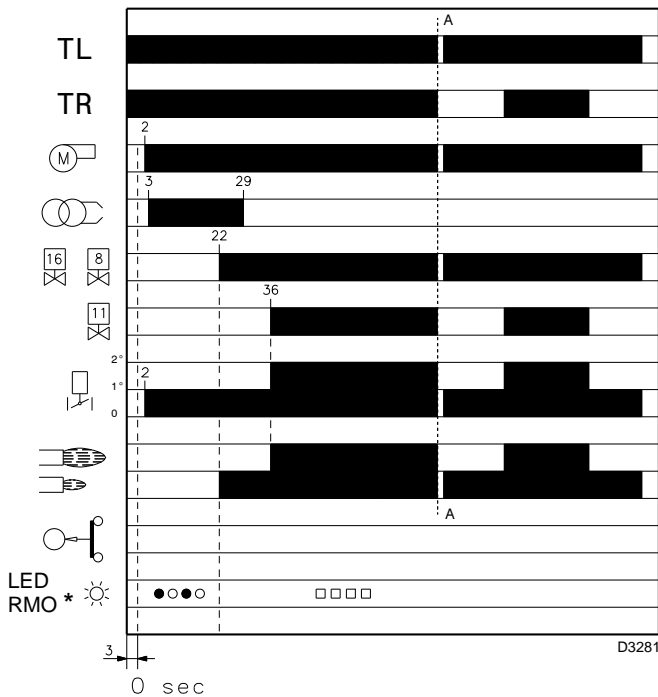
No momento em que a electroválvula 11), o pistão 12) fecha a via para a boquilha 2ª e o combustível existente no hidráulico do ar 15), pistão B, é descarregado na conduta de retorno 7).

FALTA DE ACENDIMENTO

Se o queimador não se acende, produz-se o bloqueio do mesmo num tempo máximo de 5 segundos desde a abertura da electroválvula da 1ª chama e aos 25 ÷ 28 segundos depois do fecho do termostato TL. O piloto da caixa de controlo acende-se.

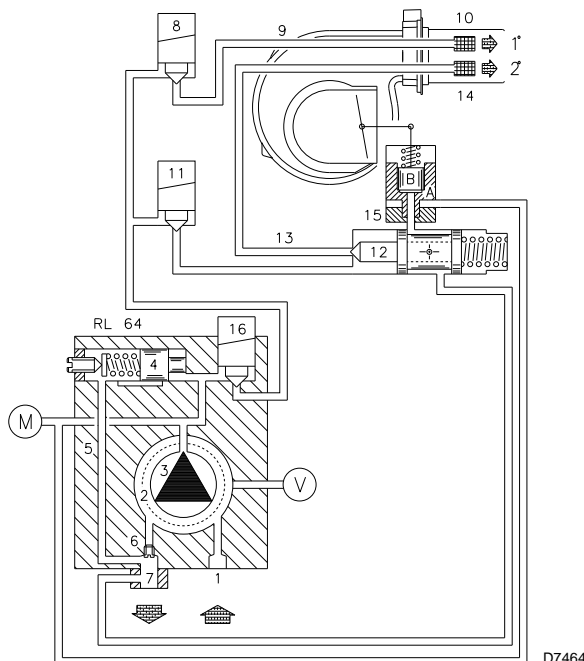
APAGAR DA CHAMA DURANTE O FUNCIONAMENTO

Se a chama se apaga durante o funcionamento do queimador, este bloqueia-se em 1 segundo e faz uma tentativa para entrar em funcionamento, repetindo o ciclo de arranque.

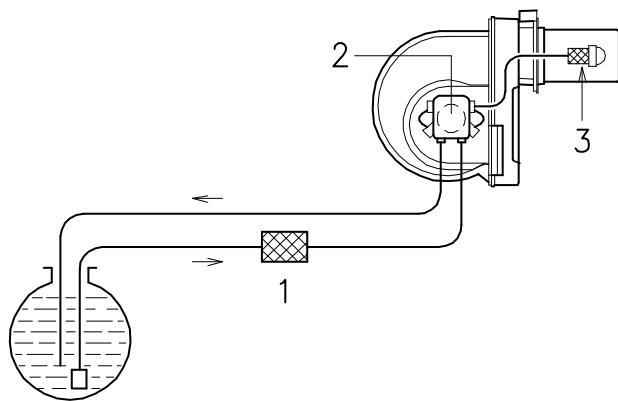


- * ○ Apagado ● Amarelo □ Verde ▲ Vermelho
Para ulteriores informações ver pág. 13.

(A)

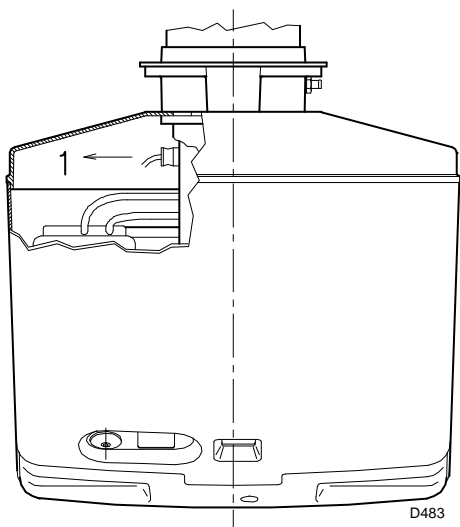


(B)



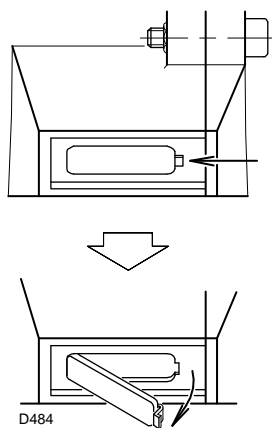
(A)

D482



(B)

D483



(C)

D484

CONTROLO FINAL

- **Obscurecer a fotorresistência e fechar os termostatos:** o queimador deve arrancar e de seguida bloquear-se a cerca de 5 segundos aproximadamente da abertura da válvula de 1ª chama.
- **Iluminar a fotorresistência e fechar os termostatos:** o queimador deve arrancar e, ao fim de cerca de 10 segundos, bloquear-se.
- **Obscurecer a fotorresistência com o queimador a funcionar na 2ª chama sucedendo o seguinte em sequência:** apagar da chama em 1 segundo, ventilação durante 20 segundos, faísca durante cerca de 5 segundos e bloqueio do queimador.
- **Abrir o termostato TL e de seguida o TS, com o queimador em funcionamento:** o queimador deve parar.

MANUTENÇÃO

⚠ O queimador requer uma manutenção periódica, que deve ser realizada por pessoal habilitado e em conformidade com as leis e normas locais.

⚠ A manutenção periódica é essencial para o bom funcionamento do queimador; essa reduz os consumos inúteis de combustível e reduz as emissões de poluentes no ambiente.

⚠ Antes de realizar qualquer operação de limpeza ou controlo, remover a alimentação eléctrica do queimador, actuando sobre o interruptor geral da instalação.

Combustão

Efectuar a análise dos gases de combustão que saem da caldeira. As diferenças significativas em relação à última análise indicarão os pontos onde deverão centrar-se as operações de manutenção.

Bomba

A pressão de impulsão da bomba deve ser estável a 12 bar.

A depressão deve ser inferior a 0,45 bar.

O ruído da bomba não deve ser perceptível.

No caso de pressão instável ou se a bomba produz ruído, desligar o tubo flexível do filtro de linha e aspirar o combustível de um depósito colocado junto do queimador. Esta medida de precaução permite determinar se a causa da anomalia é do tubo de aspiração ou da bomba.

Se for da bomba, verificar se o seu filtro não está sujo. Com efeito, como o vacuómetro está instalado antes do filtro, não mostra o seu estado de sujidade.

Pelo contrário, se a causa da anomalia está no tubo de aspiração, verificar se o filtro de linha não está sujo ou se entra ar no tubo.

Filtros (A)

Verificar os cartuchos filtrantes:

- de linha 1) • da bomba 2) • da boquilha 3), limpá-los ou substituí-los.

Se no interior da bomba é verificada oxidação ou outras impurezas, aspirar do fundo do depósito com uma bomba independente, a água e os lodos que eventualmente ali se tenham depositado.

Ventilador

Verificar que não se tenha acumulado pó no interior do ventilador nem nas pás da turbina: reduz o caudal de ar, provocando uma combustão defeituosa.

Cabeçal de combustível

Verificar que todas as partes do cabeçal estão intactas, que não estão deformadas pelas altas temperaturas, que não têm sujidade proveniente do ambiente e que estão correctamente posicionadas.

Boquilhas

Não tentar limpar o orifício das boquilhas. Substituir as boquilhas cada 2 ou 3 anos, ou quando for necessário. Quando se substituem, deve ser feita uma análise de combustão.

Fotorresistência (B)

Limpar o pó depositado no vidro. Para retirar a fotorresistência 1), puxar para fora; está ligada somente a pressão.

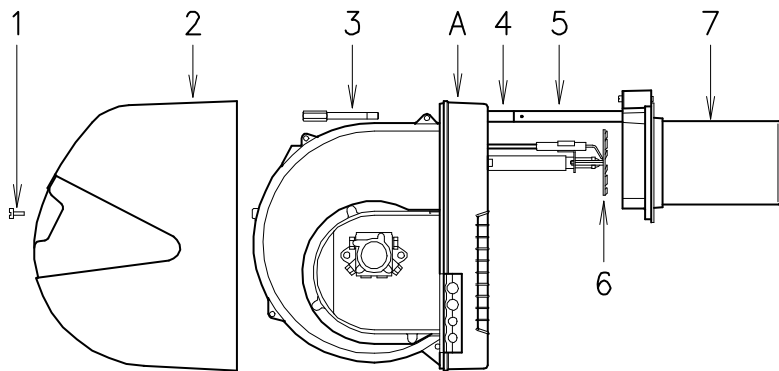
Visor chama (C) Limpar o vidro.

Tubos flexíveis

Verificar que estão em boas condições, que não tenham sido pisados ou deformados.

Depósito de combustível

Cada 5 anos, aproximadamente, aspirar a água do fundo do depósito com uma bomba independente.



(D)

D486

Caldeira

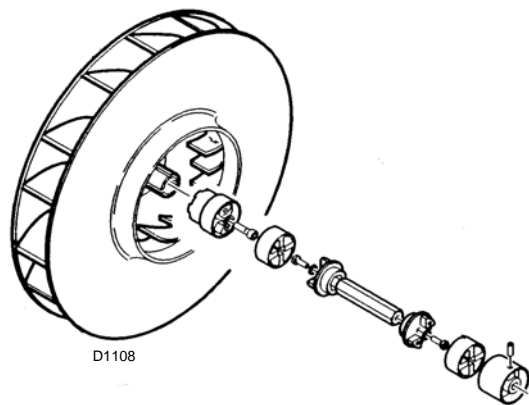
Limpar a caldeira de acordo com as instruções que a acompanham, com a finalidade de poder manter intactas as características de combustão originais, em especial a pressão na câmara de combustão e a temperatura dos fumos.

PARA ABRIR O QUEIMADOR (D)

- Interromper a corrente eléctrica
- Aliviar o parafuso 1) e retirar a envolvente 2)
- Desenroscar o parafuso 3)
- Montar os 2 prolongadores 4) que são fornecidos com as guias 5) (modelo com tubo de fogo 385 mm).
- Deslocar a parte A, mantendo-a ligeiramente levantada para não danificar o disco estabilizador 6) do tubo de fogo 7).

Eventual substituição da bomba e/ou juntas (E)

Executar a montagem respeitando as indicações da figura (E).



D1108

(E)

DIAGNÓSTICO PROGRAMA DE ARRANQUE

As indicações que aparecem durante o programa de arranque, estão explicadas na seguinte tabela:

TABELA CÓDIGO COR	
Sequências	Código cor
Pré-varrimento	● ○ ● ○ ● ○ ● ○ ●
Fase de ligação	● ○ ● ○ ● ○ ● ○ ●
Funcionamento com chama ok	□ □ □ □ □ □ □ □ □
Funcionamento com sinal de chama fraca	□ ○ □ ○ □ ○ □ ○ □
Alimentação eléctrica inferior a ~ 170V	● ▲ ● ▲ ● ▲ ● ▲ ●
Bloqueio	▲ ▲ ▲ ▲ ▲ ▲ ▲ ▲ ▲
Luz estranha	▲ □ ▲ □ ▲ □ ▲ □ ▲
Legenda:	○ Apagado ● Amarelo □ Verde ▲ Vermelho

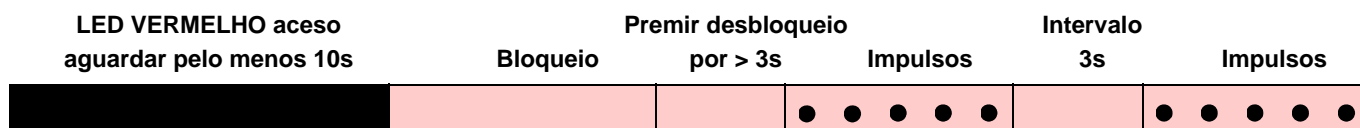
DESBLOQUEIO DO EQUIPAMENTO E UTILIZAÇÃO DO DIAGNÓSTICO

O equipamento fornecido de série possui uma sua função de diagnóstico, por meio da qual é possível localizar facilmente as eventuais causas de mau funcionamento (sinalização: **LED VERMELHO**).

Para utilizar tal função, é necessário aguardar pelo menos 10 segundos após a colocação da segurança (bloqueio) e, em seguida, pressionar o botão de desbloqueio.

O equipamento cria uma sequência de impulsos (à distância de 1 segundo) que se repete a intervalos constantes de 3 segundos.

Visualizado o número de sinais intermitentes e identificada a provável causa, é necessário reiniciar o sistema, mantendo o botão pressionado por um período de tempo compreendido entre 1 e 3 segundos.



A seguir, estão ilustrados os métodos possíveis para efectuar o desbloqueio do equipamento e para a utilização do diagnóstico.

DESBLOQUEIO DO EQUIPAMENTO

Para efectuar o desbloqueio do equipamento, agir como segue:

- Premir o botão por um período de tempo compreendido entre 1 e 3 segundos.
O queimador arranca após uma pausa de 2 segundos depois de se ter largado o botão.
No caso em que o queimador não arranque é necessário verificar o fechamento do termostato limite.

DIAGNÓSTICO VISUAL

Indica o tipo de defeito do queimador que determina o bloqueio do mesmo.

Para visualizar o diagnóstico, agir como segue:

- Com o led vermelho fixo (bloqueio do queimador), manter premido o botão por mais de 3 segundos.
O fim da operação será indicado pelo acender de um led amarelo intermitente.
Soltar o botão após o piscar do led. O número de sinais intermitentes evidencia a causa do mau funcionamento de acordo com a codificação indicada na tabela de pag. 14.

DIAGNÓSTICO SOFTWARE

Fornecer a análise da vida vida do queimador por meio da conexão óptica ao PC, indicado as relativas horas de funcionamento, número e tipos de bloqueios, número de série do equipamento etc...

Para visualizar o diagnóstico, agir como segue:

- Com o led vermelho fixo (bloqueio do queimador), manter premido o botão por mais de 3 segundos.
O fim da operação será indicado pelo acender de um led amarelo intermitente.
Soltar o botão por 1 segundo e em seguida, voltar a premi-lo por mais de 3 segundos até à visualização de um ulterior piscar amarelo.
Quando se solta o botão, o led vermelho irá piscar em modo intermitente com frequência elevada: só nessa altura será possível inserir a conexão óptica.

Uma vez executadas as operações, é necessário restabelecer o estado inicial do equipamento por meio do procedimento de desbloqueio acima descrito.

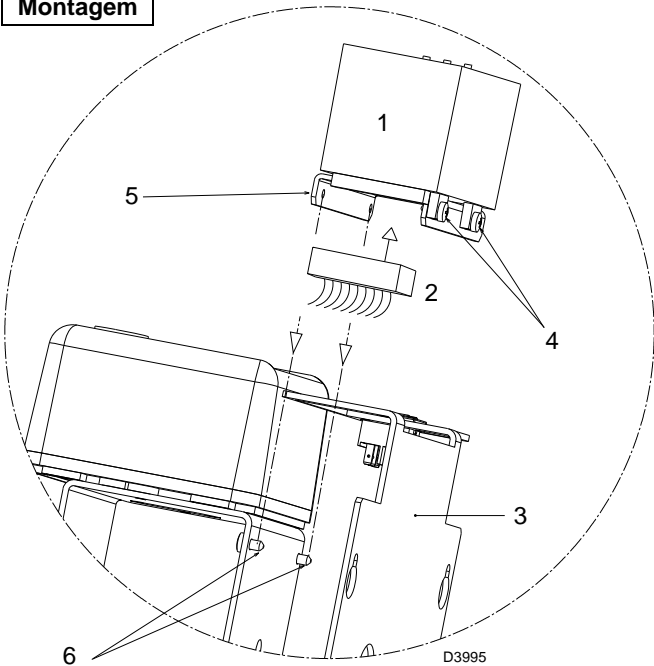
PRESSÃO NO BOTÃO	ESTADO DO EQUIPAMENTO
De 1 a 3 segundos	Desbloqueio do equipamento sem visualização do diagnóstico visual.
Mais de 3 segundos	Diagnóstico visual da condição de bloqueio: (piscar do led com intermitência de 1 segundo).
Mais de 3 segundos a partir da condição de diagnóstico visual	Diagnóstico software com auxílio de interface óptica e PC (possibilidade de visualização das horas de funcionamento, das anomalias, etc..)

A sequência dos impulsos emitidos pelo equipamento identifica os possíveis tipos de avaria que são ilustrados na tabela de pag. 14.

SINAL	ANOMALIA	CAUSA PROVÁVEL	SOLUÇÃO
Nenhum sinal intermitente	O queimador não arranca	1 - Falta corrente eléctrica 2 - O termostato de regulação máxima ou de segurança aberto 3 - Bloqueio da caixa de controlo 4 - Bomba bloqueada 5 - Ligações eléctricas incorrectas 6 - Caixa de controlo defeituosa 7 - Motor eléctrico defeituoso	Fechar interruptores - controlar fusíveis Regulá-lo ou substituí-lo Desbloqueá-la (passados 10 s do bloqueio) Substituí-la Comprová-lo Substituí-la Substituí-lo
2 sinais intermitentes ● ●	Superado o pré-varrimento e o tempo de segurança, o queimador bloqueia-se sem aparecer a chama	8 - Falta combustível na cisterna, ou há água no fundo 9 - Regulações incorrectas do cabeçal e do registo 10 - Electroválvulas gasóleo não abrem 11 - Boquilha da 1ª chama obturada, suja ou deformada 12 - Eléctrodos de acendimento mal regulados ou sujos 13 - Eléctrodo à massa por rotura do isolamento 14 - Cabo de alta tensão defeituoso 15 - Cabo de alta tensão deformado pela alta temperatura 16 - Transformador de acendimento defeituoso 17 - Ligação eléctrica das válvulas ou do transformador de acendimento incorrecta 18 - Caixa de controlo defeituosa 19 - Bomba não ferrada 20 - Junta motor-bombo rota 21 - Aspiração bomba ligada ao tubo de retorno 22 - Válvulas a montante da bomba fechadas 23 - Filtros sujos (de linha – na bomba – na boquilha) 24 - Fotorresistência ou caixa de controlo defeituosa 25 - Fotorresistência suja 26 - 1ª chama do hidráulico defeituosa 27 - Bloqueio do motor 28 - Interruptor do comando do motor defeituoso 29 - Corrente eléctrica a duas fases Actua o relé térmico 30 - Motor roda em sentido contrário	Abastecer ou aspirar a água Regulá-los, ver pág. 6 e 9 Verificar as ligações; substituir a bobine (1ª chama ou segurança) Substituí-la Regulá-los ou limpá-los Substituí-lo Substituí-lo Substituí-lo e protegê-lo Substituí-lo Refazer as ligações Substituí-la Ferrá-la e ver "ferragem da bomba" Substituí-la Corrigir a ligação Abri-las Limpá-las Substituir fotorresistências ou caixa de controlo Limpá-la Substituir hidráulico Desbloquear o relé térmico Substituí-lo Desbloquear o relé térmico quando volte à terceira fase Mudar a ligação eléctrica do motor
4 sinais intermitentes ● ● ● ●	O queimador arranca e depois bloqueia-se	31 - Fotorresistência em curto-circuito 32 - Luz estranha ou simulação de chama	Substituir a fotorresistência Eliminar a luz ou substituir a caixa de controlo
7 sinais intermitentes ● ● ● ● ● ● ●	A chama apaga-se	33 - Cabeçal mal regulado 34 - Eléctrodos de acendimento mal regulados ou sujos 35 - Registo ventilador mal regulado, demasiado ar 36 - 1ª boquilha demasiado grande (pulsações) 37 - 1ª boquilha demasiado pequena (pulsações) 38 - 1ª boquilha suja ou deformada 39 - Pressão da bomba incorrecta 40 - Boquilha 1ª chama inadequada ao queimador ou caldeira 41 - Boquilha 1ª chama defeituosa	Regulá-lo, ver pág. 6, fig. (F) Regulá-los, ver pág. Fig. (B) ou limpá-los Regulá-lo Reduzir o caudal da 1ª boquilha Aumentar o caudal da 1ª boquilha Substituí-la Regulá-la: entre 10 e 14 bar Ver Tab. boquilhas p.5; reduzir boq. 1ª chama Substituí-la
	O queimador não passa à 2ª chama	42 - Termostato TR não fecha 43 - Caixa de controlo defeituosa 44 - Bobine da electroválvula de 2ª chama defeituosa 45 - Pistão bloqueado no grupo das válvulas	Regulá-lo ou substituí-lo Substituí-la Substituí-la Substituir o grupo
	O combustível passa à 2ª chama e o ar fica na 1ª chama.	46 - Pressão da bomba é baixa 47 - 2ª chama do hidráulico defeituosa	Aumentá-la Substituir hidráulico
	O queimador pára ao passar da 1ª à 2ª chama e da 2ª à 1ª. O queimador repete o ciclo de arranque.	48 - Boquilha suja 49 - Fotorresistência suja 50 - Demasiado ar	Substituí-la Limpá-la Reduzi-lo
	Alimentação irregular de combustível	51 - Entender se a causa é a bomba ou o sistema de alimentação	Alimentar o queimador com um reservatório colocado perto do mesmo
	Bomba com interior enferrujado	52 - Água na cisterna	Aspirá-la do fundo da cisterna com uma bomba
	Bomba ruidosa, pressão botão	53 - Entrada de ar na tubagem de aspiração - Depressão demasiado elevada (superior a 35 cm Hg): 54 - Desnível queimador-cisterna demasiado elevado 55 - Diâmetro das tubagens demasiado pequeno 56 - Filtros em aspiração sujos 57 - Válvulas em aspiração fechadas 58 - Solidificação parafina devido à baixa temperatura	Bloquear os conectores Alimentar o queimador com circuito em anel Aumentá-lo Limpá-los Abri-las Pôr aditivo no gasóleo
	Bomba que não ferra após uma pausa prolongada	59 - Tubo de retorno não mergulhado no combustível 60 - Entrada de ar na tubagem de aspiração	Colocá-lo à mesma altura do tubo de aspiração Apertar os conectores
	Bomba com perda de gasóleo	61 - Perda do órgão de isolamento	Substituir a bomba
	Chama com fumo - Bacharach escuro - Bacharach amarelo	62 - Pouco ar 63 - Boquilha suja ou desgastada 64 - Filtro da boquilha suja 65 - Pressão incorrecta da bomba 66 - Hélice de estabilidade da chama suja, desapertada ou deformada 67 - Aberturas ventilação sala caldeiras insuficiente 68 - Demasiado ar	Regular ao cabeçal e o registo do ventilador, ver pág.6 e 9. Substituí-la Limpá-lo ou substituí-lo Regulá-la: entre 10 e 14 bar Limpá-la, apertá-la ou substituí-la Aumentá-las Regular o cabeçal e registo do ventilador, ver pág.6 e 9.
	Cabeçal de combustão sujo	69 - Boquilha ou filtro da boquilha suja 70 - Ângulo ou caudal da boquilha não apropriados 71 - Boquilha desapertada 72 - Impurezas do ambiente na hélice de estabilidade 73 - Regulação do cabeçal errada ou pouco ar 74 - Comprimento do bocal não apropriado para a caldeira	Substituí-la Ver boquilhas aconselhadas pág. 5 Apertá-lo Limpar Regulá-la, ver pág. 9 abrir o registo Consultar o construtor da caldeira
10 sinais intermitentes ● ● ● ● ● ● ● ● ● ●	O queimador bloqueia-se	75 - Erro de ligação ou avaria interna 76 - Presença de distúrbios electromagnéticos	Utilizar o kit protecção contra as rádio-interferências

STATUS (por encomenda)

Montagem



- 1 Status
- 2 Conector
- 3 Suporte do queimador
- 4 Parafusos de fixação
- 5 Suporte
- 6 Parafusos de fixação

STATUS

Accessório disponível por encomenda. ver página 16.

MONTAGEM

Os queimadores já estão preparados para receber o Status. Para a montagem agir como segue:

- Ligar o Status 1) por meio do conector 2) presente no suporte 3).
- Fixar o suporte 5) ao Status mediante os parafusos 4) fornecidos junto ao kit.
- Fixar o grupo à consola 3) mediante os parafusos 6).

STATUS desempenha três funções:

1 - INDICA NO VISOR V AS HORAS DE FUNCIONAMENTO E O NÚMERO DE ACENDIMENTOS DO QUEIMADOR

Total de horas de funcionamento

Carregar no botão "h1".

Horas de funcionamento na 2ª chama

Carregar no botão "h2".

Horas de funcionamento na 1ª chama (calculadas)

Total de horas - horas em 2ª chama.

Número de acendimentos

Carregar no botão "count".

Pôr horas de funcionamento e nº de acendimentos a zero

Premir os 3 botões "reset" (rearme) ao mesmo tempo.

Memória permanente

As horas de funcionamento e o nº de acendimentos permanecem em memória inclusive se for interrompida a corrente eléctrica.

2 - INDICA OS TEMPOS RELATIVOS À FASE DE ARRANQUE

Os LEDs acendem-se com a seguinte sequência; ver Fig. A:

COM O TERMOSTATO TR FECHADO:

- 1 - Queimador apagado, termostato TL aberto
- 2 - Fecho do termostato TL
- 3 - Arranque do motor:
inicia a contagem em segundos no display V
- 4 - Activação da válvula 1ª chama
- 5 - Activação da válvula 2ª chama
termina a contagem em segundos no display V
- 6 - Ao fim de 10 segundos da etapa 5, aparece no display o código I I I I : isto indica que a fase de arranque terminou.

COM O TERMOSTATO TR ABERTO:

- 1 - Queimador apagado, termostato TL aberto
- 2 - Fecho do termostato TL
- 3 - Arranque do motor:
inicia a contagem em segundos no display V
- 4 - Activação da válvula 1ª chama
- 7 - Ao fim de 30 segundos da etapa 4:
termina a contagem em segundos no display V
- 8 - Ao fim de 10 segundos da etapa 7, aparece no display o código I I I I : isto indica que a fase de arranque terminou.

Os tempos em segundos que aparecem no display V indicam a sucessão das diferentes fases de arranque que são descritas na pág. 10.

3 - EM CASO DE AVARIA DO QUEIMADOR, INDICA O MOMENTO EXACTO EM QUE OCORREU A ANOMALIA

Existem 3 combinações possíveis de LEDs acesos; ver Fig. (B).

Sobre as causas da avaria, ver os números que há entre parênteses e a pág. 14, para o seu significado.

- 1 (9 ÷ 10)
- 2 (11 ÷ 29)
- 3 (32)

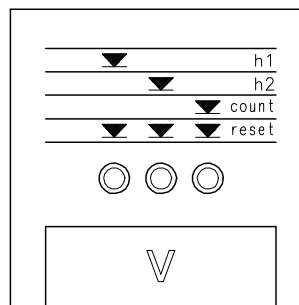
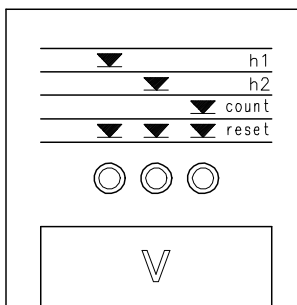
Significado dos símbolos:

- POWER = Presença de tensão
- (M) = Bloqueio motor ventilador (vermelho)
- (flame) = Bloqueio queimador (vermelho)
- (flame) = Funcionamento 2ª chama
- (flame) = Funcionamento 1ª chama
- (power) = Carga alcançada (Stand-by), led: aceso

D478

A

B



	POWER	(M)	(flame)	(flame)	(power)	
1	●					0
2	●					0
3	●					S 1-2....
4	●				●S....
5	●			●	●S
6	●			●	●	I I I I
7	●			●	●S
8	●			●	●	I I I I

	POWER	(M)	(flame)	(flame)	(power)	
1	●					S
2	●			☀		S
3	●	●		☀		S

☀ = LED intermitente

○ = LED aceso

S = Tempo em segundos

I I I I = Fase de arranque terminada

(A)

ACESSÓRIOS (por encomenda):

- **STATUS** (ver página 15): código **3010322**

- **KIT PROTECÇÃO CONTRA AS RÁDIO-INTERFERÊNCIAS**

No caso de instalação do queimador em ambientes especiais sujeitos a rádio-interferências (emissão de sinais superiores a 10 V/m) devido a presença de INVERTER ou em aplicações onde os comprimentos das conexões do termóstato superem os 20 metros, está disponível um kit de protecção como interface entre a aparelhagem e o queimador.

QUEIMADOR	RL 64 MZ
Código	3010386

- **ELIMINADOR DE GÁS**

É possível que no gasóleo aspirado pela bomba haja ar proveniente do gasóleo submetido a depressão ou de qualquer isolamento não perfeitamente estanque.

Nos sistemas bitubo, o ar volta para a cisterna pelo tubo de retorno; nos sistemas monotubo, pelo contrario, o ar fica em circulação, provocando variações de pressão na bomba e mau funcionamento do queimador.

Para resolver este problema, recomendamos, para os sistema monotubo, de instalar um eliminador de gás perto do queimador.

Este, pode ser fornecido em duas versões:

COD. **3010054** sem filtro

COD. **3010055** com filtro

Características do eliminador de gás

- Caudal queimador : 80 kg/h max
- Pressão gasóleo : 0,7 bar max
- Temperatura ambiente : 40 °C max
- Temperatura gasóleo : 40 °C max
- Conectores de conexão : 1/4 polegar

- **KIT CONTACTOS LIMPOS: código 3010419**

Ligações eléctricas

NOTA



As ligações eléctricas devem ser executadas conforme as normas em vigor do país de destino e por pessoal qualificado.

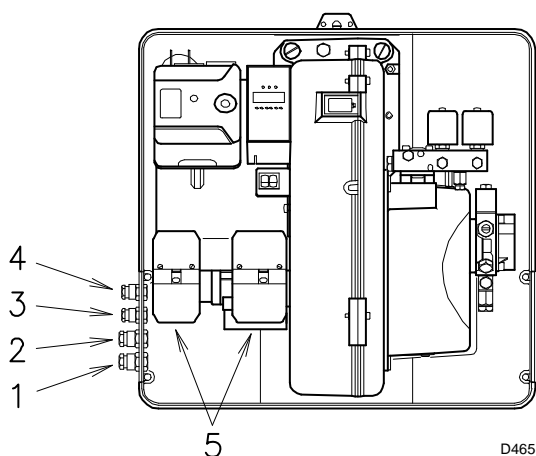
Riello S.p.A. declina toda responsabilidade de modificações ou conexões diferentes daquelas representadas nestes esquemas.

Usar cabos flexíveis conforme a norma EN 60 335-1:

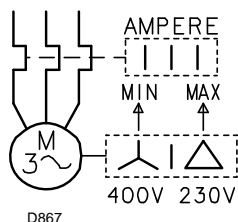
Todos os cabos a ligar ao queimador devem ser feitos passar pelos passacabos.

Os passacabos podem ser utilizados de várias formas; como exemplo, indicamos a seguinte forma:

- 1-Pg 11 alimentação trifásica
- 2-Pg 11 alimentação monofásica
- 3-Pg 9 termostato TL
- 4-Pg 9 termostato TR



D465



D867

CALIBRAGEM RELÉ TÉRMICO (RS 44/M MS TRIFÁSICO)

Serve para evitar que o motor se queime por um forte aumento do consumo devido à ausência de uma fase.

- Se o motor é alimentado em estrela, **400 V**, o cursor deve situar-se em "MIN".
- Se é alimentado a triângulo, **230 V**, o cursor deve situar-se em "MÁX".

Se a escala do relé térmico não compreende o consumo nominal do motor a 400 V, a protecção está igualmente assegurada.

NOTE

- Os queimadores saem de fábrica preparados para uma corrente eléctrica a **400 V**. Se a corrente for a **230 V**, mudar a ligação do motor (de estrela a triângulo) e a regulação do relé térmico.
- Os queimadores foram homologados para funcionar de modo intermitente. Isto significa que devem parar "por Norma" pelo menos uma vez cada 24 horas para permitir que a caixa de controlo faça uma verificação da eficácia ao arranque. Normalmente, a paragem do queimador está assegurada pelo termostato da caldeira. Se assim não for, deverá colocar em série com o interruptor IN, um interruptor horário que pare o queimador pelo menos uma vez cada 24 horas.
- O queimador sai de fábrica preparado para funcionar a duas chamas e deve, portanto, ligar-se o termostato TR que comanda a electroválvula V2 do gasóleo. Caso contrário, se deseja que funcione a uma chama, substituir o termostato TR por uma ponte entre os bornes T6 e T8 da ficha X4.



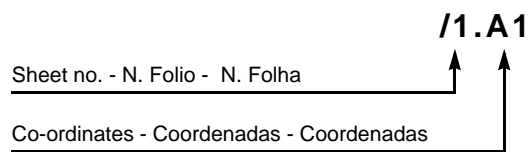
ATENÇÃO:

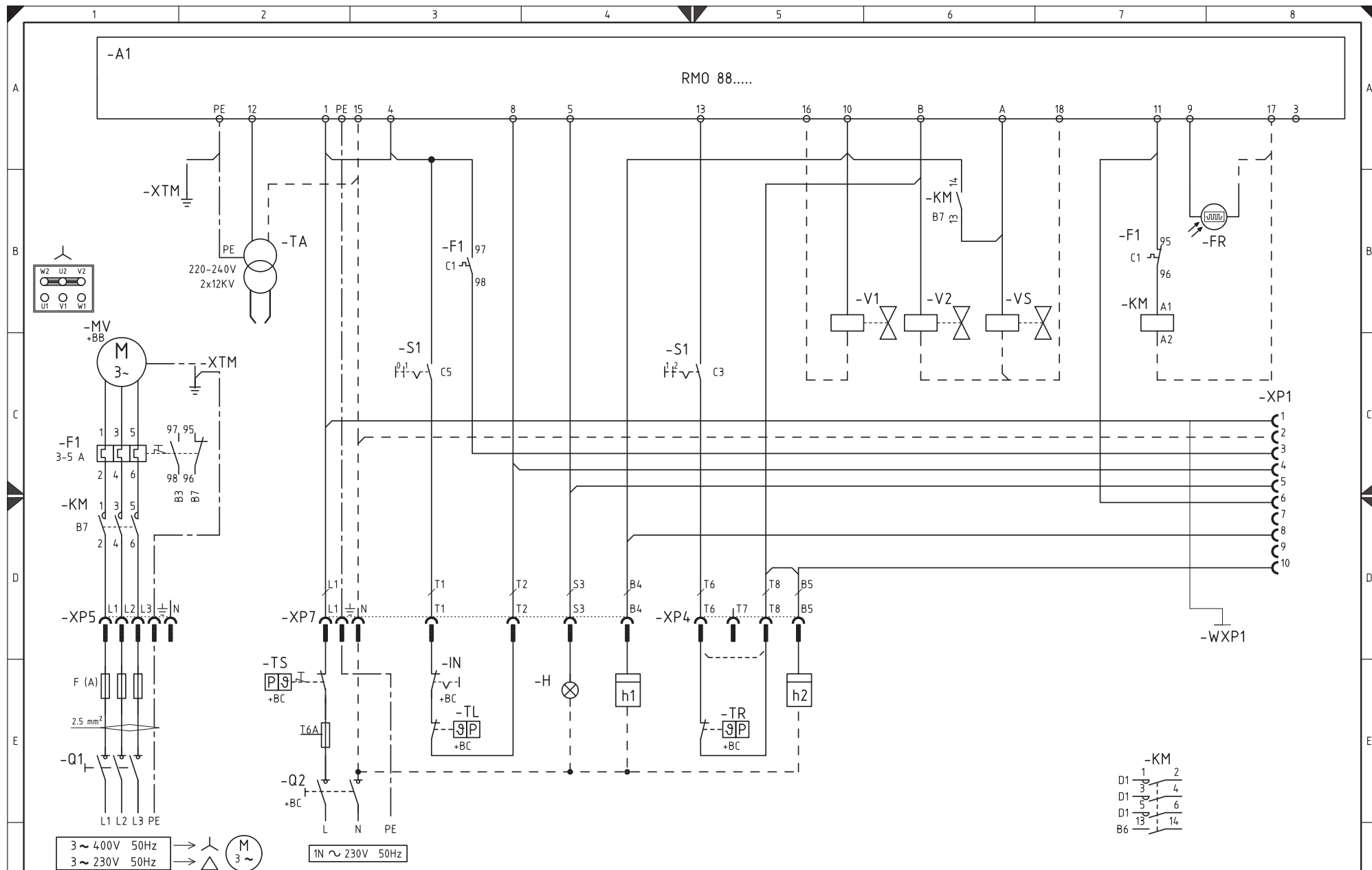
- Não inverter o neutro com a fase na linha de alimentação eléctrica. A eventual inversão poderia determinar uma paragem em bloqueio por falta de acendimento.
- Substituir os componentes unicamente com peças sobresselentes originais.

Electrical panel layout - Esquema cuadro eléctrico
Esquema quadro eléctrico

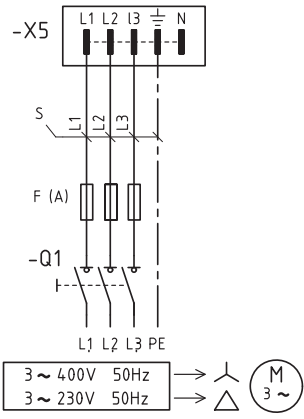
1	INDEX - ÍNDICE - ÍNDICE
2	Indication of references - Indicación referencias Indicação das referências
3	Functional layout - Esquema funcional Esquema funcional
4	Electrical wiring is the responsibility of the installation engineer - Conexiones eléctricas a cargo del instalador - Ligações eléctricas pelo instalador

2 **Indication of references - Indicación referencias - Indicação das referências**



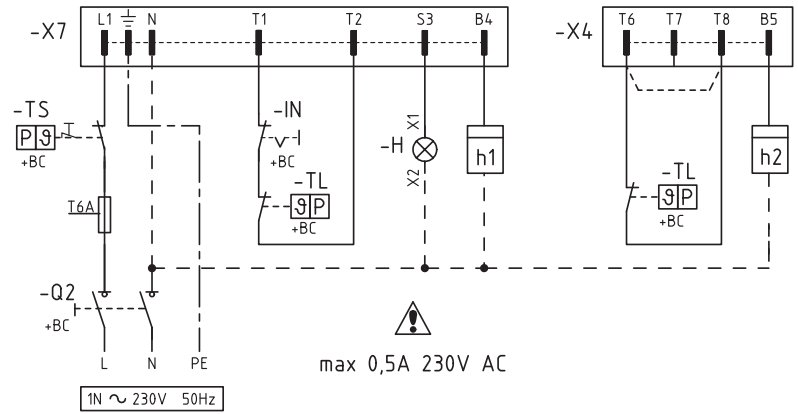


BU = BLU / BLUE / BLEU / BLAU	YE = GIALLO / YELLOW / JAUNE / GELB	WH = BIANCO / WHITE / BLANC / WEISS	GY = GRIGIO / GREY / GRIS / GRAU	TO = TURCHESE / TURQUOISE / TURQUOISE / TURKISBLAU
BK = NERO / BLACK / NOIR / SCHWARZ	GN = VERDE / GREEN / VERT / GRÜN	OG = ARANCIO / ORANGE / ORANGE / ORANGE	PK = ROSA / PINK / ROSE / ROSA	SR = ARGENTO / SILVER / ARGENT / SILBER
BN = MARRONE / BROWN / MARRON / BRAUN	RD = ROSSO / RED / ROUGE / ROT	VT = VIOLETTO / VIOLET / VIOLET / VIOLETT	GD = ORO / GOLD / OR / GOLD	GYE = GIALLO/VERDE / YELLOW/GREEN / JAUNE/VERT / GELB/GRÜN

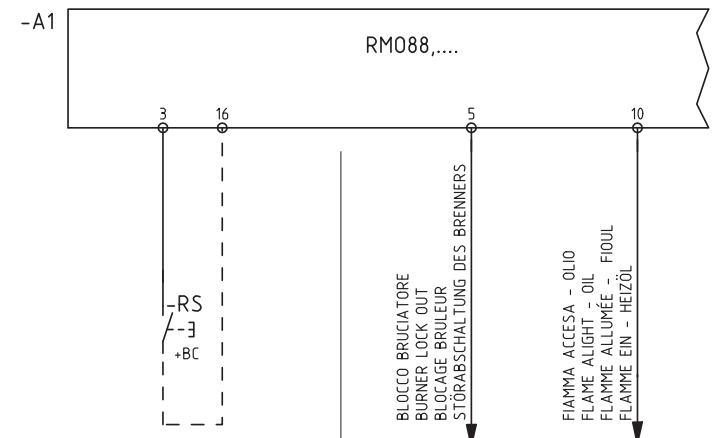


RL 64			RL 64		
OZB-4			OZB-4		
3 ~ 230 V 50 Hz			3 ~ 400 V 50 Hz		
F (A)	gG	12 A	F (A)	gG	8 A
FUSE	aM	6 A	FUSE	aM	4 A
S CABLE	2,5 mm ² (min)		S CABLE	2,5 mm ² (min)	
FAN MOTOR AND THERMAL RELAY			FAN MOTOR AND THERMAL RELAY		
DIRECT START			DIRECT START		
1,1 kW			1,1 kW		
SET TO			SET TO		
4,3 A			3 A		

⚠ NEL CASO DI INTERRUPTORE MAGNETOTERMICO SCEGLIERE IL TIPO C
 EN CAS D' INTERRUPTEUR MAGNÉOTHERMIQUE CHOISIR LE TYPE C
 WITH A MAGNETO-THERMAL SWITCH CHOOSE TYPE C
 IM FALLE EINES MAGNETOTHERMISCHEN SCHALTERS TYP C WÄHLEN



KITS

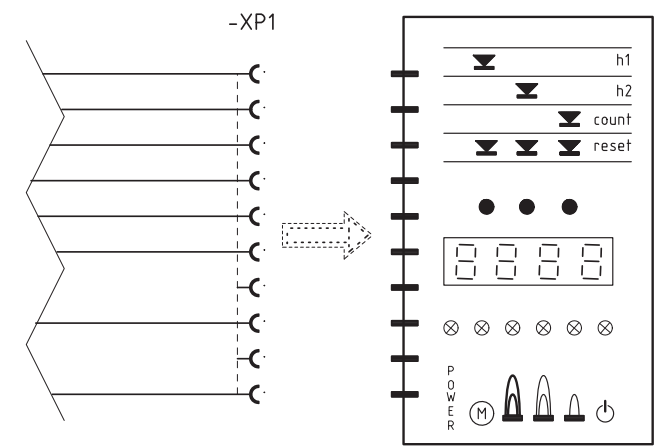


⚠ PULSANTE DI SBLOCCO A DISTANZA
 REMOTE RESET BUTTON
 BOUTON DE DEBLOCAGE A DISTANCE
 FERNSTORUNGSTASTE

⚠ USCITA PER KIT RELE' CONTATTI PULITI
 OUTPUT FOR VOLTAGE FREE CONTACTS KIT
 SORTIE POUR KIT RELAIS CONTACTS PROPRES
 AUSGANG FÜR REINKONTAKTE-KIT

⚠ max 10A AC1 230V AC
 max 2A AC15 230V AC

STATUS



BU = BLU / BLUE / BLEU / BLAU	YE = GIALLO / YELLOW / JAUNE / GELB	WH = BIANCO / WHITE / BLANC / WEISS	GY= GRIGIO / GREY / GRIS / GRAU	TQ= TURCHESE / TURQUOISE / TURQUOISE / TURKISBLAU
BK = NERO / BLACK / NOIR / SCHWARZ	GN = VERDE / GREEN / VERT / GRÜN	OG= ARANCIO / ORANGE / ORANGE / ORANGE	PK= ROSA / PINK / ROSE / ROSA	SR= ARGENTO / SILVER / ARGENT / SILBER
BN = MARRONE / BROWN / MARRON / BRAUN	RD = ROSSO / RED / ROUGE / ROT	VT= VIOLETTA / VIOLET / VIOLET / VIOLETT	GD= ORO / GOLD / OR / GOLD	GNYE= GIALLO/VERDE / YELLOW/GREEN / JAUNE/VERT / GELB/GRÜN

KEY TO ELECTRICAL LAYOUT

- A** - Electrical control box
- F1** - Fan motor thermal relay
- FR** - Photocell
- H** - Remote lockout signalling
- h1** - 1st stage hourcounter
- h2** - 2nd stage hourcounter
- IN** - Manual burner stop switch
- KM** - Motor contact maker
- MV** - Fan motor
- Q1** - Three phase knife switch
- Q2** - Single phase knife switch
- RS** - Remote reset button
- S1** - Unlit / automatic / manual selector switch
- TA** - Ignition transformer
- TB** - Burner ground (earth) connection
- TL** - Limit control device system:
This shuts down the burner when the boiler temperature or pressure exceeds the setpoint value.
- TR** - High-low mode control device system:
This controls operating stages 1 and 2 and is necessary only for two-stage operation.
- TS** - Safety control device system:
this operates when TL is faulty.
- V1** - 1st stage solenoid valve
- V2** - 2nd stage solenoid valve
- VS** - Safety solenoid valve
- X4** - 4 pole plug
- X5** - 5 pole plug
- X7** - 7 pole plug
- XP1** - Connector for STATUS
- XP4** - 4 pole socket
- XP5** - 5 pole socket
- XP7** - 7 pole socket
- XPM** - Shelf earth

LEYENDA ESQUEMAS ELÉCTRICOS

- A** - Caixa de controlo eléctrica
- F1** - Relé térmico motor ventilador
- FR** - Fotorresistencia
- H** - Sinalização de bloqueio remoto
- h1** - Cuentahoras de 1º llama
- h2** - Cuentahoras de 2º llama
- IN** - Interruptor paro manual quemador
- KM** - Contactor motor
- MV** - Motor ventilador
- Q1** - Interruptor seccionador trifásico
- Q2** - Interruptor seccionador monofásico
- RS** - Botão de desbloqueio quemador a distância
- S1** - Selector desligado / automático / manual
- TA** - Transformador de encendido
- TB** - Conexión a tierra quemador
- TL** - Termostato de regulación máxima:
provoca el paro del quemador cuando la temperatura en caldera supera el valor preestablecido.
- TR** - Termostato de regulación:
manda la 1ª y 2ª llama de funcionamiento. Sólo es necesario en el funcionamiento a dos llamas.
- TS** - Termostato de seguridad:
actúa en caso de avería TL.
- V1** - Electroválvula 1ª llama
- V2** - Electroválvula 2ª llama
- VS** - Electroválvula de seguridad
- X4** - Conector macho de 4 contactos
- X5** - Conector macho de 5 contactos
- X7** - Conector macho de 7 contactos
- XP1** - Conector para STATUS
- XP4** - Conector hembra de 4 contactos
- XP5** - Conector hembra de 5 contactos
- XP7** - Conector hembra de 7 contactos
- XPM** - Terra consola

LEGENDA ESQUEMAS ELÉCTRICOS

- A** - Caja de control eléctrica
- F1** - Relé térmico motor ventilador
- FR** - Fotorresistência
- H** - Señalización de bloqueo a distancia
- h1** - Contador de horas na 1a chama
- h2** - Contador de horas na 2a chama
- IN** - Interruptor de paragem manual quemador
- KM** - Contador motor
- MV** - Motor ventilador
- Q1** - Interruptor seccionador trifásico
- Q2** - Interruptor seccionador monofásico
- RS** - Botón de desbloqueo quemador a distancia
- S1** - Selector apagado / automático / manual
- TA** - Transformador de acendimento
- TB** - Ligaçãõ terra do quemador
- TL** - Termostato de regulação máxima:
provoca a paragem do quemador quando a temperatura na caldeira ultrapassa o valor preestabelecido.
- TR** - Termostato de regulação:
comanda a 1ª e a 2ª chama de funcionamento. Só é necessário para funcionamento a duas chamas.
- TS** - Termostato de segurança:
actua em caso de avaria do termostato TL.
- V1** - Electroválvula 1ª chama
- V2** - Electroválvula 2ª chama
- VS** - Electroválvula de segurança
- X4** - Ficha de 4 pólos
- X5** - Ficha de 5 pólos
- X7** - Ficha de 7 pólos
- XP1** - Conector para STATUS
- XP4** - Tomada de 4 pólos
- XP5** - Tomada de 5 pólos
- XP7** - Tomada de 7 pólos
- XPM** - Tierra ménsula

RIELLO

RIELLO S.p.A.
I-37045 Legnago (VR)
Tel.: +39.0442.630111
[http:// www.riello.it](http://www.riello.it)
[http:// www.rielloburners.com](http://www.rielloburners.com)