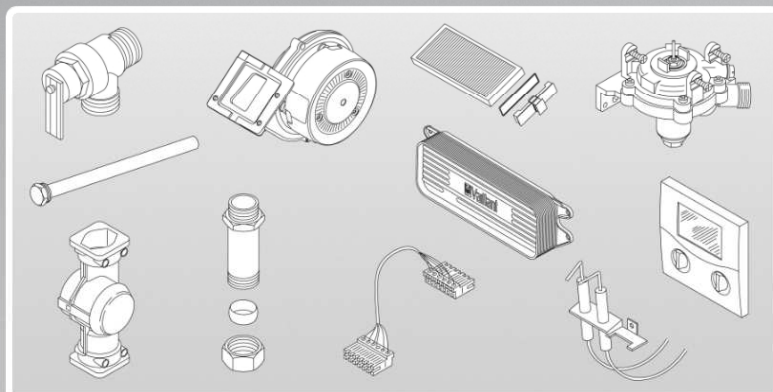


Wall-hung boilers



ecoTEC plus 612, 615, 618, 624, 630, 637

VU 126/5-5
VU 156/5-5
VU 186/5-5
VU 246/5-5
VU 306/5-5
VU 376/5-5

VU 126/5-5 R1, VU 126/5-5 R2
VU 156/5-5 R1, VU 156/5-5 R2
VU 186/5-5 R1, VU 186/5-5 R2
VU 246/5-5 R1, VU 246/5-5 R2
VU 306/5-5 R1, VU 306/5-5 R2
VU 376/5-5 R1, VU 376/5-5 R2

0020149389_02 GB 01/2013

Content

General view of sheet	VU 126/5-5, VU 156/5-5, VU 186/5-5, VU 246/5-5, VU 306/5-5, VU 376/5-5	Page 3
04 Burner		Page 4
05 Gas section		Page 6
07 Casing parts		Page 8
08a Hydraulic parts (Hydroblock)		Page 10
08b Hydraulic parts		Page 12
08c Connection parts (acc.)		Page 14
12 Control box		Page 16
General view of sheet	VU 126/5-5 R1,R2, VU 156/5-5 R1,R2, VU 186/5-5 R1,R2, VU 246/5-5 R1,R2, VU 306/5-5 R1, R2, VU 376/5-5 R1,R2	Page 19
04 Burner		Page 20
05 Gas section		Page 24
07 Casing parts		Page 28
08a Hydraulic parts (Hydroblock)		Page 30
08b Hydraulic parts		Page 34
08c Connection parts (acc.)		Page 36
12 Control box		Page 38
Notes		Page 40

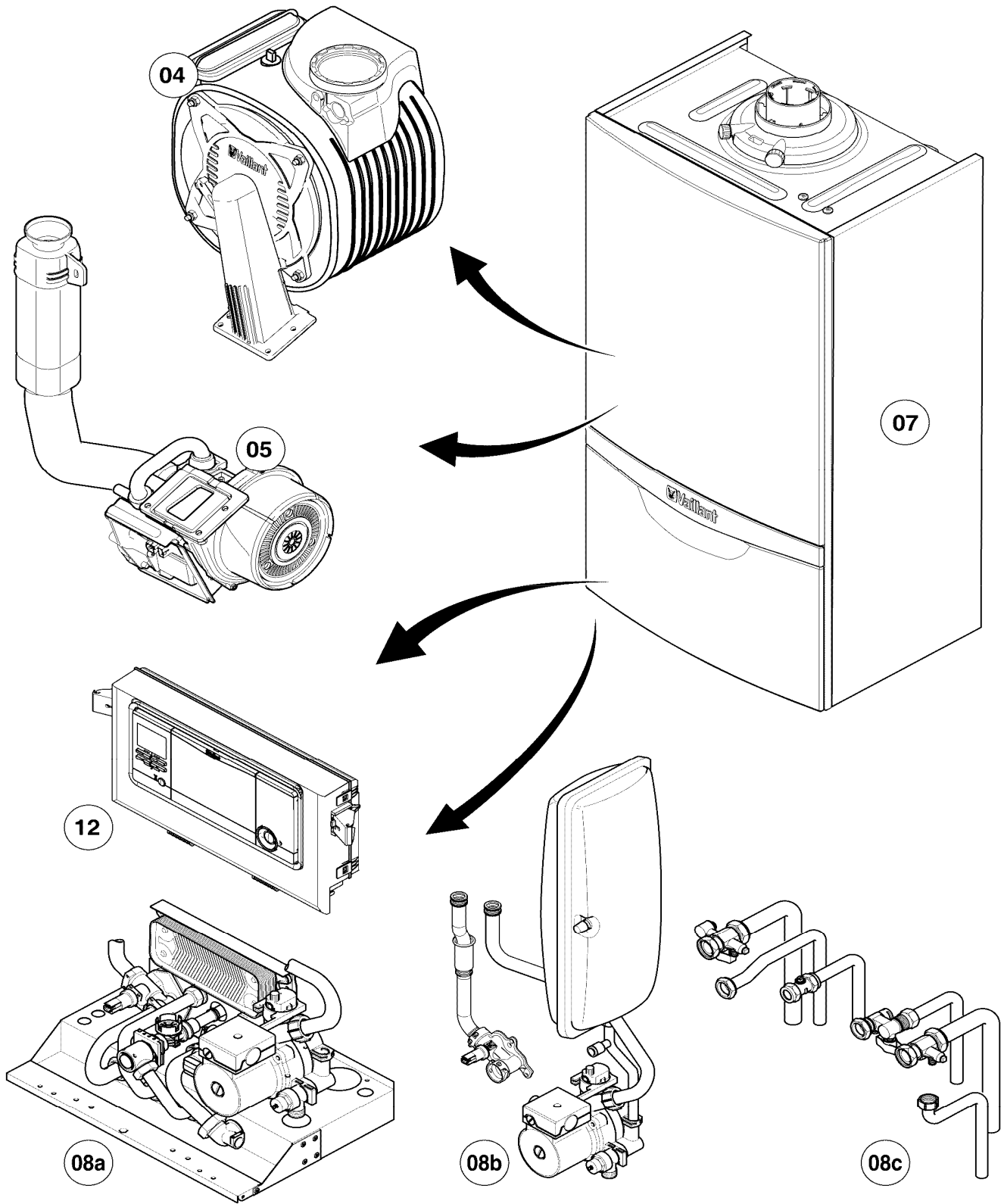
In order to maintain the safe and efficient operation of this appliance, only genuine Vaillant spare parts must be used.

Subject to alteration !

Attention: Please take the gross price from the valid price list !

General view of sheet

VU 126/5-5, VU 156/5-5, VU 186/5-5, VU 246/5-5, VU 306/5-5, VU 376/5-5
ecoTEC plus 612, 615, 618, 624, 630, 637

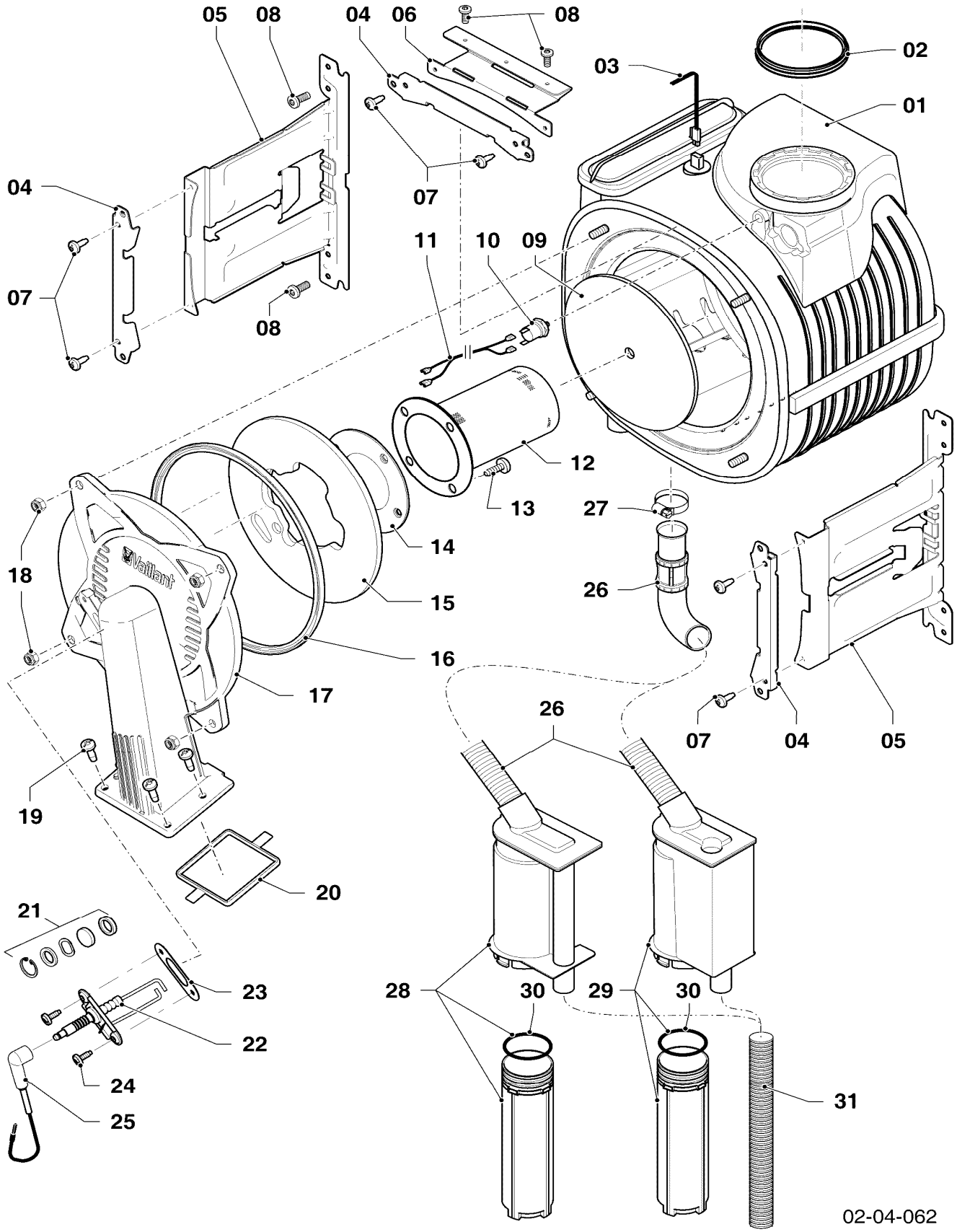


02-00-111

Subject to alteration !
Attention: Please take the gross price from the valid price list !

04 Burner

VU 126/5-5, VU 156/5-5, VU 186/5-5, VU 246/5-5, VU 306/5-5, VU 376/5-5
ecoTEC plus 612, 615, 618, 624, 630, 637



02-04-062

04 Burner

VU 126/5-5, VU 156/5-5, VU 186/5-5, VU 246/5-5, VU 306/5-5, VU 376/5-5
ecoTEC plus 612, 615, 618, 624, 630, 637

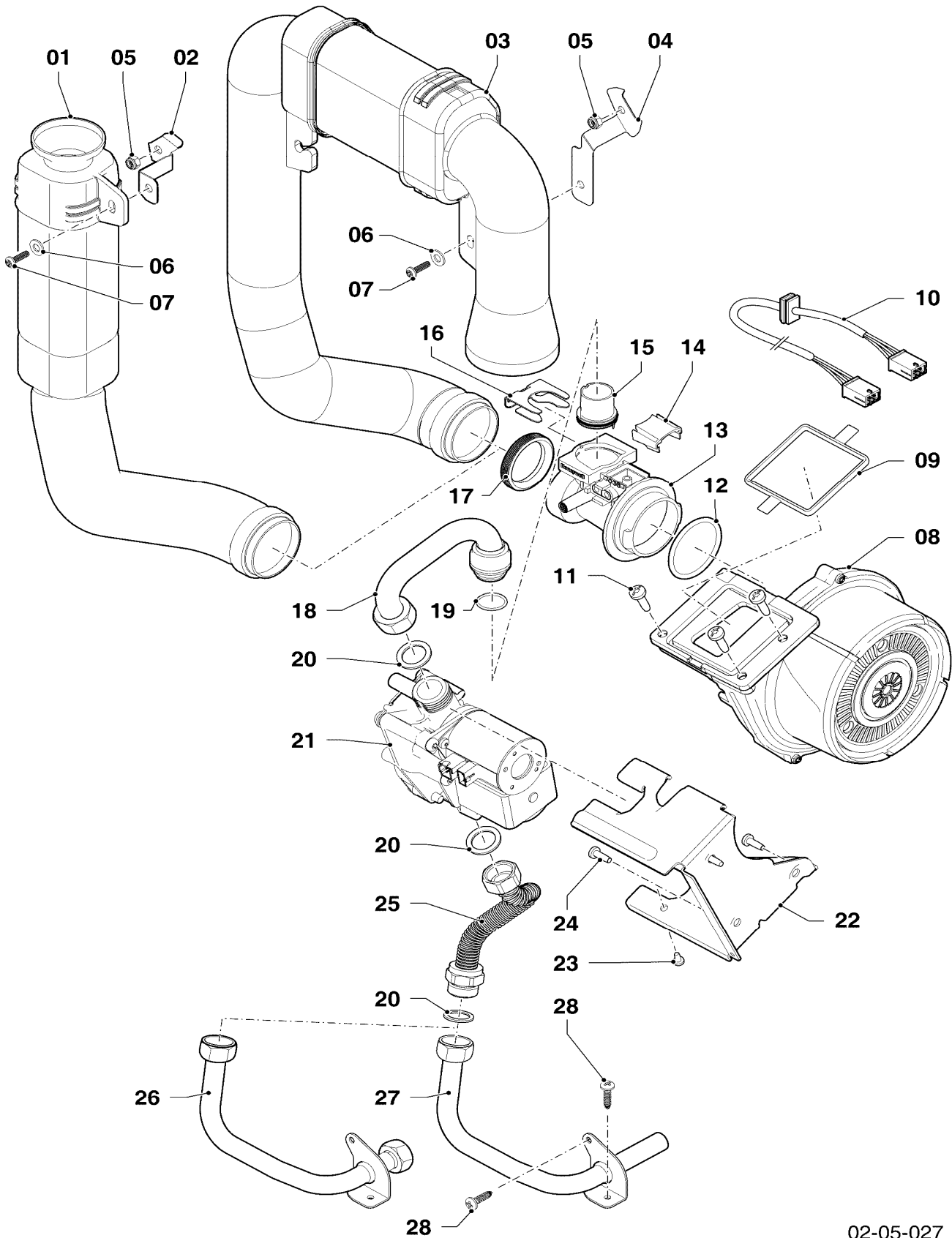
Pos.	Art.-No	Part	Type, note
		0204062	
01	0020135129	Heat exchanger	VU 126/5-5 (plus 612), with parts 03,16,18,27
01	0020135129	Heat exchanger	VU 156/5-5 (plus 615), with parts 03,16,18,27
01	0020135129	Heat exchanger	VU 186/5-5 (plus 618), with parts 03,16,18,27
01	0020135131	Heat exchanger	VU 246/5-5 (plus 624), with parts 03,16,18,27
01	0020135133	Heat exchanger	VU 306/5-5 (plus 630), with parts 03,16,18,27
01	0020135134	Heat exchanger	VU 376/5-5 (plus 637), with parts 03,16,18,27
02	981233	Lip seal EPDM (DN 60)	
03	0020135107	Cable	VU 126/5-5 (plus 612)
03	0020135107	Cable	VU 156/5-5 (plus 615)
03	0020135107	Cable	VU 186/5-5 (plus 618)
03	0020135108	Cable	VU 246/5-5 (plus 624)
03	0020135109	Cable	VU 306/5-5 (plus 630)
03	0020135110	Cable	VU 376/5-5 (plus 637)
04	0020135117	Clip support PHE	with part 07
05	0020135112	Support PHE	VU 126/5-5 (plus 612), with parts 07,08
05	0020135112	Support PHE	VU 156/5-5 (plus 615), with parts 07,08
05	0020135112	Support PHE	VU 186/5-5 (plus 618), with parts 07,08
05	0020135113	Support PHE	VU 246/5-5 (plus 624), with parts 07,08
05	0020135114	Support PHE	VU 306/5-5 (plus 630), with parts 07,08
05	0020135115	Support PHE	VU 376/5-5 (plus 637), with parts 07,08
06	0020135116	Support PHE top	VU 376/5-5, with parts 07,08
07	0020133828	Screw (PK10)	
08	0020136643	Screw (PK10)	
09	0020093190	Insulation, 16 mm with nut and washer	
10	-	-	not for these appliances
11	-	-	not for these appliances
12	049324	Burner	VU 126/5-5 (plus 612), with parts 13,14
12	049324	Burner	VU 156/5-5 (plus 615), with parts 13,14
12	049324	Burner	VU 186/5-5 (plus 618), with parts 13,14
12	049345	Burner	VU 246/5-5 (plus 624), with parts 13,14
12	050430	Burner	VU 306/5-5 (plus 630), with parts 13,14
12	050430	Burner	VU 376/5-5 (plus 637), with parts 13,14
13	105900	Screw (PK10)	
14	981103	Gasket burner	
15	193595	Insulation	with parts 14,13
16	0020038679	Gasket kit	with part 18
17	0020135118	Flange	with parts 13,14,16,18,19,20,23,24
18	0020026537	Nut M6 (PK5)	
19	193597	Screw (PK10)	
20	193594	Gasket	
21	161245	Inspection glass	
22	0020133816	Electrode	with parts 23,24
23	981330	Gasket electrode	
24	118937	Pan head screw (M 5x12)	
25	0020135119	Cable ignition	
26	-	-	not available as spare part, see pos. 29
27	0020135121	Clamp	
28	-	-	not for these appliances
29	0020141345	Siphon/trap	with part 26,27
30	0020077919	O-ring (PK5)	
31	0020144602	Hose, condensate	

Subject to alteration !

Attention: Please take the gross price from the valid price list !

05 Gas section

VU 126/5-5, VU 156/5-5, VU 186/5-5, VU 246/5-5, VU 306/5-5, VU 376/5-5
ecoTEC plus 612, 615, 618, 624, 630, 637



02-05-027

05 Gas section

VU 126/5-5, VU 156/5-5, VU 186/5-5, VU 246/5-5, VU 306/5-5, VU 376/5-5
ecoTEC plus 612, 615, 618, 624, 630, 637

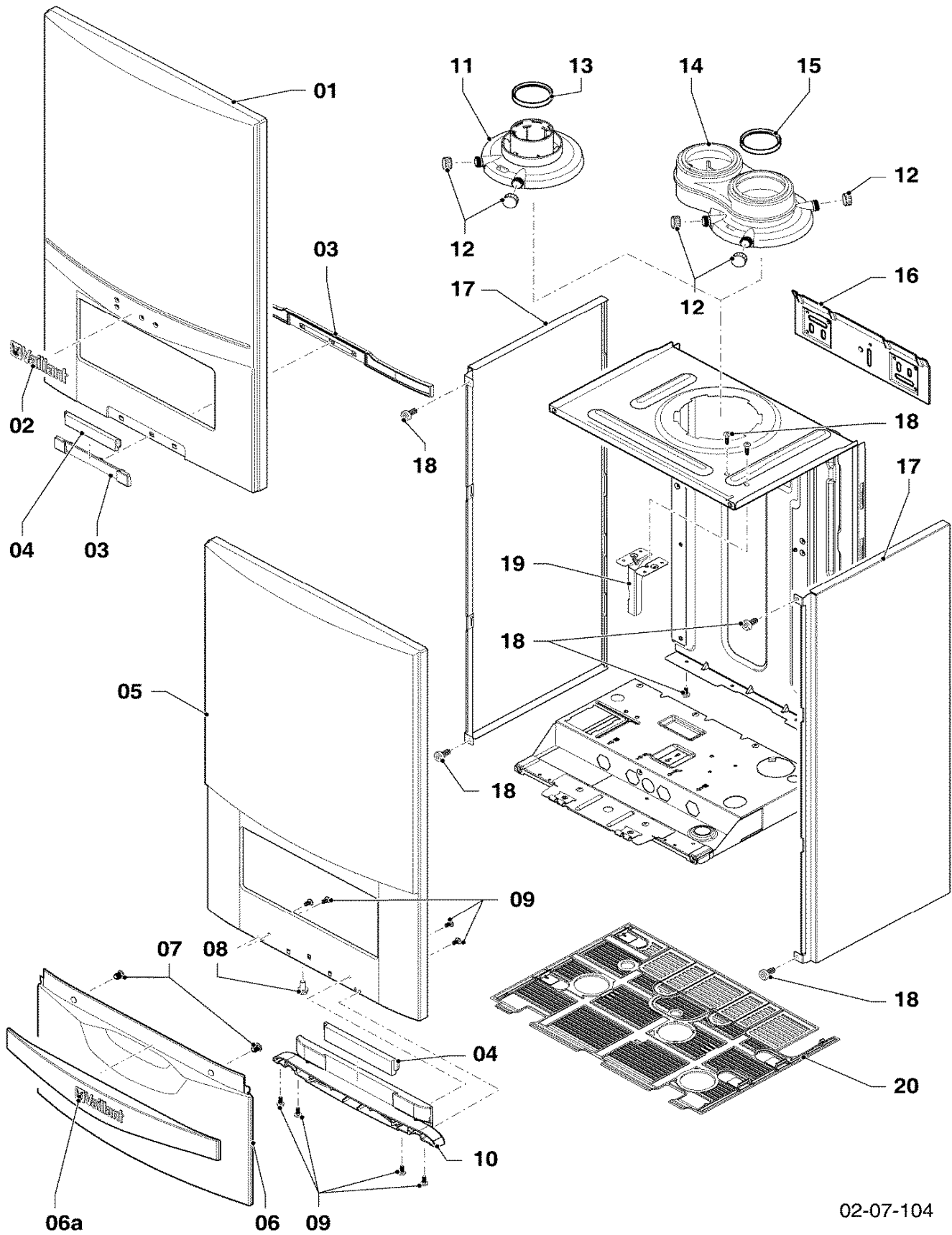
Pos.	Art.-No	Part	Type, note
		0205027	
01	0020135147	Air inlet pipe	only for VU 126...186
02	0020135150	Support air inlet duct	only for VU 126...186, with parts 05,06,07
03	0020135148	Air inlet pipe	only for VU 246...376
04	0020135151	Support air inlet duct	only for VU 246...376, with parts 05,06,07
05	0020026537	Nut M6 (PK5)	
06	0020135152	Washer (PK10)	
07	0020133833	Screw (PK10)	
08	0020135138	Fan	VU 126/5-5 (plus 612), with parts 09,11,12,20,23,24
08	0020135138	Fan	VU 156/5-5 (plus 615), with parts 09,11,12,20,23,24
08	0020135138	Fan	VU 186/5-5 (plus 618), with parts 09,11,12,20,23,24
08	0020135138	Fan	VU 246/5-5 (plus 624), with parts 09,11,12,20,23,24
08	0020135138	Fan	VU 306/5-5 (plus 630), with parts 09,11,12,20,23,24
08	0020135139	Fan	VU 376/5-5 (plus 637), with parts 09,11,12,20,23,24
09	193594	Gasket	
10	0020135140	Cable fan 230V	only for VU 376/5-5
11	193597	Screw (PK10)	
12	0020135120	O-ring venturi (PK5)	
13	0020135122	Venturi	VU 126/5-5 (plus 612), Attention: You have to reuse the restrictor (pos. 15)! With parts 12,14,19,20
13	0020135122	Venturi	VU 156/5-5 (plus 615), Attention: You have to reuse the restrictor (pos. 15)! With parts 12,14,19,20
13	0020135122	Venturi	VU 186/5-5 (plus 618), Attention: You have to reuse the restrictor (pos. 15)! With parts 12,14,19,20
13	0020135123	Venturi	VU 246/5-5 (plus 624), Attention: You have to reuse the restrictor (pos. 15)! With parts 12,14,19,20
13	0020135124	Venturi	VU 306/5-5 (plus 630), Attention: You have to reuse the restrictor (pos. 15)! With parts 12,14,19,20
13	0020135124	Venturi	VU 376/5-5 (plus 637), Attention: You have to reuse the restrictor (pos. 15)! With parts 12,14,19,20
14	0020136647	Cap (over venturi filter)	
15	0020135126	Throttle jet, kit gas type H (yellow)	for natural gas (H), with parts 12,19,20
15	0020135128	Throttle jet, kit gas type P (grey)	for propane (P), with parts 12,19,20
16	0020136636	Clip (PK10)	
17	0020135149	Gasket air inlet duct	
18	0020135136	Gas pipe	with parts 12,19,20
19	0020135135	O-ring (PK10)	
20	981142	Sealing ring (PK10)	
21	0020148381	Gas section with regulator	VU 126/5-5 (plus 612), for natural gas (H) and propane (P), with parts 09,20,23
21	0020148381	Gas section with regulator	VU 156/5-5 (plus 615), for natural gas (H) and propane (P), with parts 09,20,23
21	0020148381	Gas section with regulator	VU 186/5-5 (plus 618), for natural gas (H) and propane (P), with parts 09,20,23
21	0020148382	Gas section	VU 246/5-5 (plus 624), for natural gas (H), with parts 09,20,23
21	0020148381	Gas section with regulator	VU 246/5-5 (plus 624), for propane (P), with parts 09,20,23
21	0020148382	Gas section	VU 306/5-5 (plus 630), for natural gas (H), with parts 09,20,23
21	0020148381	Gas section with regulator	VU 306/5-5 (plus 630), for propane (P), with parts 09,20,23
21	0020148383	Gas section with regulator	VU 376/5-5 (plus 637), for natural gas (H) and propane (P), with parts 09,20,23
22	0020135145	Support gas section	with parts 09,11,20,23,24
23	108628	Screw (PK10)	
24	509685	Screw (PK10)	
25	0020141340	Gas pipe (top)	with part 20
26	-	-	not for these appliances
27	0020141343	Gas pipe (bottom)	with parts 16,19
28	0020136643	Screw (PK10)	

Subject to alteration !

Attention: Please take the gross price from the valid price list !

07 Casing parts

VU 126/5-5, VU 156/5-5, VU 186/5-5, VU 246/5-5, VU 306/5-5, VU 376/5-5
ecoTEC plus 612, 615, 618, 624, 630, 637



02-07-104

07 Casing parts

VU 126/5-5, VU 156/5-5, VU 186/5-5, VU 246/5-5, VU 306/5-5, VU 376/5-5
ecoTEC plus 612, 615, 618, 624, 630, 637

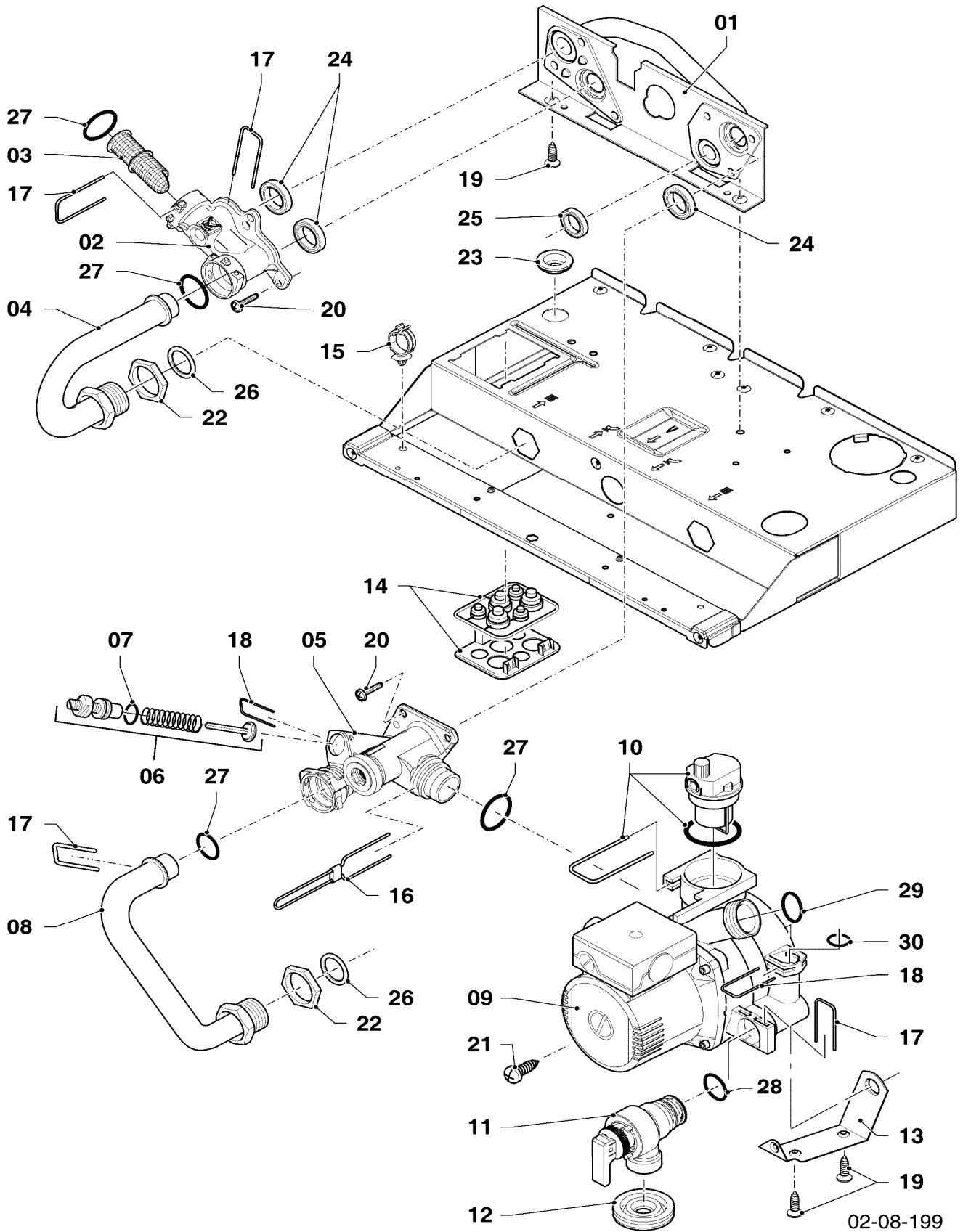
Pos.	Art.-No	Part	Type, note
		0207104	
01	-	-	not for these appliances
02	-	-	not for these appliances
03	-	-	not for these appliances
04	0020141349	Plate, product name	
05	0020144590	Casing parts, front (plus)	VU 126/5-5 (plus 612), with parts 06,06a,07,08,09,10
05	0020144590	Casing parts, front (plus)	VU 156/5-5 (plus 615), with parts 06,06a,07,08,09,10
05	0020144590	Casing parts, front (plus)	VU 186/5-5 (plus 618), with parts 06,06a,07,08,09,10
05	0020144590	Casing parts, front (plus)	VU 246/5-5 (plus 624), with parts 06,06a,07,08,09,10
05	0020144591	Casing parts, front (plus)	VU 306/5-5 (plus 630), with parts 06,06a,07,08,09,10
05	0020144592	Casing parts, front (plus)	VU 376/5-5 (plus 637), with parts 06,06a,07,08,09,10
06	0020144594	Cover	with parts 06a,07,09,10
06a	0020144609	Handle	with part 07
07	0020068136	Magnet (PK2)	
08	105839	Screw (PK10)	
09	193538	Screw (PK10)	
10	0020144595	Hinge	with part 09
11	0020144596	Adapter, 60/100	with parts 12,13
12	147392	Cap (PK5)	
13	981233	Lip seal EPDM (DN 60)	
14	-	-	not for these appliances
15	-	-	not for these appliances
16	180987	Support	
16	0020130588	Fastening kit (screws + plugs)	not shown
17	0020144593	Casing parts, side panel	with part 18
18	0020136643	Screw (PK10)	
19	0020144598	Support (expansion vessel)	with part 18
20	180988	Cover	

Subject to alteration !

Attention: Please take the gross price from the valid price list !

08a Hydraulic parts (Hydroblock)

VU 126/5-5, VU 156/5-5, VU 186/5-5, VU 246/5-5, VU 306/5-5, VU 376/5-5
ecoTEC plus 612, 615, 618, 624, 630, 637



08a Hydraulic parts (Hydroblock)

VU 126/5-5, VU 156/5-5, VU 186/5-5, VU 246/5-5, VU 306/5-5, VU 376/5-5
ecoTEC plus 612, 615, 618, 624, 630, 637

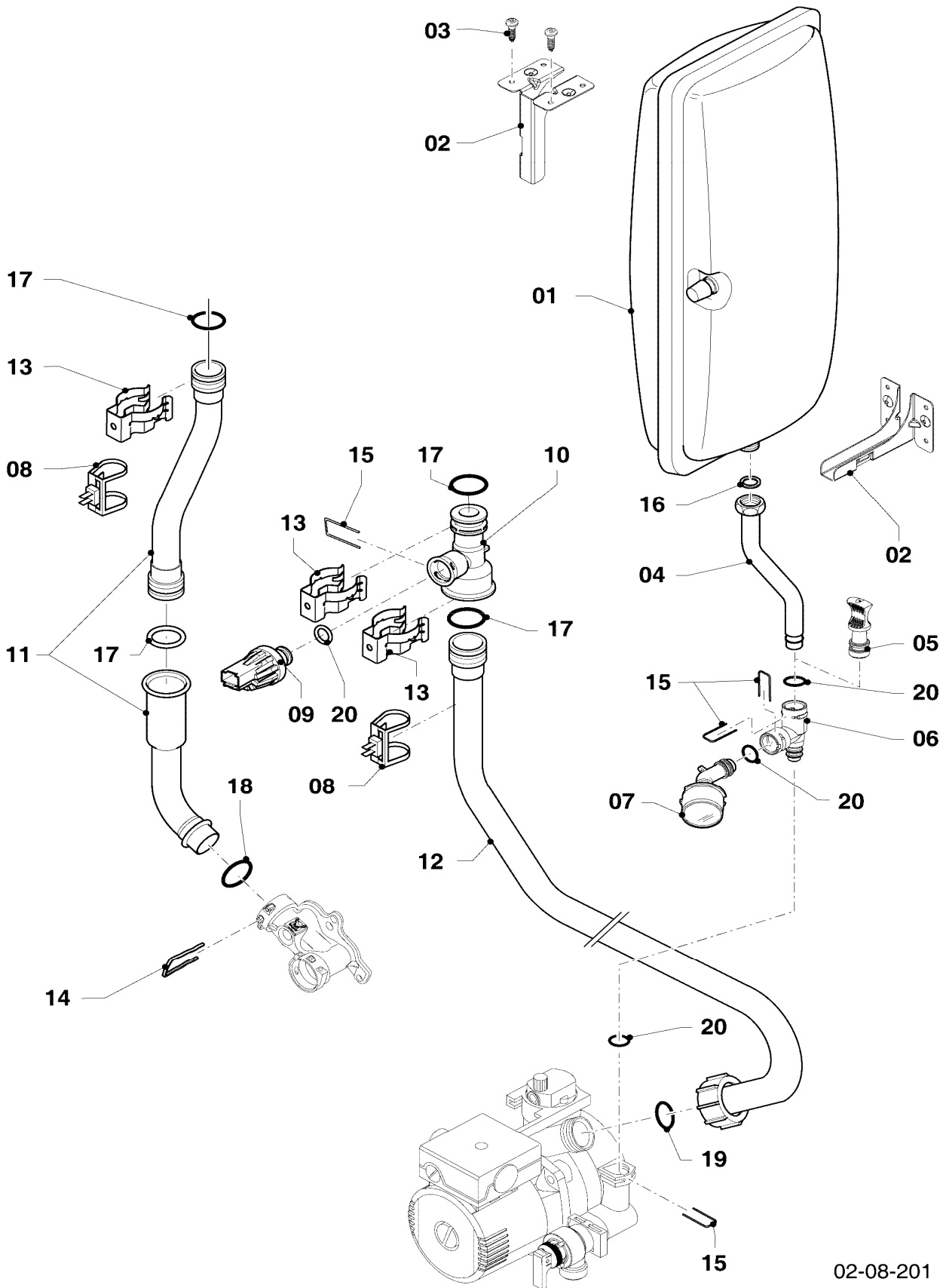
Pos.	Art.-No	Part	Type, note
		0208199	
01	509142	Support	with parts 19,20,24,25,26,27
02	509143	Connection piece (brass)	with parts 17,20,24,27
03	179030	Filter	with parts 17,27
04	179033	Pipe	with parts 22,26,27
05	509119	Connection piece	with parts 17,20,24,25,27
06	178980	Bypass	with parts 07,18
07	981165	O-ring (PK10)	
08	180999	Pipe	with parts 26,27
09	178983	Pump	VU 126/5-5 (plus 612), with parts 10,13,17,18,19,21,24,25,26,27,28,29,30
09	178983	Pump	VU 156/5-5 (plus 615), with parts 10,13,17,18,19,21,24,25,26,27,28,29,30
09	178983	Pump	VU 186/5-5 (plus 618), with parts 10,13,17,18,19,21,24,25,26,27,28,29,30
09	178983	Pump	VU 246/5-5 (plus 624), with parts 10,13,17,18,19,21,24,25,26,27,28,29,30
09	178983	Pump	VU 306/5-5 (plus 630), with parts 10,13,17,18,19,21,24,25,26,27,28,29,30
09	0020025042	Pump	VU 376/5-5 (plus 637), with parts 10,17,18,21,24,25,26,27,28,29,30
10	104521	Automatic de-aerator	
11	178985	Pressure relief valve (3 bar)	with part 17,28
12	0020039723	Gasket	
13	178984	Support	with parts 19,21
14	0020144603	Cable bushing	
15	0020144599	Clip (PK 5)	
16	178981	Clip	
17	178992	Clip (PK10)	
18	0020107694	Clip (PK5)	
19	0020107695	Screw (PK10)	
20	0020133828	Screw (PK10)	
21	0020133833	Screw (PK10)	
22	0020144600	Nut 3/4 (PK14)	
23	509120	Gasket (PK10)	
24	193535	Sealing ring (PK10)	
25	178969	Sealing ring (PK10)	
26	981152	Sealing ring (PK10)	
27	193537	O-ring (PK10)	
28	178986	O-ring (PK10)	
29	193539	O-ring (PK10)	
30	178993	O-ring (PK10)	

Subject to alteration !

Attention: Please take the gross price from the valid price list !

08b Hydraulic parts

VU 126/5-5, VU 156/5-5, VU 186/5-5, VU 246/5-5, VU 306/5-5, VU 376/5-5
ecoTEC plus 612, 615, 618, 624, 630, 637



02-08-201

08b Hydraulic parts

VU 126/5-5, VU 156/5-5, VU 186/5-5, VU 246/5-5, VU 306/5-5, VU 376/5-5
ecoTEC plus 612, 615, 618, 624, 630, 637

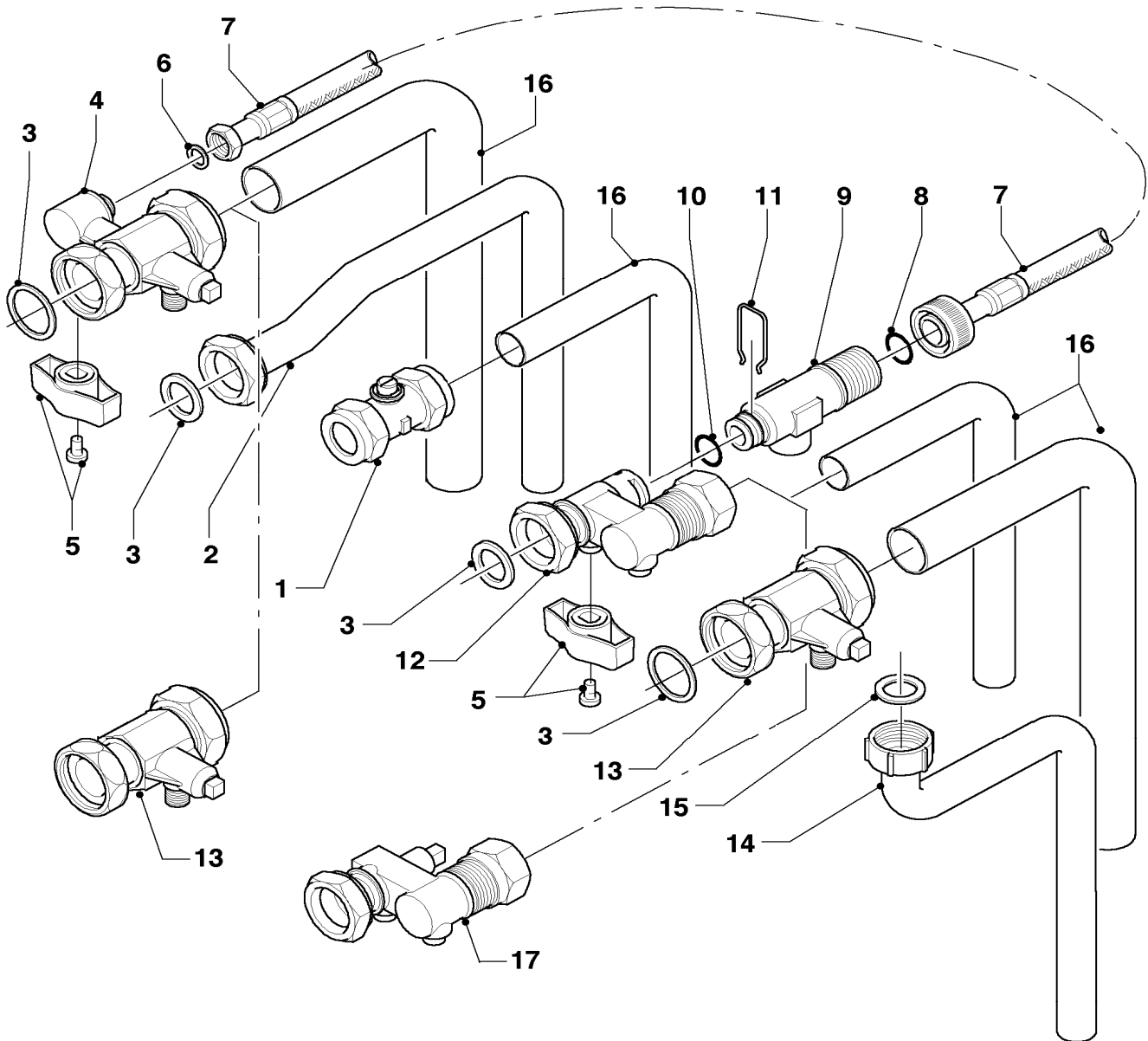
Pos.	Art.-No	Part	Type, note
		0208201	
01	181051	Expansion vessel 10 ltr.	
02	0020144598	Support (expansion vessel)	with part 03
03	0020136643	Screw (PK10)	
04	0020144605	Tube, expansion vessel	with parts 15,16,20
05	-	-	not for these appliances
06	-	-	not available separately, see pos. 07
07	0020147866	Pressure gauge	Attention: If you replace the pressure gauge you also have to replace the adapter pos. 06! Otherwise you can cause water leakage. Therefore this spare part is including the adapter. With part 06,15,20
08	193592	Sensor NTC (CH flow/CH return)	
09	0020059717	Sensor (water pressure)	with parts 15,20
10	0020087657	Adapter	with parts 15,17,20
11	0020068956	Connection tube	VU 126/5-5 (plus 612), with parts 17,18
11	0020068956	Connection tube	VU 156/5-5 (plus 615), with parts 17,18
11	0020068956	Connection tube	VU 186/5-5 (plus 618), with parts 17,18
11	0020068956	Connection tube	VU 246/5-5 (plus 624), with parts 17,18
11	0020068957	Connection tube	VU 306/5-5 (plus 630), with parts 17,18
11	0020068957	Connection tube	VU 376/5-5 (plus 637), with parts 17,18
12	0020068958	Connection tube	with parts 10,13,15,17,19,20
13	103417	Clip (PK10)	
14	178992	Clip (PK10)	
15	0020107694	Clip (PK5)	
16	981149	Sealing ring (PK10)	
17	103415	O-ring (PK10)	
18	193537	O-ring (PK10)	
19	193539	O-ring (PK10)	
20	178993	O-ring (PK10)	

Subject to alteration !

Attention: Please take the gross price from the valid price list !

08c Connection parts (acc.)

VU 126/5-5, VU 156/5-5, VU 186/5-5, VU 246/5-5, VU 306/5-5, VU 376/5-5
ecoTEC plus 612, 615, 618, 624, 630, 637



02 - 08 - 125.01

08c Connection parts (acc.)

VU 126/5-5, VU 156/5-5, VU 186/5-5, VU 246/5-5, VU 306/5-5, VU 376/5-5
ecoTEC plus 612, 615, 618, 624, 630, 637

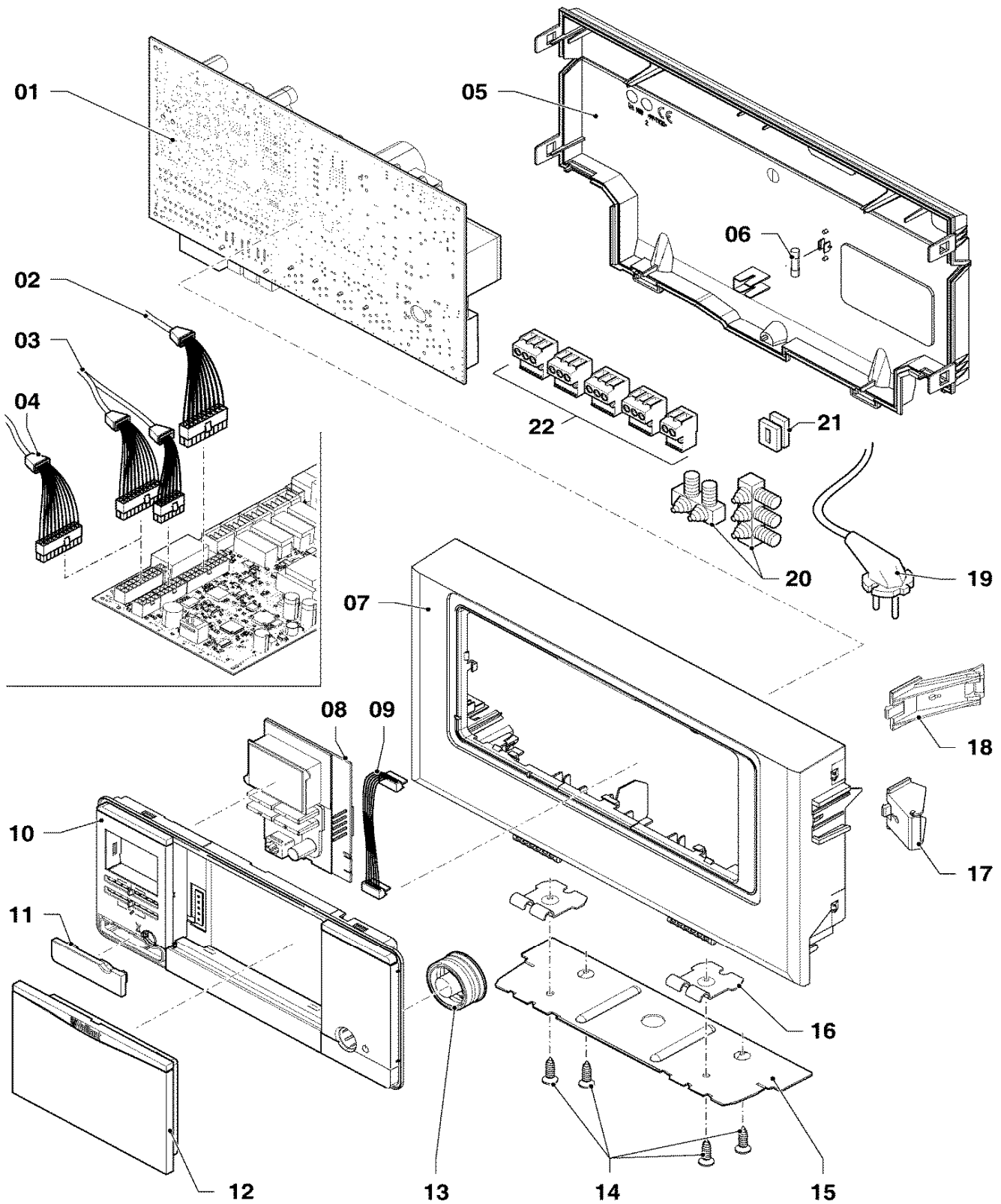
Pos.	Art.-No	Part	Type, note
		0208125	
00	0020005550	ASSEMBLY KIT 178773	VU 126/5-5 (plus 612), not shown
00	0020005550	ASSEMBLY KIT 178773	VU 156/5-5 (plus 615), not shown
00	0020005550	ASSEMBLY KIT 178773	VU 186/5-5 (plus 618), not shown
00	0020005550	ASSEMBLY KIT 178773	VU 246/5-5 (plus 624), not shown
00	0020005550	ASSEMBLY KIT 178773	VU 306/5-5 (plus 630), not shown
00	0020023301	Assembly kit, packaged VU 0020023299	VU 376/5-5 (plus 637), not shown
01	082782	Gas shut-off valve	VU 126/5-5 (plus 612)
01	082782	Gas shut-off valve	VU 156/5-5 (plus 615)
01	082782	Gas shut-off valve	VU 186/5-5 (plus 618)
01	082782	Gas shut-off valve	VU 246/5-5 (plus 624)
01	082782	Gas shut-off valve	VU 306/5-5 (plus 630)
01	082794	Gas shut-off valve 36kW	VU 376/5-5 (plus 637)
02	-	-	not for these appliances
03	981140	Sealing ring 3/4 (PK10)	
04	-	-	not for these appliances
05	0020010292	Handle (PK2)	
06	-	-	not for these appliances
07	-	-	not for these appliances
08	-	-	not for these appliances
09	-	-	not for these appliances
10	-	-	not for these appliances
11	-	-	not for these appliances
12	-	-	not for these appliances
13	0020010296	Service cock	with part 03
14	0020010297	Pipe	with part 15
15	0020010298	Sealing ring (PK10)	
16	0020041996	Assembly kit (Pipes APC GB)	VU 126/5-5 (plus 612)
16	0020041996	Assembly kit (Pipes APC GB)	VU 156/5-5 (plus 615)
16	0020041996	Assembly kit (Pipes APC GB)	VU 186/5-5 (plus 618)
16	0020041996	Assembly kit (Pipes APC GB)	VU 246/5-5 (plus 624)
16	0020041996	Assembly kit (Pipes APC GB)	VU 306/5-5 (plus 630)
16	0020164966	Pipe kit for GB	VU 376/5-5 (plus 637)
17	-	-	not for these appliances

Subject to alteration !

Attention: Please take the gross price from the valid price list !

12 Control box

VU 126/5-5, VU 156/5-5, VU 186/5-5, VU 246/5-5, VU 306/5-5, VU 376/5-5
ecoTEC plus 612, 615, 618, 624, 630, 637



02-12-061

12 Control box

VU 126/5-5, VU 156/5-5, VU 186/5-5, VU 246/5-5, VU 306/5-5, VU 376/5-5
ecoTEC plus 612, 615, 618, 624, 630, 637

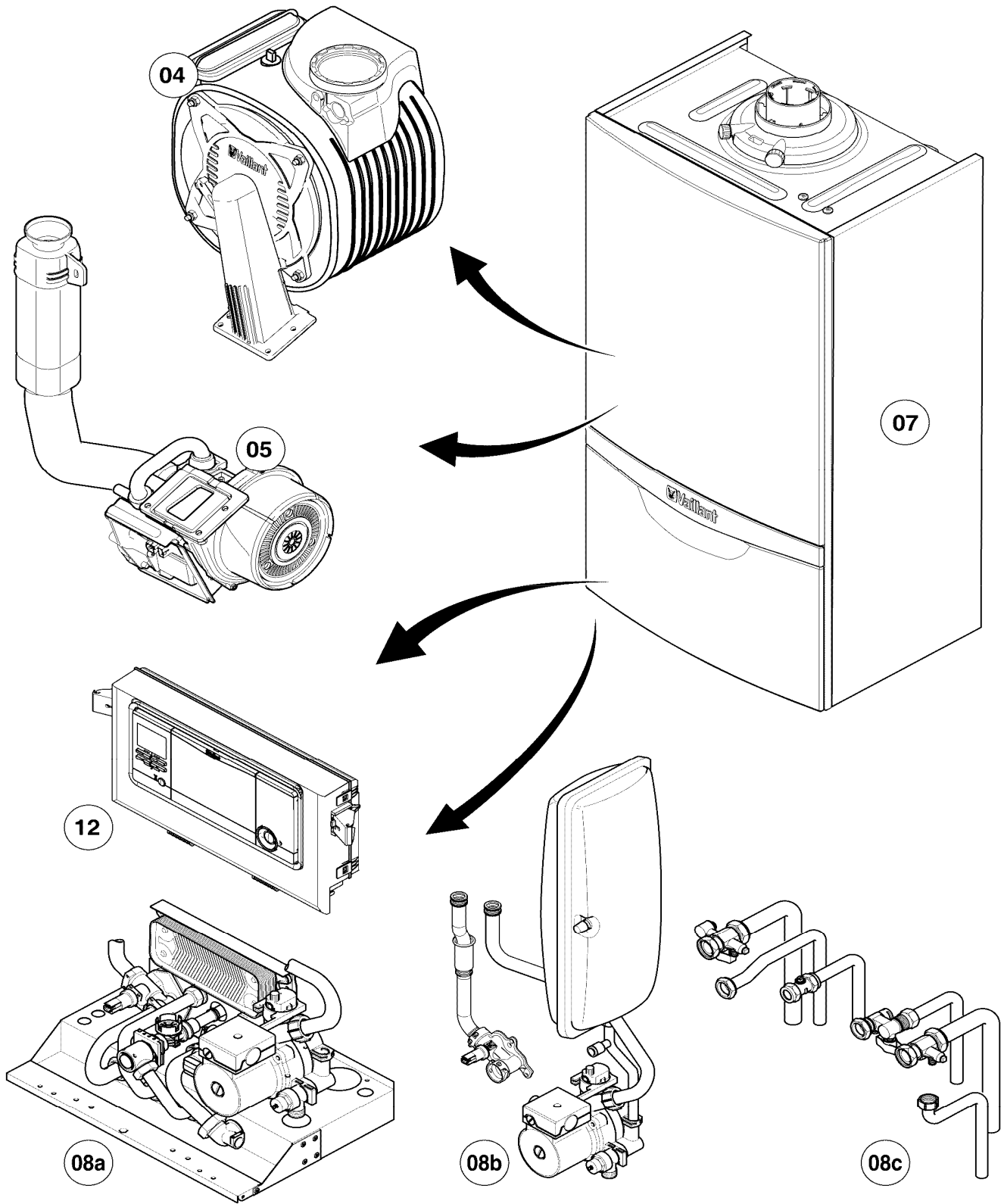
Pos.	Art.-No	Part	Type, note
		0212061	
01	0020135165	Printed circuit board	with part 22
02	0020135159	Wiring harness	VU 126/5-5 (plus 612)
02	0020135159	Wiring harness	VU 156/5-5 (plus 615)
02	0020135159	Wiring harness	VU 186/5-5 (plus 618)
02	0020135159	Wiring harness	VU 246/5-5 (plus 624)
02	0020135159	Wiring harness	VU 306/5-5 (plus 630)
02	0020135160	Wiring harness	VU 376/5-5 (plus 637)
03	0020135154	Wiring harness	VU 126/5-5 (plus 612)
03	0020135154	Wiring harness	VU 156/5-5 (plus 615)
03	0020135154	Wiring harness	VU 186/5-5 (plus 618)
03	0020135154	Wiring harness	VU 246/5-5 (plus 624)
03	0020135156	Wiring harness	VU 306/5-5 (plus 630)
03	0020135156	Wiring harness	VU 376/5-5 (plus 637)
04	-	-	not for these appliances
05	0020136635	Casing back (incl. fuse T2H)	with part 06
06	0020067507	Fuse 2,0 A T2H (PK10)	
07	0020136631	Casing front (plus)	with parts 10,11,12,13
08	0020136628	Display (Plus)	
09	0020136630	Cable display	
10	-	-	not available separately, see pos. 07
11	0020136640	Cover diagnostic connector	
12	0020136633	Cover control (plus)	
13	0020136642	Button power switch (plus)	
14	0020136643	Screw (PK10)	
15	-	-	VU 126/5-5 (plus 612), not for these appliances
15	-	-	VU 156/5-5 (plus 615), not for these appliances
15	-	-	VU 186/5-5 (plus 618), not for these appliances
15	-	-	VU 246/5-5 (plus 624), not for these appliances
15	0020144613	Support (extension)	VU 306/5-5 (plus 630), with part 14
15	0020144612	Support (extension)	VU 376/5-5 (plus 637), with part 14
16	0020144611	Support, control box (PK2)	with part 14
17	193583	Support (PK2)	VU 126/5-5 (plus 612)
17	193583	Support (PK2)	VU 156/5-5 (plus 615)
17	193583	Support (PK2)	VU 186/5-5 (plus 618)
17	193583	Support (PK2)	VU 246/5-5 (plus 624)
17	193584	Support (PK2)	VU 306/5-5 (plus 630)
17	-	-	VU 376/5-5 (plus 637), not for these appliances
18	193585	Support (PK2)	only for VU 376
19	-	-	not for GB
20	078533	Cable fixation	
21	139438	Black plastic filler control box	
22	0020136646	Connector ProE (Set)	

Subject to alteration !

Attention: Please take the gross price from the valid price list !

General view of sheet

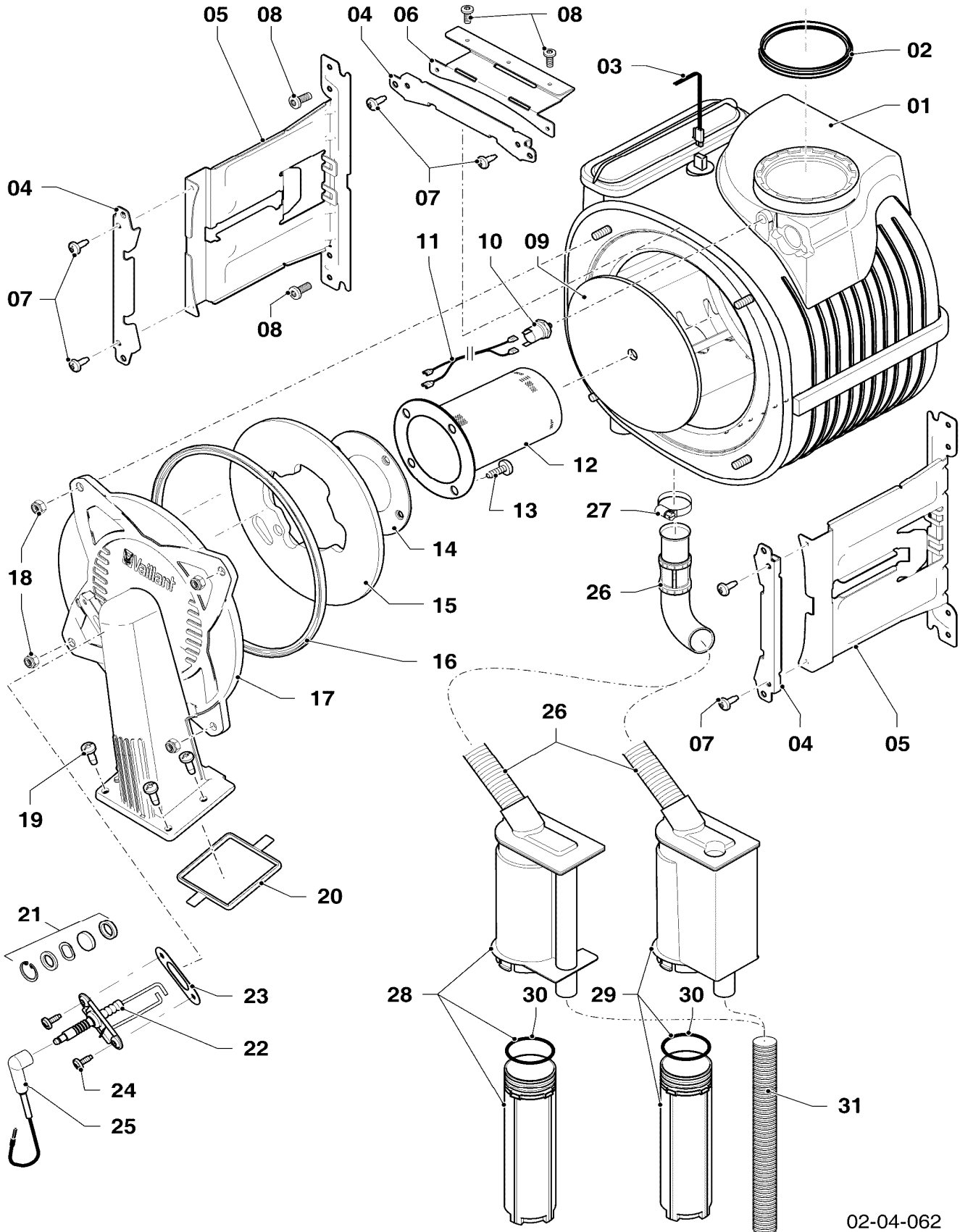
VU 126/5-5 R1,R2, VU 156/5-5 R1,R2, VU 186/5-5 R1,R2, VU 246/5-5 R1,R2, VU 306/5-5 R1,R2, VU 376/5-5 R1
ecoTEC plus 612, 615, 618, 624, 630, 637 R1,R2



02-00-111

04 Burner

VU 126/5-5 R1,R2, VU 156/5-5 R1,R2, VU 186/5-5 R1,R2, VU 246/5-5 R1,R2, VU 306/5-5 R1,R2, VU 376/5-5 R1
ecoTEC plus 612, 615, 618, 624, 630, 637 R1,R2



02-04-062

04 Burner

VU 126/5-5 R1,R2, VU 156/5-5 R1,R2, VU 186/5-5 R1,R2, VU 246/5-5 R1,R2, VU 306/5-5 R1,R2, VU 376/5-5 R1,R2
ecoTEC plus 612, 615, 618, 624, 630, 637 R1,R2

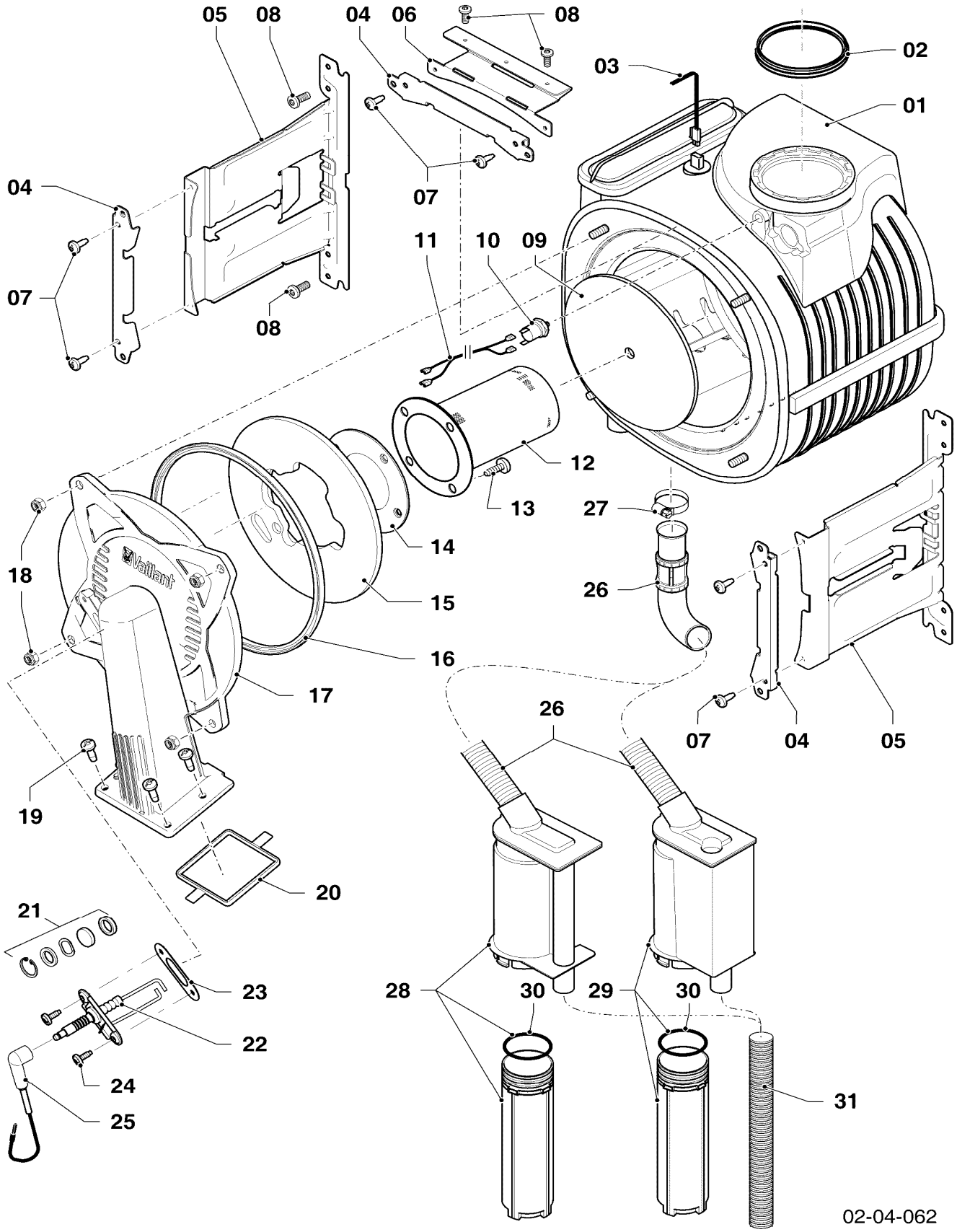
Pos.	Art.-No	Part	Type, note
		0204062	
01	0020135129	Heat exchanger	VU 126/5-5 R1 (plus 612), with parts 03,16,18,27
01	0020135129	Heat exchanger	VU 126/5-5 R2 (plus 612), with parts 03,16,18,27
01	0020135129	Heat exchanger	VU 156/5-5 R1 (plus 615), with parts 03,16,18,27
01	0020135129	Heat exchanger	VU 156/5-5 R2 (plus 615), with parts 03,16,18,27
01	0020135129	Heat exchanger	VU 186/5-5 R1 (plus 618), with parts 03,16,18,27
01	0020135129	Heat exchanger	VU 186/5-5 R2 (plus 618), with parts 03,16,18,27
01	0020135131	Heat exchanger	VU 246/5-5 R1 (plus 624), with parts 03,16,18,27
01	0020135131	Heat exchanger	VU 246/5-5 R2 (plus 624), with parts 03,16,18,27
01	0020135133	Heat exchanger	VU 306/5-5 R1 (plus 630), with parts 03,16,18,27
01	0020135133	Heat exchanger	VU 306/5-5 R2 (plus 630), with parts 03,16,18,27
01	0020135134	Heat exchanger	VU 376/5-5 R1 (plus 637), with parts 03,16,18,27
01	0020135134	Heat exchanger	VU 376/5-5 R2 (plus 637), with parts 03,16,18,27
02	981233	Lip seal EPDM (DN 60)	
03	0020135107	Cable	VU 126/5-5 R1 (plus 612)
03	0020135107	Cable	VU 126/5-5 R2 (plus 612)
03	0020135107	Cable	VU 156/5-5 R1 (plus 615)
03	0020135107	Cable	VU 156/5-5 R2 (plus 615)
03	0020135107	Cable	VU 186/5-5 R1 (plus 618)
03	0020135107	Cable	VU 186/5-5 R2 (plus 618)
03	0020135108	Cable	VU 246/5-5 R1 (plus 624)
03	0020135108	Cable	VU 246/5-5 R2 (plus 624)
03	0020135109	Cable	VU 306/5-5 R1 (plus 630)
03	0020135109	Cable	VU 306/5-5 R2 (plus 630)
03	0020135110	Cable	VU 376/5-5 R1 (plus 637)
03	0020135110	Cable	VU 376/5-5 R2 (plus 637)
04	0020135117	Clip support PHE	with part 07
05	0020135112	Support PHE	VU 126/5-5 R1 (plus 612), with parts 07,08
05	0020135112	Support PHE	VU 126/5-5 R2 (plus 612), with parts 07,08
05	0020135112	Support PHE	VU 156/5-5 R1 (plus 615), with parts 07,08
05	0020135112	Support PHE	VU 156/5-5 R2 (plus 615), with parts 07,08
05	0020135112	Support PHE	VU 186/5-5 R1 (plus 618), with parts 07,08
05	0020135112	Support PHE	VU 186/5-5 R2 (plus 618), with parts 07,08
05	0020135113	Support PHE	VU 246/5-5 R1 (plus 624), with parts 07,08
05	0020135113	Support PHE	VU 246/5-5 R2 (plus 624), with parts 07,08
05	0020135114	Support PHE	VU 306/5-5 R1 (plus 630), with parts 07,08
05	0020135114	Support PHE	VU 306/5-5 R2 (plus 630), with parts 07,08
05	0020135115	Support PHE	VU 376/5-5 R1 (plus 637), with parts 07,08
05	0020135115	Support PHE	VU 376/5-5 R2 (plus 637), with parts 07,08
06	0020135116	Support PHE top	VU 376/5-5, with parts 07,08
07	0020133828	Screw (PK10)	
08	0020136643	Screw (PK10)	
09	0020093190	Insulation, 16 mm with nut and washer	VU 126/5-5 R1 (plus 612)
09	0020143489	Insulation, 16 mm with clips	VU 126/5-5 R2 (plus 612)
09	0020093190	Insulation, 16 mm with nut and washer	VU 156/5-5 R1 (plus 615)
09	0020143489	Insulation, 16 mm with clips	VU 156/5-5 R2 (plus 615)
09	0020093190	Insulation, 16 mm with nut and washer	VU 186/5-5 R1 (plus 618)
09	0020143489	Insulation, 16 mm with clips	VU 186/5-5 R2 (plus 618)
09	0020093190	Insulation, 16 mm with nut and washer	VU 246/5-5 R1 (plus 624)
09	0020143489	Insulation, 16 mm with clips	VU 246/5-5 R2 (plus 624)
09	0020093190	Insulation, 16 mm with nut and washer	VU 306/5-5 R1 (plus 630)
09	0020143489	Insulation, 16 mm with clips	VU 306/5-5 R2 (plus 630)
09	0020093190	Insulation, 16 mm with nut and washer	VU 376/5-5 R1 (plus 637)
09	0020143489	Insulation, 16 mm with clips	VU 376/5-5 R2 (plus 637)

Subject to alteration !

Attention: Please take the gross price from the valid price list !

04 Burner

VU 126/5-5 R1,R2, VU 156/5-5 R1,R2, VU 186/5-5 R1,R2, VU 246/5-5 R1,R2, VU 306/5-5 R1,R2, VU 376/5-5 R1
ecoTEC plus 612, 615, 618, 624, 630, 637 R1,R2



02-04-062

04 Burner

VU 126/5-5 R1,R2, VU 156/5-5 R1,R2, VU 186/5-5 R1,R2, VU 246/5-5 R1,R2, VU 306/5-5 R1,R2, VU 376/5-5 R1
ecoTEC plus 612, 615, 618, 624, 630, 637 R1,R2

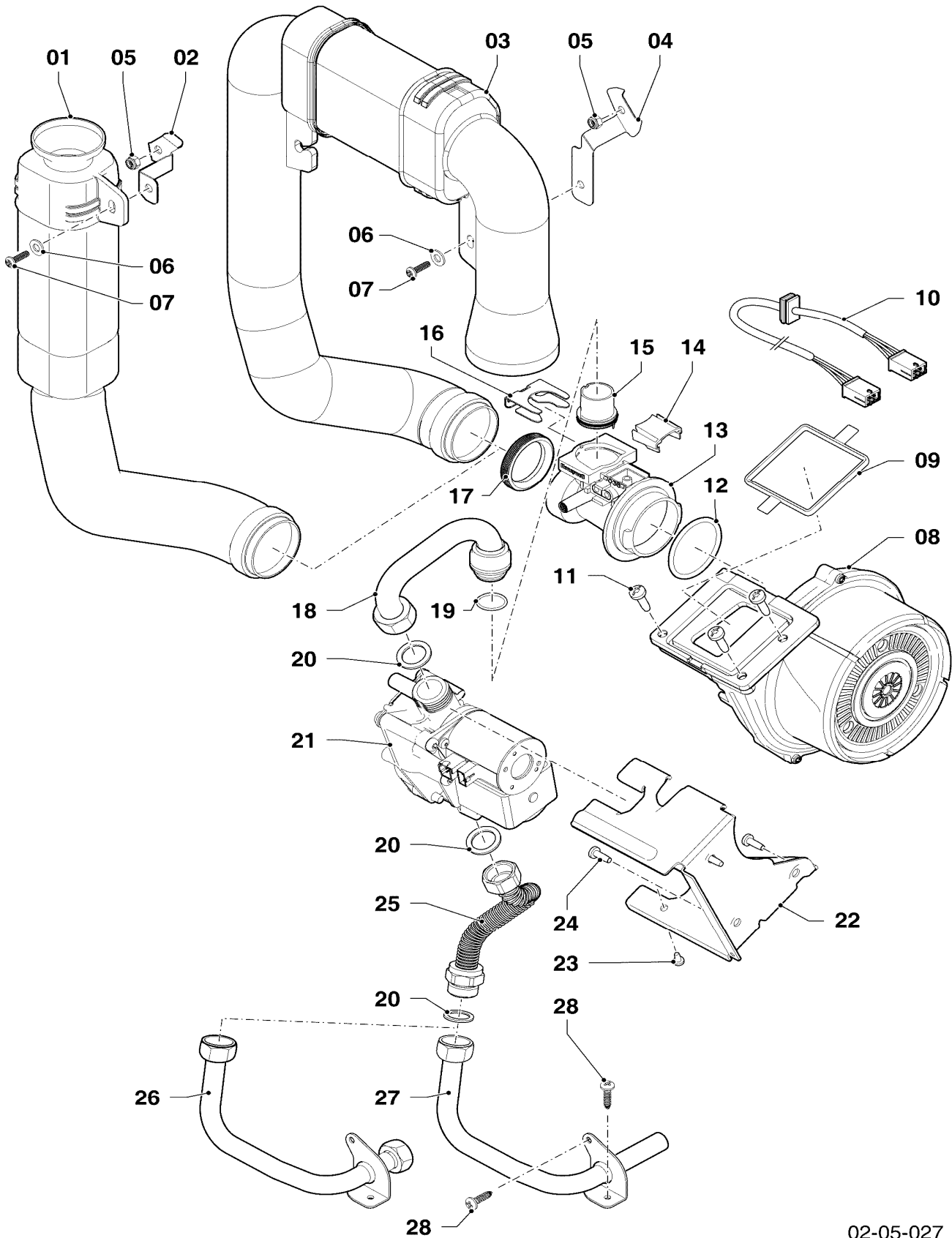
Pos.	Art.-No	Part	Type, note
		0204062	
10	-	-	not for these appliances
11	-	-	not for these appliances
12	049324	Burner	VU 126/5-5 R1 (plus 612), with parts 13,14
12	049324	Burner	VU 126/5-5 R2 (plus 612), with parts 13,14
12	049324	Burner	VU 156/5-5 R1 (plus 615), with parts 13,14
12	049324	Burner	VU 156/5-5 R2 (plus 615), with parts 13,14
12	049324	Burner	VU 186/5-5 R1 (plus 618), with parts 13,14
12	049324	Burner	VU 186/5-5 R2 (plus 618), with parts 13,14
12	049345	Burner	VU 246/5-5 R1 (plus 624), with parts 13,14
12	049345	Burner	VU 246/5-5 R2 (plus 624), with parts 13,14
12	050430	Burner	VU 306/5-5 R1 (plus 630), with parts 13,14
12	050430	Burner	VU 306/5-5 R2 (plus 630), with parts 13,14
12	050430	Burner	VU 376/5-5 R1 (plus 637), with parts 13,14
12	050430	Burner	VU 376/5-5 R2 (plus 637), with parts 13,14
13	105900	Screw (PK10)	
14	981103	Gasket burner	
15	193595	Insulation	with parts 14,13
16	0020038679	Gasket kit	with part 18
17	0020135118	Flange	with parts 13,14,16,18,19,20,23,24
18	0020026537	Nut M6 (PK5)	
19	193597	Screw (PK10)	
20	193594	Gasket	
21	161245	Inspection glass	Attention! In a limited period the inspection glass was sealed cause of a bigger diameter of the hole and snap ring. These inspection glasses must not be replaced!
22	0020133816	Electrode	with parts 23,24
23	981330	Gasket electrode	
24	118937	Pan head screw (M 5x12)	
25	0020135119	Cable ignition	
26	-	-	not available as spare part, see pos. 29
27	0020135121	Clamp	
28	-	-	not for these appliances
29	0020141345	Siphon/trap	with part 26,27
30	0020077919	O-ring (PK5)	
31	0020144602	Hose, condensate	

Subject to alteration !

Attention: Please take the gross price from the valid price list !

05 Gas section

VU 126/5-5 R1,R2, VU 156/5-5 R1,R2, VU 186/5-5 R1,R2, VU 246/5-5 R1,R2, VU 306/5-5 R1,R2, VU 376/5-5 R1
ecoTEC plus 612, 615, 618, 624, 630, 637 R1,R2



02-05-027

05 Gas section

VU 126/5-5 R1,R2, VU 156/5-5 R1,R2, VU 186/5-5 R1,R2, VU 246/5-5 R1,R2, VU 306/5-5 R1,R2, VU 376/5-5 R1
ecoTEC plus 612, 615, 618, 624, 630, 637 R1,R2

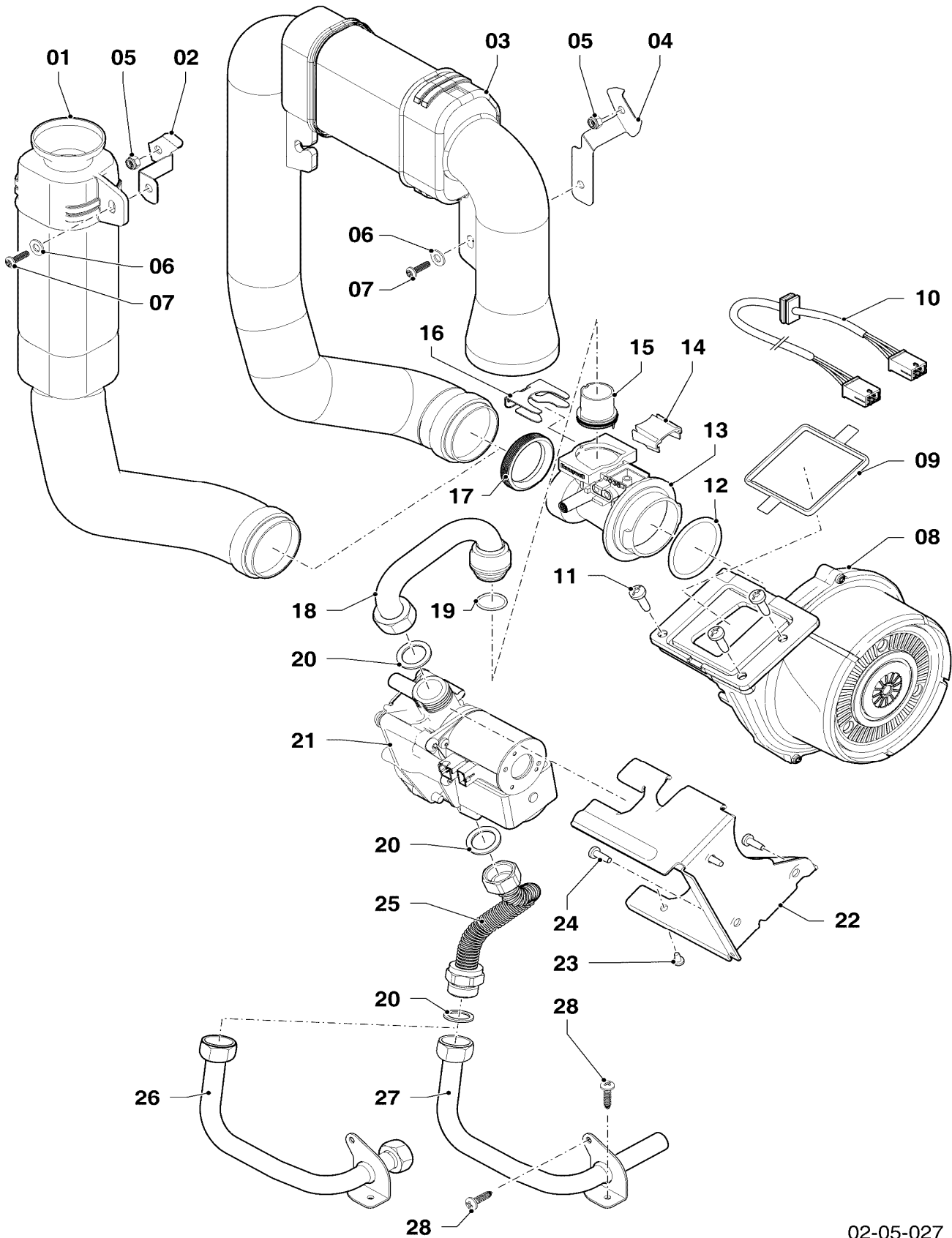
Pos.	Art.-No	Part	Type, note
		0205027	
01	0020135147	Air inlet pipe	only for VU 126...186
02	0020135150	Support air inlet duct	only for VU 126...186, with parts 05,06,07
03	0020135148	Air inlet pipe	only for VU 246...376
04	0020135151	Support air inlet duct	only for VU 246...376, with parts 05,06,07
05	0020026537	Nut M6 (PK5)	
06	0020135152	Washer (PK10)	
07	0020133833	Screw (PK10)	
08	0020135138	Fan	VU 126/5-5 R1 (plus 612), with parts 09,11,12,20,23,24
08	0020135138	Fan	VU 126/5-5 R2 (plus 612), with parts 09,11,12,20,23,24
08	0020135138	Fan	VU 156/5-5 R1 (plus 615), with parts 09,11,12,20,23,24
08	0020135138	Fan	VU 156/5-5 R2 (plus 615), with parts 09,11,12,20,23,24
08	0020135138	Fan	VU 186/5-5 R1 (plus 618), with parts 09,11,12,20,23,24
08	0020135138	Fan	VU 186/5-5 R2 (plus 618), with parts 09,11,12,20,23,24
08	0020135138	Fan	VU 246/5-5 R1 (plus 624), with parts 09,11,12,20,23,24
08	0020135138	Fan	VU 246/5-5 R2 (plus 624), with parts 09,11,12,20,23,24
08	0020135138	Fan	VU 306/5-5 R1 (plus 630), with parts 09,11,12,20,23,24
08	0020135138	Fan	VU 306/5-5 R2 (plus 630), with parts 09,11,12,20,23,24
08	0020135139	Fan	VU 376/5-5 R1 (plus 637), with parts 09,11,12,20,23,24
08	0020135139	Fan	VU 376/5-5 R2 (plus 637), with parts 09,11,12,20,23,24
09	193594	Gasket	
10	0020135140	Cable fan 230V	only for VU 376/5-5
11	193597	Screw (PK10)	
12	0020135120	O-ring venturi (PK5)	
13	0020135122	Venturi	VU 126/5-5 R1 (plus 612), Attention: You have to reuse the restrictor (pos. 15)! With parts 12,14,19,20
13	0020135122	Venturi	VU 126/5-5 R2 (plus 612), Attention: You have to reuse the restrictor (pos. 15)! With parts 12,14,19,20
13	0020135122	Venturi	VU 156/5-5 R1 (plus 615), Attention: You have to reuse the restrictor (pos. 15)! With parts 12,14,19,20
13	0020135122	Venturi	VU 156/5-5 R2 (plus 615), Attention: You have to reuse the restrictor (pos. 15)! With parts 12,14,19,20
13	0020135122	Venturi	VU 186/5-5 R1 (plus 618), Attention: You have to reuse the restrictor (pos. 15)! With parts 12,14,19,20
13	0020135122	Venturi	VU 186/5-5 R2 (plus 618), Attention: You have to reuse the restrictor (pos. 15)! With parts 12,14,19,20
13	0020135123	Venturi	VU 246/5-5 R1 (plus 624), Attention: You have to reuse the restrictor (pos. 15)! With parts 12,14,19,20
13	0020135123	Venturi	VU 246/5-5 R2 (plus 624), Attention: You have to reuse the restrictor (pos. 15)! With parts 12,14,19,20
13	0020135124	Venturi	VU 306/5-5 R1 (plus 630), Attention: You have to reuse the restrictor (pos. 15)! With parts 12,14,19,20
13	0020135124	Venturi	VU 306/5-5 R2 (plus 630), Attention: You have to reuse the restrictor (pos. 15)! With parts 12,14,19,20
13	0020135124	Venturi	VU 376/5-5 R1 (plus 637), Attention: You have to reuse the restrictor (pos. 15)! With parts 12,14,19,20
13	0020135124	Venturi	VU 376/5-5 R2 (plus 637), Attention: You have to reuse the restrictor (pos. 15)! With parts 12,14,19,20
14	0020136647	Cap (over venturi filter)	
15	0020135126	Throttle jet, kit gas type H (yellow)	for natural gas (H), with parts 12,19,20
15	0020135128	Throttle jet, kit gas type P (grey)	for propane (P), with parts 12,19,20
16	0020136636	Clip (PK10)	
17	0020135149	Gasket air inlet duct	
18	0020135136	Gas pipe	with parts 12,19,20
19	0020135135	O-ring (PK10)	
20	981142	Sealing ring (PK10)	

Subject to alteration !

Attention: Please take the gross price from the valid price list !

05 Gas section

VU 126/5-5 R1,R2, VU 156/5-5 R1,R2, VU 186/5-5 R1,R2, VU 246/5-5 R1,R2, VU 306/5-5 R1,R2, VU 376/5-5 R1
ecoTEC plus 612, 615, 618, 624, 630, 637 R1,R2



02-05-027

05 Gas section

VU 126/5-5 R1,R2, VU 156/5-5 R1,R2, VU 186/5-5 R1,R2, VU 246/5-5 R1,R2, VU 306/5-5 R1,R2, VU 376/5-5 R1
ecoTEC plus 612, 615, 618, 624, 630, 637 R1,R2

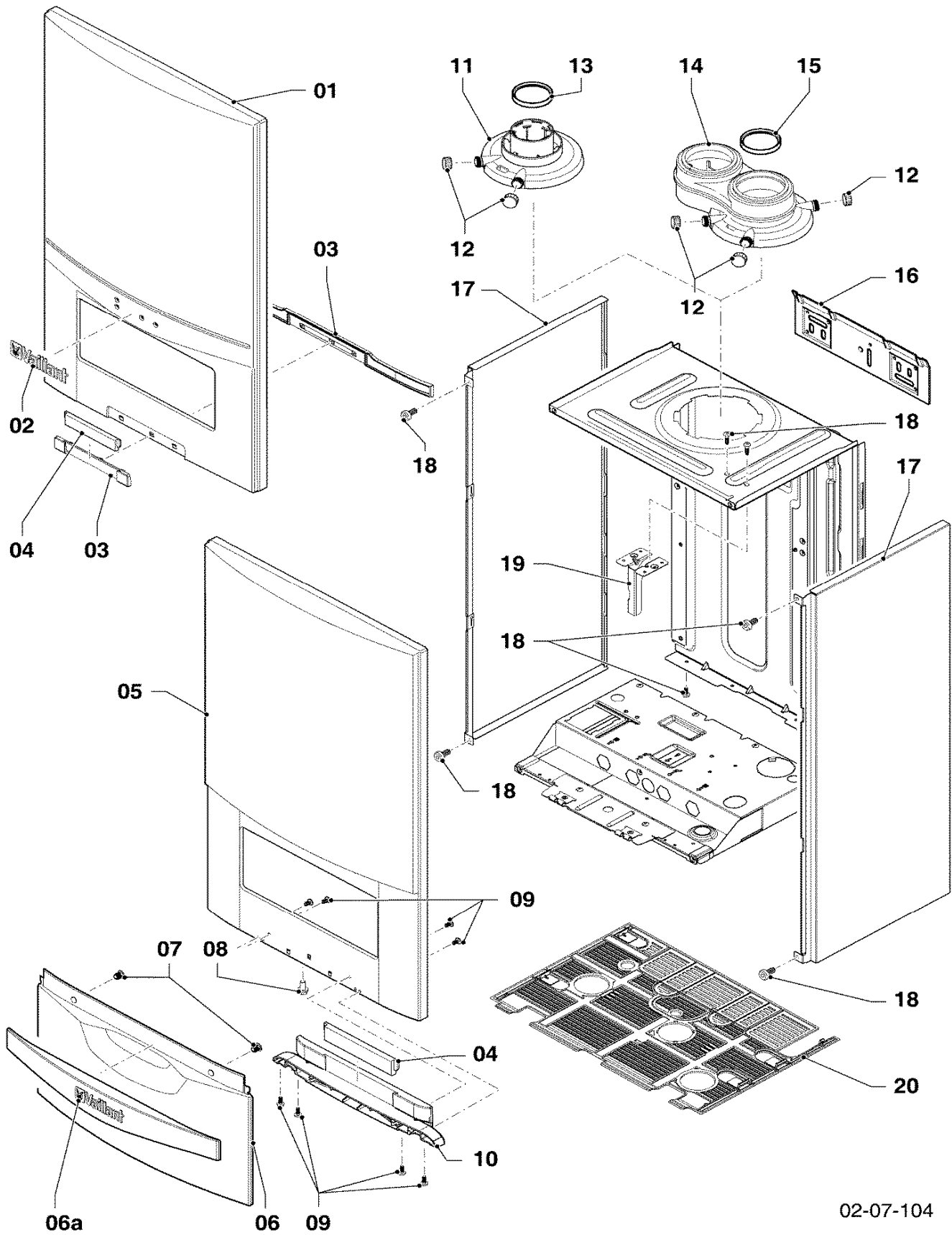
Pos.	Art.-No	Part	Type, note
		0205027	
21	0020148381	Gas section with regulator	VU 126/5-5 (plus 612), for natural gas (H) and propane (P), with parts 09,20,23
21	0020148381	Gas section with regulator	VU 126/5-5 (plus 612), for natural gas (H) and propane (P), with parts 09,20,23
21	0020148381	Gas section with regulator	VU 156/5-5 (plus 615), for natural gas (H) and propane (P), with parts 09,20,23
21	0020148381	Gas section with regulator	VU 156/5-5 (plus 615), for natural gas (H) and propane (P), with parts 09,20,23
21	0020148381	Gas section with regulator	VU 186/5-5 (plus 618), for natural gas (H) and propane (P), with parts 09,20,23
21	0020148381	Gas section with regulator	VU 186/5-5 (plus 618), for natural gas (H) and propane (P), with parts 09,20,23
21	0020148382	Gas section	VU 246/5-5 (plus 624), for natural gas (H), with parts 09,20,23
21	0020148382	Gas section	VU 246/5-5 (plus 624), for natural gas (H), with parts 09,20,23
21	0020148381	Gas section with regulator	VU 246/5-5 (plus 624), for propane (P), with parts 09,20,23
21	0020148381	Gas section with regulator	VU 246/5-5 (plus 624), for propane (P), with parts 09,20,23
21	0020148382	Gas section	VU 306/5-5 (plus 630), for natural gas (H), with parts 09,20,23
21	0020148382	Gas section	VU 306/5-5 (plus 630), for natural gas (H), with parts 09,20,23
21	0020148381	Gas section with regulator	VU 306/5-5 (plus 630), for propane (P), with parts 09,20,23
21	0020148381	Gas section with regulator	VU 306/5-5 (plus 630), for propane (P), with parts 09,20,23
21	0020148383	Gas section with regulator	VU 376/5-5 (plus 637), for natural gas (H) and propane (P), with parts 09,20,23
21	0020148383	Gas section with regulator	VU 376/5-5 (plus 637), for natural gas (H) and propane (P), with parts 09,20,23
22	0020135145	Support gas section	with parts 09,11,20,23,24
23	108628	Screw (PK10)	
24	509685	Screw (PK10)	
25	0020141340	Gas pipe (top)	with part 20
26	-	-	not for these appliances
27	0020141343	Gas pipe (bottom)	with parts 16,19
28	0020136643	Screw (PK10)	

Subject to alteration !

Attention: Please take the gross price from the valid price list !

07 Casing parts

VU 126/5-5 R1,R2, VU 156/5-5 R1,R2, VU 186/5-5 R1,R2, VU 246/5-5 R1,R2, VU 306/5-5 R1,R2, VU 376/5-5 R1
ecoTEC plus 612, 615, 618, 624, 630, 637 R1,R2



02-07-104

07 Casing parts

VU 126/5-5 R1,R2, VU 156/5-5 R1,R2, VU 186/5-5 R1,R2, VU 246/5-5 R1,R2, VU 306/5-5 R1,R2, VU 376/5-5 R1
ecoTEC plus 612, 615, 618, 624, 630, 637 R1,R2

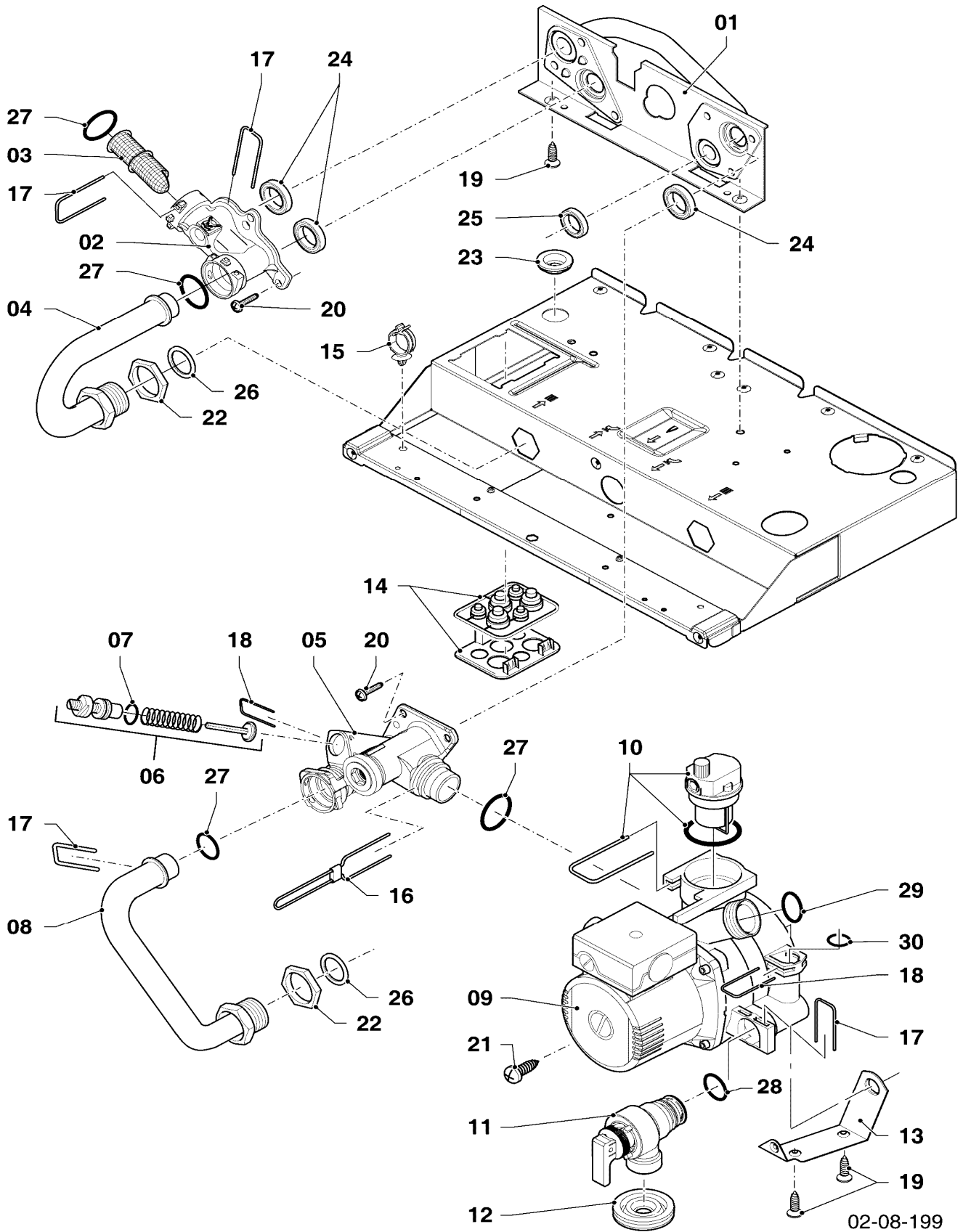
Pos.	Art.-No	Part	Type, note
		0207104	
01	-	-	not for these appliances
02	-	-	not for these appliances
03	-	-	not for these appliances
04	0020141349	Plate, product name	
05	0020144590	Casing parts, front (plus)	VU 126/5-5 R1 (plus 612), with parts 06,06a,07,08,09,10
05	0020144590	Casing parts, front (plus)	VU 126/5-5 R2 (plus 612), with parts 06,06a,07,08,09,10
05	0020144590	Casing parts, front (plus)	VU 156/5-5 R1 (plus 615), with parts 06,06a,07,08,09,10
05	0020144590	Casing parts, front (plus)	VU 156/5-5 R2 (plus 615), with parts 06,06a,07,08,09,10
05	0020144590	Casing parts, front (plus)	VU 186/5-5 R1 (plus 618), with parts 06,06a,07,08,09,10
05	0020144590	Casing parts, front (plus)	VU 186/5-5 R2 (plus 618), with parts 06,06a,07,08,09,10
05	0020144590	Casing parts, front (plus)	VU 246/5-5 R1 (plus 624), with parts 06,06a,07,08,09,10
05	0020144590	Casing parts, front (plus)	VU 246/5-5 R2 (plus 624), with parts 06,06a,07,08,09,10
05	0020144591	Casing parts, front (plus)	VU 306/5-5 R1 (plus 630), with parts 06,06a,07,08,09,10
05	0020144591	Casing parts, front (plus)	VU 306/5-5 R2 (plus 630), with parts 06,06a,07,08,09,10
05	0020144592	Casing parts, front (plus)	VU 376/5-5 R1 (plus 637), with parts 06,06a,07,08,09,10
05	0020144592	Casing parts, front (plus)	VU 376/5-5 R2 (plus 637), with parts 06,06a,07,08,09,10
06	0020144594	Cover	with parts 06a,07,09,10
06a	0020144609	Handle	with part 07
07	0020068136	Magnet (PK2)	
08	105839	Screw (PK10)	
09	193538	Screw (PK10)	
10	0020144595	Hinge	with part 09
11	0020144596	Adapter, 60/100	with parts 12,13
12	147392	Cap (PK5)	
13	981233	Lip seal EPDM (DN 60)	
14	-	-	not for these appliances
15	-	-	not for these appliances
16	180987	Support	
16	0020130588	Fastening kit (screws + plugs)	not shown
17	0020144593	Casing parts, side panel	with part 18
18	0020136643	Screw (PK10)	
19	0020144598	Support (expansion vessel)	with part 18
20	180988	Cover	

Subject to alteration !

Attention: Please take the gross price from the valid price list !

08a Hydraulic parts (Hydroblock)

VU 126/5-5 R1,R2, VU 156/5-5 R1,R2, VU 186/5-5 R1,R2, VU 246/5-5 R1,R2, VU 306/5-5 R1,R2, VU 376/5-5 R1
ecoTEC plus 612, 615, 618, 624, 630, 637 R1,R2



08a Hydraulic parts (Hydroblock)

VU 126/5-5 R1,R2, VU 156/5-5 R1,R2, VU 186/5-5 R1,R2, VU 246/5-5 R1,R2, VU 306/5-5 R1,R2, VU 376/5-5 R1
ecoTEC plus 612, 615, 618, 624, 630, 637 R1,R2

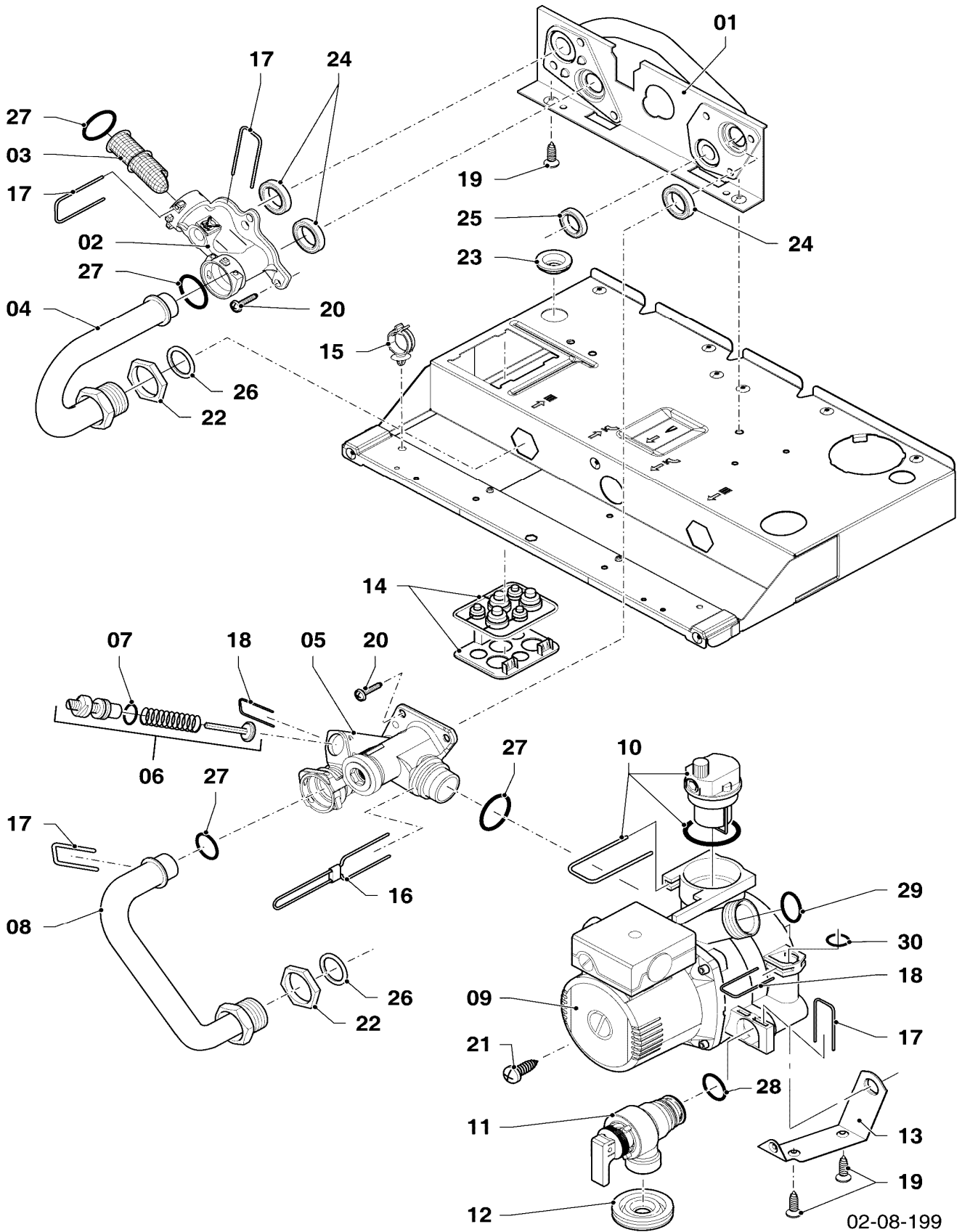
Pos.	Art.-No	Part	Type, note
		0208199	
01	509142	Support	with parts 19,20,24,25,26,27
02	509143	Connection piece (brass)	VU 126/5-5 R1 (plus 612), with parts 17,20,24,27
02	0020140560	Connection (composite)	VU 126/5-5 R2 (plus 612), with parts 17,20,24,27
02	509143	Connection piece (brass)	VU 156/5-5 R1 (plus 615), with parts 17,20,24,27
02	0020140560	Connection (composite)	VU 156/5-5 R2 (plus 615), with parts 17,20,24,27
02	509143	Connection piece (brass)	VU 186/5-5 R1 (plus 618), with parts 17,20,24,27
02	0020140560	Connection (composite)	VU 186/5-5 R2 (plus 618), with parts 17,20,24,27
02	509143	Connection piece (brass)	VU 246/5-5 R1 (plus 624), with parts 17,20,24,27
02	0020140560	Connection (composite)	VU 246/5-5 R2 (plus 624), with parts 17,20,24,27
02	509143	Connection piece (brass)	VU 306/5-5 R1 (plus 630), with parts 17,20,24,27
02	0020140560	Connection (composite)	VU 306/5-5 R2 (plus 630), with parts 17,20,24,27
02	509143	Connection piece (brass)	VU 376/5-5 R1 (plus 637), with parts 17,20,24,27
02	0020140560	Connection (composite)	VU 376/5-5 R2 (plus 637), with parts 17,20,24,27
03	179030	Filter	with parts 17,27
04	179033	Pipe	with parts 22,26,27
05	509119	Connection piece	
06	178980	Bypass	with parts 07,18
07	981165	O-ring (PK10)	
08	180999	Pipe	with parts 26,27
09	178983	Pump	VU 126/5-5 R1 (plus 612), with parts 10,13,17,18,19,21,24,25,26,27,28,29,30
09	178983	Pump	VU 126/5-5 R2 (plus 612), with parts 10,13,17,18,19,21,24,25,26,27,28,29,30
09	178983	Pump	VU 156/5-5 R1 (plus 615), with parts 10,13,17,18,19,21,24,25,26,27,28,29,30
09	178983	Pump	VU 156/5-5 R2 (plus 615), with parts 10,13,17,18,19,21,24,25,26,27,28,29,30
09	178983	Pump	VU 186/5-5 R1 (plus 618), with parts 10,13,17,18,19,21,24,25,26,27,28,29,30
09	178983	Pump	VU 186/5-5 R2 (plus 618), with parts 10,13,17,18,19,21,24,25,26,27,28,29,30
09	178983	Pump	VU 246/5-5 R1 (plus 624), with parts 10,13,17,18,19,21,24,25,26,27,28,29,30
09	178983	Pump	VU 246/5-5 R2 (plus 624), with parts 10,13,17,18,19,21,24,25,26,27,28,29,30
09	178983	Pump	VU 306/5-5 R1 (plus 630), with parts 10,13,17,18,19,21,24,25,26,27,28,29,30
09	178983	Pump	VU 306/5-5 R2 (plus 630), with parts 10,13,17,18,19,21,24,25,26,27,28,29,30
09	0020025042	Pump	VU 376/5-5 R1 (plus 637), with parts 10,17,18,21,24,25,26,27,28,29,30
09	0020025042	Pump	VU 376/5-5 R2 (plus 637), with parts 10,17,18,21,24,25,26,27,28,29,30
10	104521	Automatic de-aerator	
11	178985	Pressure relief valve (3 bar)	with part 17,28
12	0020039723	Gasket	
13	178984	Support	with parts 19,21
14	0020144603	Cable bushing	
15	0020144599	Clip (PK 5)	
16	178981	Clip	
17	178992	Clip (PK10)	
18	0020107694	Clip (PK5)	
19	0020107695	Screw (PK10)	
20	0020133828	Screw (PK10)	
21	0020133833	Screw (PK10)	

Subject to alteration !

Attention: Please take the gross price from the valid price list !

08a Hydraulic parts (Hydroblock)

VU 126/5-5 R1,R2, VU 156/5-5 R1,R2, VU 186/5-5 R1,R2, VU 246/5-5 R1,R2, VU 306/5-5 R1,R2, VU 376/5-5 R1
ecoTEC plus 612, 615, 618, 624, 630, 637 R1,R2



02-08-199

08a Hydraulic parts (Hydroblock)

VU 126/5-5 R1,R2, VU 156/5-5 R1,R2, VU 186/5-5 R1,R2, VU 246/5-5 R1,R2, VU 306/5-5 R1,R2, VU 376/5-5 R1
ecoTEC plus 612, 615, 618, 624, 630, 637 R1,R2

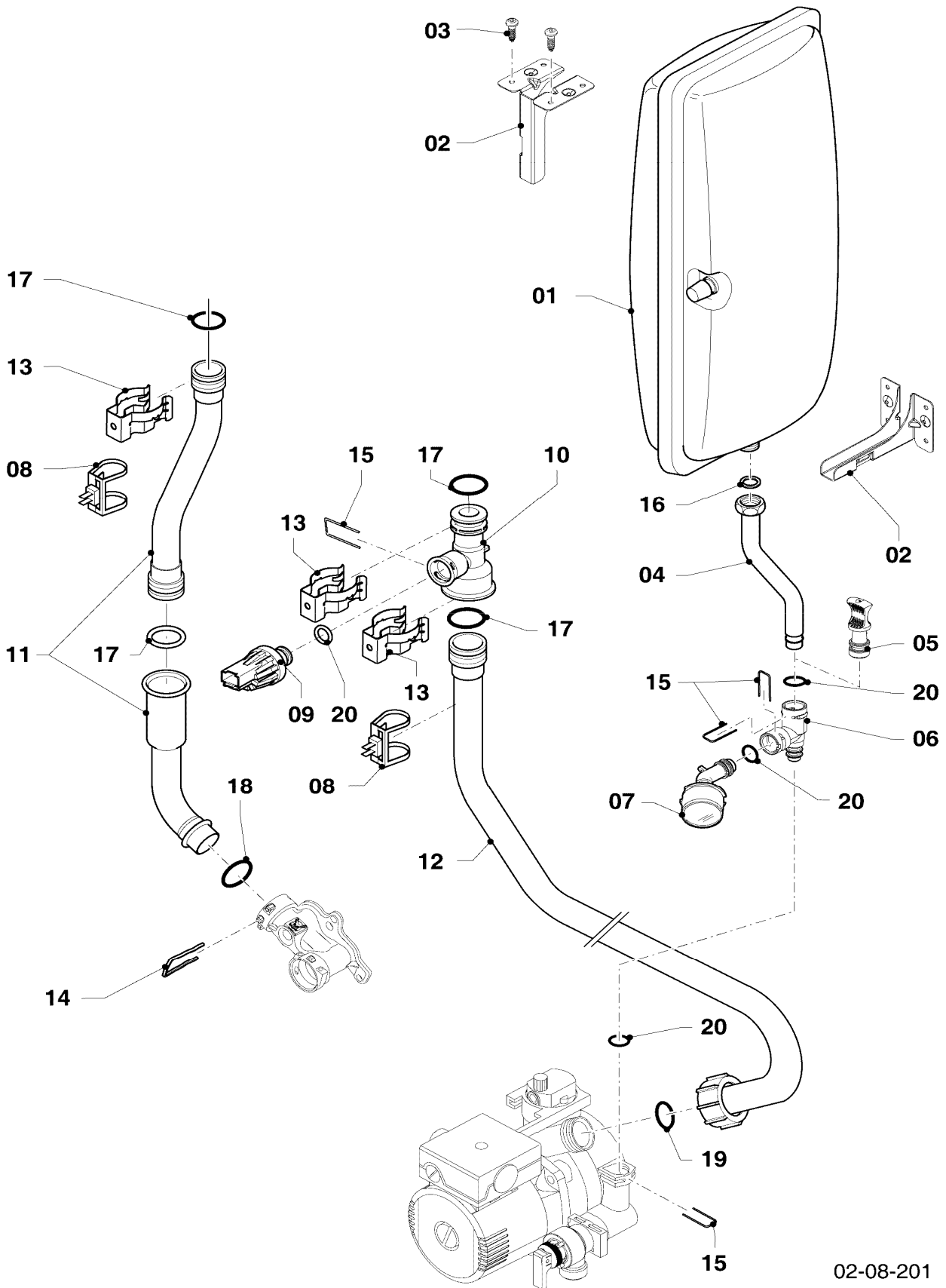
Pos.	Art.-No	Part	Type, note
		0208199	
22	0020144600	Nut 3/4 (PK14)	
23	509120	Gasket (PK10)	
24	193535	Sealing ring (PK10)	
25	178969	Sealing ring (PK10)	
26	981152	Sealing ring (PK10)	
27	193537	O-ring (PK10)	
28	178986	O-ring (PK10)	
29	193539	O-ring (PK10)	
30	178993	O-ring (PK10)	

Subject to alteration !

Attention: Please take the gross price from the valid price list !

08b Hydraulic parts

VU 126/5-5 R1,R2, VU 156/5-5 R1,R2, VU 186/5-5 R1,R2, VU 246/5-5 R1,R2, VU 306/5-5 R1,R2, VU 376/5-5 R1
ecoTEC plus 612, 615, 618, 624, 630, 637 R1,R2



02-08-201

08b Hydraulic parts

VU 126/5-5 R1,R2, VU 156/5-5 R1,R2, VU 186/5-5 R1,R2, VU 246/5-5 R1,R2, VU 306/5-5 R1,R2, VU 376/5-5 R1
ecoTEC plus 612, 615, 618, 624, 630, 637 R1,R2

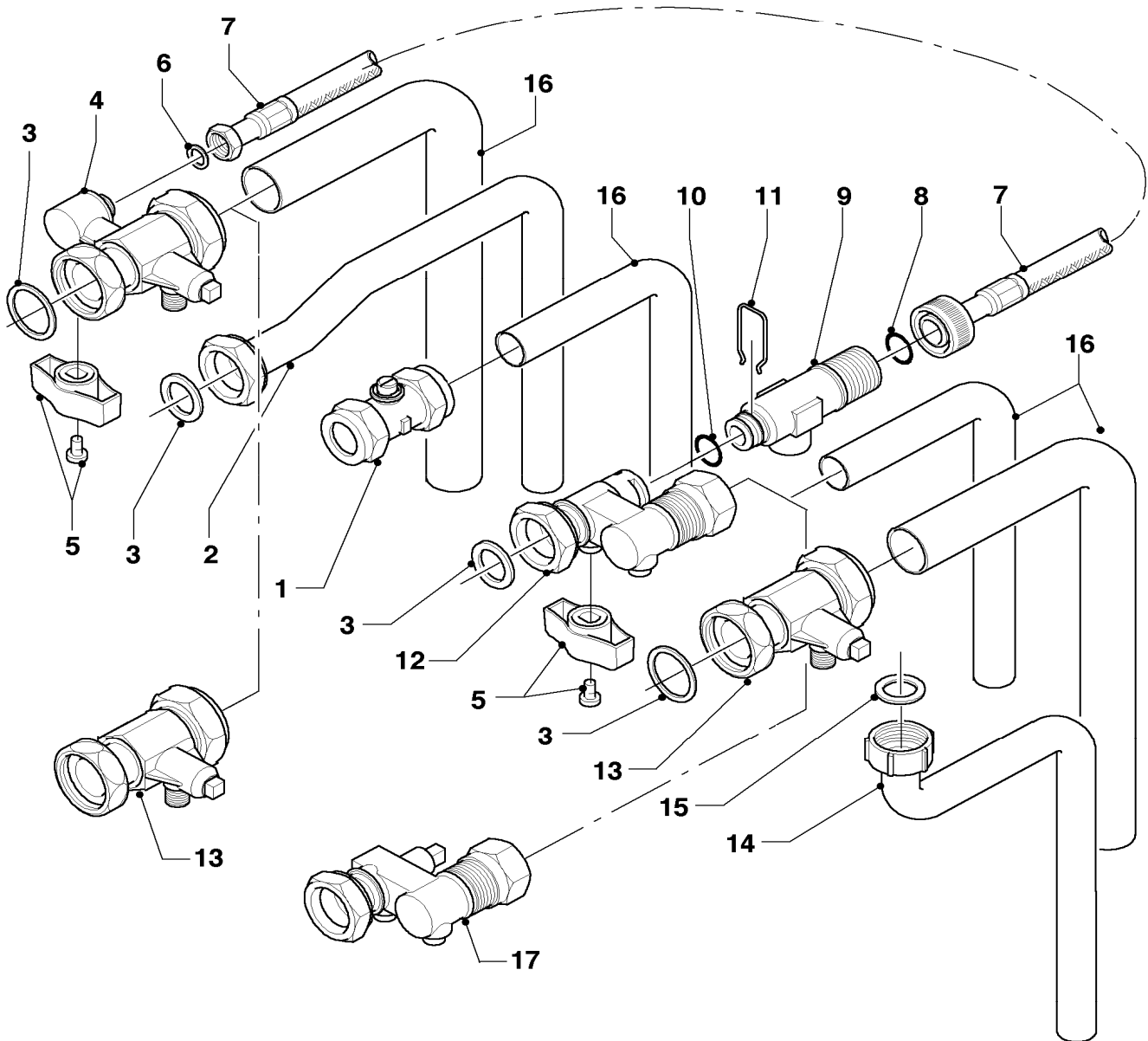
Pos.	Art.-No	Part	Type, note
		0208201	
01	181051	Expansion vessel 10 ltr.	
02	0020144598	Support (expansion vessel)	with part 03
03	0020136643	Screw (PK10)	
04	0020144605	Tube, expansion vessel	with parts 15,16,20
05	-	-	not for these appliances
06	0020144608	Adapter	with parts 15,20
07	0020144606	Pressure gauge	with parts 15,20
08	193592	Sensor NTC (CH flow/CH return)	
09	0020059717	Sensor (water pressure)	with parts 15,20
10	0020087657	Adapter	with parts 15,17,20
11	0020068956	Connection tube	VU 126/5-5 R1 (plus 612), with parts 17,18
11	0020068956	Connection tube	VU 126/5-5 R2 (plus 612), with parts 17,18
11	0020068956	Connection tube	VU 156/5-5 R1 (plus 615), with parts 17,18
11	0020068956	Connection tube	VU 156/5-5 R2 (plus 615), with parts 17,18
11	0020068956	Connection tube	VU 186/5-5 R1 (plus 618), with parts 17,18
11	0020068956	Connection tube	VU 186/5-5 R2 (plus 618), with parts 17,18
11	0020068956	Connection tube	VU 246/5-5 R1 (plus 624), with parts 17,18
11	0020068956	Connection tube	VU 246/5-5 R2 (plus 624), with parts 17,18
11	0020068957	Connection tube	VU 306/5-5 R1 (plus 630), with parts 17,18
11	0020068957	Connection tube	VU 306/5-5 R2 (plus 630), with parts 17,18
11	0020068957	Connection tube	VU 376/5-5 R1 (plus 637), with parts 17,18
11	0020068957	Connection tube	VU 376/5-5 R2 (plus 637), with parts 17,18
12	0020068958	Connection tube	with parts 10,13,15,17,19,20
13	103417	Clip (PK10)	
14	178992	Clip (PK10)	
15	0020107694	Clip (PK5)	
16	981149	Sealing ring (PK10)	
17	103415	O-ring (PK10)	
18	193537	O-ring (PK10)	
19	193539	O-ring (PK10)	
20	178993	O-ring (PK10)	

Subject to alteration !

Attention: Please take the gross price from the valid price list !

08c Connection parts (acc.)

VU 126/5-5 R1,R2, VU 156/5-5 R1,R2, VU 186/5-5 R1,R2, VU 246/5-5 R1,R2, VU 306/5-5 R1,R2, VU 376/5-5 R1,R2
ecoTEC plus 612, 615, 618, 624, 630, 637 R1,R2



02 - 08 - 125.01

08c Connection parts (acc.)

VU 126/5-5 R1,R2, VU 156/5-5 R1,R2, VU 186/5-5 R1,R2, VU 246/5-5 R1,R2, VU 306/5-5 R1,R2, VU 376/5-5 R1 ecoTEC plus 612, 615, 618, 624, 630, 637 R1,R2

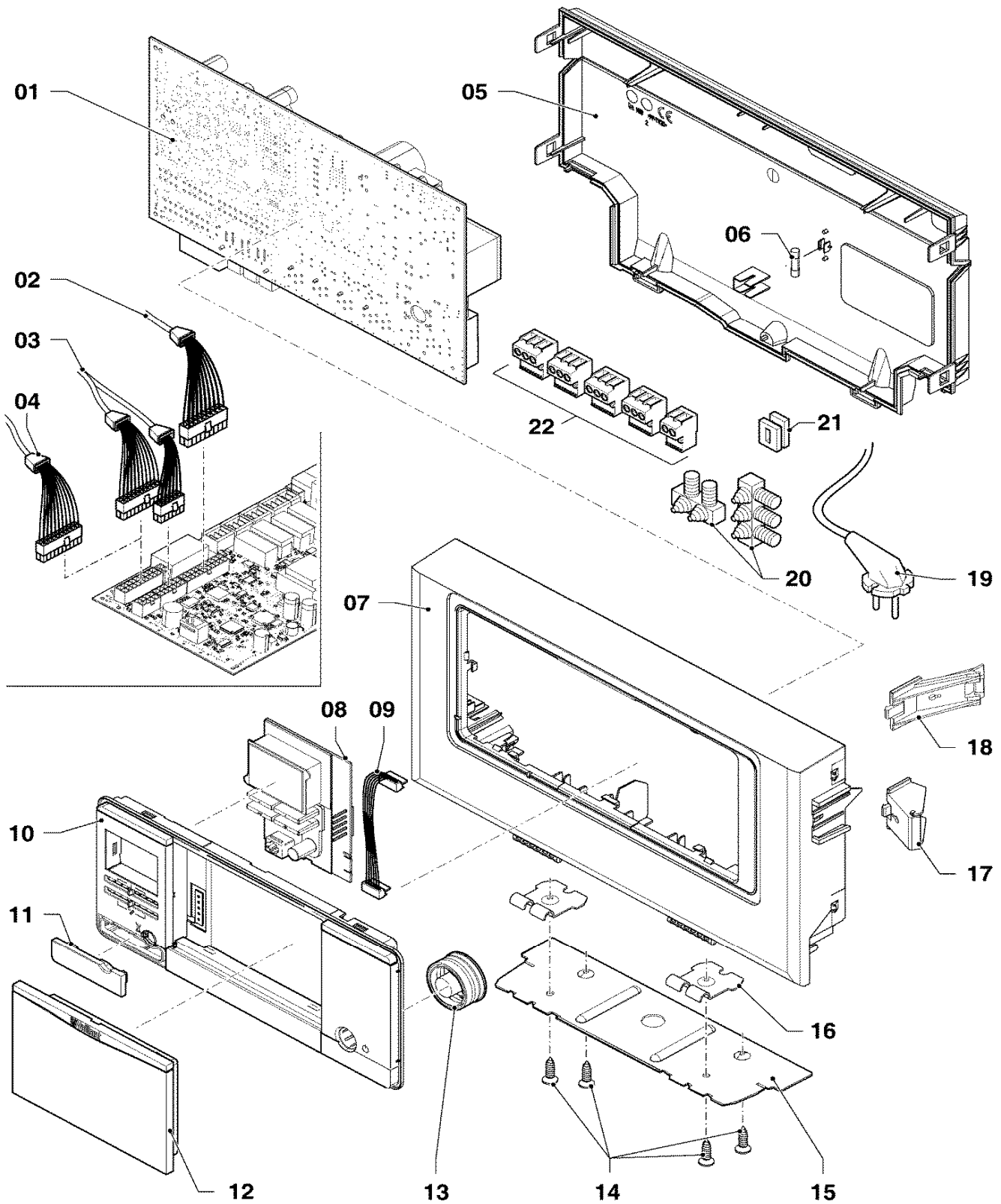
Pos.	Art.-No	Part	Type, note
		0208125	
00	0020005550	ASSEMBLY KIT 178773	VU 126/5-5 R1 (plus 612), not shown
00	0020005550	ASSEMBLY KIT 178773	VU 126/5-5 R2 (plus 612), not shown
00	0020005550	ASSEMBLY KIT 178773	VU 156/5-5 R1 (plus 615), not shown
00	0020005550	ASSEMBLY KIT 178773	VU 156/5-5 R2 (plus 615), not shown
00	0020005550	ASSEMBLY KIT 178773	VU 186/5-5 R1 (plus 618), not shown
00	0020005550	ASSEMBLY KIT 178773	VU 186/5-5 R2 (plus 618), not shown
00	0020005550	ASSEMBLY KIT 178773	VU 246/5-5 R1 (plus 624), not shown
00	0020005550	ASSEMBLY KIT 178773	VU 246/5-5 R2 (plus 624), not shown
00	0020005550	ASSEMBLY KIT 178773	VU 306/5-5 R1 (plus 630), not shown
00	0020005550	ASSEMBLY KIT 178773	VU 306/5-5 R2 (plus 630), not shown
00	0020023301	Assembly kit, packaged VU 0020023299	VU 376/5-5 R1 (plus 637), not shown
00	0020023301	Assembly kit, packaged VU 0020023299	VU 376/5-5 R2 (plus 637), not shown
01	082782	Gas shut-off valve	VU 126/5-5 R1 (plus 612)
01	082782	Gas shut-off valve	VU 126/5-5 R2 (plus 612)
01	082782	Gas shut-off valve	VU 156/5-5 R1 (plus 615)
01	082782	Gas shut-off valve	VU 156/5-5 R2 (plus 615)
01	082782	Gas shut-off valve	VU 186/5-5 R1 (plus 618)
01	082782	Gas shut-off valve	VU 186/5-5 R2 (plus 618)
01	082782	Gas shut-off valve	VU 246/5-5 R1 (plus 624)
01	082782	Gas shut-off valve	VU 246/5-5 R2 (plus 624)
01	082782	Gas shut-off valve	VU 306/5-5 R1 (plus 630)
01	082782	Gas shut-off valve	VU 306/5-5 R2 (plus 630)
01	082794	Gas shut-off valve 36kW	VU 376/5-5 R1 (plus 637)
01	082794	Gas shut-off valve 36kW	VU 376/5-5 R2 (plus 637)
02	-	-	not for these appliances
03	981140	Sealing ring 3/4 (PK10)	
04	-	-	not for these appliances
05	0020010292	Handle (PK2)	
06	-	-	not for these appliances
07	-	-	not for these appliances
08	-	-	not for these appliances
09	-	-	not for these appliances
10	-	-	not for these appliances
11	-	-	not for these appliances
12	-	-	not for these appliances
13	0020010296	Service cock	with part 03
14	0020010297	Pipe	with part 15
15	0020010298	Sealing ring (PK10)	
16	0020041996	Assembly kit (Pipes APC GB)	VU 126/5-5 R1 (plus 612)
16	0020041996	Assembly kit (Pipes APC GB)	VU 126/5-5 R2 (plus 612)
16	0020041996	Assembly kit (Pipes APC GB)	VU 156/5-5 R1 (plus 615)
16	0020041996	Assembly kit (Pipes APC GB)	VU 156/5-5 R2 (plus 615)
16	0020041996	Assembly kit (Pipes APC GB)	VU 186/5-5 R1 (plus 618)
16	0020041996	Assembly kit (Pipes APC GB)	VU 186/5-5 R2 (plus 618)
16	0020041996	Assembly kit (Pipes APC GB)	VU 246/5-5 R1 (plus 624)
16	0020041996	Assembly kit (Pipes APC GB)	VU 246/5-5 R2 (plus 624)
16	0020041996	Assembly kit (Pipes APC GB)	VU 306/5-5 R1 (plus 630)
16	0020041996	Assembly kit (Pipes APC GB)	VU 306/5-5 R2 (plus 630)
16	0020164966	Pipe kit for GB	VU 376/5-5 R1 (plus 637)
16	0020164966	Pipe kit for GB	VU 376/5-5 R2 (plus 637)
17	-	-	not for these appliances

Subject to alteration !

Attention: Please take the gross price from the valid price list !

12 Control box

VU 126/5-5 R1,R2, VU 156/5-5 R1,R2, VU 186/5-5 R1,R2, VU 246/5-5 R1,R2, VU 306/5-5 R1,R2, VU 376/5-5 R1
ecoTEC plus 612, 615, 618, 624, 630, 637 R1,R2



02-12-061

12 Control box

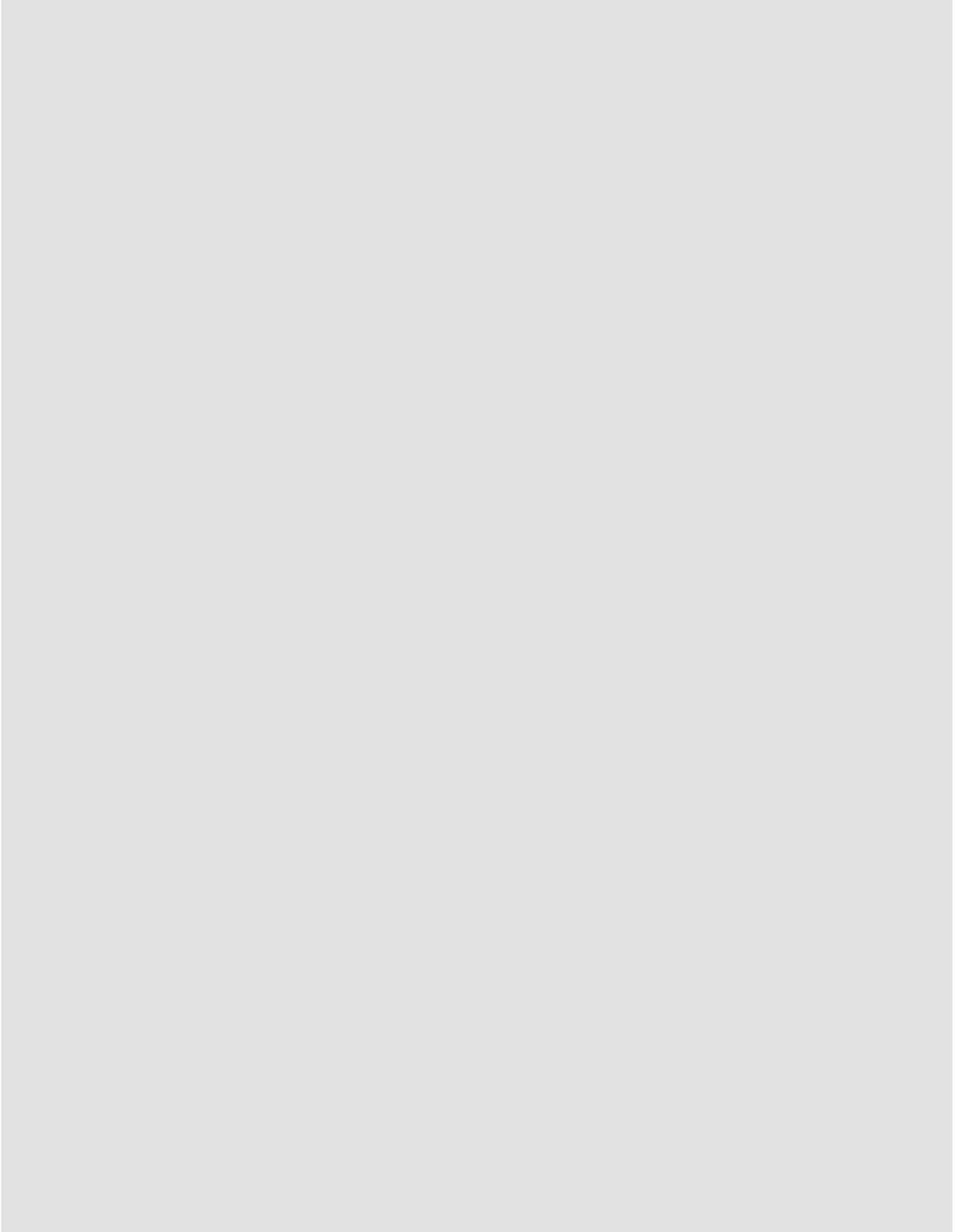
VU 126/5-5 R1,R2, VU 156/5-5 R1,R2, VU 186/5-5 R1,R2, VU 246/5-5 R1,R2, VU 306/5-5 R1,R2, VU 376/5-5 R1 ecoTEC plus 612, 615, 618, 624, 630, 637 R1,R2

Pos.	Art.-No	Part	Type, note
		0212061	
01	0020135165	Printed circuit board	with part 22
02	0020135159	Wiring harness	VU 126/5-5 R1 (plus 612)
02	0020135159	Wiring harness	VU 126/5-5 R2 (plus 612)
02	0020135159	Wiring harness	VU 156/5-5 R1 (plus 615)
02	0020135159	Wiring harness	VU 156/5-5 R2 (plus 615)
02	0020135159	Wiring harness	VU 186/5-5 R1 (plus 618)
02	0020135159	Wiring harness	VU 186/5-5 R2 (plus 618)
02	0020135159	Wiring harness	VU 246/5-5 R1 (plus 624)
02	0020135159	Wiring harness	VU 246/5-5 R2 (plus 624)
02	0020135159	Wiring harness	VU 306/5-5 R1 (plus 630)
02	0020135159	Wiring harness	VU 306/5-5 R2 (plus 630)
02	0020135160	Wiring harness	VU 376/5-5 R1 (plus 637)
02	0020135160	Wiring harness	VU 376/5-5 R2 (plus 637)
03	0020135154	Wiring harness	VU 126/5-5 R1 (plus 612)
03	0020135154	Wiring harness	VU 126/5-5 R2 (plus 612)
03	0020135154	Wiring harness	VU 156/5-5 R1 (plus 615)
03	0020135154	Wiring harness	VU 156/5-5 R2 (plus 615)
03	0020135154	Wiring harness	VU 186/5-5 R1 (plus 618)
03	0020135154	Wiring harness	VU 186/5-5 R2 (plus 618)
03	0020135154	Wiring harness	VU 246/5-5 R1 (plus 624)
03	0020135154	Wiring harness	VU 246/5-5 R2 (plus 624)
03	0020135156	Wiring harness	VU 306/5-5 R1 (plus 630)
03	0020135156	Wiring harness	VU 306/5-5 R2 (plus 630)
03	0020135156	Wiring harness	VU 376/5-5 R1 (plus 637)
03	0020135156	Wiring harness	VU 376/5-5 R2 (plus 637)
04	-	-	not for these appliances
05	0020136635	Casing back (incl. fuse T2H)	with part 06
06	0020067507	Fuse 2,0 A T2H (PK10)	
07	0020136631	Casing front (plus)	with parts 10,11,12,13
08	0020136628	Display (Plus)	
09	0020136630	Cable display	
10	-	-	not available separately, see pos. 07
11	0020136640	Cover diagnostic connector	
12	0020136633	Cover control (plus)	
13	0020136642	Button power switch (plus)	
14	0020136643	Screw (PK10)	
15	0020144613	Support (extension)	only for VU 306,376, with part 14
16	0020144611	Support, control box (PK2)	with part 14
17	193583	Support (PK2)	VU 126/5-5 R1 (plus 612)
17	193583	Support (PK2)	VU 126/5-5 R2 (plus 612)
17	193583	Support (PK2)	VU 156/5-5 R1 (plus 615)
17	193583	Support (PK2)	VU 156/5-5 R2 (plus 615)
17	193583	Support (PK2)	VU 186/5-5 R1 (plus 618)
17	193583	Support (PK2)	VU 186/5-5 R2 (plus 618)
17	193583	Support (PK2)	VU 246/5-5 R1 (plus 624)
17	193583	Support (PK2)	VU 246/5-5 R2 (plus 624)
17	193584	Support (PK2)	VU 306/5-5 R1 (plus 630)
17	193584	Support (PK2)	VU 306/5-5 R2 (plus 630)
17	-	-	VU 376/5-5 R1 (plus 637), not for these appliances
17	-	-	VU 376/5-5 R2 (plus 637), not for these appliances
18	193585	Support (PK2)	only for VU 376
19	-	-	not for GB
20	078533	Cable fixation	
21	139438	Black plastic filler control box	
22	0020136646	Connector ProE (Set)	

Subject to alteration !

Attention: Please take the gross price from the valid price list !

Notes



Vaillant Ltd

Nottingham Road ■ Belper ■ Derbyshire ■ DE56 1JT
Telephone 0845 602 2922 ■ www.vaillant.co.uk ■ info@vaillant.co.uk