

Installation and service instructions for contractors

VIESSMANN

Vitodens 200-W
Type B2HA, 69 to 99 kW
Wall mounted gas condensing boiler
Natural gas and LPG version

For applicability, see the last page




VITODENS 200-W





Safety instructions

Safety instructions

 Please follow these safety instructions closely to prevent accidents and material losses.

Safety instructions explained

 **Danger**
This symbol warns against the risk of injury.

 **Please note**
This symbol warns against the risk of material losses and environmental pollution.

Note

Details identified by the word "Note" contain additional information.

Target group

These instructions are exclusively intended for qualified contractors.

- Work on gas installations must only be carried out by a registered gas fitter.
- Work on electrical equipment must only be carried out by a qualified electrician.
- The system must be commissioned by the system installer or a qualified person authorised by the installer.


Regulations to be observed

- National installation regulations
- Statutory regulations for the prevention of accidents
- Statutory regulations for environmental protection
- Codes of practice of the relevant trade associations
- All current safety regulations as defined by DIN, EN, DVGW, TRGI, TRF, VDE and all locally applicable standards
 - Ⓐ ÖNORM, EN, ÖVGW-TR Gas, ÖVGW-TRF and ÖVE
 - Ⓞ SEV, SUVA, SVGW, SVTI, SWKI, VKF and EKAS guideline 1942: LPG, part 2


Safety instructions for working on the system

Working on the system


- Where gas is used as the fuel, close the main gas shut-off valve and safeguard it against unintentional reopening.
- Isolate the system from the power supply, e.g. by removing the separate fuse or by means of a mains isolator, and check that it is no longer 'live'.
- Safeguard the system against reconnection.

 **Danger**
Hot surfaces can cause burns.


- Before maintenance and service work, switch OFF the appliance and let it cool down.
- Never touch hot surfaces on the boiler, burner, flue system or pipework.

 **Please note**
Electronic assemblies can be damaged by electrostatic discharge.
Prior to commencing work, touch earthed objects such as heating or water pipes to discharge static loads.

Repair work


 **Please note**
Repairing components that fulfil a safety function can compromise the safe operation of the system.
Replace faulty components only with genuine Viessmann spare parts.

Auxiliary components, spare and wearing parts

 **Please note**
Spare and wearing parts that have not been tested together with the system can compromise its function. Installing non-authorised components and making non-approved modifications or conversions can compromise safety and may invalidate our warranty.
For replacements, use only original spare parts supplied or approved by Viessmann.


Safety instructions for operating the system

If you smell gas

 **Danger**
Escaping gas can lead to explosions which may result in serious injury.

- Do not smoke. Prevent naked flames and sparks. Never switch lights or electrical appliances on or off.
- Close the gas shut-off valve.
- Open windows and doors.
- Evacuate any people from the danger zone.
- Notify your gas or electricity supply utility from outside the building.
- Have the power supply to the building shut off from a safe place (outside the building).

If you smell flue gas

 **Danger**
Flue gas can lead to life threatening poisoning.

- Shut down the heating system.
- Ventilate the installation site.
- Close doors to living spaces to prevent flue gases from spreading.

Safety instructions (cont.)**What to do if water escapes from the appliance****Danger**

When water escapes from the appliance there is a risk of electrocution.

Switch off the heating system at the external isolator (e.g. fuse box, domestic power distribution).

Flue systems and combustion air

Ensure that flue systems are clear and cannot be sealed, for instance due to accumulation of condensate or other causes. Ensure an adequate supply of combustion air.

Instruct system users that subsequent modifications to the building characteristics are not permissible (e.g. cable/pipework routing, cladding or partitions).

**Danger**

Leaking or blocked flue systems, or an inadequate supply of combustion air can cause life threatening poisoning from carbon monoxide in the flue gas.

Ensure the flue system is in good working order. Vents for supplying combustion air must be non-closable.

Extractors

Operating appliances that extract air to the outside (cooker hoods, extractors, air conditioning units, etc.) can create negative pressure. If the boiler is operated at the same time, this can lead to reverse flow of the flue gas.

**Danger**

The simultaneous operation of the boiler and appliances that extract air to the outside can result in life threatening poisoning due to reverse flow of the flue gas.

Fit an interlock circuit or take suitable steps to ensure an adequate supply of combustion air.

1. Information	Disposal of packaging	6
	Symbols	6
	Intended use	6
	Product information	7
	■ Vitodens 200-W, type B2HA	7
2. Preparing for installation	8
3. Installation sequence	Mounting the boiler and making connections	10
	■ Fitting the wall mounting bracket	10
	■ Hooking the boiler onto the wall mounting bracket and levelling it	11
	Heating water connection	12
	Flue gas connection	12
	Condensate connection	13
	Gas connection	13
	Opening the control unit enclosure	13
	Electrical connections	15
	■ Circulation pump at plug 20	16
	■ Circulation pump at plug 21	18
	■ External demand via switching contact	18
	■ External demand via 0 – 10 V input	19
	■ External blocking via switching contact	20
	■ Outside temperature sensor 1	20
	■ Power supply for accessories at plug 96 (230 V~)	21
	■ Power supply 40	22
	■ Routing connecting cables	22
	Closing the control unit enclosure and inserting the programming unit .	24
4. Commissioning, inspection, maintenance	Steps - commissioning, inspection and maintenance	25
5. Code 1	Calling up coding level 1	47
	General/group "1"	47
	Boiler/group "2"	49
	DHW/group "3"	50
	Solar/group "4"	50
	Heating circuit 1, heating circuit 2, heating circuit 3/group "5"	51
6. Code 2	Calling up coding level 2	56
	General/group "1"	56
	Boiler/group "2"	62
	DHW/group "3"	63
	Solar/group "4"	64
	Heating circuit 1, heating circuit 2, heating circuit 3/group "5"	67
7. Diagnosis and service scans	Service level	72
	Diagnosis	73
	■ Operating data	73
	■ Brief scan	73
	Checking outputs (relay test)	76
	■ Weather-compensated control unit	76
	■ Constant temperature control unit	76
8. Troubleshooting	Fault display	78
	■ Weather-compensated control unit	78
	■ Constant temperature control unit	78
	Fault codes	79

	Maintenance	87
	■ Checking the outside temperature sensor (weather-compensated control unit)	87
	■ Checking the boiler water temperature sensors, cylinder temperature sensor or flow temperature sensor for the low loss header	88
	■ Checking the flue gas temperature sensor	88
	■ Check the fuse	90
	■ Mixer extension kit	90
	■ Checking the Vitotronic 200-H (accessories)	91
9. Parts lists	Overview of assemblies	93
	Casing assembly	94
	Heat cell assembly	96
	Burner assembly	98
	Hydraulic assembly	100
	Control unit assembly	102
	Miscellaneous assembly	104
10. Function description	Constant temperature control unit	106
	■ Heating mode	106
	■ DHW heating	106
	Weather-compensated control unit	106
	■ Heating mode	107
	■ DHW heating	107
	■ Boosting DHW heating	107
	Internal extensions (accessories)	108
	■ Internal H1 extension	108
	■ Internal H2 extension	109
	External extensions (accessories)	110
	■ AM1 extension	110
	■ EA1 extension	111
	Control functions	112
	■ External operating program changeover	112
	■ External blocking	113
	■ External demand	113
	■ Venting program	114
	■ Screed drying	114
	■ Raising the reduced room temperature	116
	■ Reducing the heat-up time	116
	Assigning heating circuits to the remote control	117
	Electronic combustion control unit	118
11. Connection and wiring diagram	Connection and wiring diagram – internal connections	119
	Connection and wiring diagram – external connections	120
12. Commissioning/service reports	121
13. Specification	122
14. Disposal	Final decommissioning and disposal	123
15. Certificates	Declaration of conformity	124
	■ Manufacturer's declaration	124
	Manufacturer's certificate according to the 1st BImSchV [Germany]	125
16. Keyword index	126

Disposal of packaging










Please dispose of packaging waste in line with statutory regulations.

DE: Use the disposal system organised by Viessmann.







AT: Use the ARA statutory disposal system (Altstoff Recycling Austria AG, licence number 5766).

CH: Packaging waste is disposed of by the HVAC contractor.

Symbols

Symbol	Meaning
	Reference to other document containing further information
	Step in a diagram: The numbers correspond to the order in which the steps are carried out.
	Warning of material losses and environmental pollution
	Live electrical area
	Pay particular attention.
	<ul style="list-style-type: none"> ▪ Component must audibly click into place. or ▪ Acoustic signal
	<ul style="list-style-type: none"> ▪ Fit new component. or ▪ In conjunction with a tool: Clean the surface.
	Dispose of component correctly.
	Dispose of component at a suitable collection point. Do not dispose of component in domestic waste.

The steps in connection with commissioning, inspection and maintenance are found in the "Commissioning, inspection and maintenance" section and identified as follows:

Symbol	Meaning
	Steps required during commissioning
	Not required during commissioning
	Steps required during inspection
	Not required during inspection
	Steps required during maintenance
	Not required during maintenance

Intended use

The appliance is intended solely for installation and operation in sealed unvented heating systems that comply with EN 12828, with due attention paid to the associated installation, service and operating instructions. It is only designed for heating up heating water that is of potable water quality.

Intended use presupposes that a fixed installation in conjunction with permissible, system-specific components has been carried out.

Intended use (cont.)

Commercial or industrial usage for a purpose other than heating the building or DHW shall be deemed inappropriate.

Any usage beyond this must be approved by the manufacturer in each individual case.

Incorrect usage or operation of the appliance (e.g. the appliance being opened by the system user) is prohibited and will result in an exclusion of liability. Incorrect usage also occurs if the components in the heating system are modified from their intended use (e.g. if the flue gas and ventilation air paths are sealed).

Product information**Vitodens 200-W, type B2HA**

Preset for operation with natural gas E and natural gas LL.

For conversion to LPG P (without conversion kit), see "Commissioning, inspection and maintenance".

The Vitodens 200-W may only be delivered to countries listed on the type plate. For deliveries to other countries, approved contractors must arrange individual approval on their own initiative and in accordance with the law of the country in question.

Multi boiler system

For the installation of a multi boiler system, observe the installation instructions for the multi boiler system accessories.

Preparing for installation

Dimensions and connections

- ! Please note**
To prevent appliance damage, connect all pipework free of load and torque stress.

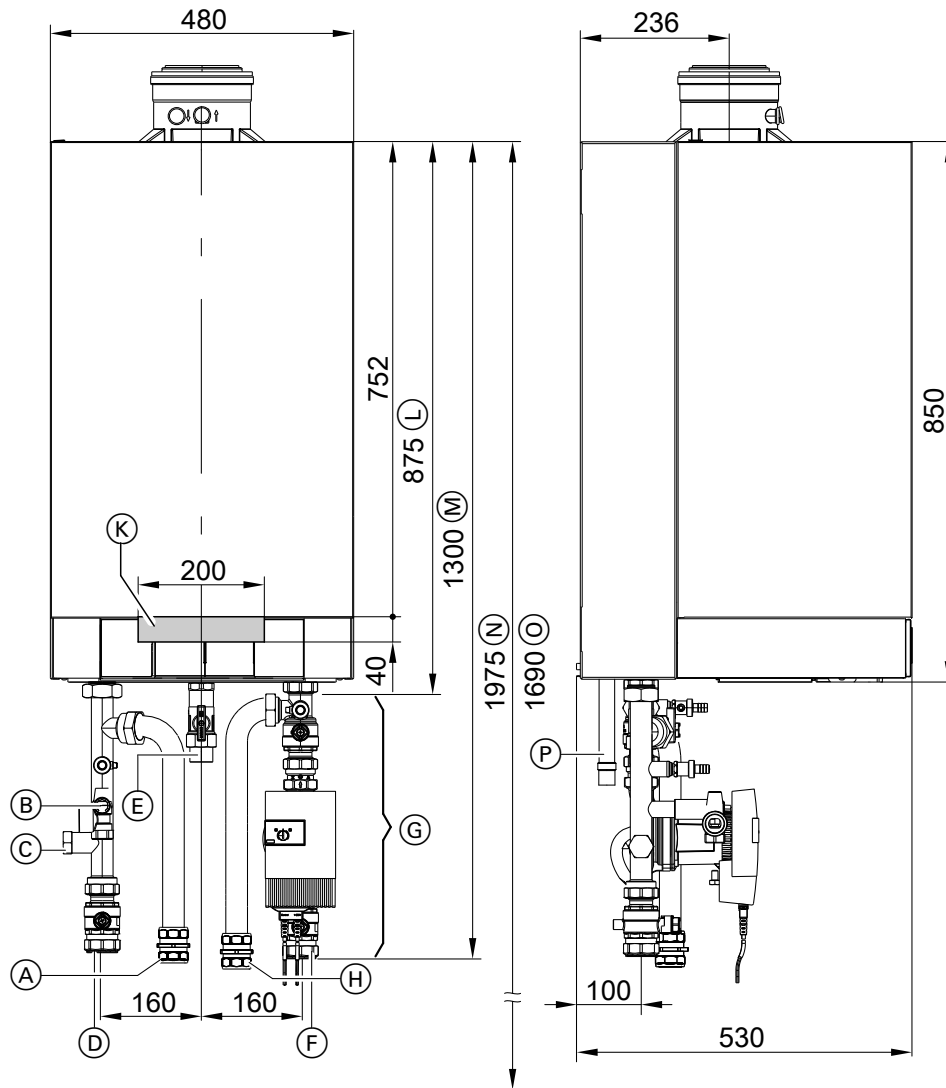


Fig. 1

- | | |
|---|--|
| (A) Cylinder flow G 1½ | (H) Cylinder return G 1½ |
| (B) Safety valve | (K) Cable entry area at the back |
| (C) Expansion vessel connection G 1 | (L) Without connection set (accessories) |
| (D) Boiler flow Ø 42 mm | (M) With connection set (accessories) |
| (E) Gas connection R 1 | (N) Recommended dimension (single boiler system) |
| (F) Boiler return Ø 42 mm | (O) Recommended dimension (multi boiler system) |
| (G) Connection set (accessories, shown without the thermal insulation supplied) | (P) Condensate drain |

Preparing for installation (cont.)**Preparing for boiler installation****Note**

This boiler (IP rating: IP X4) is approved for installation in wet rooms inside safety zone 1 in accordance with DIN VDE 0100, providing the occurrence of hosed water can be ruled out.

Observe DIN VDE 0100.

1. Prepare the water connections. Thoroughly flush the heating system.
2. Prepare the gas connection to TRGI [or local regulations].
3. Prepare the electrical connections.
 - Power cable: Flexible cable 3 x 1.5 mm². Leave the earth conductor (PE) longer than the live conductors L1 and N. Max. fuse rating 16 A, 230 V~.
 - Cables for accessories: Min. 0.75 mm² flexible PVC cable, each with the required number of cores for external connections.
 - Allow all cables in area "Ⓚ" to protrude 1200 mm from the wall.

Mounting the boiler and making connections

Fitting the wall mounting bracket

Note

The enclosed screws and rawl plugs are only suitable for concrete. For other construction materials, use fixing materials that are suitable for 100 kg loads.

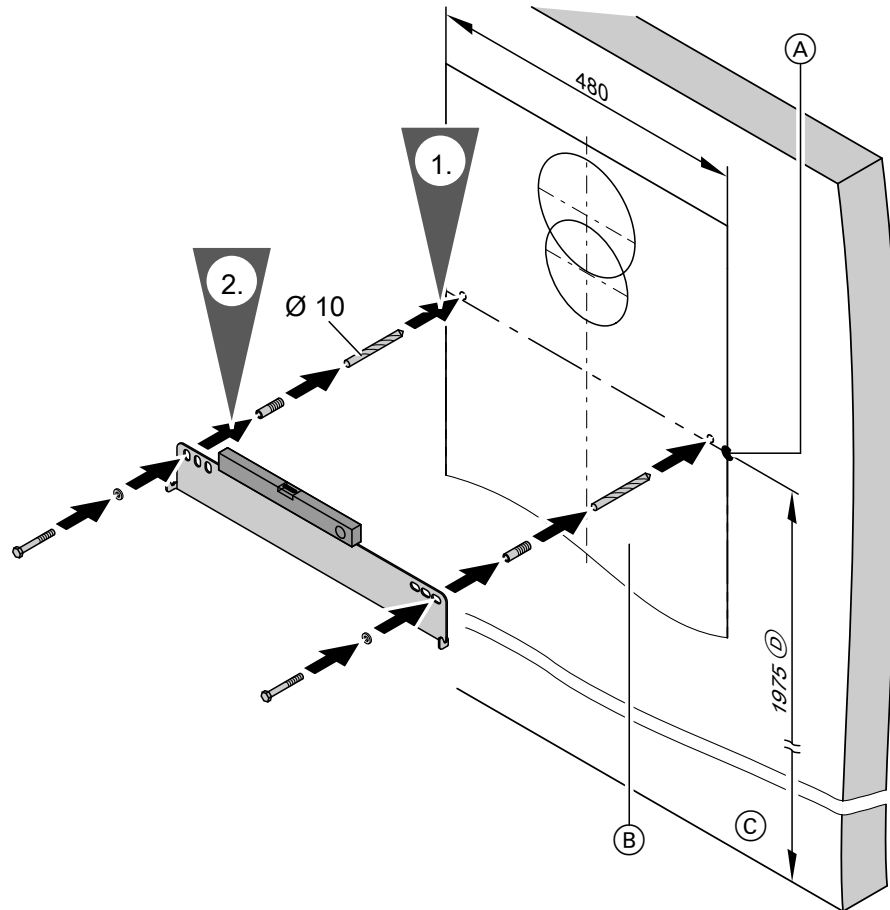


Fig. 2

- Ⓐ Reference point boiler top edge
- Ⓑ Installation template (included with the boiler)
- Ⓒ Top edge finished floor
- Ⓓ Recommendation

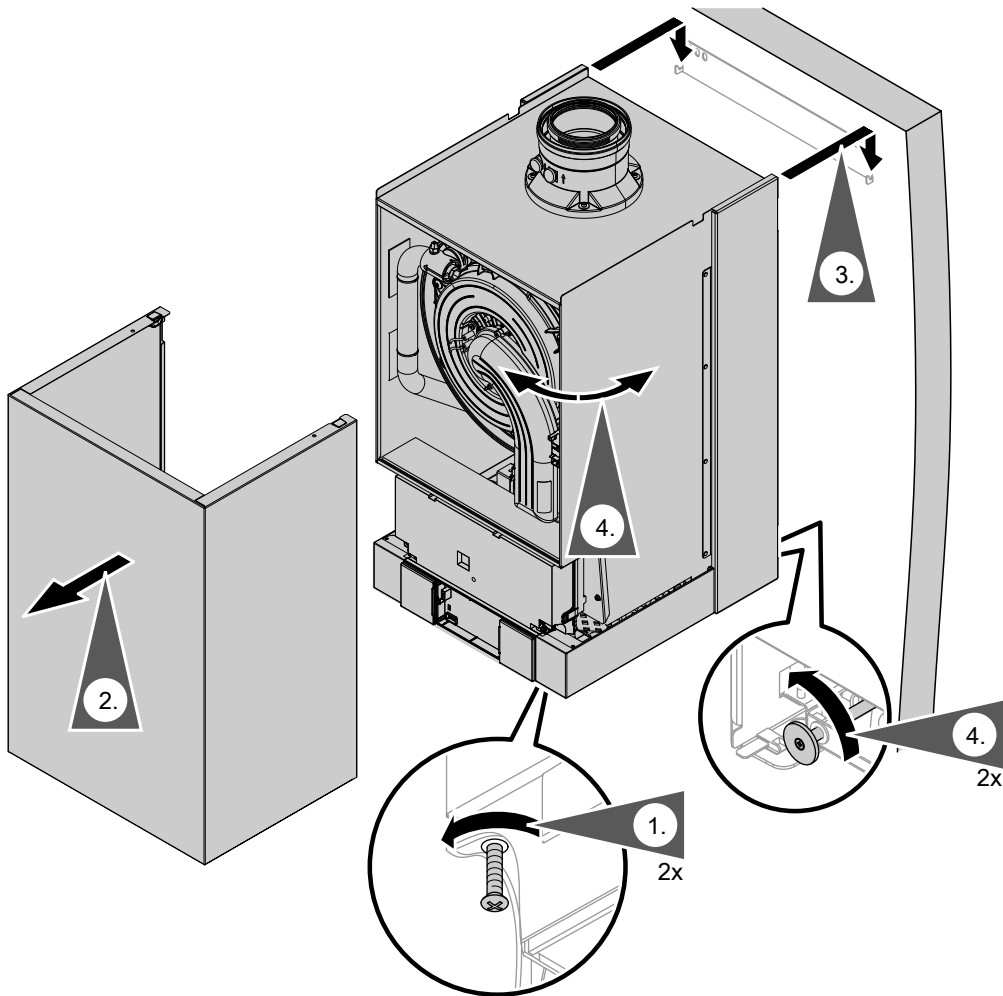
Mounting the boiler and making connections (cont.)**Hooking the boiler onto the wall mounting bracket and levelling it**

Fig. 3

Note on step 4

Align the boiler vertically with a spirit level using the adjusting screws.

Heating water connection

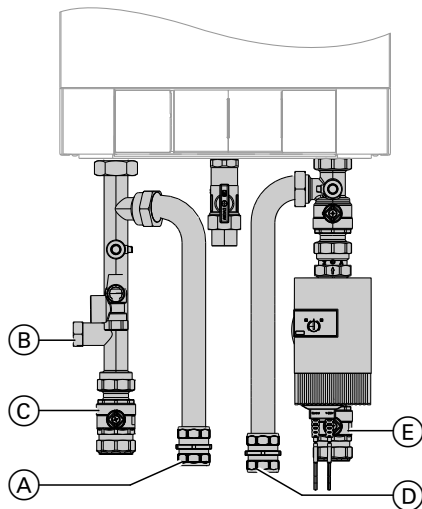


Fig. 4

- (A) Cylinder flow
- (B) Expansion vessel connection
- (C) Boiler flow
- (D) Cylinder return
- (E) Boiler return

Flue gas connection

Note

Only use the "System certificate" and "Skoberne GmbH flue system" labels in conjunction with the Viessmann flue system made by Skoberne.

Do not carry out **commissioning** until the following conditions are met:

- Free passage through the flue gas pipes.
- Flue system with positive pressure is gas-tight.
- Apertures for ensuring sufficient combustion air supply are open and cannot be closed off.
- Applicable regulations on installing and commissioning flue systems have been followed.

Connect the balanced flue pipe.



Flue system installation instructions



Danger

Leaking or blocked flue systems or an insufficient supply of combustion air cause life threatening poisoning due to carbon monoxide in the flue gas.

Ensure the flue system functions correctly. Apertures for combustion air supply must not be able to be closed off.

Condensate connection

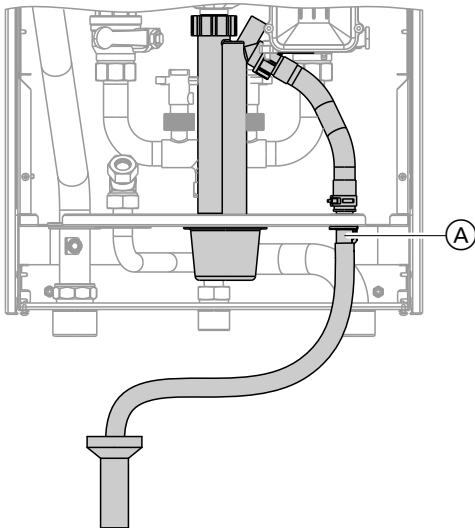


Fig. 5

1. Push the condensate hose onto hose adaptor (A). Ensure the connection to the hose adaptor is secure.
2. Connect the condensate hose with a constant fall and a pipe vent to the public sewage system or to a neutralising system.

Gas connection

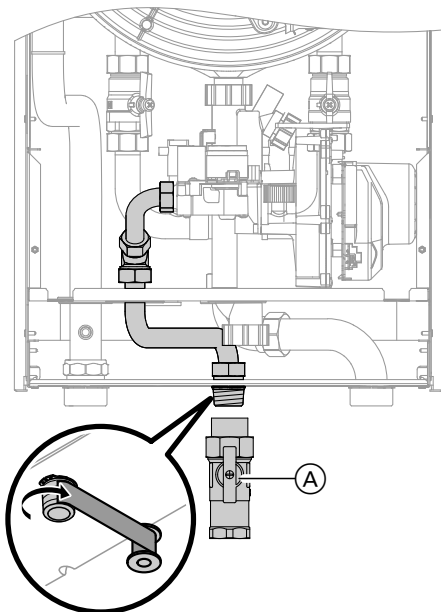


Fig. 6

1. Seal gas shut-off valve (A) to the gas connection.
2. Check the gas connection for leaks.

Note

Only use suitable and approved leak detection agents (EN 14291) and devices for the tightness test. Leak detection agents with unsuitable constituents (e.g. nitrides, sulphides) can cause material damage. Remove leak detection agent residues after testing.



Please note

Excessive test pressure will damage the boiler and the gas train. Max. test pressure 150 mbar (15 kPa). If a higher pressure is required for tightness tests, disconnect the boiler and the gas train from the main supply pipe (undo the fitting).

3. Purge the gas line.



Conversion to alternative gas types:
Service instructions

Information on operation with LPG

When installing the boiler in rooms below ground level we recommend fitting an external safety solenoid valve.

Opening the control unit enclosure



Please note

Electronic assemblies can be damaged by electrostatic discharge. Prior to commencing any work, touch earthed objects such as heating or water pipes to discharge static loads.

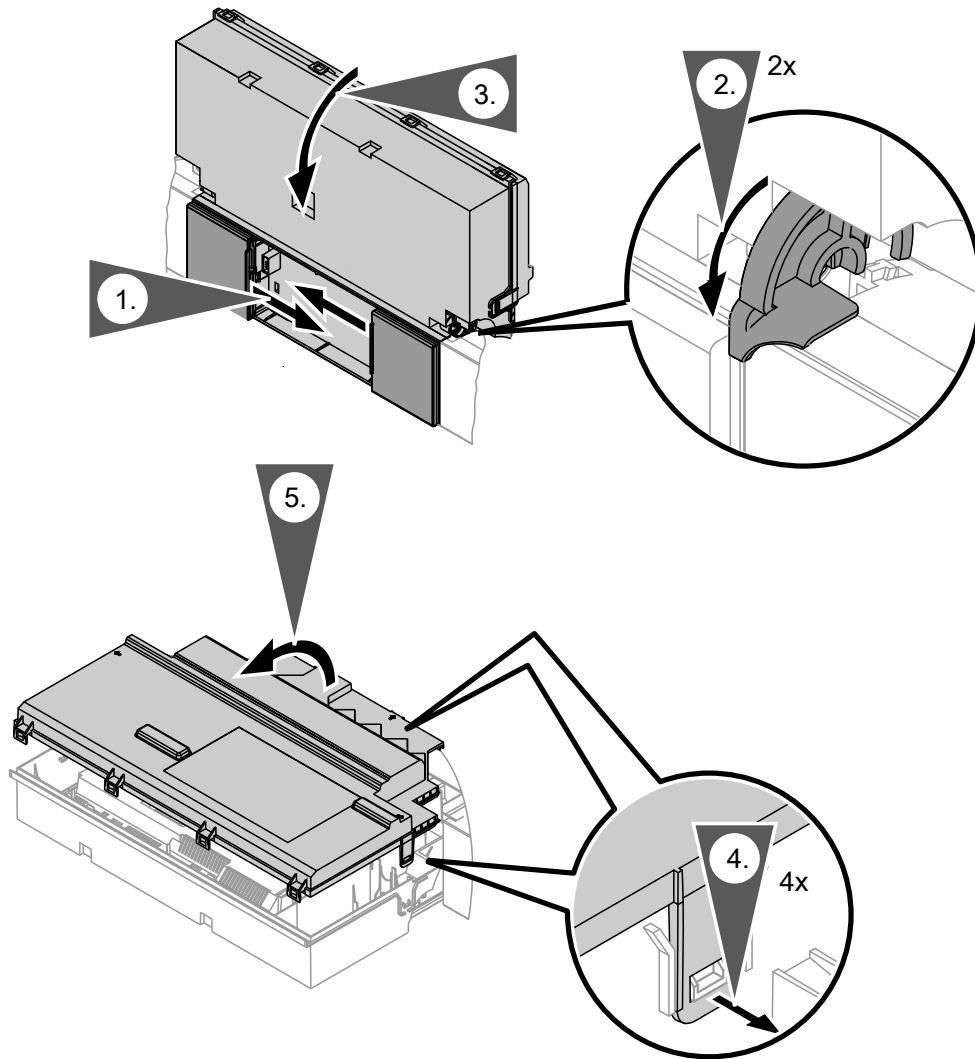


Fig. 7

Electrical connections

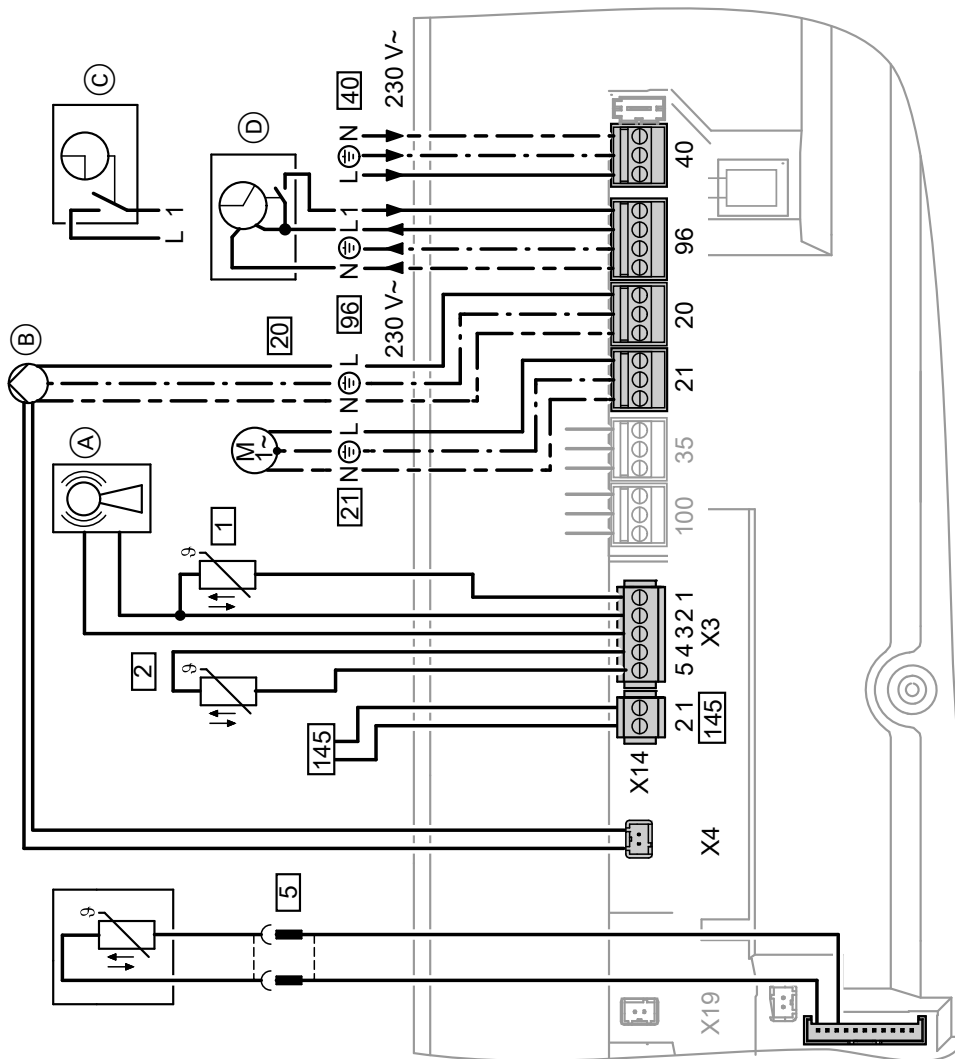


Fig. 8

- (A) Radio clock receiver
- (B) Heating circuit pump or boiler circuit pump
- (C) Vitotrol 100 UTDB (only for constant temperature control units)
When making this connection, remove jumper between "1" and "L".
- (D) Vitotrol 100 UTA (only for constant temperature control units)
or
Vitotrol 100 wireless receiver, type UTDB-RF
When making this connection, remove jumper between "1" and "L".

Connections to 230 V~ plugs

- [20] Boiler circuit pump or heating circuit pump
 - Variable speed with 0 - 10 V connection
- [21] Circulation pump, optional connection:
 - DHW circulation pump
 - External heating circuit pump
 - Circulation pump for cylinder heating

- [40] Power supply
- [96]
 - Power supply for accessories
 - External demand/blocking
 - Vitotrol 100 UTA
 - Vitotrol 100 UTDB
 - Vitotrol 100 UTDB-RF

Connections to LV plugs

- [1] Outside temperature sensor
- [2] Flow temperature sensor for low loss header (accessories)

Installation sequence

Electrical connections (cont.)

- 5 Cylinder temperature sensor (part of the DHW cylinder connection set)
- 145 KM-BUS subscriber (accessories)
 - Vitotrol 200-A or 300-A remote control unit
 - Vitocom 100 GSM
 - Mixer extension kit
 - Solar control module, type SM1
 - Vitosolic
 - AM1 extension
 - EA1 extension
 - Wireless base station



Information on connecting accessories

When connecting accessories observe the separate installation instructions provided with them.

Circulation pump at plug 20

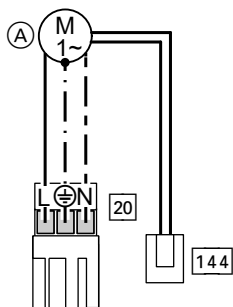


Fig. 9

Insert plug 144 (0 - 10 V connection) at X4.

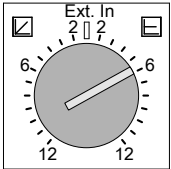



Rated current 2(1) A~
Rated voltage 230 V ~

- (A) High-efficiency circulation pump, speed-controlled via 0 - 10 V control voltage

Adjusting the function of circulation pump

Hydraulic connection/connection requirements	Control unit setting Coding address/group	Circulation pump setting
Single boiler system with: <ul style="list-style-type: none"> ▪ Heating circuit without mixer ▪ Connection without low loss header and without heating water buffer cylinder ▪ Circulation pump VI PARA 25/1-12 	<ul style="list-style-type: none"> ▪ Max. pump speed: E6: ... /heating circuit ▪ Min. pump speed: E7: ... /heating circuit For further details, see the following diagram and chapter "Heating circuit..." under code 2.	Ext. In
Single boiler system with heating circuits connected to low loss header or with heating water buffer cylinder Circulation pump VI PARA 25/1-12	30:0/Boiler/2	 Recommended for $\Delta t = 15\text{ K}$ <ul style="list-style-type: none"> ▪ 69 kW: = 4 \triangleq 3.95 m³/h ▪ 80 kW: = 6 \triangleq 4.59 m³/h ▪ 99 kW: = 10 \triangleq 5.70 m³/h

Electrical connections (cont.)

Hydraulic connection/connection requirements	Control unit setting Coding address/group	Circulation pump setting
Multi boiler system Circulation pump VI PARA 25/1-11	30:0/Boiler/2	 <p>Recommended for $\Delta t = 20\text{ K}$</p> <ul style="list-style-type: none"> ▪ 69 kW:  = 3 $\hat{=}$ 2.96 m³/h ▪ 80 kW:  = 4 $\hat{=}$ 3.43 m³/h ▪ 99 kW:  = 6 $\hat{=}$ 4.25 m³/h
Multi stage circulation pump (on site)	30:0/Boiler/2	

Circulation pump VI PARA 25/1-12

Rated voltage	V~	230
Power consumption	W Max.	310
	Min.	16

Residual head of circulation pump (coding addresses E6 and E7)

When connecting a heating circuit without mixer and without low loss header or heating water buffer cylinder, the circulation pump is controlled as a function of outside temperature. The min. and max. speeds of the circulation pump are limited by the settings for coding addresses E6 and E7. The factory settings are specified by boiler-specific parameters.

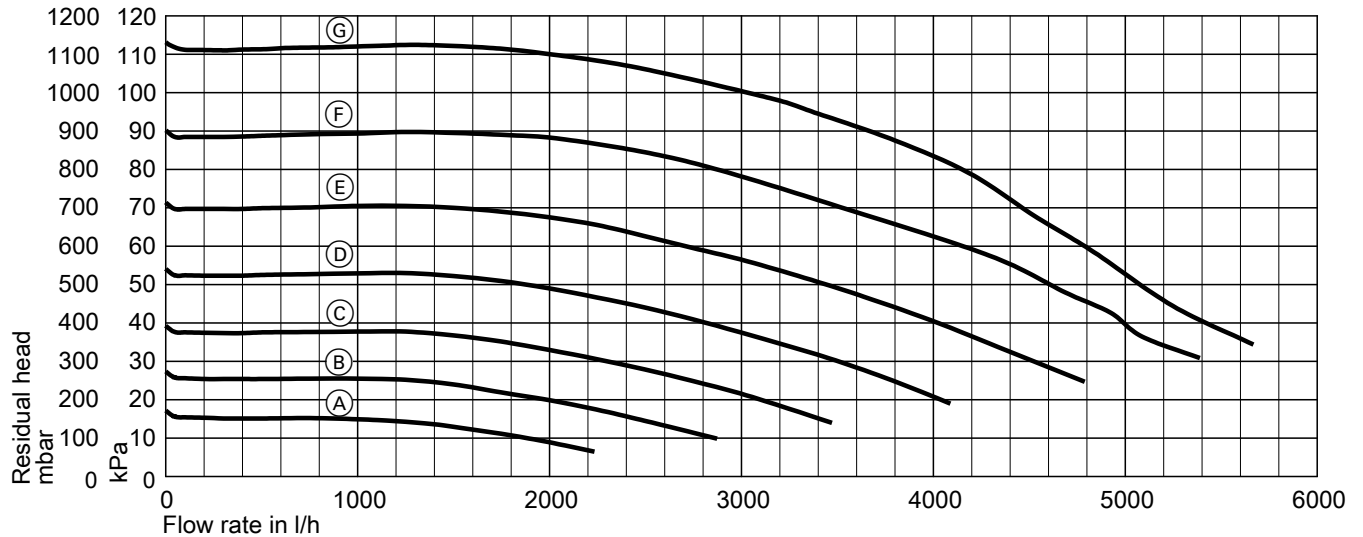


Fig. 10

Electrical connections (cont.)

Setting for coding addresses E6, E7

Curve	Coding address value	Pump rate, circulation pump
(A)	40	40 %
(B)	50	50 %
(C)	60	60 %
(D)	70	70 %
(E)	80	80 %
(F)	90	90 %
(G)	100	100 %

Circulation pump at plug 21

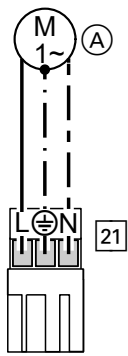


Fig. 11

(A) Circulation pump

Note

Connect DHW circulation pumps with standalone functions directly to the 230 V ~ supply.

Rated current 2(1) A~
 Rated voltage 230 V~

Set function of connected component in coding address "39"

Function	Code
DHW circulation pump	39:0
Heating circuit pump for heating circuit without mixer A1	39:1
Circulation pump for cylinder heating (delivered condition)	39:2

External demand via switching contact

Connection options:

- Extension EA1 (accessory, see separate installation instructions).
- Plug 96.

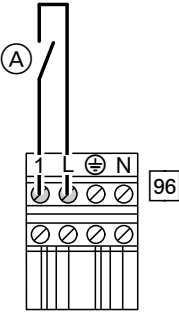
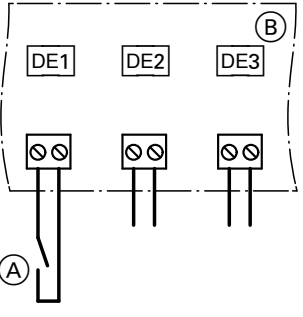
Connection



Please note

'Live' contacts lead to short circuits or phase failure.
 The external connection **must be potential-free**.

Electrical connections (cont.)

Plug 96	EA1 extension
 <p>(A) Floating contact When making this connection, remove jumper between 1 and L.</p>	 <p>(A) Floating contact (B) EA1 extension</p>

Burner operation is load-dependent if the contact is closed. The boiler water is heated to the value set in coding address "9b" in group **"General"/"1"**. The boiler water temperature is limited by this set value and the electronic maximum limit (coding address "06" in group **"Boiler"/"2"**).

Codes

Plug 96	EA1 extension
"4b:1" in group "General"/"1"	Set "3A" (DE1), "3b" (DE2) or "3C" (DE3) in group "General"/"1" to 2.
<ul style="list-style-type: none"> ▪ Select effect of the function on the relevant heating circuit pump in coding address "d7" in group "Heating circuit"/"5". ▪ Select effect of the function on the circulation pump for cylinder heating in coding address "5F" in group "DHW"/"3". 	

External demand via 0 – 10 V input

Connection at 0 – 10 V input at **EA1 extension**.
Ensure DC separation between the earth conductor and the negative pole of the on-site power source.

- 0 – 1 V ≙ No specification for set boiler water temperature
- 1 V ≙ Set value 10 °C
- 10 V ≙ Set value 100 °C

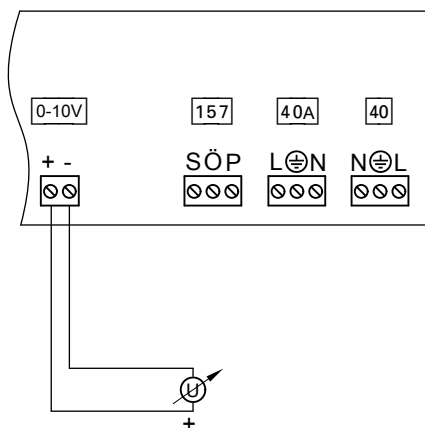


Fig. 12

Installation sequence

Electrical connections (cont.)

External blocking via switching contact

Connection options:

- Plug [96](#).
- Extension EA1 (accessory, see separate installation instructions).

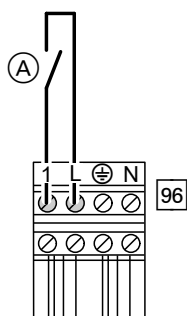


Please note

'Live' contacts lead to short circuits or phase failure.

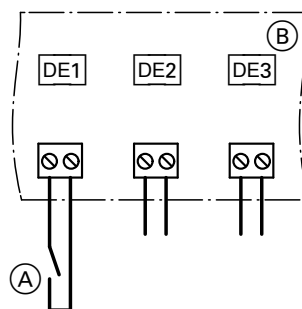
The external connection **must be floating**.

Plug [96](#)



- (A) Floating contact
When making this connection, remove jumper between 1 and L.

Extension EA1



- (A) Floating contact
(B) Extension EA1

The burner is switched off if this contact is closed. The heating circuit pump and circulation pump for cylinder heating are switched according to the set code (see the following table "Codes").

- !
- Please note**
When blocked, there is **no frost protection** for the heating system.

Codes

Plug 96	Extension EA1
"4b:2" in group "General"/"1"	Set "3A" (DE1), "3b" (DE2) or "3C" (DE3) in group "General"/"1" to 3 or 4.
<ul style="list-style-type: none"> ■ Select effect of the function on the heating circuit pump in coding address "d6" in group "Heating circuit"/"5". ■ Select effect of the function on the circulation pump for cylinder heating in coding address "5E" in group "DHW"/"3". 	

Outside temperature sensor [1](#)

Fitting outside temperature sensor RF (wireless accessory):



Wireless base station

- Not immediately below balconies or gutters
- Never render over

Outside temperature sensor connection

2-core lead, length up to 35 m with a cross-section of 1.5 mm²

Fitting location for outside temperature sensor

- North or north-westerly wall, 2 to 2.5 m above ground level; in multi storey buildings, in the top half of the second floor
- Not above windows, doors or vents

Electrical connections (cont.)

Power supply for accessories at plug 96 (230 V~)

- Installation of boiler outside wet rooms: Connect the power supply of accessories to the boiler control unit. This connection is switched directly with the ON/OFF switch of the control unit. If the total system current exceeds 6 A, connect one or more extensions via an ON/OFF switch directly to the mains supply (see next chapter).
- Installation of boiler in a wet room: Do **not** connect the power supply of accessories outside the wet area to the boiler control unit.

Power supply and KM BUS connection of accessories

Power supply to all accessories via heat source control unit

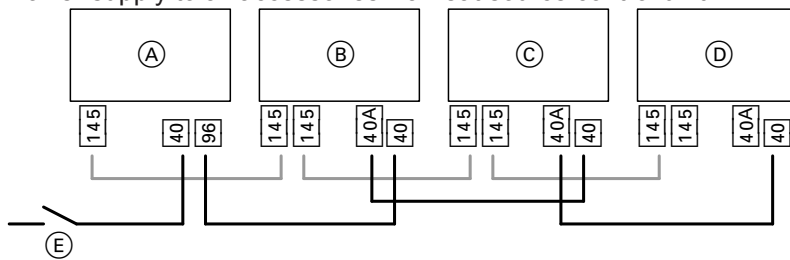


Fig. 13

Some accessories with direct power supply

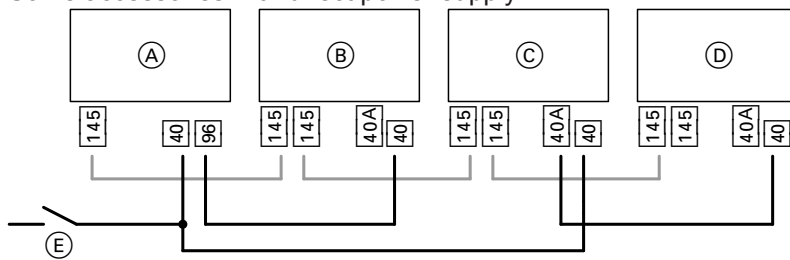


Fig. 14

- (A) Heat source control unit
- (B) Extension kit for heating circuit with mixer M2
- (C) Extension kit for heating circuit with mixer M3
- (D) AM1 extension, EA1 extension and/or solar control module, type SM1
- (E) ON/OFF switch
- 40 Mains input
- 40A Power outlet
- 96 Control unit power outlet
- 145 KM BUS connection

If the current flowing to the connected working parts (e.g. circulation pumps) is higher than the fuse rating of the respective accessory: Only use the output concerned to control an on-site relay.

Accessories	Internal fuse protection
Extension kit for heating circuit with mixer	2 A
AM1 extension	4 A
EA1 extension	2 A
Solar control module, type SM1	2 A

Power supply 40

**Danger**

Incorrectly executed electrical installations can result in injuries from electrical current and in damage to the appliance.

Connect the power supply and implement all safety measures (e.g. RCD circuit) in accordance with the following regulations:

- IEC 60364-4-41
- VDE regulations
- Connection requirements specified by your local power supply utility


- Remove any existing individual cores.

**Danger**

Incorrect core assignment can result in serious injury and damage to the appliance.

Do **not** interchange cores "L1" and "N".

- Install an isolator in the power cable to provide omnipolar separation from the mains for all active conductors, corresponding to overvoltage category III (3 mm) for full isolation. This isolator must be fitted in the permanent electrical installation, in line with the installation requirements.

We additionally recommend installing an AC/DC-sensitive RCD (RCD class B ) for DC (fault) currents that can occur with energy efficient equipment.

- Max. fuse rating 16 A

**Danger**

The absence of component earthing can lead to serious injury from electric current if an electrical fault occurs.

The appliance and pipework must be connected to the equipotential bonding of the building.

Routing connecting cables

**Please note**

If connecting cables come into contact with hot components they will be damaged.

Route and attach the connecting cables on site in such a way that the maximum permissible temperatures of the cables are not exceeded.

Electrical connections (cont.)

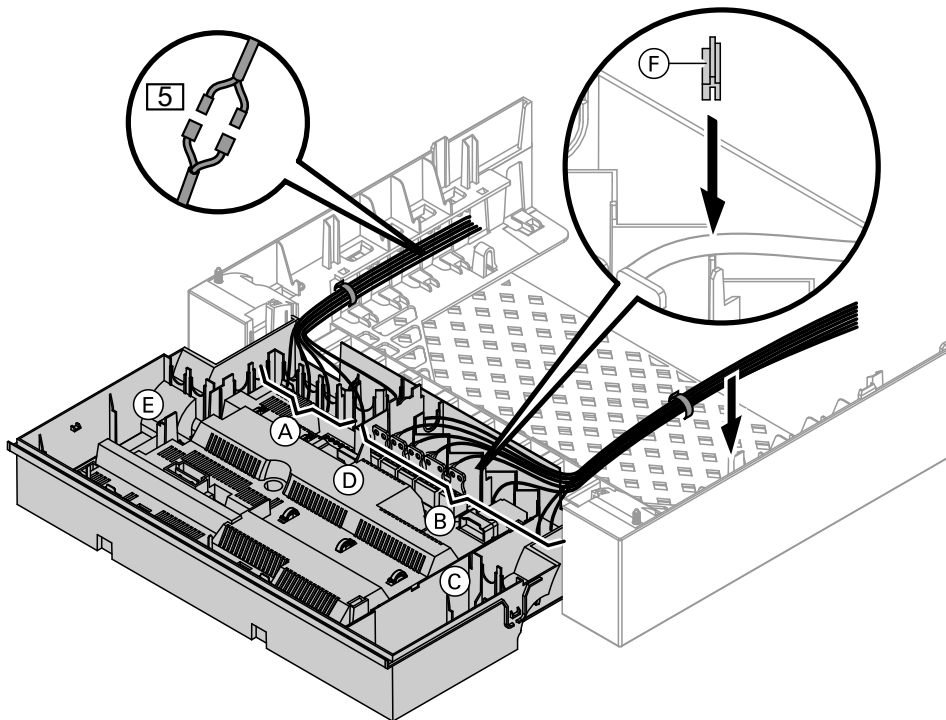


Fig. 15

- | | |
|------------------------|---|
| (A) LV terminals | (E) Communication module |
| (B) 230 V terminals | (F) Cable grommet for power cable |
| (C) Internal extension | (5) Plugs for connecting the cylinder temperature sensor to the cable harness |
| (D) Main PCB | |

Remove the existing cable grommet when using cables with a larger cross-section (up to \varnothing 14 mm). Secure the cable with cable grommet (F) integrated into the casing base (black).

Closing the control unit enclosure and inserting the programming unit

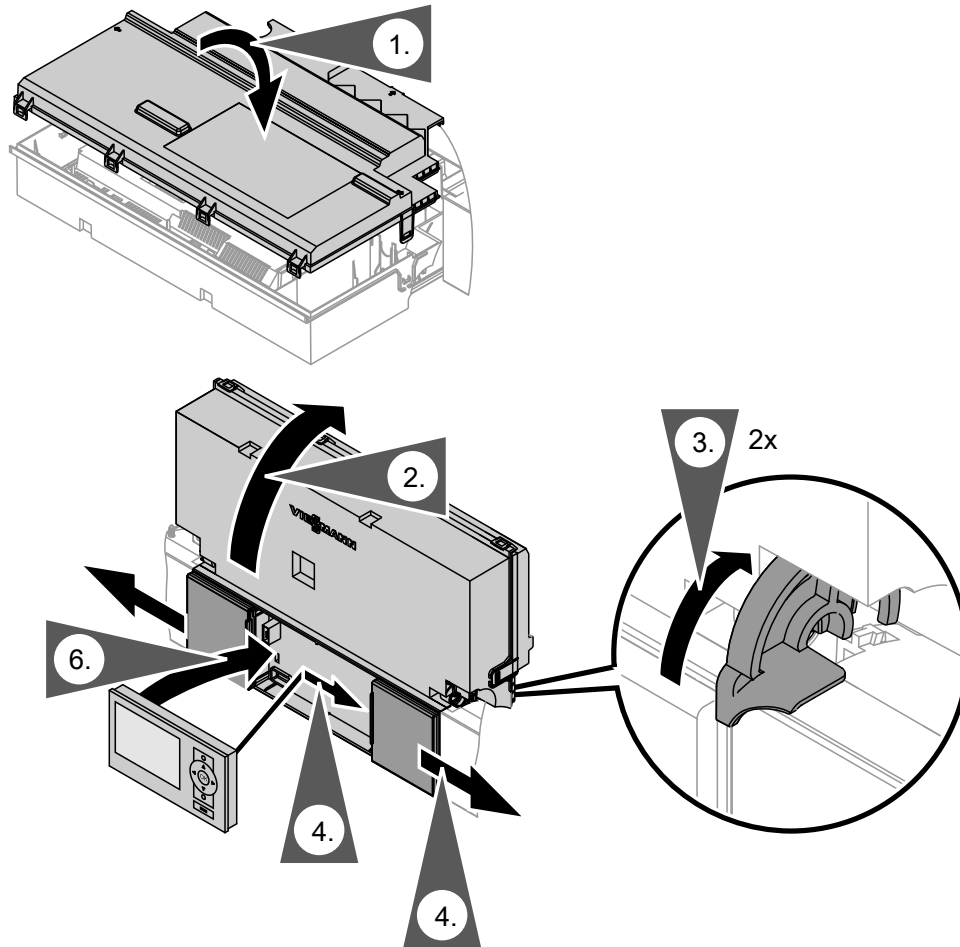



Fig. 16

Insert the programming unit (packed separately) into the control unit support.

Note

The programming unit can also be inserted into a wall mounting base (accessories) near the boiler.

 Wall mounting base installation instructions



Steps - commissioning, inspection and maintenance

			Page
•	•	•	1. Opening the boiler..... 26
•			2. Filling the heating system..... 26
•			3. Venting the boiler by flushing..... 28
•			4. Selecting the language (if required) – only for weather-compensated control units.. 29
•	•		5. Setting the time and date (if required) – only for weather-compensated control units..... 29
•			6. Information on automatic testing of the flue gas temperature sensor..... 30
•			7. Venting the heating system..... 30
•			8. Filling the trap with water..... 30
•	•	•	9. Checking all connections on the heating water and DHW sides for leaks
•			10. Checking the power supply
•			11. Designating heating circuits – only for weather-compensated control units..... 31
•	•		12. Checking the gas type..... 31
•			13. Gas type conversion (only for operation with LPG)..... 32
•	•	•	14. Function sequence and possible faults..... 32
•	•	•	15. Checking the static pressure and supply pressure..... 33
•			16. Setting the max. heating output..... 34
•			17. Checking the balanced flue system for tightness (annular gap check)..... 35
•	•		18. Removing the burner and checking the burner gasket..... 36
•	•		19. Checking the burner gauze assembly and replacing if required..... 37
•	•		20. Checking the back draught safety device..... 38
•	•		21. Checking and adjusting the ignition and ionisation electrodes..... 38
•	•		22. Cleaning the heating surfaces..... 39
•	•		23. Installing the burner..... 39
•	•		24. Checking the condensate drain and cleaning the trap..... 39
•	•		25. Checking the neutralising system (if installed)
•	•		26. Checking the diaphragm expansion vessel and system pressure..... 40
•	•	•	27. Checking the safety valve function
•	•	•	28. Checking the firm seating of electrical connections
•	•	•	29. Checking all gas equipment for tightness at operating pressure 41
•	•	•	30. Checking the combustion quality..... 41
•	•	•	31. Checking the flue system for unrestricted flow and tightness
•			32. Matching the control unit to the heating system 42
•	•	•	33. Checking the external LPG safety valve (if installed)
•			34. Adjusting the heating curves (only for weather-compensated control units)..... 42
•			35. Connecting the control unit to the LON..... 44
•		•	36. Scanning and resetting the "Service" display..... 45
•	•	•	37. Fitting the front panel..... 46
•			38. Instructing the system user..... 46





Opening the boiler

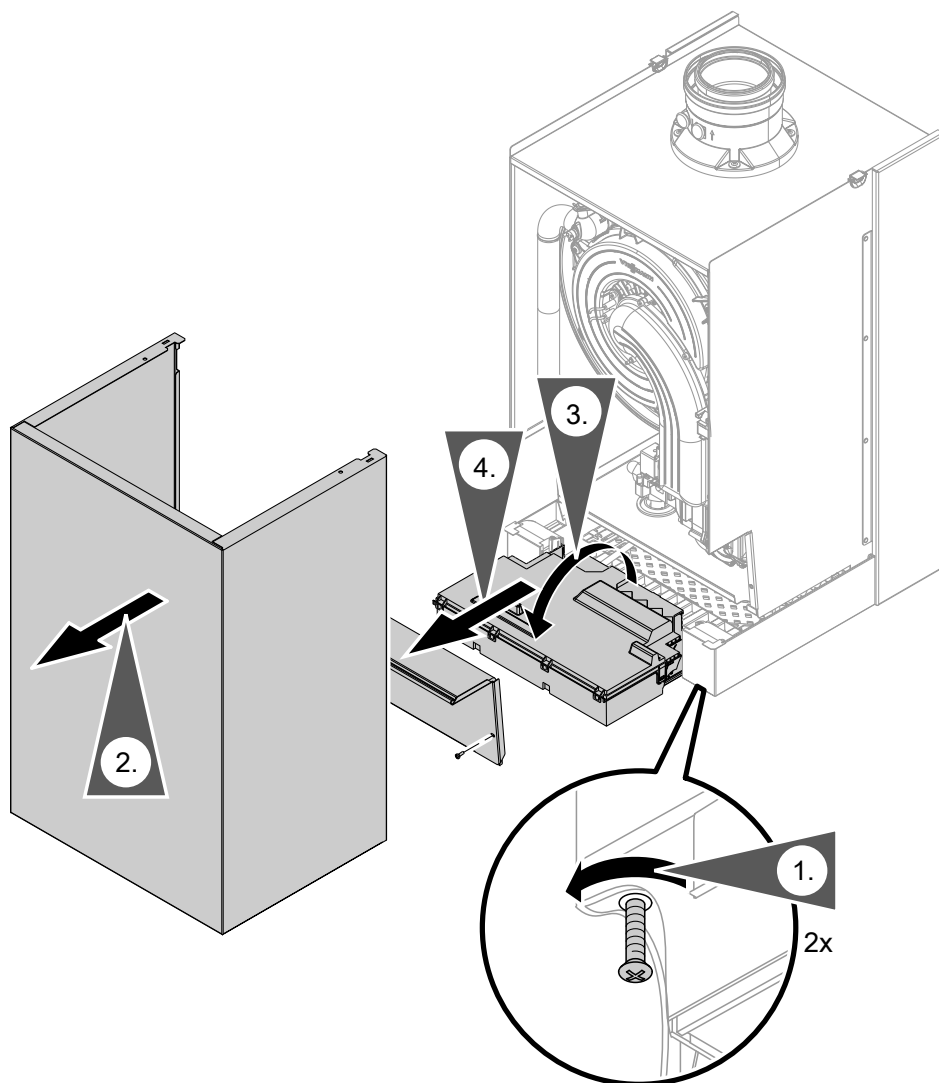


Fig. 17



Filling the heating system

Fill water



Please note

Unsuitable fill water increases the level of deposits and corrosion and may lead to appliance damage.

- Flush the heating system thoroughly before filling.
- Only use fill water of potable water quality.
- Antifreeze suitable for heating systems can be added to the fill water. The antifreeze manufacturer must verify its suitability.
- Fill and top-up water with a water hardness in excess of the following values must be softened, e.g. with a small softening system for heating water.



Filling the heating system (cont.)

Total permissible hardness of the fill and top-up water

Total heating output kW	Specific system volume		
	< 20 l/kW	≥ 20 l/kW to < 50 l/kW	≥ 50 l/kW
≤ 50	≤ 3.0 mol/m ³ (16.8 °dH)	≤ 2.0 mol/m ³ (11.2 °dH)	< 0.02 mol/m ³ (0.11 °dH)
> 50 to ≤ 200	≤ 2.0 mol/m ³ (11.2 °dH)	≤ 1.5 mol/m ³ (8.4 °dH)	< 0.02 mol/m ³ (0.11 °dH)
> 200 to ≤ 600	≤ 1.5 mol/m ³ (8.4 °dH)	≤ 0.02 mol/m ³ (0.11 °dH)	< 0.02 mol/m ³ (0.11 °dH)
> 600	< 0.02 mol/m ³ (0.11 °dH)	< 0.02 mol/m ³ (0.11 °dH)	< 0.02 mol/m ³ (0.11 °dH)

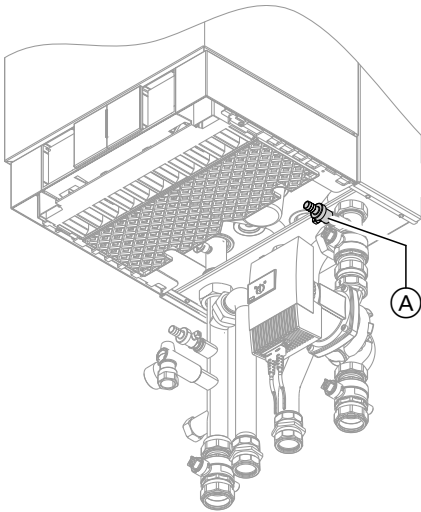


Fig. 18

1. Check the pre-charge pressure of the diaphragm expansion vessel.
2. Close the gas shut-off valve.
3. Filling the heating system:
 - Single boiler system: Valve (A)
 - Multi boiler system: Valve (F) (see page 29)

System pressure > 1.0 bar (0.1 MPa).
4. Close boiler drain & fill valve (A).



Single boiler system

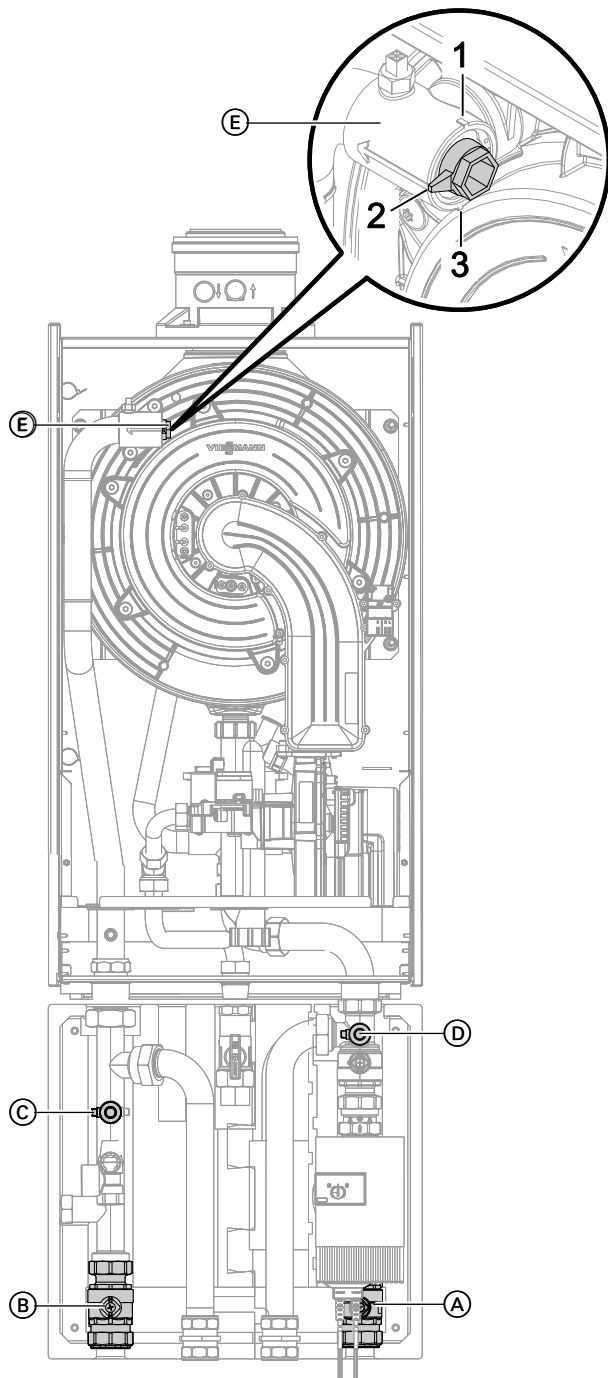


Fig. 19

1. Close shut-off valves (A) and (B).
2. Connect the drain hose to drain valve (C).
Connect the fill hose to boiler drain and fill valve (D)
(if no longer connected).
3. Turn valve (E) to position 1.
4. Open valves (C) and (D).
5. Vent the first coil at mains pressure until no further
sound of escaping air can be heard.
6. Turn valve (E) to position 3
7. Vent the second coil at mains pressure until no fur-
ther sound of escaping air can be heard.
8. Close valves (C) and (D).
9. Turn valve (E) to position 2.

Note

Valve (E) must be in position 2 for the boiler to be
able to start.



Venting the boiler by flushing (cont.)

Multi boiler system

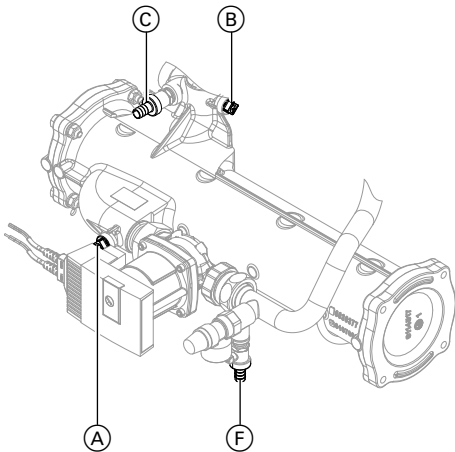


Fig. 20

1. Close shut-off valve (A) on the heating water side.

Note

Shut-off valve (B) remains open.

2. Connect the drain hose to boiler drain & fill valve (C).
3. Open valves (C) and (F). Vent at mains pressure until no further sound of escaping air can be heard.
4. Close valves (C) and (F).
5. Re-open shut-off valve (A) on the heating water side.



Selecting the language (if required) – only for weather-compensated control units

At the commissioning stage, the display is in German (factory setting).

Extended menu:

- 1.
2. "Einstellungen"
3. "Sprache"
4. Select the required language with .

Sprache	
Deutsch	DE <input checked="" type="checkbox"/>
Bulgarski	BG <input type="checkbox"/>
Cesky	CZ <input type="checkbox"/>
Dansk	DK <input type="checkbox"/>
Wählen mit	

Fig. 21



Setting the time and date (if required) – only for weather-compensated control units

The time and date need to be reset during commissioning or after a prolonged time out of use (approx. 18 days).

Extended menu:

- 1.
2. "Settings"
3. "Time / Date"
4. Set current time and date.



Information on automatic testing of the flue gas temperature sensor

Weather-compensated control unit

The control unit automatically checks the function of the flue gas temperature sensor as soon as the time and date have been set.

The display shows: "**Flue gas temp sensor test**" and "**Active**".

Note

If the flue gas temperature sensor is positioned incorrectly, commissioning is cancelled and fault message A3 is displayed (see page 88).

Constant temperature control unit

Immediately after being switched on, the control unit automatically checks the function of the flue gas temperature sensor.

The display shows: "**A**".

Note

If the flue gas temperature sensor is positioned incorrectly, commissioning is cancelled and fault message A3 is displayed (see page 88).



Venting the heating system

1. Close the gas shut-off valve and switch the control unit ON.
2. Activate the venting program (see following steps).
3. Check the system pressure.

Note

For function and sequence of the venting program, see page 114.

Activating the venting function

Weather-compensated control unit

Service menu

1. Press **OK** and **≡** simultaneously for approx. 4 s.
2. "**Service functions**"
3. "**Venting**"
Venting function is enabled.
4. Ending venting function:
Press **OK** or ↶.

Constant temperature control unit

Service menu

1. Press **OK** and **≡** simultaneously for approx. 4 s.
2. Select "**5**" with ▶ and confirm with **OK**.
"**ON**" flashes.
3. Activate the venting function with **OK**.
"**EL on**" is shown constantly.
4. Ending venting function:
Press ↶.



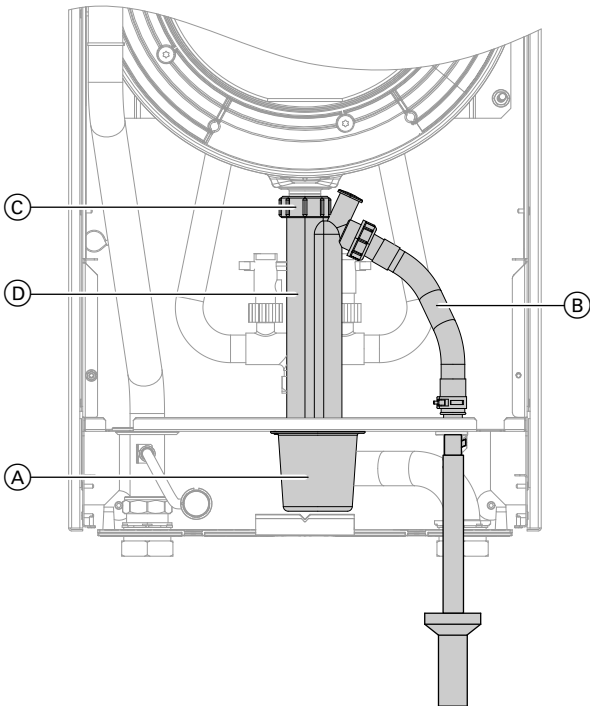
Filling the trap with water

Multi boiler system:

Fill the trap in the flue gas header with water as well.



Filling the trap with water (cont.)



1. Pull off cap (A) downwards.
2. Undo hose (B).
3. Undo union nut (C) and pull off siphon (D) downwards.
4. Fill siphon (D) with water and refit it.
5. Refit hose (B).

Note

Route the drain hose without any bends and with a constant fall.

6. Push on cap (A) from below.

Fig. 22



Checking all connections on the heating water and DHW sides for leaks



Checking the power supply



Designating heating circuits – only for weather-compensated control units

In the delivered condition, heating circuits are designated "Heating circuit 1", "Heating circuit 2" and "Heating circuit 3" (if installed).

If the system user prefers, heating circuits can be re-designated to suit the specific system.

Entering names for heating circuits:



Operating instructions



Checking the gas type

The boiler is equipped with an electronic combustion controller that adjusts the burner for optimum combustion in accordance with the prevailing gas quality.

- For operation with natural gas, no adjustment is therefore required across the entire Wobbe index range.

The boiler can be operated in the Wobbe index range 9.5 to 15.2 kWh/m³ (34.2 to 54.7 MJ/m³).

- For operation with LPG, the burner must be converted (see "Gas type conversion" on page 32).

1. Determine the gas type and Wobbe index by asking your local gas supply utility or LPG supplier.
2. For operation with LPG, convert the burner (see page 32).
3. Record the gas type in the report on page 121.





Gas type conversion (only for operation with LPG)

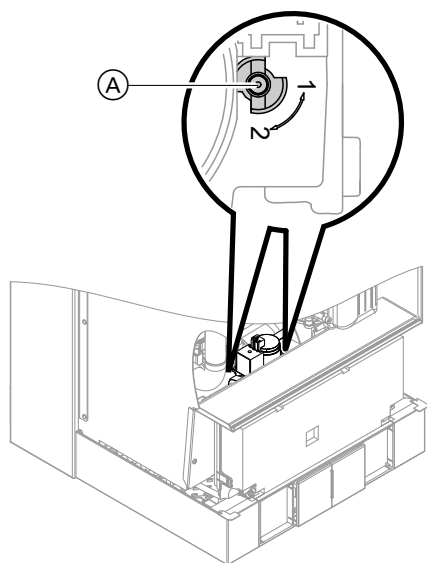
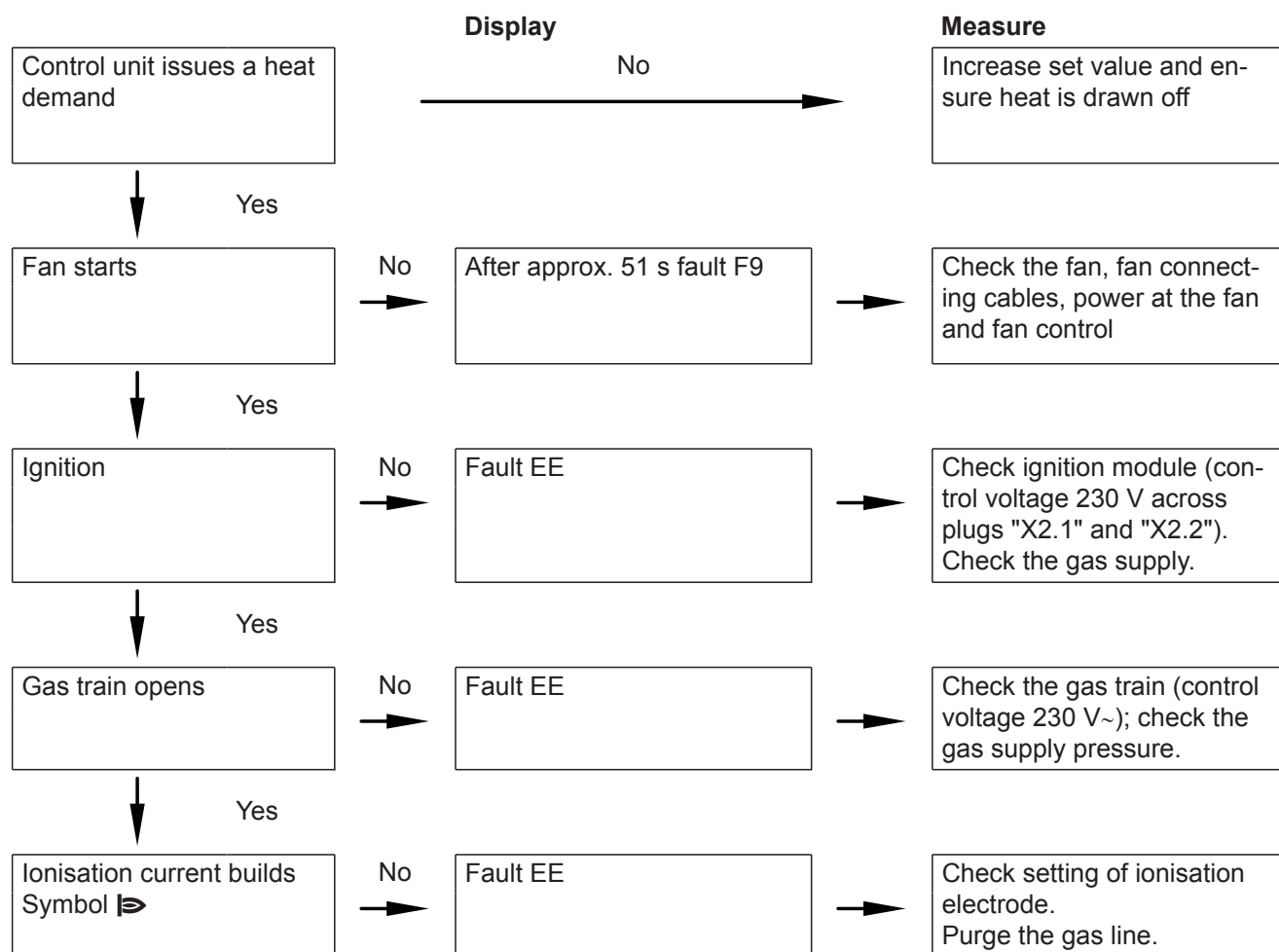




Fig. 23

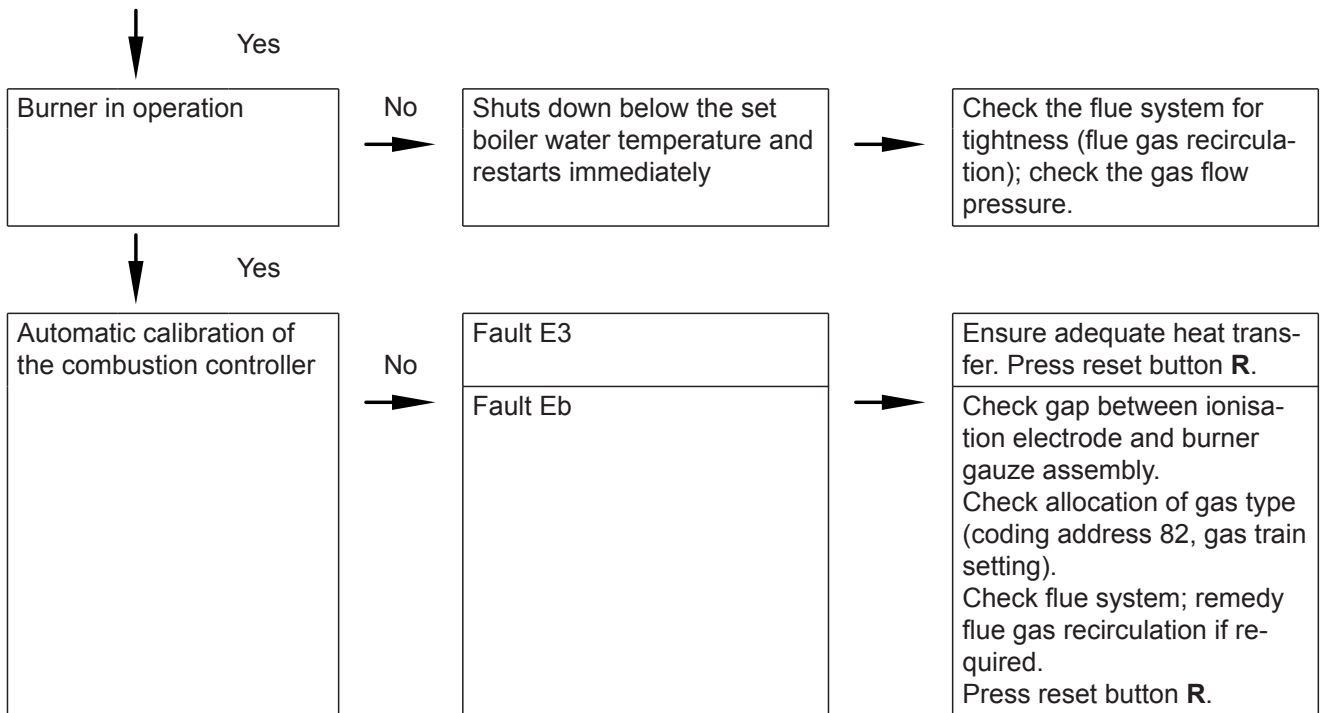
1. Set adjusting screw (A) on **both** gas trains to "2".
2. Turn on ON/OFF switch "Ⓢ".
3. Select the gas type in coding address "82":
 - Calling up code 2
 - Call up **"General"** (weather-compensated control unit) or Group **"1"** (constant temperature control unit)
 - In coding address "11", select value "9"
 - In coding address "82", select value "1" (LPG operation)
 - In code "11", select value ≠ "9".
 - End service functions.
4. Open the gas shut-off valve.
5. Affix label "G 31" in a clearly visible position near the gas train on the cover panel.
The label is supplied with the technical documentation.



Function sequence and possible faults




   **Function sequence and possible faults** (cont.)



For further details regarding faults, see page 78.

   **Checking the static pressure and supply pressure**

 **Danger**
CO formation as a result of incorrect burner adjustment can have serious health implications. Check the CO content before and after carrying out work on gas appliances.

Operation with LPG

Purge the LPG tank twice on commissioning or replacement. Vent the tank and gas connection line thoroughly after purging.

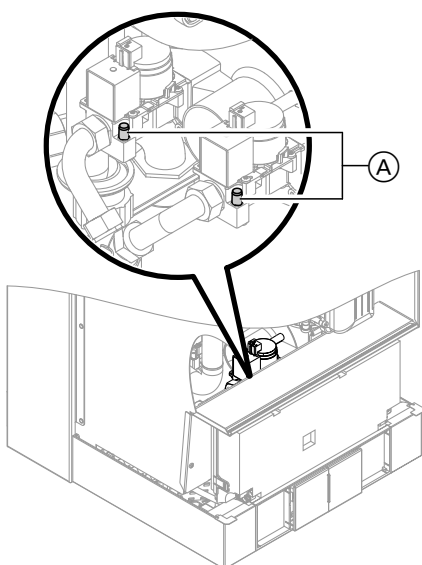


Fig. 24

1. Close the gas shut-off valve.
2. Release screw **A** inside test connector "PE" on one of the two gas trains, but do not remove it. Connect the pressure gauge.
3. Open the gas shut-off valve.
4. Check the static pressure and record the actual value in the report on page 121.
Set value: max. 57.5 mbar (5.75 kPa).
5. Start the boiler.

Note

*During commissioning, the appliance can enter a fault state because of airlocks in the gas line. After approx. 5 s, press **R** to reset the burner.*




Checking the static pressure and supply pressure (cont.)

6. Check the supply (flow) pressure. Set values:
 - Natural gas 20 mbar (2 kPa)
 - LPG 50 mbar (5 kPa)

Note

Use a suitable measuring device with a resolution of at least 0.1 mbar (0.01 kPa) to check the supply pressure.

7. Record the actual value in the report. Implement measures as indicated in the table below.
8. Shut down the boiler. Close the gas shut-off valve and remove the pressure gauge. Close test connector (A) with the screw.
9.  **Danger**
Gas escaping from the test connector leads to a risk of explosion. Check for gas tightness.

Open the gas shut-off valve. Start the boiler and check for gas tightness at test connector (A).

Supply (flow) pressure for natural gas	Supply (flow) pressure for LPG	Steps
Below 17 mbar (1.7 kPa)	Below 42.5 mbar (4.25 kPa)	Do not commission the boiler. Notify your gas supply utility or LPG supplier.
17 to 25 mbar (1.7 to 2.5 kPa)	42.5 to 57.5 mbar (4.25 to 5.75 kPa)	Start the boiler.
Above 25 mbar (2.5 kPa)	Above 57.5 mbar (5.75 kPa)	Connect a separate gas pressure governor upstream of the system and regulate the pre-charge pressure to 20 mbar (2 kPa) for natural gas or 50 mbar (5 kPa) for LPG. Notify your gas supply utility or LPG supplier.



Setting the max. heating output

A limit can be set on the maximum heating output for **heating operation**. The limit is set via the modulation range. The upper limit of the max. adjustable heating output is set by the coding card.



Setting the max. heating output (cont.)

Weather-compensated control unit

Service menu

1. Press **OK** and **≡** simultaneously for approx. 4 s.
2. **"Service functions"**
3. **"Max. output"**
4. **"Change?"** Select **"Yes"**.
A value is shown on the display (e.g. **"85"**). In the delivered condition, this value represents 100 % of rated heating output.
5. Set the required value.

Constant temperature control unit

Service menu

1. Press **OK** and **≡** simultaneously for approx. 4 s.
2. Select **"③"** with **▶** and confirm with **OK**.
The display shows **"FL"** and **"ON"** flashes.
3. Confirm with **OK** and ensure the flow rate is sufficient.
Whilst the flow rate is being measured, **"FL"** flashes on the display and **"ON"** is shown.
4. When the required flow rate is reached, the set heating output (e.g. **"85"**) flashes on the display and **"▶"** is shown. In the delivered condition, this value represents 100 % of rated heating output.
5. Select required value and confirm with **OK**.



Checking the balanced flue system for tightness (annular gap check)

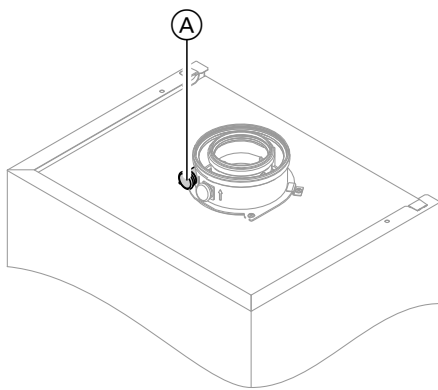


Fig. 25

Ⓐ Combustion air aperture

For balanced flue systems tested together with the heat source, there is no requirement for a tightness test (overpressure test) during commissioning by the flue gas inspector.

In this case, we recommend that your heating contractor carries out a simple tightness test during the commissioning of your system. For this it would be sufficient to check the CO₂ or O₂ concentration in the combustion air at the annular gap of the balanced flue pipe.

If the CO₂ concentration is less than 0.2 % or the O₂ concentration is greater than 20.6 %, the flue pipe is deemed to be sufficiently gas tight.

If actual CO₂ values are higher or actual O₂ values are lower, a pressure test with a static pressure of 200 Pa will need to be carried out on the flue pipe.





Removing the burner and checking the burner gasket

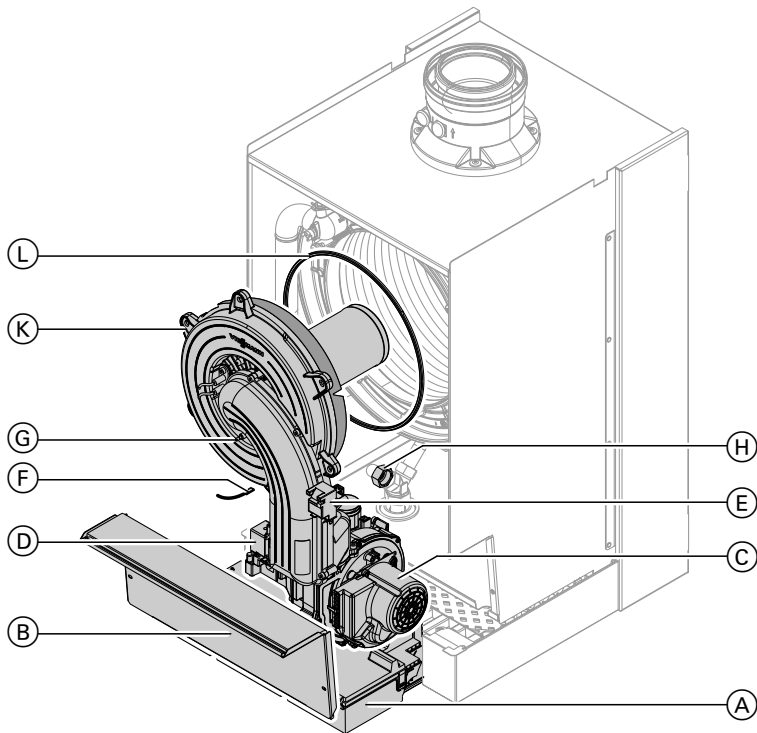


Fig. 26

1. Turn off the ON/OFF switch on the control unit and the power supply.
2. Close the gas shut-off valve and safeguard against reopening.
3. Unlock control unit (A) and pivot forwards.
4. Remove cover panel (B).
5. Disconnect the cables from the following components:
 - Fan motor (C)
 - Gas train (D)
 - Ignition unit (E)
 - Earth tab (F)
 - Ionisation electrode (G)
6. Undo gas supply pipe fittings (H).
7. Undo 6 screws (K) and remove the burner.

! **Please note**
To prevent damage, never touch the mesh of the burner gauze assembly.
8. Check burner gasket (L) for damage. Replace gasket if required.



Checking the burner gauze assembly and replacing if required

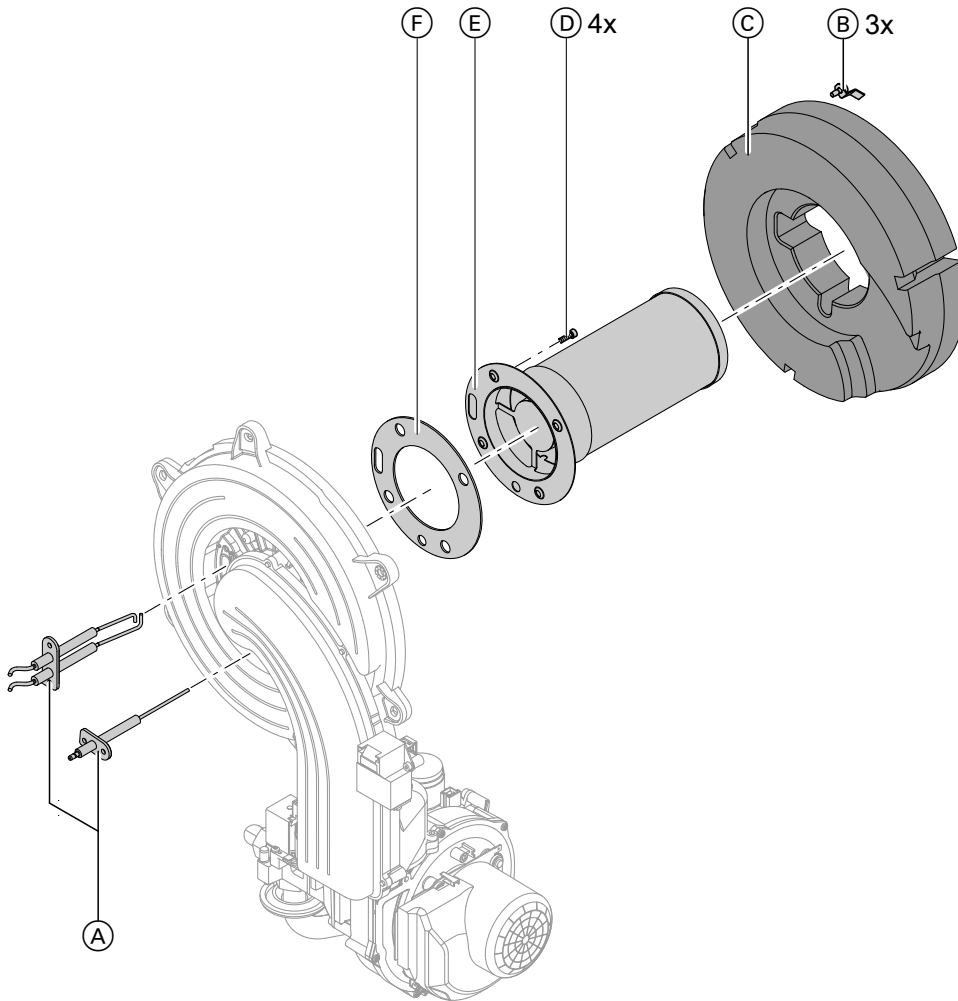


Fig. 27

1. Remove electrodes (A).
2. Undo 3 retaining clips (B) on thermal insulation ring (C) and remove thermal insulation ring (C).
3. Undo 4 Torx screws (D) and remove burner gauze assembly (E).
4. Remove old burner gauze assembly gasket (F).
5. Insert a new burner gauze assembly with a new gasket and secure with 4 Torx screws.
6. Refit thermal insulation ring (C) and electrodes (A).

Note

Torque: 4.5 Nm



Checking the back draught safety device

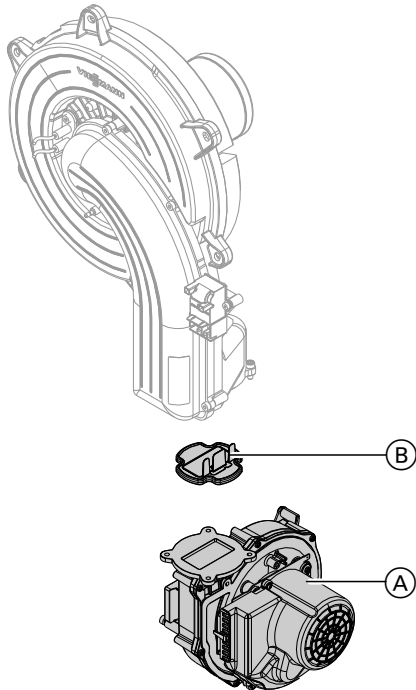


Fig. 28

1. Undo 3 screws and remove fan (A).
2. Remove back draught safety device (B).
3. Check the damper and gasket for dirt and damage. Replace if required.
4. Refit back draught safety device (B).
5. Refit fan (A) and secure with 3 screws. Torque: 3.0 Nm



Checking and adjusting the ignition and ionisation electrodes

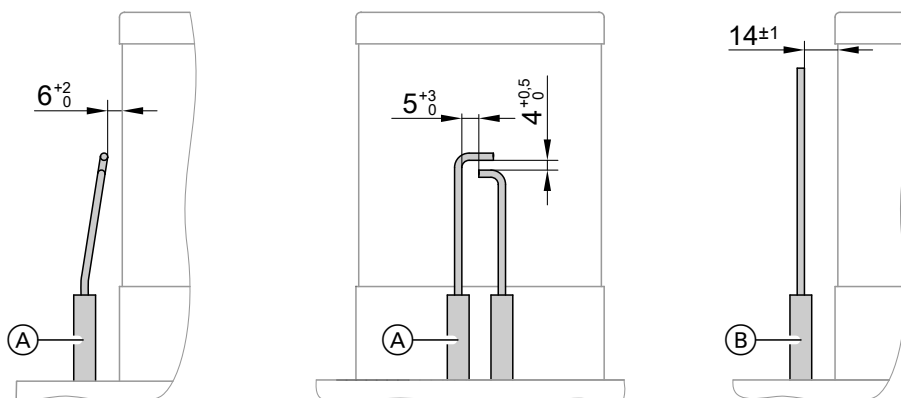


Fig. 29

- (A) Ignition electrodes
- (B) Ionisation electrode

1. Check the electrodes for wear and contamination.
2. Clean the electrodes with a small brush (not a wire brush) or sandpaper.
3. Check the electrode gaps. If the gaps are not as specified or the electrodes are damaged, replace the electrodes and gaskets and align. Tighten the screws of the electrodes. Torque: 2.0 Nm



Please note
Wire mesh:
Do not damage.



Cleaning the heating surfaces

! **Please note**
Scratches to the surfaces of the heat exchanger that come into contact with hot gas can result in corrosion damage.
Never use brushes to clean the heat exchanger.

! **Please note**
Brushing can cause deposits to become lodged in the gaps between the coils.
Never use brushes to clean the heat exchanger.

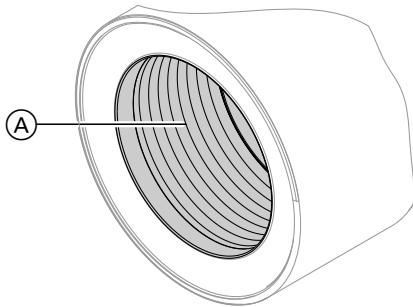


Fig. 30

Note
*Discolouration on the heat exchanger surface is a normal sign of use. It has no bearing on the function and service life of the heat exchanger.
The use of chemical cleaning agents is not required.*

1. Use a vacuum cleaner to remove combustion residues from heating surface (A) of the heat exchanger.
2. Flush heating surface (A) with water.
3. Check condensate drain and clean trap. See the following chapter.
4. Flush the heating surface again with water. This will also fill the trap with water.



Installing the burner

1. Insert the burner and tighten the screws diagonally.
Torque: 8.5 Nm
2. Install the gas supply pipe with a new gasket and tighten the fitting. Torque: 15 Nm

3. Check the gas connections for tightness.



Danger

Escaping gas leads to a risk of explosion.
Check the fitting for gas tightness.

4. Connect the cables to the corresponding components.



Checking the condensate drain and cleaning the trap

Multi boiler system:
Clean the trap in the flue gas header as well.

Note
If condensate escapes at vent aperture (A) or (B), clean or (if necessary) replace the onward drain line.



Checking the condensate drain and cleaning the... (cont.)

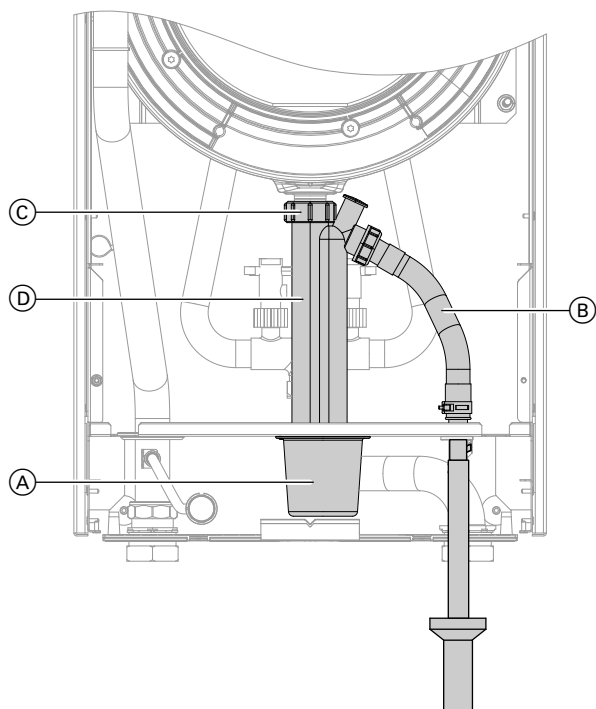


Fig. 31

1. Pull off cap (A) downwards.
 2. Undo hose (B).
 3. Undo union nut (C) and pull off siphon (D) downwards.
 4. Clean trap (D).
 5. Check that the condensate can drain freely to the public sewage system.
 6. Fill siphon (D) with water and refit it.
 7. Refit hose (B).
- Note**
Route the drain hose without any bends and with a constant fall.
8. Push on cap (A) from below.



Checking the neutralising system (if installed)



Checking the diaphragm expansion vessel and system pressure

Note

Check the diaphragm expansion vessel when the system is cold.

1. Drain the system or close the cap valve on the diaphragm expansion vessel and reduce the pressure until the pressure gauge indicates "0".
2. If the diaphragm expansion vessel pre-charge pressure is lower than the static system pressure: Top up with nitrogen until the pre-charge pressure is 0.1 to 0.2 bar (10 to 20 kPa) higher than the static pressure.
3. Top up with water until the charge pressure of the cooled system is 0.1 to 0.2 bar (10 to 20 kPa) higher than the pre-charge pressure of the diaphragm expansion vessel.
Permiss. operating pressure: 4 bar (0.4 MPa)



Checking the safety valve function



Checking the firm seating of electrical connections



Checking all gas equipment for tightness at operating pressure



Danger

Escaping gas leads to a risk of explosion.
Check all gas equipment for tightness.

Note

Only use suitable and approved leak detection agents (EN 14291) and devices for the tightness test. Leak detection agents with unsuitable constituents (e.g. nitrides, sulphides) can cause material damage. Remove leak detection agent residues after testing.



Checking the combustion quality

The electronic combustion controller automatically ensures optimum combustion quality. During commissioning/maintenance, only the combustion values need to be checked. For this, measure the CO content and the CO₂ or O₂ content. For a description of the electronic combustion controller functions, see page 118.

Note

To prevent operating faults and damage, operate the appliance with uncontaminated combustion air.

CO content

- The CO content must be < 1000 ppm for all gas types.

CO₂ or O₂ content

- The CO₂ content must be within the following limits for upper and lower heating output respectively:
 - 7.5 to 9.5 % for natural gas E and LL
 - 8.8 to 11.1 % for LPG P
- The O₂ content must be between 4.0 and 7.6 % for all gas types.

If the actual CO₂ or O₂ values lie outside their respective ranges, check the balanced flue system for tightness; see page 35.

Note

During commissioning, the combustion controller carries out an automatic calibration. Only measure the emissions approx. 30 s after the burner has started.

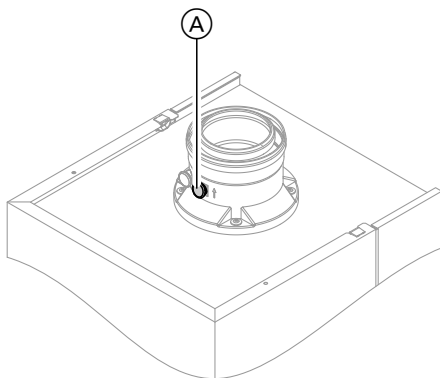


Fig. 32



1. Connect a flue gas analyser at flue gas port (A) on the boiler flue connection.
2. Open the gas shut-off valve, start the boiler and create a heat demand.
3. Set the lower heating output (see page 42).
4. Check the CO₂ content. Should the actual value deviate from the aforementioned ranges by more than 1 %, implement steps detailed on page 41.
5. Enter the actual value into the report.
6. Set the upper heating output (see page 42).
7. Check the CO₂ content. Should the actual value deviate from the aforementioned ranges by more than 1 %, implement steps detailed on page 41.
8. After testing, press **OK**.
9. Enter the actual value into the report.

   **Checking the combustion quality** (cont.)

Select higher/lower heating output






Weather-compensated control unit

Service menu

1. Press **OK** and  simultaneously for approx. 4 s.
2. **"Actuator test"**
3. Select the lower heating output:
Select **"Base load OFF"**. Then **"Base load ON"** appears and the burner operates at its lower heating output.
4. Select the upper heating output:
Select **"Full load OFF"**. Then **"Full load ON"** appears and the burner operates at its upper heating output.
5. Ending output selection:
Press .

Constant temperature control unit

Service menu

1. Press **OK** and  simultaneously for approx. 4 s.
2. Select **"1"** with  and confirm with **OK**.
The display shows **"I"** and **"ON"** flashes.
3. Select the lower heating output:
Press **OK**, **"ON"** will be displayed constantly.
4. Select the upper heating output:
Press .
5. Select **"2"** with ; **"ON"** flashes.
6. Press **OK**, **"ON"** will be displayed constantly.
7. Ending output selection:
Press .

   **Checking the flue system for unrestricted flow and tightness**

   **Matching the control unit to the heating system**

The control unit must be matched to the equipment level of the system. Various system components are recognised automatically by the control unit and the relevant codes are set automatically.

For individual coding steps, see page 47.

   **Checking the external LPG safety valve (if installed)**

   **Adjusting the heating curves (only for weather-compensated control units)**

The heating curves illustrate the relationship between the outside temperature and the boiler water or flow temperature.

To put it simply, the lower the outside temperature, the higher the boiler water or flow temperature.

The boiler water or flow temperature in turn affects the room temperature.

Settings in the delivered condition:

- Slope = 1.4
- Level = 0

Note

If the heating system includes heating circuits with mixers, then the flow temperature of the heating circuit without mixer is higher by a selected differential (8 K in the delivered condition) than the flow temperature of the heating circuits with mixers.

*The differential temperature is adjustable via coding address "9F" in the **"General"** group.*



Adjusting the heating curves (only for... (cont.)

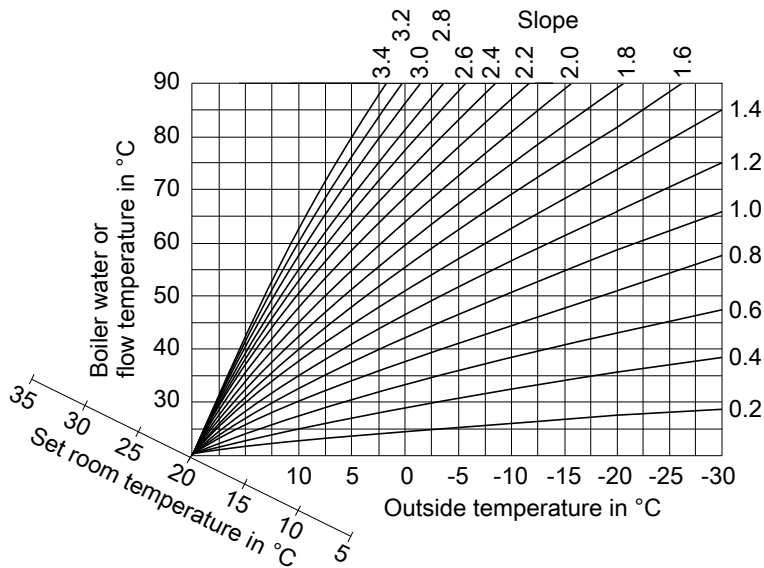


Fig. 33

Slope setting ranges:

- Underfloor heating systems: 0.2 to 0.8
- Low temperature heating systems: 0.8 to 1.6

Selecting the set room temperature

Individually adjustable for each heating circuit. The heating curve is offset along the axis of the set room temperature. With the heating circuit pump logic function enabled, the curve modifies the starting and stopping characteristics of the heating circuit pump.

Standard set room temperature

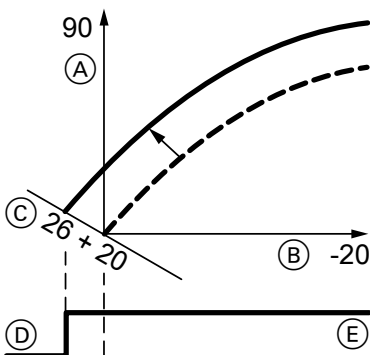


Fig. 34 Example 1: Adjustment of the standard set room temperature from 20 to 26 °C

- (A) Boiler water temperature or flow temperature in °C
- (B) Outside temperature in °C
- (C) Set room temperature in °C
- (D) Heating circuit pump "OFF"
- (E) Heating circuit pump "ON"

Changing the standard set room temperature

Operating instructions

Reduced set room temperature

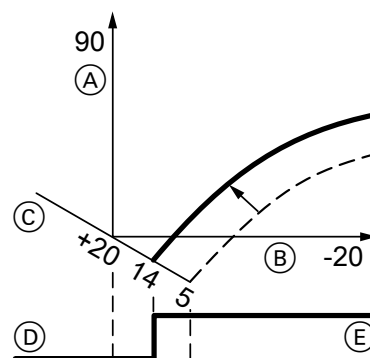


Fig. 35 Example 2: Adjustment of the reduced set room temperature from 5 °C to 14 °C

- (A) Boiler water temperature or flow temperature in °C
- (B) Outside temperature in °C
- (C) Set room temperature in °C
- (D) Heating circuit pump "OFF"
- (E) Heating circuit pump "ON"

Changing the reduced set room temperature

Operating instructions

Changing the slope and level

Individually adjustable for each heating circuit.



Adjusting the heating curves (only for... (cont.))

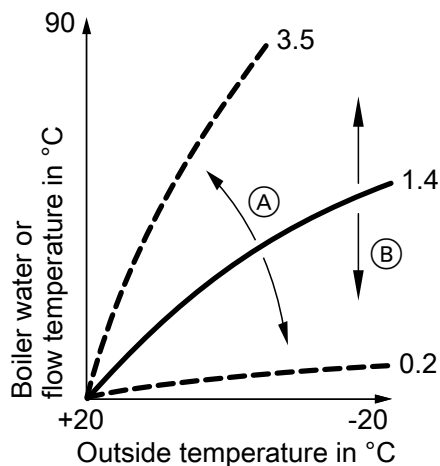


Fig. 36

Extended menu:

- 1.
2. "Heating"
3. Select heating circuit.
4. "Heating curve"
5. "Slope" or "Level"
6. Select heating curve according to the system requirements.

- (A) Changing the slope
- (B) Changing the level (vertical parallel offset of the heating curve)



Connecting the control unit to the LON

The LON communication module must be plugged in.

Note

The data transfer via LON can take several minutes.

Note

The same subscriber number must **not** be allocated twice within the LON.

Only one Vitotronic may be programmed as fault manager.

Example: Single boiler system with Vitotronic 200-H and Vitocom 200

Set the LON subscriber numbers and further functions via code 2 (see the following table).

All coding addresses in the table are listed in the "General" group.

Boiler control unit	Vitotronic 200-H	Vitotronic 200-H	Vitocom
Subscriber no. 1 Code "77:1"	Subscriber no. 10 Code "77:10"	Subscriber no. 11 Set code "77:11".	Subscriber no. 99
Control unit is fault manager. Code "79:1"	Control unit is not fault manager. Code "79:0"	Control unit is not fault manager. Code "79:0"	Device is fault manager.
Control unit transmits the time. Code "7b:1"	Control unit receives the time. Set code "81:3".	Control unit receives the time. Set code "81:3".	Device receives the time.
Control unit sends outside temperature. Set code "97:2".	Control unit receives outside temperature. Set code "97:1".	Control unit receives outside temperature. Set code "97:1".	—



Connecting the control unit to the LON (cont.)

Boiler control unit	Vitotronic 200-H	Vitotronic 200-H	Vitocom
Viessmann system number. Code "98:1"	Viessmann system number. Code "98:1"	Viessmann system number. Code "98:1"	—
LON subscriber fault monitoring. Code "9C:20"	LON subscriber fault monitoring. Code "9C:20"	LON subscriber fault monitoring. Code "9C:20"	—

Carrying out a LON subscriber check

The subscriber check is used to test communication with the system devices connected to the fault manager.

Requirements:

- The control unit must be programmed as **fault manager** (code "79:1" in the **"General"** group).
- The LON subscriber number must be programmed in all control units.
- The LON subscriber list in the fault manager must be up to date.

Service menu:

1. Press **OK** and simultaneously for approx. 4 s.
2. **"Service functions"**

3. "Subscriber check"

4. Select subscriber (e.g. subscriber 10).
5. Start the subscriber check with **"OK"**.

- Successfully tested subscribers are designated with **"OK"**.
- Unsuccessfully tested subscribers are identified with **"Not OK"**.

Note

To perform another subscriber check:

Create a new subscriber list with **"Delete list?"** (subscriber list is updated).

Note

During the subscriber check, the display of the relevant subscriber shows the subscriber no. and **"Wink"** for approx. 1 min.



Scanning and resetting the "Service" display

The red fault indicator flashes when the limits set in coding addresses "21" and "23" have been reached. (Coding address in group **"Boiler"** (weather-compensated control unit) or group 2 (constant temperature control unit).)

Weather-compensated control unit

Constant temperature control unit

Display

"Service" and

The specified hours run or the specified interval with calendar symbol (subject to setting) and

Acknowledging a service

Press **OK**.
Service the appliance.

Press **OK**.
Service the appliance.

Note

An acknowledged service message that was not reset appears again the following Monday.

Note

An acknowledged service message that was not reset appears again after 7 days.

After the service has been carried out: Reset the codes

Service menu:

1. Press **OK** and simultaneously for approx. 4 s.
2. **"Service functions"**
3. **"Service reset"**

Reset code "24:1" in group 2 to "24:0".

Note

The selected service parameters for hours run and interval restart at **"0"**.

Note

The selected service parameters for hours run and interval restart at **"0"**.



Fitting the front panel

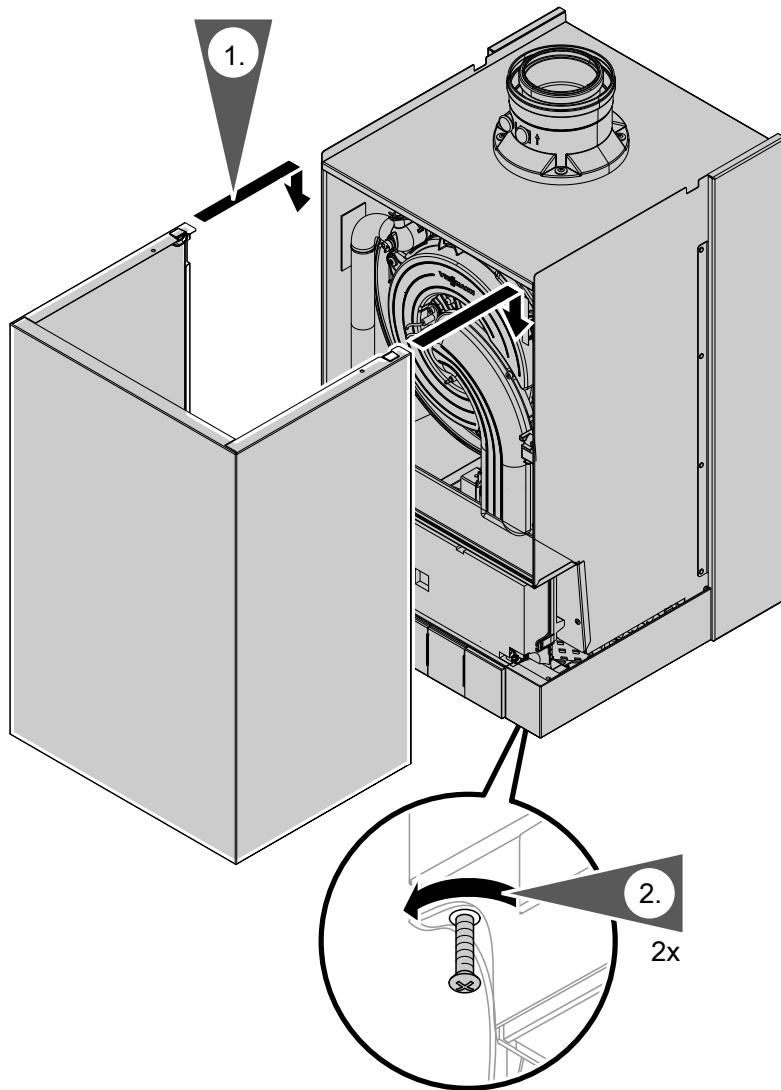


Fig. 37

Note

Ensure the locking screws are fitted before operating.



Instructing the system user

The system installer should hand the operating instructions to the system user and instruct the user in operating the system.

Calling up coding level 1

- On weather-compensated control units, codes are displayed as plain text.
- Codes that are not assigned due to the heating system equipment level or the setting of other codes are not displayed.
- Heating systems with one heating circuit without mixer and one or two heating circuits with mixer: The heating circuit without mixer is designated **"Heating circuit 1"** and the heating circuits with mixer as **"Heating circuit 2"** or **"Heating circuit 3"**. If the heating circuits were given individual designations, the selected designation and **"HC1"**, **"HC2"** or **"HC3"** appear instead.


Weather-compensated control unit

The codes are divided into groups

- **"General"**
- **"Boiler"**
- **"DHW"**
- **"Solar"**
- **"Heating circuit 1/2/3"**
- **"All codes std device"**
In this group, all coding addresses from coding level 1 (except the coding addresses from the **"Solar"** group) are displayed in ascending order.
- **"Standard setting"**

Call up code 1

Service menu:

1. Press **OK** and  simultaneously for approx. 4 s.
2. **"Coding level 1"**
3. Select group of required coding address.
4. Select coding address.
5. Select value according to the following tables and confirm with **OK**.

Resetting all codes to their delivered condition

Select **"Standard setting"**.









Note


This also resets codes at coding level 2.

Constant temperature control unit

- 1: **"General"**
- 2: **"Boiler"**
- 3: **"DHW"**
- 4: **"Solar"**
- 5: **"Heating circuit 1"**
- 6: **"All codes std device"**
In this group, all coding addresses are displayed in ascending order.
- 7: **"Standard setting"**

Service menu:

1. Press **OK** and  simultaneously for approx. 4 s.
2. Select **"①"** with  for coding level 1 and confirm with **OK**.
3. **"I"** flashes on the display for the coding addresses in group 1.
4. Select the group of the required coding address with / and confirm with **OK**.
5. Select coding address with /.
6. Set value according to the following tables with / and confirm with **OK**.

Select **"7"** with  and confirm with **OK**.
When **"I"** flashes, confirm with **OK**.

Note

This also resets codes at coding level 2.

General/group "1"

Select **"General"** for weather-compensated control units (see page 47).

Select **"1"** for constant temperature control units (see page 47).

General/group "1" (cont.)**Coding**

Coding in the delivered condition		Possible change	
System design			
00:1	System design 1: One heating circuit without mixer A1 (heating circuit 1), without DHW heating	00:2 to 00:10	For system schemes, see the following table:

Value, address 00: ...	System design	Description
2	1	One heating circuit without mixer A1 (heating circuit 1), with DHW heating (code is set automatically)
3	2,3	One heating circuit with mixer M2 (heating circuit 2), without DHW heating
4	2,3	One heating circuit with mixer (heating circuit 2), with DHW heating
5	2,3	One heating circuit without mixer A1 (heating circuit 1) and one heating circuit with mixer M2 (heating circuit 2), without DHW heating (code is set automatically)
6	2,3	One heating circuit without mixer A1 (heating circuit 1) and one heating circuit with mixer M2 (heating circuit 2), with DHW heating (code is set automatically)
7	4	One heating circuit with mixer M2 (heating circuit 2) and one heating circuit with mixer M3 (heating circuit 3), without DHW heating
8	4	One heating circuit with mixer M2 (heating circuit 2) and one heating circuit with mixer M3 (heating circuit 3), with DHW heating
9	4	One heating circuit without mixer A1 (heating circuit 1), one heating circuit with mixer M2 (heating circuit 2) and one heating circuit with mixer M3 (heating circuit 3), without DHW heating (code is set automatically)
10	4	One heating circuit without mixer A1 (heating circuit 1), one heating circuit with mixer M2 (heating circuit 2) and one heating circuit with mixer M3 (heating circuit 3), with DHW heating (code is set automatically)

Coding in the delivered condition		Possible change	
Internal circulation pump function			
51:0	System with low loss header: When there is a heat demand, the internal circulation pump always starts	51:1	System with low loss header: When there is a heat demand, the internal circulation pump only starts if the burner is running. The circulation pump stops on expiry of the run-on time.
		51:2	System with heating water buffer cylinder: When there is a heat demand, the internal circulation pump only starts if the burner is running.

General/group "1" (cont.)

Coding in the delivered condition		Possible change	
Subscriber no.			
77:1	LON subscriber number (only for weather-compensated control units)	77:2 to 77:99	LON subscriber number adjustable from 1 to 99: 1 - 4 = Boiler 5 = Cascade 10 - 97 = Vitotronic 200-H 98 = Vitogate 99 = Vitocom Note <i>Allocate each number only once.</i>
Detached house/apartment building			
7F:1	Detached house (only for weather-compensated control units)	7F:0	Apartment building Holiday program and time program for DHW heating can be set separately.
Lock out controls			
8F:0	Control in standard menu and extended menu enabled Note <i>The relevant code is only enabled when you exit the service menu.</i>	8F:1	Operation locked out in standard and extended menu. Emissions test mode can be enabled.
		8F:2	Operation enabled in standard menu, but locked out in extended menu. Emissions test mode can be enabled.
Set flow temperature for external demand			
9b:70	Set flow temperature for external demand 70 °C	9b:0 to 9b:127	Set flow temperature for external demand adjustable from 0 to 127 °C (limited by boiler-specific parameters)

Boiler/group "2"

Select **"Boiler"** for weather-compensated control units (see page 47).

Select **"2"** for constant temperature control units (see page 47).

Coding

Coding in the delivered condition		Possible change	
Single/multi boiler system			
01:1	Single boiler system (only for constant temperature control units)	01:2	Multi boiler system with Vitotronic 300-K
Boiler number			
07:1	Boiler number in multi boiler systems (only for constant temperature control units)	07:2 to 07:8	Boiler number 2 to 8 in multi boiler systems

Boiler/group "2" (cont.)

Coding in the delivered condition		Possible change	
Burner service in 100 hours			
21:0	No service interval set (in hours run)	21:1 to 21:100	The number of hours run before the burner should be serviced is adjustable from 100 to 10,000 h One step \pm 100 h
Service interval in months			
23:0	No time set for burner service interval	23:1 to 23:24	Interval adjustable from 1 to 24 months
Service status			
24:0	"Service" not shown on the display	24:1	"Service" shown on the display. The address is set automatically and must be reset manually after a service.
Filling/venting			
2F:0	Venting program/fill program disabled	2F:1	Venting program enabled
		2F:2	Fill program enabled

DHW/group "3"

Select **"DHW"** for weather-compensated control units (see page 47).

Select **"3"** for constant temperature control units (see page 47).

Coding

Coding in the delivered condition		Possible change	
Set DHW temperature reheating suppression			
67:40	For solar DHW heating: set DHW temperature 40 °C. Reheating is suppressed above the selected set temperature: boiler only starts as backup if the rise in the DHW temperature is too low. Cannot be adjusted on gas condensing combi boilers.	67:0 to 67:95	Set DHW temperature adjustable from 0 to 95 °C (limited by boiler-specific parameters)
Enable DHW circulation pump			
73:0	DHW circulation pump: "ON" according to time program (only for weather-compensated control units)	73:1 to 73:6	"ON" from once per hour for 5 min up to 6 times per hour for 5 min during the time program
		73:7	Permanently "ON"

Solar/group "4"

Select **"Solar"** for weather-compensated control units (see page 47).

Select **"4"** for constant temperature control units (see page 47).

Note

The solar group is only displayed if a solar control module, type SM1, is connected.

Solar/group "4" (cont.)**Coding**

Coding in the delivered condition		Possible change	
Speed control solar circuit pump			
02:...	Data dependent on the software version of solar control module SM1	02:0	Solar circuit pump is not speed-controlled
		02:1	With wave packet control function Never adjust
		02:2	Solar circuit pump is speed-controlled with PWM control
Maximum cylinder temperature			
08:60	Set DHW temperature (maximum cylinder temperature) 60 °C.	08:10 to 08:90	Set DHW temperature adjustable from 10 to 90 °C.
Stagnation time reduction			
0A:5	Temperature differential for stagnation time reduction (reduction in the speed of the solar circuit pump to protect system components and heat transfer medium) 5 K.	0A:0	Stagnation time reduction not active.
		0A:1 to 0A:40	Temperature differential adjustable from 1 to 40 K.
Flow rate solar circuit			
0F:70	Solar circuit flow rate at the maximum pump speed 7 l/min.	0F:1 to 0F:255	Flow rate adjustable from 0.1 to 25.5 l/min, 1 step \triangleq 0.1 l/min.
Extended solar control functions			
20:0	No extended control function enabled	20:1	Auxiliary function for DHW heating
		20:2	Differential temperature control 2.
		20:3	Differential temperature control 2 and auxiliary function.
		20:4	Differential temperature control 2 for central heating backup.
		20:5	Thermostat function
		20:6	Thermostat function and auxiliary function
		20:7	Solar heating via external heat exchanger without additional temperature sensor
		20:8	Solar heating via external heat exchanger with additional temperature sensor
20:9	Solar heating of 2 DHW cylinders		

Heating circuit 1, heating circuit 2, heating circuit 3/group "5"

Select **"Heating circuit ..."** for weather-compensated control units (see page 47).

Select **"5"** for constant temperature control units (see page 47).

Heating circuit 1, heating circuit 2, heating... (cont.)

Coding

Coding in the delivered condition		Possible change	
Priority DHW heating			
A2:2	Cylinder priority applicable to heating circuit pump and mixer	A2:0	Without cylinder priority applicable to heating circuit pump and mixer
		A2:1	Cylinder priority only applicable to mixer
		A2:3 to A2:15	Reduced priority applicable to mixer: the heating circuit receives a reduced amount of heat.

Economy function outside temperature

A5:5	With heating circuit pump logic function (economy control): Heating circuit pump "OFF" when the outside temperature (OT) is 1 K higher than the set room temperature (RT_{set}) $OT > RT_{set} + 1$ K (only for weather-compensated control units)	A5:0	Without heating circuit pump logic function
		A5:1 to A5:15	With heating circuit pump logic function: heating circuit pump "OFF"; see following table

Parameter address A5:...	With heating circuit pump logic function: Heating circuit pump "OFF"
1	$OT > RT_{set} + 5$ K
2	$OT > RT_{set} + 4$ K
3	$OT > RT_{set} + 3$ K
4	$OT > RT_{set} + 2$ K
5	$OT > RT_{set} + 1$ K
6	$OT > RT_{set}$
7	$OT > RT_{set} - 1$ K
to	
15	$OT > RT_{set} - 9$ K

Coding in the delivered condition		Possible change	
Extended economy function adjusted outside temperature			
A6:36	Extended economy control disabled (only for weather-compensated control units)	A6:5 to A6:35	Extended economy mode enabled: The burner and heating circuit pump will stop and the mixer will be closed at a variable value, adjustable between 5 and 35 °C plus 1 °C. The basis for this is the adjusted outside temperature. This is composed of the actual outside temperature and a time constant that takes account of the way an average building cools down.

Heating circuit 1, heating circuit 2, heating... (cont.)

Coding in the delivered condition		Possible change	
Extended economy function mixer			
A7:0	Without mixer economy function Only for weather-compensated control units and heating circuits with mixer.	A7:1	With mixer economy function (extended heating circuit pump logic): Heating circuit pump also "OFF": <ul style="list-style-type: none"> ▪ If the mixer has been trying to close for longer than 20 min. Heating circuit pump "ON": <ul style="list-style-type: none"> ▪ If the mixer changes to control function ▪ If there is a risk of frost
Pump idle time, transition reduced mode			
A9:7	With pump idle time: Heating circuit pump "OFF" if the set value is altered through a change in operating mode or in the set room temperature (only for weather-compensated control units)	A9:0	Without pump idle time
		A9:1 to A9:15	With pump idle time, adjustable from 1 to 15. The higher the value, the longer the pump idle time.
Weather-compensated/room temperature hook-up			
b0:0	With remote control: Heating mode/reduced mode: Weather-compensated (only for weather-compensated control units). Change code only for the heating circuit with mixer.	b0:1	Heating mode: Weather-compensated Reduced mode: With room temperature hook-up
		b0:2	Heating mode: With room temperature hook-up Reduced mode: Weather-compensated
		b0:3	Heating mode/reduced mode: With room temperature hook-up
Economy function room temperature			
b5:0	With remote control: No room temperature-dependent heating circuit pump logic function (only for weather-compensated control units). Change code only for the heating circuit with mixer.	b5:1 to b5:8	For heating circuit pump logic function, see the following table:

Parameter address b5:...	With heating circuit pump logic function:	
	Heating circuit pump "OFF"	Heating circuit pump "ON"
1	$RT_{\text{actual}} > RT_{\text{set}} + 5 \text{ K}$	$RT_{\text{actual}} < RT_{\text{set}} + 4 \text{ K}$
2	$RT_{\text{actual}} > RT_{\text{set}} + 4 \text{ K}$	$RT_{\text{actual}} < RT_{\text{set}} + 3 \text{ K}$
3	$RT_{\text{actual}} > RT_{\text{set}} + 3 \text{ K}$	$RT_{\text{actual}} < RT_{\text{set}} + 2 \text{ K}$
4	$RT_{\text{actual}} > RT_{\text{set}} + 2 \text{ K}$	$RT_{\text{actual}} < RT_{\text{set}} + 1 \text{ K}$
5	$RT_{\text{actual}} > RT_{\text{set}} + 1 \text{ K}$	$RT_{\text{actual}} < RT_{\text{set}}$
6	$RT_{\text{actual}} > RT_{\text{set}}$	$RT_{\text{actual}} < RT_{\text{set}} - 1 \text{ K}$
7	$RT_{\text{actual}} > RT_{\text{set}} - 1 \text{ K}$	$RT_{\text{actual}} < RT_{\text{set}} - 2 \text{ K}$
8	$RT_{\text{actual}} > RT_{\text{set}} - 2 \text{ K}$	$RT_{\text{actual}} < RT_{\text{set}} - 3 \text{ K}$

Heating circuit 1, heating circuit 2, heating... (cont.)

Coding in the delivered condition		Possible change	
Min. flow temperature heating circuit			
C5:20	Electronic minimum flow temperature limit 20 °C (only for weather-compensated control units)	C5:1 to C5:127	Minimum limit adjustable from 1 to 127 °C (limited by boiler-specific parameters)
Max. flow temperature heating circuit			
C6:74	Electronic maximum flow temperature limit 74 °C (only for weather-compensated control units)	C6:10 to C6:127	Maximum limit adjustable from 10 to 127 °C (limited by boiler-specific parameters)
Heating program - changeover			
d5:0	The external operating program changeover switches the operating program to "Constant operation with reduced room temperature" or "Standby mode" (only for weather-compensated control units)	d5:1	External operating program changeover switches to "Constant operation at standard room temperature" (subject to coding addresses 3A, 3b and 3C)
Ext. heating program changeover to heating circuit			
d8:0	No operating program changeover via EA1 extension	d8:1	Operating program changeover via input DE1 at EA1 extension
		d8:2	Operating program changeover via input DE2 at EA1 extension
		d8:3	Operating program changeover via input DE3 at EA1 extension
Screed function			
F1:0	Screed drying disabled (only for weather-compensated control units).	F1:1 to F1:6	Screed drying adjustable with choice of 6 temperature/time profiles (see page 114)
		F1:15	Constant flow temperature 20 °C
Party mode time limit			
F2:8	Time limit for party mode or external operating program changeover via pushbutton: 8 h (only for weather-compensated control units)* ¹	F2:0	No time limit for party mode* ¹
		F2:1 to F2:12	Time limit adjustable from 1 to 12 h* ¹
Pump control in "Only DHW"			
F6:25	In "Only DHW" mode, the circulation pump in the heating circuit connection set is constantly on (only for constant temperature control units)	F6:0	In "Only DHW" mode, the circulation pump in the heating circuit connection set is constantly off
		F6:1 to F6:24	In "Only DHW" mode, the circulation pump in the heating circuit connection set is started 1 to 24 times per day for 10 min each time.
Pump control in "standby mode"			
F7:25	In "Standby mode", the circulation pump in the heating circuit connection set is constantly on (only for constant temperature control units)	F7:0	In "Standby mode", the circulation pump in the heating circuit connection set is constantly off
		F7:1 to F7:24	In "Standby mode", the circulation pump in the heating circuit connection set is started 1 to 24 times per day for 10 min each time.

*¹ In the "Heating and DHW" program, party mode ends **automatically** when the system changes over to operation with standard room temperature.

Heating circuit 1, heating circuit 2, heating... (cont.)

Coding in the delivered condition		Possible change	
Start temperature raising			
F8:-5	Temperature limit for terminating reduced mode -5 °C, see example on page 116. Observe setting for coding address "A3". (Only for weather-compensated control units)	F8:+10 to F8:-60	Temperature limit adjustable from +10 to -60 °C
		F8:-61	Function disabled
End temperature raising			
F9:-14	Temperature limit for raising the reduced set room temperature -14 °C; see example on page 116. (Only for weather-compensated control units)	F9:+10 to F9:-60	Temperature limit for raising the set room temperature to the value selected for standard mode adjustable from +10 to -60 °C
Set flow temperature increase			
FA:20	Raising the set boiler water or flow temperature by 20 % when changing from operation with reduced room temperature to operation with standard room temperature. See example on page 116 (only for weather-compensated control units).	FA:0 to FA:50	Temperature rise adjustable from 0 to 50 %
Duration set flow temperature increase			
Fb:60	Duration for raising the set boiler water temperature or set flow temperature (see coding address "FA") 60 min. See example on page 116 (only for weather-compensated control units).	Fb:0 to Fb:240	Duration adjustable from 0 to 240 min

Calling up coding level 2

- All codes are accessible in coding level 2.
- Codes that are not assigned due to the heating system equipment level or the setting of other codes are not displayed.
- The heating circuit without mixer is designated **"Heating circuit 1"** and the heating circuits with mixer as **"Heating circuit 2"** or **"Heating circuit 3"**. If the heating circuits were given individual designations, the selected designation and **"HC1"**, **"HC2"** or **"HC3"** appear instead.

Weather-compensated control unit

The codes are divided into groups



- **"General"**
- **"Boiler"**
- **"DHW"**
- **"Solar"**
- **"Heating circuit 1/2/3"**
- **"All codes std device"**
In this group, all coding addresses (except the coding addresses from the **"Solar"** group) are displayed in ascending order.
- **"Standard setting"**

Constant temperature control unit










- 1: **"General"**
- 2: **"Boiler"**
- 3: **"DHW"**
- 4: **"Solar"**
- 5: **"Heating circuit 1"**
- 6: **"All codes std device"**
In this group, all coding addresses are displayed in ascending order.
- 7: **"Standard setting"**

Call up code 2

Service menu:

1. Press **OK** and  simultaneously for approx. 4 s.
2. Press **OK** and  simultaneously for approx. 4 s.
3. **"Coding level 2"**
4. Select group of required coding address.
5. Select coding address.
6. Select value according to the following tables and confirm with **OK**.

Service menu:


1. Press **OK** and  simultaneously for approx. 4 s.
2. Press **OK** and  simultaneously for approx. 4 s.
3. Select **"2"** with  for coding level 2 and confirm with **OK**.
4. **"I"** flashes on the display for the coding addresses in group 1.
5. Select the group of the required coding address with / and confirm with **OK**.
6. Select coding address with /.
7. Set value according to the following tables with / and confirm with **OK**.

Resetting all codes to their delivered condition

Select **"Standard setting"**.

Note

This also resets codes at coding level 1.

Select **"7"** with  and confirm with **OK**.
When **"I"** flashes, confirm with **OK**.

Note

This also resets codes at coding level 1.

General/group "1"

Select **"General"** for weather-compensated control units (see page 56).

Select **"1"** for constant temperature control units (see page 56).

Coding

Coding in the delivered condition

00:1	System design 1: One heating circuit without mixer A1 (heating circuit 1), without DHW heating
------	---

Possible change

00:2 to 00:10	For system schemes, see the following table:
---------------------	--

General/group "1" (cont.)

Value, address 00: ...	System design	Description
2	1	One heating circuit without mixer A1 (heating circuit 1), with DHW heating (code is set automatically)
3	2,3	One heating circuit with mixer M2 (heating circuit 2), without DHW heating
4	2,3	One heating circuit with mixer (heating circuit 2), with DHW heating
5	2,3	One heating circuit without mixer A1 (heating circuit 1) and one heating circuit with mixer M2 (heating circuit 2), without DHW heating (code is set automatically)
6	2,3	One heating circuit without mixer A1 (heating circuit 1) and one heating circuit with mixer M2 (heating circuit 2), with DHW heating (code is set automatically)
7	4	One heating circuit with mixer M2 (heating circuit 2) and one heating circuit with mixer M3 (heating circuit 3), without DHW heating
8	4	One heating circuit with mixer M2 (heating circuit 2) and one heating circuit with mixer M3 (heating circuit 3), with DHW heating
9	4	One heating circuit without mixer A1 (heating circuit 1), one heating circuit with mixer M2 (heating circuit 2) and one heating circuit with mixer M3 (heating circuit 3), without DHW heating (code is set automatically)
10	4	One heating circuit without mixer A1 (heating circuit 1), one heating circuit with mixer M2 (heating circuit 2) and one heating circuit with mixer M3 (heating circuit 3), with DHW heating (code is set automatically)

Coding in the delivered condition		Possible change	
11:≠9	No access to the coding addresses for the parameters of the combustion controller	11:9	Access to the coding addresses for the parameters of the combustion controller open
25:0	Without outside temperature sensor (for constant temperature control units)	25:1	With outside temperature sensor (automatic recognition)
2A:0	Without wireless outside temperature sensor	2A:1	With wireless outside temperature sensor (automatic recognition)
		2A:2	Wireless outside temperature sensor not used
2d:0	Never adjust		
32:0	Without AM1 extension	32:1	With AM1 extension (automatic recognition)
33:1	Function of output A1 at AM1 extension: Heating circuit pump	33:0	Function of output A1: DHW circulation pump
		33:2	Function of output A1: Circulation pump for cylinder heating
34:0	Function of output A2 at AM1 extension: DHW circulation pump	34:1	Function of output A2: Heating circuit pump
		34:2	Function of output A2: Circulation pump for cylinder heating
35:0	Without EA1 extension	35:1	With EA1 extension (automatic recognition)
36:0	Function of output [157] at EA1 extension: Fault message	36:1	Function of output [157]: Feed pump Note Function only possible in conjunction with a heating circuit control unit connected via LON.

General/group "1" (cont.)

Coding in the delivered condition		Possible change	
36:2	Function of output [157]: DHW circulation pump		
39:2	Function output [21]: Circulation pump for cylinder heating	39:0	Function output [21]: DHW circulation pump
		39:1	Function output [21]: Heating circuit pump
3A:0	Function of input DE1 at EA1 extension: No function	3A:1	Function of input DE1: Operating program changeover
		3A:2	Function of input DE1: External demand with set flow temperature Set flow temperature setting: Coding address 9b Internal circulation pump function: Coding address 3F
		3A:3	Function of input DE1: External blocking Internal circulation pump function: Coding address 3E
		3A:4	Function of input DE1: External blocking with fault message input Internal circulation pump function: Coding address 3E
		3A:5	Function of input DE1: Fault message input
		3A:6	Function of input DE1: Brief operation of DHW circulation pump (key-pad function). Adjusting DHW circulation pump runtime: Coding address 3d
3b:0	Function of input DE2 at EA1 extension: No function	3b:1	Function of input DE2: Operating program changeover
		3b:2	Function of input DE2: External demand with set flow temperature Set flow temperature setting: Coding address 9b Internal circulation pump function: Coding address 3F
		3b:3	Function of input DE2: External blocking Internal circulation pump function: Coding address 3E
		3b:4	Function of input DE2: External blocking with fault message input Internal circulation pump function: Coding address 3E
		3b:5	Function of input DE2: Fault message input
		3b:6	Function of input DE2: Brief operation of DHW circulation pump (key-pad function). Adjusting DHW circulation pump runtime: Coding address 3d
3C:0	Function of input DE3 at EA1 extension: No function	3C:1	Function of input DE3: Operating program changeover

General/group "1" (cont.)

Coding in the delivered condition		Possible change	
		3C:2	Function of input DE3: External demand with set flow temperature Set flow temperature setting: Coding address 9b Internal circulation pump function: Coding address 3F
		3C:3	Function of input DE3: External blocking Internal circulation pump function: Coding address 3E
		3C:4	Function of input DE3: External blocking with fault message input Internal circulation pump function: Coding address 3E
		3C:5	Function of input DE3: Fault message input
		3C:6	Function of input DE3: Brief operation of DHW circulation pump (key-pad function). Adjusting DHW circulation pump runtime: Coding address 3d
3d:5	Runtime of DHW circulation pump during brief operation: 5 min	3d:1 to 3d:60	Runtime of DHW circulation pump adjustable from 1 to 60 min
3E:0	Boiler circuit pump stays in control mode at "External blocking" signal	3E:1	Boiler circuit pump stops at "External blocking" signal
		3E:2	Boiler circuit pump starts at "External blocking" signal
3F:0	Boiler circuit pump stays in control mode at "External demand" signal	3F:1	Boiler circuit pump stops at "External demand" signal
		3F:2	Boiler circuit pump starts at "External demand" signal
4b:0	Function of input [96]: Room temperature controller (Vitolrol 100) Only for constant temperature control units	4b:1	External demand
		4b:2	External blocking
51:0	System with low loss header: Boiler circuit pump is always started when there is a heat demand	51:1	System with low loss header: When there is a heat demand, the boiler circuit pump is only started if the burner is running. The circulation pump stops on expiry of the run-on time.
		51:2	System with heating water buffer cylinder: When there is a heat demand, the boiler circuit pump is only started if the burner is running.
52:0	Without flow temperature sensor for low loss header	52:1	With flow temperature sensor for low loss header (automatic recognition)
53:1	Function of terminal [28] of internal extension: DHW circulation pump	53:0	Function of terminal [28]: Central fault
		53:2	Function of terminal [28]: External heating circuit pump (heating circuit 1)

General/group "1" (cont.)

Coding in the delivered condition		Possible change	
		53:3	Function of terminal 28 : External circulation pump for cylinder heating
54:0	Without solar thermal system	54:1	With Vitosolic 100 (automatic recognition)
		54:2	With Vitosolic 200 (automatic recognition)
		54:4	With solar control module SM1 with auxiliary function, e.g. central heating backup (automatic recognition)
6E:50	No measured outside temperature correction	6E:0 to 6E:100	Outside temperature correction in 0.1 K steps 0 to 49 = -5 K to -0.1 K 51 to 100 = 0.1 K to 5 K
76:0	Without communication module	76:1	With LON communication module (automatic recognition). Only for weather-compensated control units.
		76:2	With cascade communication module (automatic recognition). Only for constant temperature control units.
77:1	LON subscriber number (only for weather-compensated control units)	77:2 to 77:99	LON subscriber number adjustable from 1 to 99: 1 - 4 = Boiler 5 = Cascade 10 - 97 = Vitotronic 200-H 98 = Vitogate 99 = Vitocom Note <i>Allocate each number only once.</i>
79:1	With LON communication module: Control unit is fault manager (only for weather-compensated control units)	79:0	Control unit is not fault manager
7b:1	With LON communication module: Control unit transmits the time (only for weather-compensated control units)	7b:0	Does not transmit time
7F:1	Detached house (only for weather-compensated control units)	7F:0	Apartment building Holiday program and time program for DHW heating can be set separately.
80:6	A fault message is issued if a fault is present for at least 30 s	80:0	Immediate fault message
		80:2 to 80:199	Minimum fault duration until a fault message is issued, adjustable from 10 to 995 s 1 step \approx 5 s
81:1	Automatic summer/wintertime changeover	81:0	Manual summer/wintertime changeover
		81:2	Use of the radio clock receiver (automatic recognition)
		81:3	With LON communication module: Control unit receives the time

General/group "1" (cont.)

Coding in the delivered condition		Possible change	
82:0	Operation with natural gas	82:1	Operation with LPG (only adjustable if coding address 11:9 has been set)
88:0	Temperature displayed in °C (Celsius)	88:1	Temperature displayed in °F (Fahrenheit)
8A:175	Never adjust		
8F:0	Control in standard menu and extended menu enabled Note <i>The relevant code is only enabled when you exit the service menu.</i>	8F:1	Operation locked out in standard and extended menu. Emissions test mode can be enabled.
		8F:2	Operation enabled in standard menu, but locked out in extended menu. Emissions test mode can be enabled.
90:128	Time constant for calculating the adjusted outside temperature 21.3 h	90:1 to 90:199	Subject to the set value, the flow temperature is adjusted quickly (low values) or slowly (high values) when the outside temperature changes; 1 step \triangleq 10 min
94:0	Without OpenTherm extension	94:1	With OpenTherm extension (automatic recognition)
95:0	Without Vitocom 100 communication interface, type GSM	95:1	With Vitocom 100 communication interface, type GSM (automatic recognition)
97:0	With LON communication module: Outside temperature of the sensor connected to the control unit is utilised internally (only for weather-compensated control units)	97:1	Control unit receives outside temperature
		97:2	Control unit transmits outside temperature to Vitotronic 200-H
98:1	Viessmann system number In conjunction with monitoring several systems via Vitocom 300	98:1 to 98:5	System number adjustable from 1 to 5
99:0	Never adjust		
9A:0	Never adjust		
9b:70	Set flow temperature for external demand 70 °C	9b:0 to 9b:127	Set flow temperature for external demand adjustable from 0 to 127 °C (limited by boiler-specific parameters)
9C:20	LON subscriber monitoring If there is no response from a subscriber for 20 min, the values specified in the control unit are used. Only then will a fault message be issued. (Only for weather-compensated control units)	9C:0	No monitoring
		9C:5 to 9C:60	Time adjustable from 5 to 60 min
9F:8	Differential temperature 8 K Only in conjunction with the mixer circuit (only for weather-compensated control units)	9F:0 to 9F:40	Differential temperature adjustable from 0 to 40 K

Boiler/group "2"

Select **"Boiler"** for weather-compensated control units (see page 56).

Select **"2"** for constant temperature control units (see page 56).

Coding

Coding in the delivered condition		Possible change	
01:1	Single boiler system (only for constant temperature control units)	01:2	Multi boiler system with Vitotronic 300-K
04:1	Minimum burner pause time subject to the boiler load (specified by coding card)	04:0	Minimum burner pause time set permanently (specified by coding card)
06:...	Maximum limit of the boiler water temperature, specified by the coding card in °C	06:20 to 06:127	Maximum boiler water temperature limit within the ranges specified by the boiler
07:1	Boiler number in multi boiler systems (only for constant temperature control units)	07:2 to 07:8	Boiler number 2 to 8 in multi boiler systems
08:...	Maximum burner heating output in kW with a multi boiler system	08:0 to 08:199	Maximum burner heating output adjustable from 0 to 199 kW (limited by boiler-specific parameters) in steps of 1 kW
0d:0	Never adjust		
0E:0	Never adjust		
13:1	Never adjust		
14:1	Never adjust		
15:1	Never adjust		
21:0	No service interval set (in hours run)	21:1 to 21:100	The number of hours run before the burner should be serviced is adjustable from 100 to 10,000 h One step \pm 100 h
23:0	No time set for burner service interval	23:1 to 23:24	Interval adjustable from 1 to 24 months
24:0	"Service" not shown on the display	24:1	"Service" shown on the display (Address is set automatically and must be reset manually after a service)
28:0	No burner interval ignition	28:1 to 28:24	Time interval adjustable from 1 h to 24 h. The burner is force-started for 30 s at a time (only when operating with LPG).
2E:0	Never adjust		
2F:0	Venting program/fill program disabled	2F:1	Venting program enabled
		2F:2	Fill program enabled
30:3	Boiler circuit pump speed-controlled via 0-10 V interface	30:0	<ul style="list-style-type: none"> ▪ Connection of multi stage boiler circuit pump ▪ Operation with low loss header (single or multi boiler system)
		30:1	Boiler circuit pump variable speed
		30:2	Boiler circuit pump variable speed with flow rate

Boiler/group "2" (cont.)

Coding in the delivered condition		Possible change	
31:...	Set speed of the internal circulation pump when operated as boiler circuit pump in %, specified by the boiler coding card	31:0 to 31:100	Set speed adjustable from 0 to 100 %
38:0	Status of burner control unit: Operational (no fault)	38:≠0	Status of burner control unit: Fault

DHW/group "3"

Select **"DHW"** for weather-compensated control units (see page 56).

Select **"3"** for constant temperature control units (see page 56).

Coding

Coding in the delivered condition		Possible change	
56:0	Set DHW temperature adjustable from 10 to 60 °C	56:1	Set DHW temperature adjustable from 10 to above 60 °C Note <i>Maximum value dependent on coding card</i> <i>Observe the maximum permissible DHW temperature.</i>
58:0	Without auxiliary function for DHW heating	58:10 to 58:60	Entry of a 2nd set DHW temperature Adjustable from 10 to 60 °C (observe coding addresses "56" and "63")
59:0	Cylinder heating: Start point -2.5 K Stop point +2.5 K	59:1 to 59:10	Start point adjustable from 1 to 10 K below set value
5b:0	DHW cylinder directly connected to the boiler	5b:1	DHW cylinder connected downstream of the low loss header
5E:0	Circulation pump for cylinder heating stays in control mode at "External blocking" signal	5E:1	Circulation pump for cylinder heating stops at "External blocking" signal
		5E:2	Circulation pump for cylinder heating starts at "External blocking" signal
5F:0	Circulation pump for cylinder heating stays in control mode at "External demand" signal	5F:1	Circulation pump for cylinder heating stops at "External demand" signal
		5F:2	Circulation pump for cylinder heating starts at "External demand" signal
60:20	During DHW heating, the boiler water temperature is up to 20 K higher than the set DHW temperature	60:5 to 60:25	The differential between the boiler water temperature and the set DHW temperature is adjustable from 5 to 25 K
62:2	Circulation pump with 2 min run-on time after cylinder heating	62:0	No circulation pump run-on
		62:1 to 62:15	Run-on time adjustable from 1 to 15 min
63:0	Without auxiliary function for DHW heating (only for constant temperature control units)	63:1	Auxiliary function: 1 x daily
		63:2	Every 2 days to every 14 days

DHW/group "3" (cont.)

Coding in the delivered condition		Possible change	
		to 63:14	
		63:15	2 x daily
65:0	Never adjust		
67:40	For solar DHW heating: set DHW temperature 40 °C. Reheating is suppressed above the selected set temperature: boiler only starts as backup if the rise in the DHW temperature is too low.	67:0 to 67:95	Set DHW temperature adjustable from 0 to 95 °C (limited by boiler-specific parameters)
6F:...	Max. heating output for DHW heating in %, specified by the coding card	6F:0 to 6F:100	Max. heating output for DHW heating adjustable from min. heating output to 100 %
71:0	DHW circulation pump: "ON" according to time program (only for weather-compensated control units)	71:1	"OFF" during DHW heating to set value 1
		71:2	"ON" during DHW heating to set value 1
72:0	DHW circulation pump: "ON" according to time program (only for weather-compensated control units)	72:1	"OFF" during DHW heating to set value 2
		72:2	"ON" during DHW heating to set value 2
73:0	DHW circulation pump: "ON" according to time program (only for weather-compensated control units)	73:1 to 73:6	"ON" from once per hour for 5 min up to 6 times per hour for 5 min during the time program
		73:7	Permanently "ON"

Solar/group "4"

Select **"Solar"** for weather-compensated control units (see page 56).
Select **"4"** for constant temperature control units (see page 56).

Note

The solar group is only displayed if a solar control module, type SM1, is connected.

Coding

Coding in the delivered condition		Possible change	
00:8	Start temperature differential for solar circuit pump 8 K	00:2 to 00:30	Start temperature differential adjustable from 2 to 30 K
01:4	Stop temperature differential for solar circuit pump 4 K	01:1 to 01:29	Stop temperature differential adjustable from 1 to 29 K
02:0	Solar circuit pump is not speed-controlled	02:1	Solar circuit pump is speed-controlled with wave packet control
		02:2	Solar circuit pump is speed-controlled with PWM control
03:10	Temperature differential for the start of speed control 10 K	03:5 to 03:20	Temperature differential adjustable from 5 to 20 K
04:4	Controller amplification of speed control 4 %/K	04:1 to 04:10	Controller amplification adjustable from 1 to 10 %/K

Solar/group "4" (cont.)

Coding in the delivered condition		Possible change	
05:10	Min. speed of the solar circuit pump 10 % of max. speed	05:2 to 05:100	Min. speed of the solar circuit pump is adjustable from 2 to 100 %
06:75	Max. speed of the solar circuit pump 75 % of max. possible speed	06:1 to 06:100	Max. speed of the solar circuit pump is adjustable from 1 to 100 %
07:0	Interval function of the solar circuit pump switched off	07:1	Interval function of the solar circuit pump switched on To capture the collector temperature more accurately, the solar circuit pump periodically starts for a short duration.
08:60	Set DHW temperature (maximum cylinder temperature) 60 °C	08:10 to 08:90	Set DHW temperature adjustable from 10 to 90 °C
09:130	Maximum collector temperature (to protect system components) 130 °C	09:20 to 09:200	Temperature adjustable from 20 to 200 °C
0A:5	Temperature differential for stagnation time reduction 5 K Reduction in the speed of the solar circuit pump to protect system components and heat transfer medium.	0A:0	Stagnation time reduction disabled
		0A:1 to 0A:40	Temperature differential adjustable from 1 to 40 K
0b:0	Frost protection function for solar circuit switched off	0b:1	Frost protection function for solar circuit switched on (not required with Viessmann heat transfer medium)
0C:1	Delta T monitoring switched on No flow rate captured in the solar circuit, or flow rate too low.	0C:0	Delta T monitoring switched off.
0d:1	Night-time DHW circulation monitoring switched on. Unintentional flow in the solar circuit is captured (e.g. at night).	0d:0	Night-time DHW circulation monitoring switched off
0E:1	Heat statement in conjunction with Viessmann heat transfer medium.	0E:2	Never adjust
		0E:0	No heat statement
0F:70	Solar circuit flow rate at maximum pump speed 7 l/min	0F:1 to 0F:255	Flow rate adjustable from 0.1 to 25.5 l/min 1 step \approx 0.1 l/min
10:0	Target temperature control switched off (see coding address "11").	10:1	Target temperature control switched on.
11:50	Set solar DHW temperature 50 °C <ul style="list-style-type: none"> ▪ Target temperature control switched on (code "10:1"): temperature at which the solar heated water is to be stratified into the DHW cylinder. ▪ If code "20:9" (heating of two DHW cylinders) is set: When one DHW cylinder reaches its set DHW temperature, the second DHW cylinder is heated. 	11:10 to 11:90	The set solar DHW temperature is adjustable from 10 to 90 °C

Solar/group "4" (cont.)

Coding in the delivered condition		Possible change	
12:10	Minimum collector temperature (minimum start temperature for the solar circuit pump) 10 °C	12:0	No minimum limit enabled
		12:1 to 12:90	Minimum collector temperature adjustable from 1 to 90 °C
20:0	No extended control function enabled	20:1	Auxiliary function for DHW heating
		20:2	Differential temperature control 2
		20:3	Differential temperature control 2 and auxiliary function
		20:4	Differential temperature control 2 for central heating backup
		20:5	Thermostat function
		20:6	Thermostat function and auxiliary function
		20:7	Solar heating via external heat exchanger without additional temperature sensor
		20:8	Solar heating via external heat exchanger with additional temperature sensor
20:9	Solar heating of 2 DHW cylinders		
22:8	Start temperature differential for central heating backup 8 K (code "20:4" must be set)	22:2 to 22:30	Start temperature differential adjustable from 2 to 30 K
23:4	Stop temperature differential for central heating backup 4 K (code "20:4" must be set).	23:2 to 23:30	Stop temperature differential adjustable from 1 to 29 K.
24:40	Start temperature for thermostat function 40 °C (code "20:5" or "20:6" must be set).	24:0 to 24:100	Start temperature for thermostat function adjustable from 0 to 100 K
25:50	Stop temperature for thermostat function 50 °C (code "20:5" or "20:6" must be set)	25:0 to 25:100	Stop temperature for thermostat function adjustable from 0 to 100 K
26:1	Priority for DHW cylinder 1 with cyclical heating (code "20:9" must be set)	26:0	Priority for DHW cylinder 1 without cyclical heating
		26:2	Priority for DHW cylinder 2 without cyclical heating
		26:3	Priority for DHW cylinder 2 with cyclical heating
		26:4	Cyclical heating without priority for any of the DHW cylinders
27:15	Cyclical heating time 15 min Once the DHW cylinder with priority is heated up, the DHW cylinder without priority is heated for a maximum duration equal to the set cyclical heating time.	27:5 to 27:60	The cyclical heating time is adjustable from 5 to 60 min
28:3	Cyclical pause time 3 min. After the set cyclical heating time for the DHW cylinder without priority has expired, the rise in collector temperature is captured during the cyclical pause time.	28:1 to 28:60	Cyclical pause time adjustable from 1 to 60 min

Heating circuit 1, heating circuit 2, heating circuit 3/group "5"

Select **"Heating circuit ..."** for weather-compensated control units (see page 56).

Select **"5"** for constant temperature control units (see page 56).

Coding

Coding in the delivered condition		Possible change	
A0:0	Without remote control	A0:1	With Vitotrol 200-A/200-RF (automatic recognition)
		A0:2	With Vitotrol 300-A/300-RF or Vitocomfort 200 (automatic recognition)
A1:0	All possible settings at the remote control can be accessed	A1:1	Only party mode can be set at the remote control (only for Vitotrol 200-A/200-RF)
A2:2	Cylinder priority applicable to heating circuit pump and mixer	A2:0	Without cylinder priority applicable to heating circuit pump and mixer
		A2:1	Cylinder priority only applicable to mixer
		A2:3 to A2:15	Reduced priority applicable to mixer (the heating circuit receives a reduced amount of energy)
A3:2	Outside temperature below 1 °C: Heating circuit pump "ON" Outside temperature above 3 °C: Heating circuit pump "OFF"	A3:-9 to A3:15	Heating circuit pump "ON/OFF" (see the following table)



Please note

With settings below 1 °C there is a risk that pipes outside the thermal envelope of the building could freeze up.

Standby mode in particular must be taken into consideration, e.g. during holidays.

Parameter address A3:...	Heating circuit pump	
	"ON"	"OFF"
-9	-10 °C	-8 °C
-8	-9 °C	-7 °C
-7	-8 °C	-6 °C
-6	-7 °C	-5 °C
-5	-6 °C	-4 °C
-4	-5 °C	-3 °C
-3	-4 °C	-2 °C
-2	-3 °C	-1 °C
-1	-2 °C	0 °C
0	-1 °C	1 °C
1	0 °C	2 °C
2 to 15	1 °C to 14 °C	3 °C to 16 °C

Coding in the delivered condition		Possible change	
A4:0	With frost protection (only for weather-compensated control units)	A4:1	No frost protection; this setting is only possible if code "A3:-9" has been selected.

Heating circuit 1, heating circuit 2, heating... (cont.)

Coding in the delivered condition		Possible change	
			Note "Important": observe for code "A3".
A5:5	With heating circuit pump logic function (economy control): Heating circuit pump "OFF" when the outside temperature (OT) is 1 K higher than the set room temperature (RT_{set}) $OT > RT_{set} + 1$ K (only for weather-compensated control units)	A5:0	Without heating circuit pump logic function
		A5:1 to A5:15	With heating circuit pump logic function: heating circuit pump "OFF"; see following table

Parameter address A5:...	With heating circuit pump logic function: Heating circuit pump "OFF"
1	$OT > RT_{set} + 5$ K
2	$OT > RT_{set} + 4$ K
3	$OT > RT_{set} + 3$ K
4	$OT > RT_{set} + 2$ K
5	$OT > RT_{set} + 1$ K
6	$OT > RT_{set}$
7	$OT > RT_{set} - 1$ K
to	
15	$OT > RT_{set} - 9$ K

Coding in the delivered condition		Possible change	
A6:36	Extended economy control disabled (only for weather-compensated control units)	A6:5 to A6:35	Extended economy mode active The burner and heating circuit pump will stop at a variable value, adjustable between 5 and 35 °C plus 1 °C. Mixer is being closed. The basis for this is the adjusted outside temperature. This is composed of the actual outside temperature and a time constant that takes account of the way an average building cools down.
A7:0	Without mixer economy function Only for weather-compensated control units and heating circuits with mixer	A7:1	With mixer economy function (extended heating circuit pump logic): Heating circuit pump also "OFF": <ul style="list-style-type: none"> ▪ If the mixer has been trying to close for longer than 20 min. Heating circuit pump "ON": <ul style="list-style-type: none"> ▪ If the mixer changes to control function ▪ If there is a risk of frost
A8:1	Heating circuit with mixer creates a demand for the boiler circuit pump (only for weather-compensated control units)	A8:0	Heating circuit with mixer creates no demand for the boiler circuit pump
A9:7	With pump idle time: Heating circuit pump "OFF" if the set value is altered through a change in operating mode or in the set room temperature (only for weather-compensated control units)	A9:0	Without pump idle time
		A9:1 to A9:15	With pump idle time, adjustable from 1 to 15. The higher the value, the longer the pump idle time.

Heating circuit 1, heating circuit 2, heating... (cont.)

Coding in the delivered condition		Possible change	
b0:0	With remote control: Heating mode/reduced mode: Weather-compensated (only for weather-compensated control units; change the code only for the heating circuit with mixer)	b0:1	Heating mode: Weather-compensated Reduced mode: With room temperature hook-up
		b0:2	Heating mode: With room temperature hook-up Reduced mode: Weather-compensated
		b0:3	Heating mode/reduced mode: With room temperature hook-up
b2:8	With remote control, and for the heating circuit, operation with room temperature hook-up must be programmed: Room influence factor 8 (only for weather-compensated control units; only change the code for the heating circuit with mixer)	b2:0	Without room influence
		b2:1 to b2:64	Room influence factor adjustable from 1 to 64. The higher the value, the greater the room influence.
b5:0	With remote control: No room temperature-dependent heating circuit pump logic function (only for weather-compensated control units; only change the code for the heating circuit with mixer)	b5:1 to b5:8	For heating circuit pump logic function, see the following table:

Parameter address b5:...	With heating circuit pump logic function:	
	Heating circuit pump "OFF"	Heating circuit pump "ON"
1	$RT_{\text{actual}} > RT_{\text{set}} + 5 \text{ K}$	$RT_{\text{actual}} < RT_{\text{set}} + 4 \text{ K}$
2	$RT_{\text{actual}} > RT_{\text{set}} + 4 \text{ K}$	$RT_{\text{actual}} < RT_{\text{set}} + 3 \text{ K}$
3	$RT_{\text{actual}} > RT_{\text{set}} + 3 \text{ K}$	$RT_{\text{actual}} < RT_{\text{set}} + 2 \text{ K}$
4	$RT_{\text{actual}} > RT_{\text{set}} + 2 \text{ K}$	$RT_{\text{actual}} < RT_{\text{set}} + 1 \text{ K}$
5	$RT_{\text{actual}} > RT_{\text{set}} + 1 \text{ K}$	$RT_{\text{actual}} < RT_{\text{set}}$
6	$RT_{\text{actual}} > RT_{\text{set}}$	$RT_{\text{actual}} < RT_{\text{set}} - 1 \text{ K}$
7	$RT_{\text{actual}} > RT_{\text{set}} - 1 \text{ K}$	$RT_{\text{actual}} < RT_{\text{set}} - 2 \text{ K}$
8	$RT_{\text{actual}} > RT_{\text{set}} - 2 \text{ K}$	$RT_{\text{actual}} < RT_{\text{set}} - 3 \text{ K}$

Coding in the delivered condition		Possible change	
C5:20	Electronic minimum flow temperature limit 20 °C (only for weather-compensated control units)	C5:1 to C5:127	Minimum limit adjustable from 1 to 127 °C (limited by boiler-specific parameters)
C6:74	Electronic maximum flow temperature limit 74 °C (only for weather-compensated control units)	C6:10 to C6:127	Maximum limit adjustable from 10 to 127 °C (limited by boiler-specific parameters)
d3:14	Heating curve slope = 1.4	d3:2 to d3:35	Heating curve slope adjustable from 0.2 to 3.5 (see page 42)
d4:0	Heating curve level = 0	d4:-13 to d4:40	Heating curve level adjustable from -13 to 40 (see page 42)

Heating circuit 1, heating circuit 2, heating... (cont.)

Coding in the delivered condition		Possible change	
d5:0	The external operating program changeover switches the operating program to "Constant operation with reduced room temperature" or "Standby mode" (only for weather-compensated control units)	d5:1	External operating program changeover switches to "Constant operation at standard room temperature" (subject to coding addresses 3A, 3b and 3C)
d6:0	Heating circuit pump stays in control mode at "External blocking" signal	d6:1	Heating circuit pump stops at "External blocking" signal (subject to coding addresses 3A, 3b and 3C)
		d6:2	Heating circuit pump starts at "External blocking" signal (subject to coding addresses 3A, 3b and 3C)
d7:0	Heating circuit pump stays in control mode at "External demand" signal	d7:1	Heating circuit pump stops at "External demand" signal (subject to coding addresses 3A, 3b and 3C)
		d7:2	Heating circuit pump starts at "External demand" signal (subject to coding addresses 3A, 3b and 3C)
d8:0	No operating program changeover via EA1 extension	d8:1	Operating program changeover via input DE1 at EA1 extension
		d8:2	Operating program changeover via input DE2 at EA1 extension
		d8:3	Operating program changeover via input DE3 at EA1 extension
E1:1	Never adjust		
E2:50	With remote control: No display correction for the actual room temperature (only for weather-compensated control units)	E2:0 to E2:49	Display correction -5 K to Display correction -0.1 K
		E2:51 to E2:99	Display correction +0.1 K to Display correction +4.9 K
E5:0	Never adjust		
E6:...	Maximum speed of the variable speed heating circuit pump in % of the max. speed in standard mode. Value is specified by boiler-specific parameters (only for weather-compensated control units).	E6:0 to E6:100	Maximum speed adjustable from 0 to 100 %
E7:30	Minimum speed of the variable speed heating circuit pump: 30 % of max. speed (only for weather-compensated control units)	E7:0 to E7:100	Minimum speed adjustable from 0 to 100 % of maximum speed
F1:0	Screed drying disabled (only for weather-compensated control units).	F1:1 to F1:6	Screed drying adjustable with choice of 6 temperature/time profiles (see page 114)
		F1:15	Constant flow temperature 20 °C
F2:8	Time limit for party mode or external operating program changeover via pushbutton: 8 h (only for weather-compensated control units)* ¹	F2:0	No time limit for party mode* ¹
		F2:1 to F2:12	Time limit adjustable from 1 to 12 h* ¹

*¹ In the "Heating and DHW" program, party mode ends **automatically** when the system changes over to operation with standard room temperature.

Heating circuit 1, heating circuit 2, heating... (cont.)

Coding in the delivered condition		Possible change	
F5:12	Boiler circuit pump run-on time in heating mode: 12 min (only for constant temperature control units)	F5:0	No boiler circuit pump run-on time
		F5:1 to F5:20	Run-on time of the boiler circuit pump adjustable from 1 to 20 min
F6:25	In "Only DHW" mode, the boiler circuit pump is constantly on (only for constant temperature control units)	F6:0	In "Only DHW" mode, the boiler circuit pump is constantly off
		F6:1 to F6:24	In "Only DHW" mode, the boiler circuit pump is started 1 to 24 times per day for 10 min each time.
F7:25	In "Standby mode", the boiler circuit pump is constantly on (only for constant temperature control units)	F7:0	In "Standby mode", the boiler circuit pump is constantly off
		F7:1 to F7:24	In "Standby mode", the boiler circuit pump is started 1 to 24 times per day for 10 min each time.
F8:-5	Temperature limit for terminating reduced mode -5 °C, see example on page 116. Observe setting for coding address "A3". (Only for weather-compensated control units)	F8:+10 to F8:-60	Temperature limit adjustable from +10 to -60 °C
		F8:-61	Function disabled
F9:-14	Temperature limit for raising the reduced set room temperature -14 °C; see example on page 116 (only for weather-compensated control units).	F9:+10 to F9:-60	Temperature limit for raising the set room temperature to the value selected for standard mode adjustable from +10 to -60 °C
FA:20	Raising the set boiler water or flow temperature by 20 % when changing from operation with reduced room temperature to operation with standard room temperature. See example on page 116 (only for weather-compensated control units).	FA:0 to FA:50	Temperature rise adjustable from 0 to 50 %
Fb:60	Duration for raising the set boiler water temperature or set flow temperature (see coding address "FA") 60 min. See example on page 116 (only for weather-compensated control units).	Fb:0 to Fb:240	Duration adjustable from 0 to 240 min

Service level

Weather-compensated control unit

Constant temperature control unit

Calling up the service level

Service menu:

1. Press **OK** and **≡**: simultaneously for approx. 4 s.
2. Select required menu. See the following diagram.

Service menu:

1. Press **OK** and **≡**: simultaneously for approx. 4 s.
"🔧" flashes on the display.
2. Select required function. See the following pages.

Exiting the service level

Service menu:

1. Select "**Terminate service?**".
2. Select "**Yes**".
3. Confirm with **OK**.

Service menu:

1. Select "**Serv**" ⑦ with ▶.
2. Confirm with **OK**.
"OFF" flashes.
3. Confirm with **OK**.

Note

The system exits the service level automatically after 30 min.

Note

The system exits the service level automatically after 30 min.

Overview of service menu for weather-compensated mode

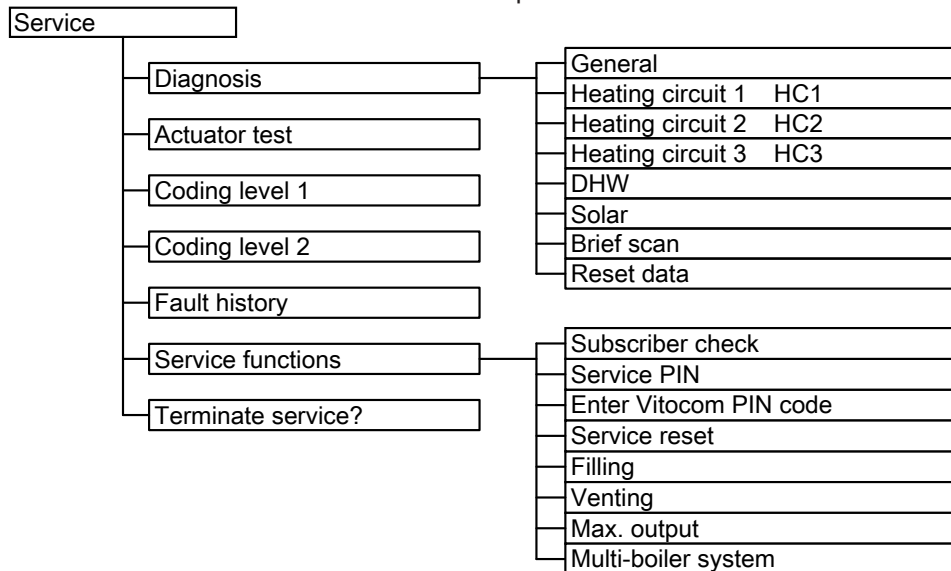


Fig. 38

Note

Do **not** adjust menu item "**Multi-boiler system**".
The menu item turns a weather-compensated control unit into a constant temperature control unit.

Diagnosis

Operating data

Weather-compensated control unit

Constant temperature control unit

Calling up operating data

- Operating data can be scanned in six areas. See "**Diagnosis**" in the service menu overview.
- Operating data on heating circuits with mixers and solar can only be called up if the components are installed in the system.
- For further information on operating data, see chapter "Brief scan".

- Operating data can be called up in the "**i**" menu.
- For further information on operating data, see chapter "Brief scan".

Calling up operating data

Service menu:

1. Press **OK** and **≡** simultaneously for approx. 4 s.
2. "**Diagnosis**"
3. Select required group, e.g. "**General**".

Note

"- - -" appears on the display if a sensor that has been scanned is faulty.

Service menu:

1. Press **OK** and **≡** simultaneously for approx. 4 s.
2. Select required information with **▲/▼**.

Note

"- - -" appears on the display if a sensor that has been scanned is faulty.

Resetting operating data

Saved operating data (e.g. hours run) can be reset to "0".

The value "Adjusted outside temp" is reset to the actual value.

Service menu:

1. Press **OK** and **≡** simultaneously for approx. 4 s.
2. "**Diagnosis**"
3. "**Reset data**"
4. Select required value (e.g. "**Burner starts**") or "**All details**".

Saved operating data (e.g. hours run) can be reset to "0".

Service menu:

1. Press **OK** and **≡** simultaneously for approx. 4 s.
2. Select required information with **▲/▼**.
3. Confirm with **OK**; "i" flashes.
4. Confirm with **OK**; the value is reset.

Brief scan

In the brief scan, you can scan temperatures or call up software versions and connected components, for example.

4. Press **OK**.
The display shows 9 lines with 6 fields each.

Weather-compensated control unit

1. Press **OK** and **≡** simultaneously for approx. 4 s.
2. "**Diagnosis**"
3. "**Brief scan**".

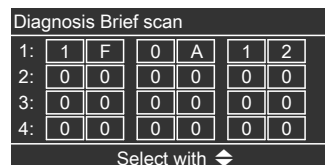


Fig. 39


For an explanation of the relevant values in the individual rows and fields, see the following table:


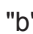
Row (brief scan)	Field					
	1	2	3	4	5	6
1:	System scheme 01 to 10		Software version Control unit		Software version Programming unit	
2:	0	0	Appliance version		Appliance ID CU-ID	
3:	0		Number of KM-BUS subscribers		Software version solar control module SM1	

Diagnosis (cont.)

Row (brief scan)	Field					
	1	2	3	4	5	6
4:	Software version Burner control unit		Type Burner control unit		Burner control unit version	
5:	Internal details for calibration			0	Software version, AM1 extension	Software version, EA1 extension
6:	0	0	0	Flow sensor switching state 1: Flow rate too low or not present	0	0
7:	LON Subnet address/system number		LON Node address		0	
8:	LON SBVT configuration	LON Software version, communication coprocessor	LON Software version, neuron chip		Number of LON subscribers	
9:	Heating circuit A1 (without mixer) Remote control 0: Without 1: Vitotrol 200-A/ 200-RF 2: Vitotrol 300-A/ 300-RF or Vitocomfort		Heating circuit M2 (with mixer) Remote control 0: Without 1: Vitotrol 200-A/ 200-RF 2: Vitotrol 300-A/ 300-RF or Vitocomfort		Heating circuit M3 (with mixer) Remote control 0: Without 1: Vitotrol 200-A/ 200-RF 2: Vitotrol 300-A/ 300-RF or Vitocomfort	
10:	0	0	0	0	0	0
11:	0	0	Software version Mixer extension, heating circuit M2 0: No mixer extension	0	Software version Mixer extension, heating circuit M3 0: No mixer extension	0

Constant temperature control unit

1. Press **OK** and  simultaneously for approx. 4 s. "P" flashes on the display.
2. Confirm with **OK**.

3. Select the required scan with /. For example, "b" for "Max. output" (see following table):
4. Confirm selected scan with **OK**.

Diagnosis (cont.)

For explanations of individual scans, see the following table:

Brief scan	Display				
0		System scheme 1 to 2	Software version Control unit	Software version Programming unit	
1			Adjusted outside temperature		
3			Set boiler water temperature		
4			Common demand temperature		
5			Set cylinder temperature		
6		Number of KM-BUS subscribers	Number of LON subscribers		
7	SNVT configuration 0: Auto 1: Tool	Software version Communication coprocessor	Software version LON communication module		
8		Subnet address/system number	Node address		
9		Burner control unit type	Device type		
A		Flow switch switching state 1: Flow rate too low or not present	Max. heating output in %		
b		Coding card (hexadecimal)			
c		Flow rate (specified in l/h)			
C		Version Device	Version Burner control unit		
d			0	0	
E ①	Software version Solar control module, type SM1	Software version Burner control unit		Software version LON cascade communication module	
F ①	Code 53 setting	Internal details for calibration			
AM1 extension					
F ②	Software version	Output A1 configuration (value corresponds to code 33 setting)	Output A1 switching state 0: OFF 1: ON	Output A2 configuration (value corresponds to code 34 setting)	Output A2 switching state 0: OFF 1: ON
EA1 extension					
F ③	Output 157 configuration (value corresponds to setting of code 36 in group 1 "General")	Output 157 switching state 0: OFF 1: ON	Input DE1 switching state 0: Open 1: Closed	Input DE2 switching state 0: Open 1: Closed	Input DE3 switching state 0: Open 1: Closed
F ④	Software version		External hook-up 0 - 10 V Display in %		
Solar control module SM1					
F ⑤	Stagnation time of the solar thermal system in h				



Diagnosis (cont.)

Brief scan	Display				
F ⑥	Night circulation, solar thermal system (number)				
F ⑦	Differential temperature monitoring				
F ⑧				Solar central heating backup 0: Disabled 1: Enabled	Output 22 switching state 0: OFF 1: ON
OpenTherm extension (if installed)					
F ⑨	Software version	DHW heating status	External hook-up 0 - 10 V Display in %		

Checking outputs (relay test)

Weather-compensated control unit

1. Press **OK** and simultaneously for approx. 4 s.
2. **"Actuator test"**

The following relay outputs can be controlled subject to system design:

Display		Explanation
All actuators	Off	All actuators are off
Base load	On	Burner operated at minimum output; circulation pump is started
Full load	On	Burner operated at maximum output; circulation pump is started
Output, internal	On	Output active (boiler circuit pump)
Output 21/28	On	Output active (circulation pump for cylinder heating)
Heating circ pump HC2	On	Heating circuit pump output enabled (extension to heating circuit with mixer)
Mixer HC2	Open	"Mixer open" output enabled (extension to heating circuit with mixer)
Mixer HC2	Close	"Mixer close" output enabled (extension to heating circuit with mixer)
Heating circ pump HC3	On	Heating circuit pump output enabled (extension to heating circuit with mixer)
Mixer HC3	Open	"Mixer open" output enabled (extension to heating circuit with mixer)
Mixer HC3	Close	"Mixer close" output enabled (extension to heating circuit with mixer)
Outp. int. exten. H1	On	Output at internal extension enabled
AM1 output 1	On	Output A1 at extension AM1 enabled
AM1 output 2	On	Output A2 at extension AM1 enabled
EA1 output 1	On	Contact P - S at plug of extension EA1 closed
Solar circuit pump	On	Solar circuit pump output on solar control module SM1 active
Solar circ pmp min	On	Solar circuit pump output on solar control module SM1 switched to minimum speed
Solar circ pmp max	On	Solar circuit pump output on solar control module SM1 switched to maximum speed
SM1 output 22	On	Output on solar control module SM1 active

Constant temperature control unit

1. Press **OK** and simultaneously for approx. 4 s.
2. Select "" with and confirm with **OK**. "" flashes on the display.

Checking outputs (relay test) (cont.)

3. Select required actuator (output) with ▲/▼ (see following table):
4. Confirm selected actuator with **OK**.
The display shows the number for the activated actuator and "ON".

The following actuators (relay outputs) can be controlled subject to system design:

Display	Explanation
0	All actuators are off
1	Burner operated at minimum output; circulation pump is started
2	Burner operated at maximum output; circulation pump is started
3	Output [20] active (boiler circuit pump)
10	Internal extension output enabled
15	Solar circuit pump output [24] on solar control module SM1 active
16	Solar circuit pump output on solar control module SM1 switched to minimum speed
17	Solar circuit pump output on solar control module SM1 switched to maximum speed
18	Output [22] on solar control module SM1 active
19	Contact P - S at plug [157] of extension EA1 closed
20	Output A1 at extension AM1 enabled
21	Output A2 at extension AM1 enabled
22	Output [21] active (circulation pump for cylinder heating)

Fault display

Weather-compensated control unit

In the event of a fault, red fault indicator (A) flashes. "△" flashes on the display and "Fault" is shown.

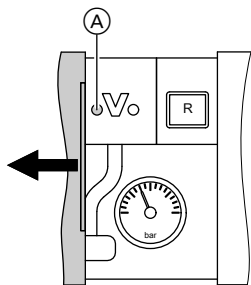


Fig. 40

Press **OK** to display the fault code. For an explanation of the fault code, see the following pages. For some faults, the type of fault is also displayed in plain text.

Acknowledging a fault

Follow the instructions on the display.

Note

- The fault message is transferred to the standard menu.
- Any fault message facility connected will be switched off.
- If an acknowledged fault is not remedied, the fault message will be redisplayed the following day and the fault message facility restarted.

Constant temperature control unit

In the event of a fault, red fault indicator (A) flashes. The 2-digit fault code and (subject to the type of fault) "△" or "⚡" flash on the programming unit display.

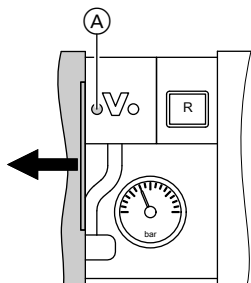


Fig. 41

Other current faults can be displayed with ▲/▼. For an explanation of the fault codes, see the following pages.

Calling up acknowledged faults

Select **"Fault"** in the standard menu. Current faults will be listed.

Calling up fault codes from the fault memory (fault history)

The 10 most recent faults (including those remedied) are saved and can be called up. Faults are sorted by date.

1. Press **OK** and **≡** simultaneously for approx. 4 s.
2. **"Fault history"**
3. **"Display?"**

Deleting the fault history

1. Press **OK** and **≡** simultaneously for approx. 4 s.
2. **"Fault history"**
3. **"Delete?"**

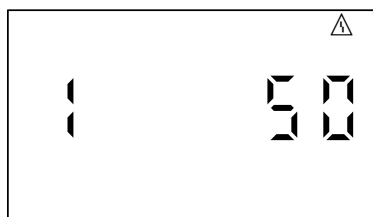


Fig. 42 Example: Fault message "50"

Acknowledging a fault

Press **OK**. The default display reappears on the display screen.

Any fault message facility connected will be switched off.

If an acknowledged fault is not remedied, the fault message will be redisplayed the following day and the fault message facility restarted.



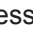
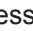
Fault display (cont.)

Calling up acknowledged faults


Hold down **OK** for approx. 4 s.
The 10 most recent faults (including those remedied) are saved and can be called up.

Calling up fault codes from the fault memory (fault history)


The 10 most recent faults (including those remedied) are saved and can be called up.
Faults are sorted by date.

1. Press **OK** and  simultaneously for approx. 4 s.
2. Select "" and enable fault history with **OK**.
3. Select fault messages with /.

Deleting the fault history

While the list is displayed, press **OK** until  flashes.
Confirm with **OK**.


Fault codes

Fault code displayed	Const.	Weather-comp.	System characteristics	Cause	Measures
10	X	X	Regulates as if the outside temperature were 0 °C	Short circuit, outside temperature sensor	Check outside temperature sensor (see page 87)
18	X	X	Regulates as if the outside temperature were 0 °C	Lead break, outside temperature sensor	Check outside temperature sensor (see page 87)
19	X	X	Regulates as if the outside temperature were 0 °C	Communication interruption, outside temperature sensor RF: Outside temperature sensor RF, KM-BUS to wireless base station, wireless base station or wireless repeater faulty or defective.	Check wireless connection: Place outside temperature sensor RF and wireless repeater close to the boiler. Check KM-BUS to wireless base station. Forget outside temperature sensor and wireless repeater, then pair again.  Wireless base station Replace outside temperature sensor RF. Replace wireless repeater. Replace wireless base station.
20	X	X	Regulates without flow temperature sensor (low loss header)	Short circuit, system flow temperature sensor	Check low loss header sensor (see page 88)
28	X	X	Regulates without flow temperature sensor (low loss header)	Lead break, system flow temperature sensor	Check low loss header sensor (see page 88) If no low loss header sensor is connected, set code 52:0.
30	X	X	Burner blocked	Short circuit, boiler water temperature sensor	Check boiler water temperature sensors (see page 88)

Fault codes (cont.)

Fault code displayed	Const.	Weather-comp.	System characteristics	Cause	Measures
38	X	X	Burner blocked	Lead break, boiler water temperature sensor	Check boiler water temperature sensors (see page 88)
40		X	Mixer being closed	Short circuit, flow temperature sensor, heating circuit 2 (with mixer)	Check flow temperature sensor (see page 91)
44		X	Mixer being closed	Short circuit, flow temperature sensor, heating circuit 3 (with mixer)	Check flow temperature sensor (see page 91)
48		X	Mixer being closed	Lead break, flow temperature sensor, heating circuit 2 (with mixer)	Check flow temperature sensor (see page 91)
4C		X	Mixer being closed	Lead break, flow temperature sensor, heating circuit 3 (with mixer)	Check flow temperature sensor (see page 91)
50	X	X	No DHW heating by the boiler	Short circuit, cylinder temperature sensor	Check cylinder temperature sensor (see page 88)
58	X	X	No DHW heating	No DHW heating by the boiler	Check cylinder temperature sensor (see page 88)
90	X	X	Control mode	Short circuit, temperature sensor 7	Check sensor 7 on solar control module.
91	X	X	Control mode	Short circuit, temperature sensor 10	Check sensor 10 on solar control module.
92	X	X	No solar DHW heating	Short circuit, collector temperature sensor	Check temperature sensor 6 on solar control module or sensor on the Vitosolic.
93	X	X	Control mode	Short circuit, cylinder temperature sensor	Check temperature sensor at connection S3 on the Vitosolic.
94	X	X	No solar DHW heating	Short circuit, cylinder temperature sensor	Check temperature sensor 5 on solar control module or sensor on the Vitosolic.
98	X	X	Control mode	Lead break, temperature sensor 7	Check sensor 7 on solar control module.
99	X	X	Control mode	Lead break, temperature sensor 10	Check sensor 10 on solar control module.
9A	X	X	No solar DHW heating	Lead break, collector temperature sensor	Check temperature sensor 6 on solar control module or sensor on the Vitosolic.
9b	X	X	Control mode	Lead break, cylinder temperature sensor	Check temperature sensor at connection S3 on the Vitosolic.

Fault codes (cont.)

Fault code displayed	Const.	Weather-comp.	System characteristics	Cause	Measures
9C	X	X	No solar DHW heating	Lead break, cylinder temperature sensor	Check temperature sensor  on solar control module or sensor on the Vitosolic.
9E	X	X	Control mode	No flow rate in solar circuit or flow rate too low, or temperature limiter has responded	Check solar circuit pump and solar circuit. Acknowledge fault message.
9F	X	X	Control mode	Solar control module or Vitosolic fault	Replace solar control module or Vitosolic
A3		X	Burner blocked	Flue gas temperature sensor incorrectly positioned	Fit flue gas temperature sensor correctly (see page 88).
A4		X	Control mode	Max. system pressure exceeded	Check system pressure: max. 3 bar (0.3 MPa) Check the function and sizing of the diaphragm expansion vessel. Vent the heating system.
A7		X	Control mode as per delivered condition	Programming unit faulty	Replace programming unit
b0	X	X	Burner blocked	Short circuit, flue gas temperature sensor	Checking the flue gas temperature sensor
b1	X	X	Control mode as per delivered condition	Communication error, programming unit	Check connections and replace programming unit if required
b5	X	X	Control mode as per delivered condition	Internal fault	Replace the control unit
b7	X	X	Burner blocked	Coding card fault	Plug in coding card or replace if faulty
b8	X	X	Burner blocked	Lead break, flue gas temperature sensor	Checking the flue gas temperature sensor
bA		X	Mixer regulates to 20 °C flow temperature.	Communication error, extension kit for heating circuit 2 (with mixer)	Check extension kit connections and code.
bb		X	Mixer regulates to 20 °C flow temperature.	Communication error, extension kit for heating circuit 3 (with mixer)	Check extension kit connections and code.



Fault codes (cont.)

Fault code displayed	Const.	Weather-comp.	System characteristics	Cause	Measures
bC		X	Control mode without remote control	Communication error, Vitotrol remote control, heating circuit 1 (without mixer)	Check connections, cable, coding address "A0" in the "Heating circuit" group and remote control settings (see page 117). For wireless remote controls: Check radio path connections, place remote control unit and wireless repeater close to the boiler. Check KM-BUS connection to wireless base station. Replace the wireless components.
bd		X	Control mode without remote control	Communication error, Vitotrol remote control, heating circuit 2 (with mixer)	Check connections, cable, coding address "A0" in the "Heating circuit" group and remote control settings (see page 117). For wireless remote controls: Check radio path connections, place remote control unit and wireless repeater close to the boiler. Check KM-BUS connection to wireless base station. Replace the wireless components.
bE		X	Control mode without remote control	Communication error, Vitotrol remote control, heating circuit 3 (with mixer)	Check connections, cable, coding address "A0" in the "Heating circuit" group and remote control settings (see page 117). For wireless remote controls: Check radio path connections, place remote control unit and wireless repeater close to the boiler. Check KM-BUS connection to wireless base station. Replace the wireless components.
bF		X	Control mode	Incorrect LON communication module	Replace LON communication module
C1	X	X	Control mode	Communication error, EA1 extension	Check connections
C2	X	X	Control mode	Communication error, solar control module or Vitosolic	Check solar control module or Vitosolic
C3	X	X	Control mode	Communication error, AM1 extension	Check connections
C4	X	X	Control mode	Communication error, OpenTherm extension	Check OpenTherm extension

Fault codes (cont.)

Fault code displayed	Const.	Weather-comp.	System characteristics	Cause	Measures
Cd	X	X	Control mode	Communication error, Vitocom 100, type GSM	Check connections, Vitocom 100, type GSM and coding address "95" in the "General"/1 group
CF		X	Control mode	Communication error, LON communication module	Replace LON communication module
d6	X	X	Control mode	Input DE1 at EA1 extension reports a fault	Remove fault at appliance concerned
d7	X	X	Control mode	Input DE2 at EA1 extension reports a fault	Remove fault at appliance concerned
d8	X	X	Control mode	Input DE3 at EA1 extension reports a fault	Remove fault at appliance concerned
dA		X	Control mode without room influence	Short circuit, room temperature sensor, heating circuit 1 (without mixer)	Check room temperature sensor, heating circuit 1
db		X	Control mode without room influence	Short circuit, room temperature sensor, heating circuit 2 (with mixer)	Check room temperature sensor, heating circuit 2
dC		X	Control mode without room influence	Short circuit, room temperature sensor, heating circuit 3 (with mixer)	Check room temperature sensor, heating circuit 3
dd		X	Control mode without room influence	Lead break, room temperature sensor, heating circuit 1 (without mixer)	Check room temperature sensor, heating circuit 1 and remote control settings (see page 117)
dE		X	Control mode without room influence	Lead break, room temperature sensor, heating circuit 2 (with mixer)	Check room temperature sensor, heating circuit 2 and remote control settings (see page 117)
dF		X	Control mode without room influence	Lead break, room temperature sensor, heating circuit 3 (with mixer)	Check room temperature sensor, heating circuit 3 and remote control settings (see page 117)
E0		X	Control mode	External LON subscriber error	Check connections and LON subscribers
E1	X	X	Burner in a fault state	Ionisation current too high during calibration	Check gap between ionisation electrode and burner gauze assembly (see page 38). In open flue operation, prevent high levels of dust in the combustion air. Press reset button R .



Fault codes (cont.)

Fault code displayed	Const.	Weather-comp.	System characteristics	Cause	Measures
E2	X	X	Burner in a fault state	Heating water flow rate too low during calibration. Flow switch has shut down.	Ensure adequate circulation volume. Check flow switch. Remove scaling and blockages. Press reset button R .
E3	X	X	Burner in a fault state	Heat transfer too low during calibration Temperature limiter has shut down.	Ensure adequate heat transfer. Press reset button R .
E4	X	X	Burner blocked	24 V power supply fault	Replace control unit.
E5	X	X	Burner blocked	Flame amplifier fault	Replace control unit.
E7	X	X	Burner in a fault state	Ionisation current too low during calibration	Check ionisation electrode: <ul style="list-style-type: none"> ▪ Distance to burner gauze assembly (see page 38) ▪ Electrode soiled ▪ Connecting cable and plug-in connections Check flue system; remove flue gas recirculation if required. Press reset button R .
E8	X	X	Burner in a fault state	Ionisation current lies outside the permissible range	Check gas supply (gas pressure and gas flow switch), gas train and connecting cable. Check assignment of gas type (see page 32). Check ionisation electrode: <ul style="list-style-type: none"> ▪ Distance to burner gauze assembly (see page 38) ▪ Electrode soiled Press reset button R .
EA	X	X	Burner in a fault state	Ionisation current outside permissible range during calibration (excessive deviation from previous level)	Check flue system; remove flue gas recirculation if required. In open flue operation, prevent high levels of dust in the combustion air. Press reset button R . Following several unsuccessful reset attempts, replace the coding card and press reset button R .

Fault codes (cont.)

Fault code displayed	Const.	Weather-comp.	System characteristics	Cause	Measures
Eb	X	X	Burner in a fault state	Repeated flame loss during calibration	Check gap between ionisation electrode and burner gauze assembly (see page 38). Check assignment of gas type (see page 32). Check flue system; remove flue gas recirculation if required. Press reset button R .
EC	X	X	Burner in a fault state	Parameter error during calibration	Press reset button R or Replace coding card and then press reset button R .
Ed	X	X	Burner in a fault state	Internal fault	Replace control unit.
EE	X	X	Burner in a fault state	Flame signal at burner start not present or insufficient.	Check gas supply (gas pressure and gas flow switch). Check gas train. Check ionisation electrode and connecting cable. Check ignition: <ul style="list-style-type: none"> ▪ Connecting cables to ignition module and ignition electrode ▪ Ignition electrode gap and soiling (see page 38). Check condensate drain. Press reset button R .
EF	X	X	Burner in a fault state	Flame is lost immediately after it has built (during safety time).	Check gas supply (gas pressure and gas flow switch). Check balanced flue system for flue gas recirculation. Check ionisation electrode (replace if required): <ul style="list-style-type: none"> ▪ Distance to burner gauze assembly (see page 38) ▪ Electrode soiled Press reset button R .
F0	X	X	Burner blocked	Internal fault	Replace control unit.
F1	X	X	Burner in a fault state	Flue gas temperature limiter has responded.	Check heating system fill level. Vent the system. Press reset button R after flue system has cooled down.



Fault codes (cont.)

Fault code displayed	Const.	Weather-comp.	System characteristics	Cause	Measures
F2	X	X	Burner in a fault state	Boiler water temperature sensor has responded.	Check heating system fill level. Check circulation pump. Vent the system. Check boiler water temperature sensor and connecting cables. Press reset button R .
F3	X	X	Burner in a fault state	Flame signal is already present at burner start.	Check ionisation electrode and connecting cable. Press reset button R .
F6	X	X	Burner in a fault state	Boiler water temperature sensor temperature values vary too widely from one another.	Replace boiler water temperature sensors
F8	X	X	Burner in a fault state	Fuel valve closes too late.	Check gas train. Check both control paths. Press reset button R .
F9	X	X	Burner in a fault state	Fan speed too low during burner start	Check fan, fan connecting cables and power supply to fan; check fan control. Press reset button R .
FA	X	X	Burner in a fault state	Fan idle state not reached	Check fan, fan connecting cables and fan control. Press reset button R .
FC	X	X	Burner in a fault state	Gas train faulty, faulty modulation valve control or flue gas path blocked	Check gas train. Check flue system. Press reset button R .
Fd	X	X	Burner in a fault state and additional fault b7 is displayed	Coding card missing	Insert coding card. Press reset button R . Replace control unit if fault persists.
Fd	X	X	Burner in a fault state	Burner control unit fault	Check ignition electrodes and connecting cables. Check whether a strong interference (EMC) field exists near the appliance. Press reset button R . Replace control unit if fault persists.
FE	X	X	Burner blocked or in a fault state	Coding card or main PCB faulty, or incorrect coding card	Press reset button R . If the fault persists, check the coding card and replace coding card or control unit.
FF	X	X	Burner blocked or in a fault state	Internal fault or reset button R disabled	Restart the appliance. Replace the control unit if the appliance will not restart.

Fault codes (cont.)

Faults without fault display

Fault	Cause of fault	Action
Burner blocked and 3 displayed in code 38.	Flow rate insufficient Circulation pump or flow switch faulty Heat exchanger blocked	Check circulation pump and flow switch; replace if required Flush and clean heat exchanger.

Maintenance

Checking the outside temperature sensor (weather-compensated control unit)

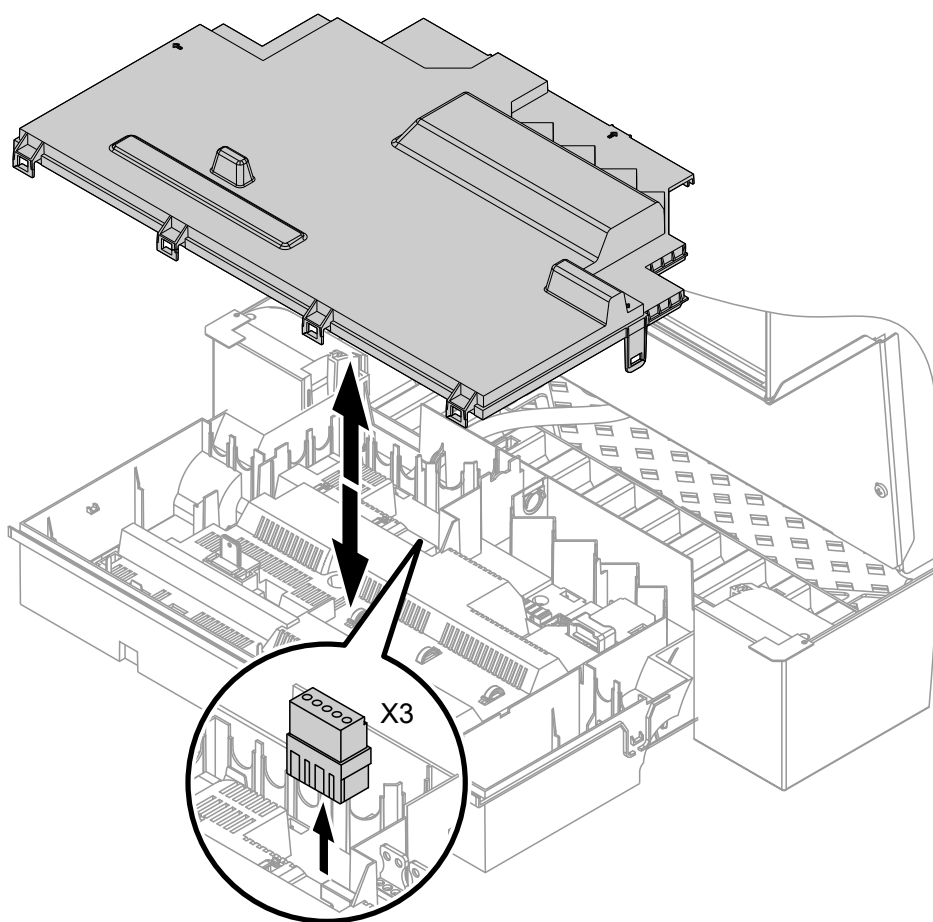


Fig. 43

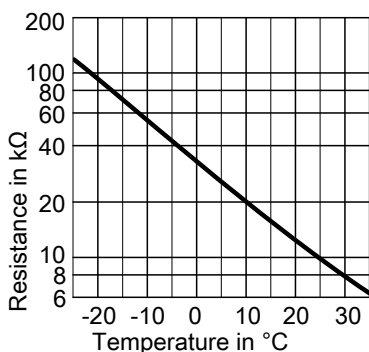


Fig. 44 Sensor type: NTC 10 kΩ

1. Pull plug "X3" from the control unit.
2. Test the resistance of the outside temperature sensor across terminals "X3.1" and "X3.2" on the disconnected plug and compare with the curve.
3. Where actual values deviate severely from the curve values, disconnect the wires at the sensor and repeat test on the sensor itself.
4. Depending on the result, replace the lead or the outside temperature sensor.

Checking the boiler water temperature sensors, cylinder temperature sensor or flow temperature sensor for the low loss header

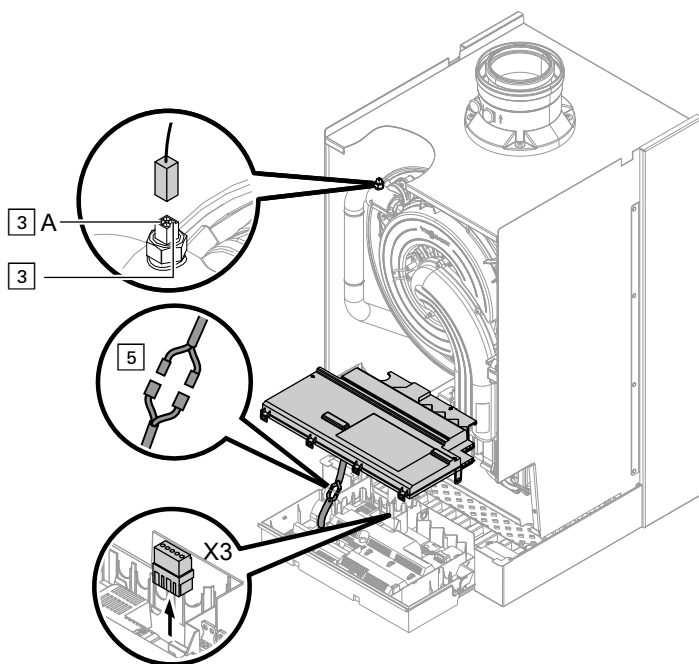


Fig. 45

1.
 - **Boiler water temperature sensors**
Pull plug and check resistance of boiler water temperature sensors **3** and **3A**.
 - **Cylinder temperature sensor**
Pull plug **5** from the cable harness at the control unit and check resistance.
 - **Flow temperature sensor**
Pull plug "X3" at the control unit and check resistance across terminals "X3.4" and "X3.5".
2. Check the sensor resistance and compare it with the curve.
3. In the event of severe deviation replace the sensor.



Danger

The boiler water temperature sensors are immersed in the heating water (risk of scalding).
Drain the boiler before replacing the sensor.

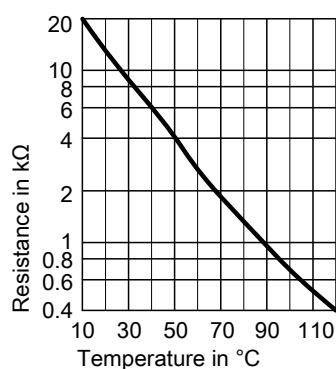


Fig. 46 Sensor type: NTC 10 kΩ

Checking the flue gas temperature sensor

The flue gas temperature sensor locks out the boiler if the permissible flue gas temperature is exceeded. Cancel the interlock after the flue system has cooled down by pressing reset button **R**.

Maintenance (cont.)

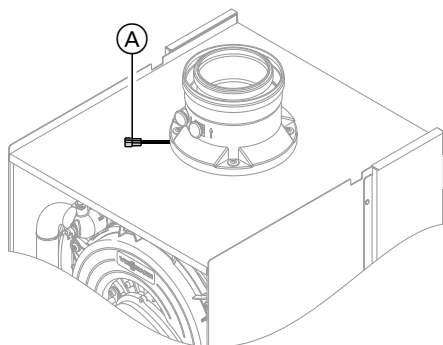


Fig. 47

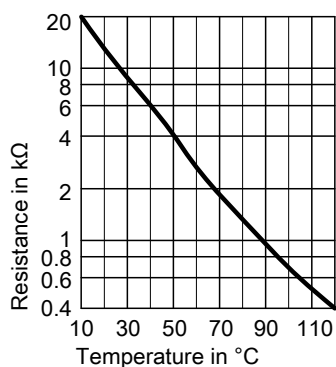


Fig. 48 Sensor type: NTC 10 kΩ

Fault during commissioning (fault A3)

During commissioning, the control unit checks that the flue gas temperature sensor is positioned correctly. If commissioning is terminated and fault message A3 is displayed:

1. Check whether the flue gas temperature sensor is correctly inserted. See previous diagram.

1. Pull leads from flue gas temperature sensor (A).

2. Check sensor resistance and compare it to the curve.
3. In the event of severe deviation replace the sensor.

2. If necessary, correct the position of the flue gas temperature sensor or replace faulty flue gas temperature sensor.
3. Press reset button **R** and repeat commissioning. The check is repeated until it is completed successfully.

Check the fuse

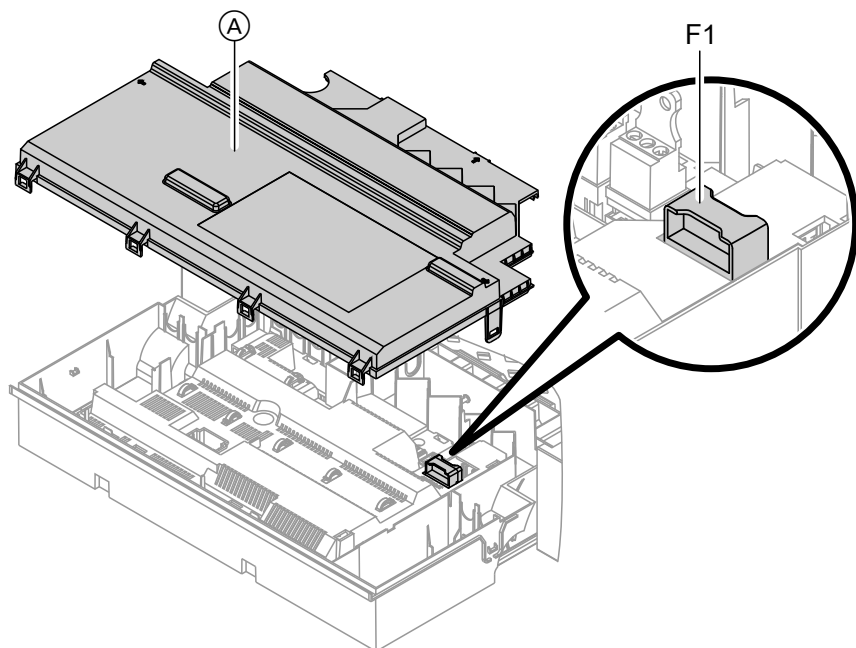




Fig. 49

1. Switch off the power.
2. Release the side closures and pivot the control unit down.
3. Remove cover (A).
4. Check fuse F1 (see connection and wiring diagram).

Mixer extension kit

Checking the setting of rotary selector S1

The rotary selector on the PCB of the extension kit defines the assignment to the relevant heating circuit.

Heating circuit	Rotary selector S1 setting
Heating circuit with mixer M2 (heating circuit 2)	2 
Heating circuit with mixer M3 (heating circuit 3)	4 

Note

The mixer motor can also be started via the actuator test (see chapter "Checking outputs").

Observe the rotational direction of the mixer motor during its self-test. Then manually set the mixer back to "Open". The flow temperature sensor must now capture a higher temperature. If the temperature drops, either the motor is turning in the wrong direction or the mixer insert is incorrectly fitted.



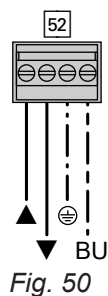
Mixer installation instructions

Checking the rotational direction of the mixer motor

After being switched on, the boiler implements a self-test. During this, the mixer is opened and closed again.

Maintenance (cont.)

Changing the rotational direction of the mixer motor (if required)



1. Remove the upper casing cover of the extension kit.



Danger

An electric shock can be life-threatening. Before opening the boiler, disconnect it from the mains voltage, e.g. at the fuse or mains isolator.

2. At plug 52, swap the cores at terminals "▲" and "▼".
3. Refit the casing cover.

Check flow temperature sensor

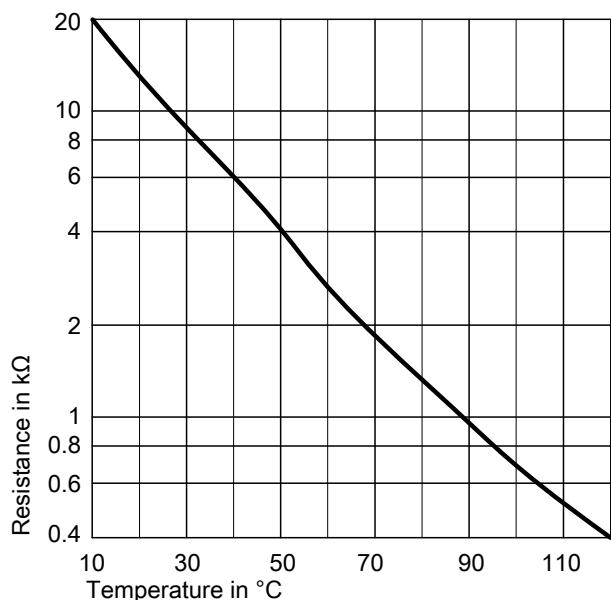


Fig. 51 Sensor type: NTC 10 kΩ

1. Disconnect plug 2 (flow temperature sensor).
2. Check the sensor resistance and compare it to the curve. In the event of severe deviation replace the sensor.

Checking the Vitotronic 200-H (accessories)

The Vitotronic 200-H is connected to the control unit via the LON. To test the connection, carry out a subscriber check at the boiler control unit (see page 45).

Overview of assemblies

- Serial no. (see type plate (A))
- Assembly (from this parts list)
- Position number of the individual part within the assembly (from this parts list)

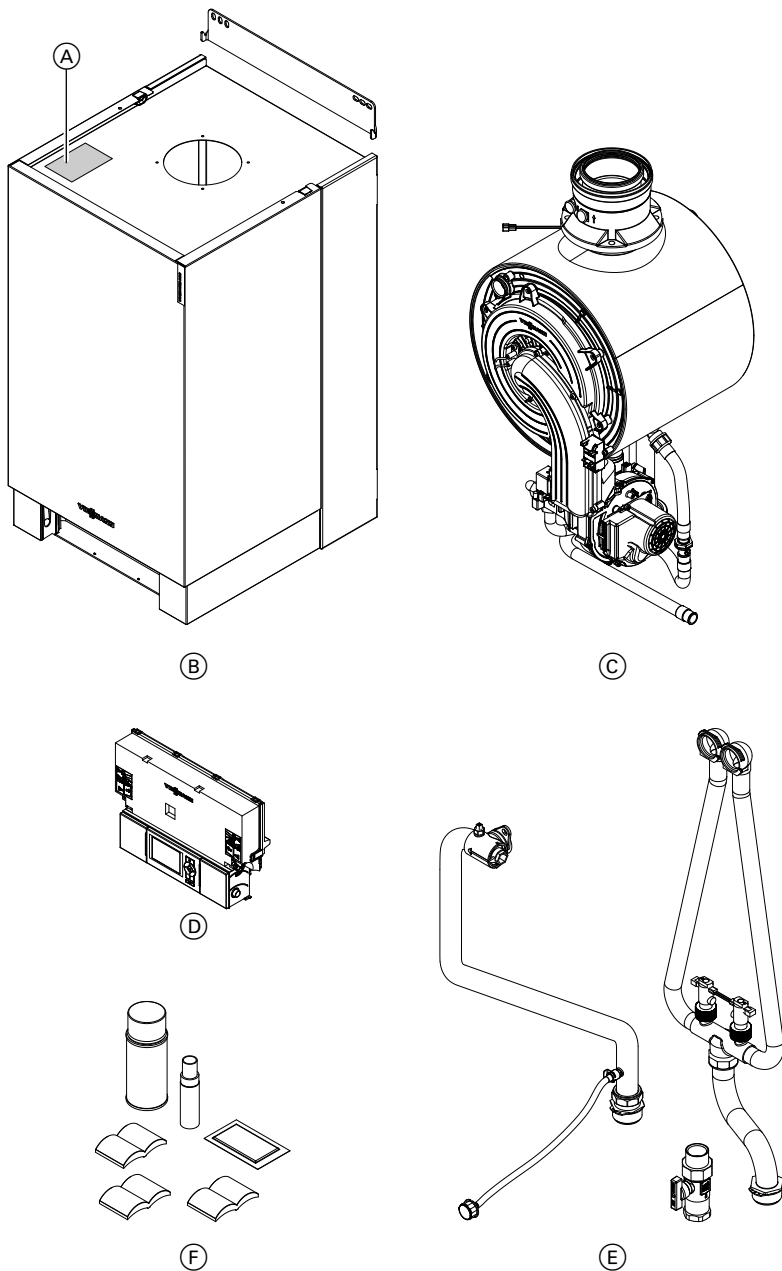


Fig. 52

- | | |
|------------------------------------|---------------------------|
| (A) Type plate | (D) Control unit assembly |
| (B) Casing assembly | (E) Hydraulic assembly |
| (C) Heat cell assembly with burner | (F) Miscellaneous |

Casing assembly

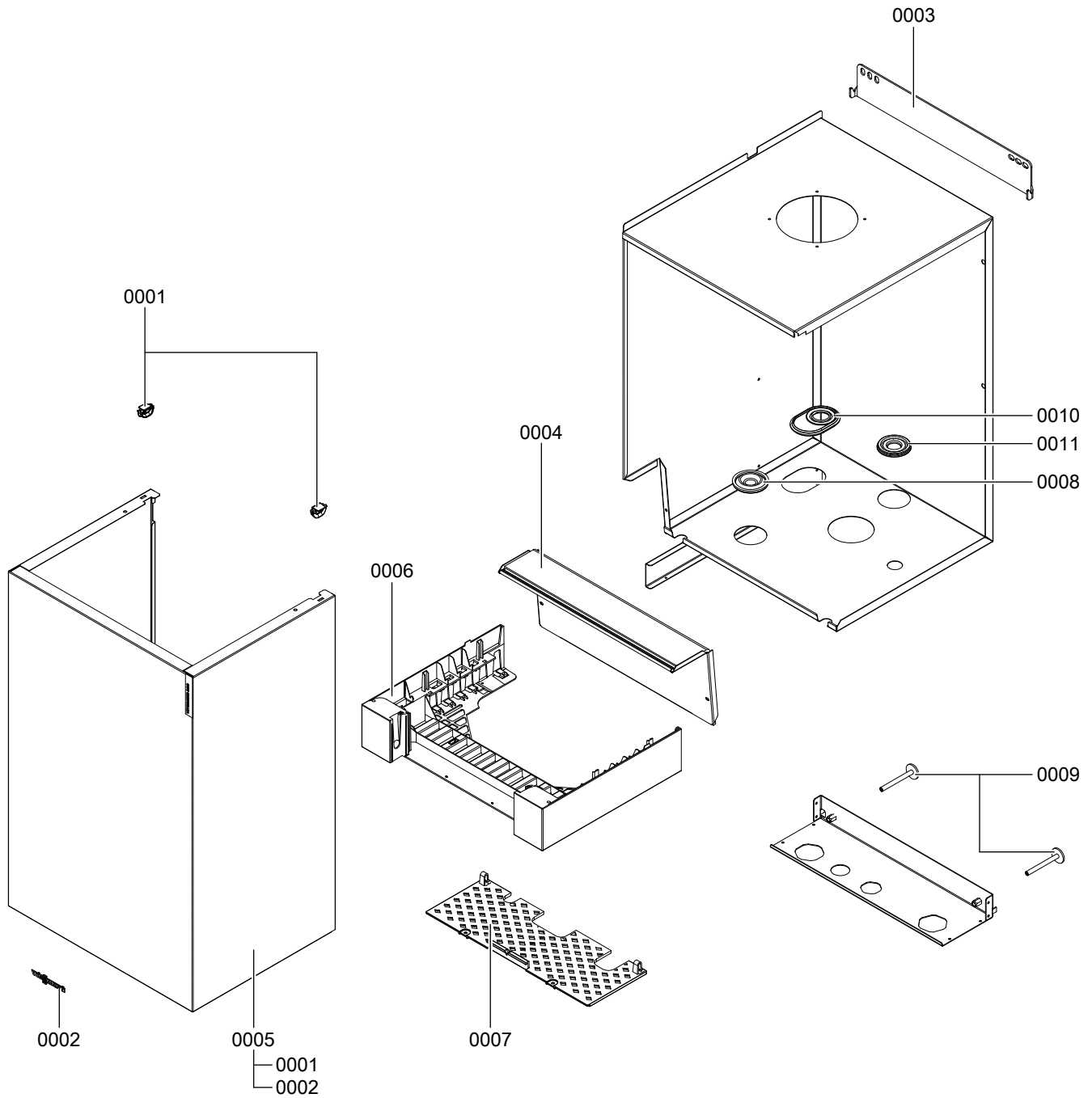


Fig. 53

Casing assembly (cont.)

Pos.	Part
0001	Fixing clip (2 pce)
0002	Viessmann logo
0003	Wall mounting bracket
0004	Cover panel
0005	Front panel
0006	Control unit support
0007	Safety guard
0008	Diaphragm grommet
0009	Adjustable foot
0010	Diaphragm grommet 60 x 30
0011	Diaphragm grommet 28 x 7

Heat cell assembly

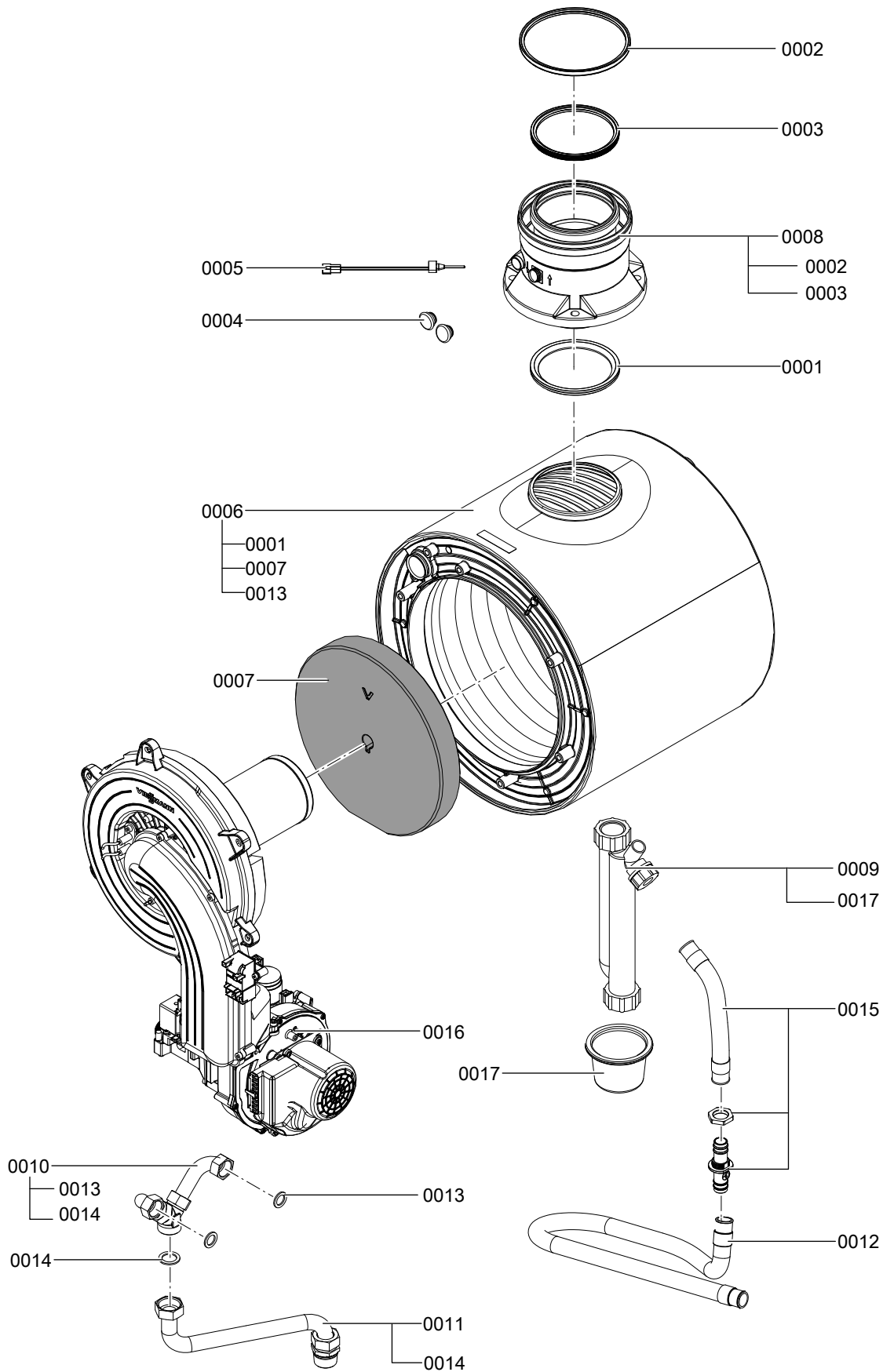


Fig. 54

Heat cell assembly (cont.)

Pos.	Part
0001	Diaphragm grommet DN 110
0002	Lip seal Ø 150
0003	Flue gasket Ø 100
0004	Plug for boiler flue connection
0005	Flue gas temperature sensor
0006	Heat exchanger
0007	Thermal insulation block
0008	Boiler flue connection 110/150
0009	Trap
0010	Gas distributor
0011	Gas pipe
0012	Condensate hose
0013	Gasket A 16 x 24 x 2 (5 pce)
0014	Seal ring 21 x 30 x 2
0015	Condensate drain pipe set
0016	Burner
0017	Trap cap

Burner assembly

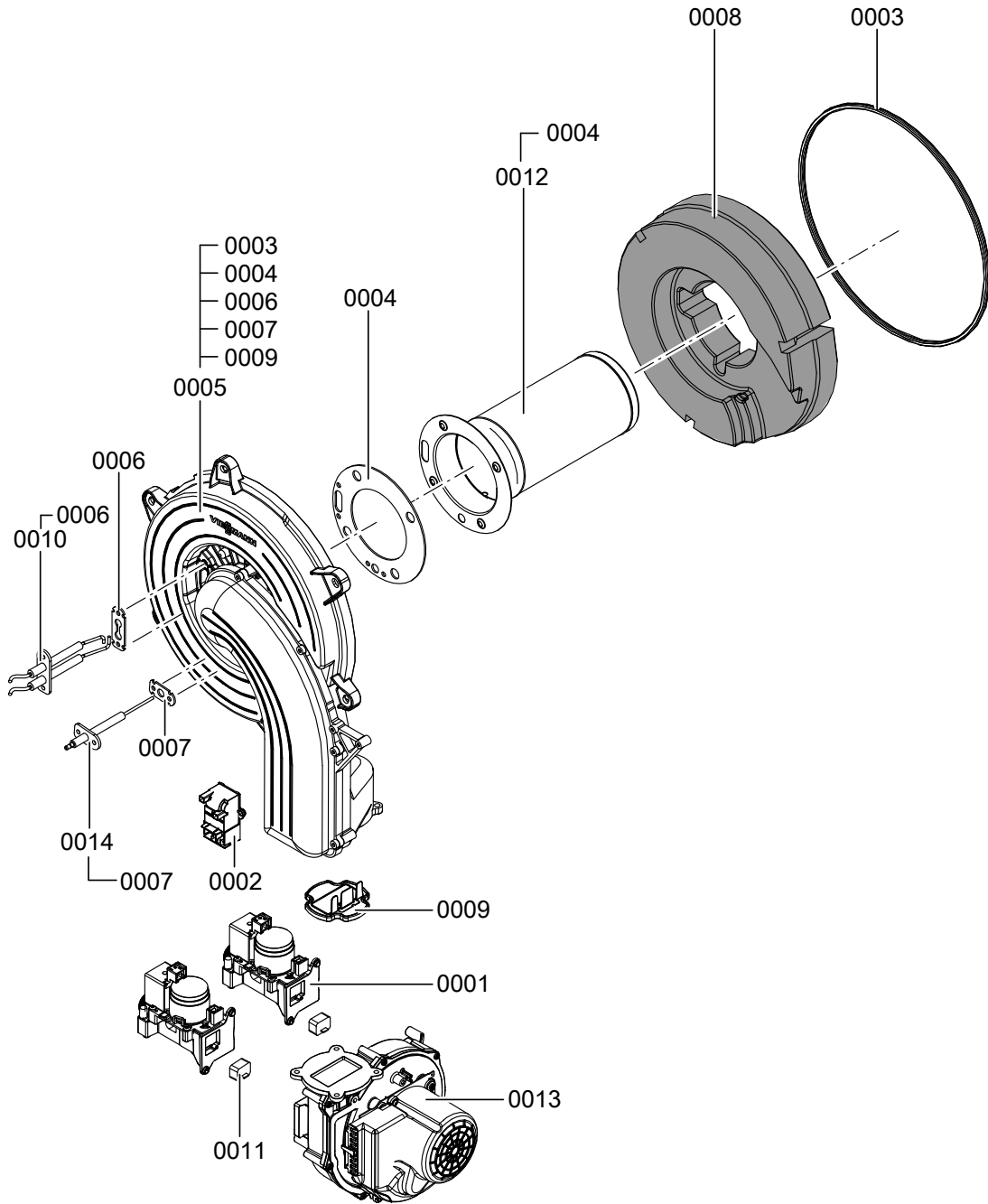


Fig. 55

Burner assembly (cont.)

Pos.	Part
0001	Gas train CES
0002	Ignition unit
0003	Burner gasket \varnothing 298
0004	Burner gauze assembly gasket
0005	Burner door
0006	Gasket, ignition electrode (5 pce)
0007	Gasket, ionisation electrode (5 pce)
0008	Thermal insulation ring
0009	Back draught safety device
0010	Ignition electrode block
0011	Gas nozzle, 09, grey (2 pce)
0012	Cylinder burner gauze assembly
0013	Radial fan
0014	Ionisation electrode

Hydraulic assembly

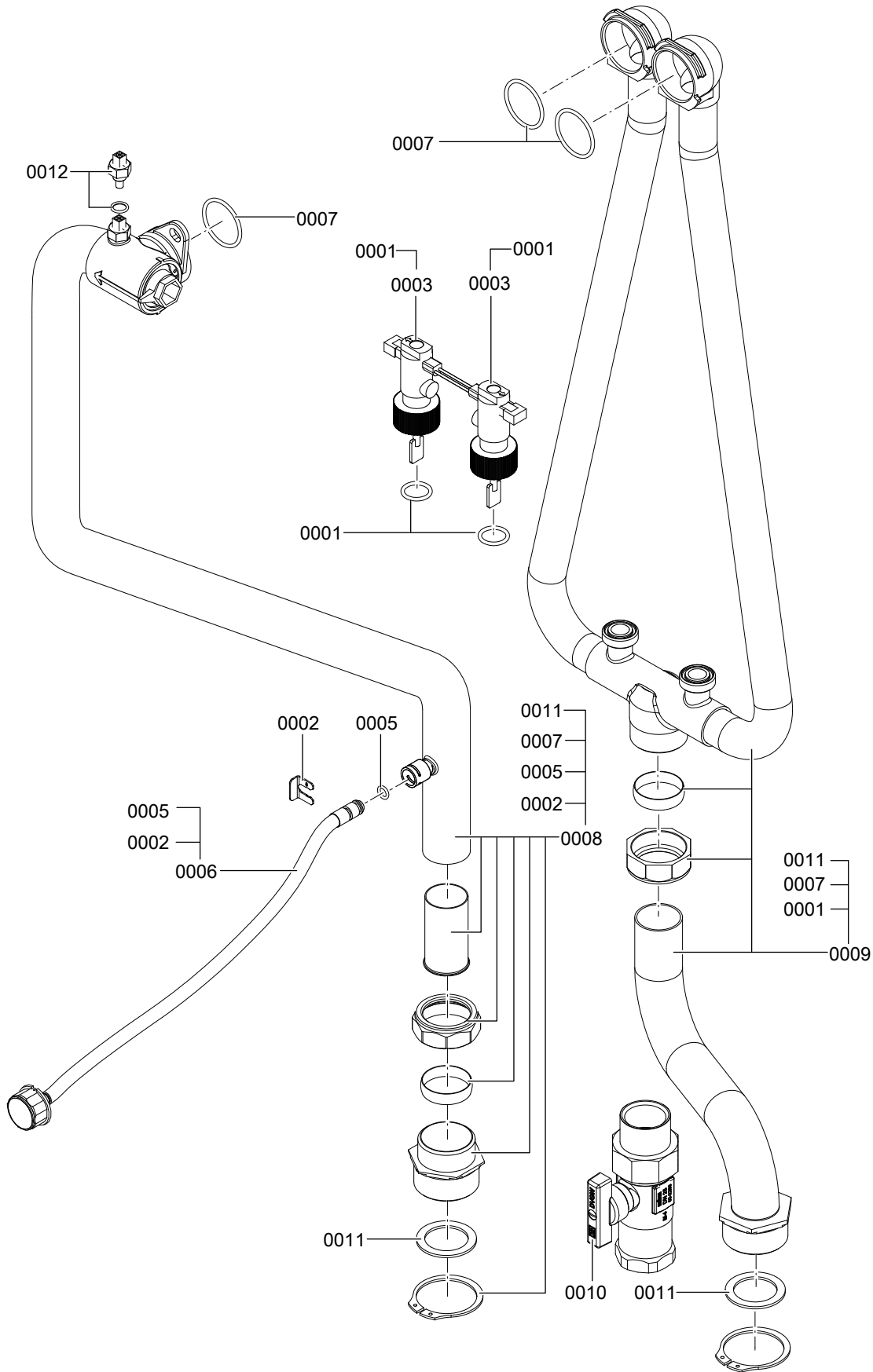


Fig. 56

Hydraulic assembly (cont.)

Pos.	Part
0001	O-ring 17.86 x 2.62 (5 pce)
0002	Clip Ø 8 (5 pce)
0003	Flow control switch
0004	Fitting
0005	Circular seal washer 8 x 2 (5 pce)
0006	Pressure gauge 0-6 bar
0007	O-ring 34.59 x 2.62
0008	Connection pipe HF
0009	Connection pipe HR
0010	Straight-through gas valve Rp 1
0011	Gasket G 1½
0012	Temperature sensor

Control unit assembly

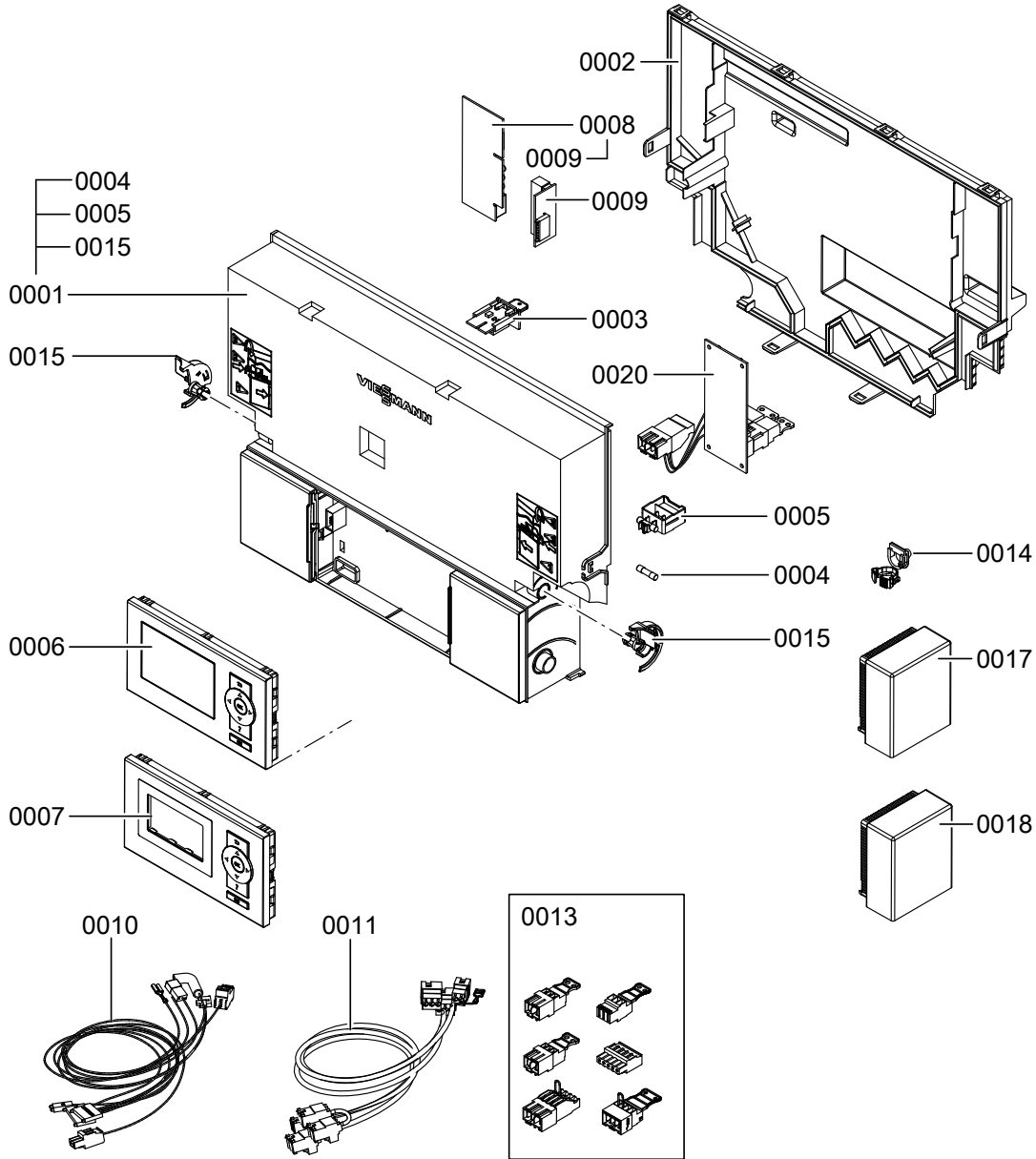


Fig. 57

Control unit assembly (cont.)

Pos.	Part
0001	Control unit VBC135-A20.001
0002	Casing back panel
0003	Coding card
0004	Fuse, 6.3 A (slow), 250 V (10 pce)
0005	Fuse holder, 6.3 A (slow)
0006	Vitotronic 200 HO1B
0007	Vitotronic 100 HC1B programming unit
0008	LON communication module
0009	PCB adaptor
0010	Cable harness X8/X9/ionisation
0011	Cable harness 100/35/54/earth
0013	Mating plug
0014	Cable ties (10 pce)
0015	Locking bolts, left and right
0017	Outside temperature sensor RF
0018	Outside temperature sensor NTC
0020	Internal H1 extension

Miscellaneous assembly

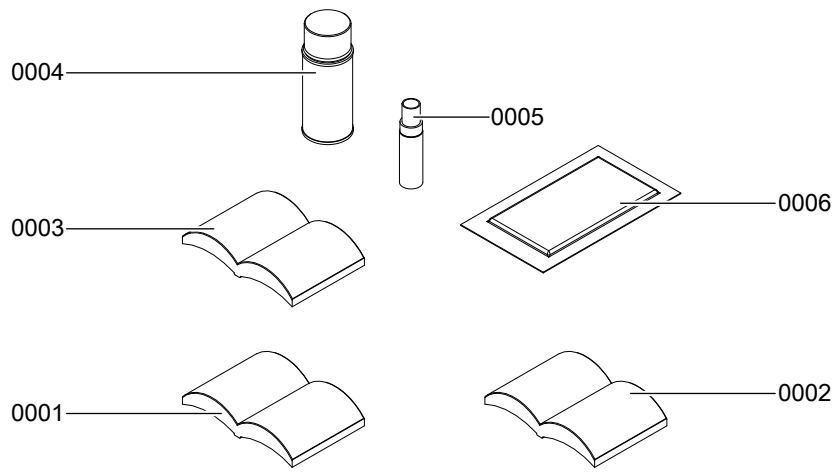


Fig. 58

Miscellaneous assembly (cont.)

Pos.	Part
0001	Vitotronic 200 HO1B operating instructions
0002	Vitotronic 100 HC1B operating instructions
0003	Installation and service instructions
0004	Touch-up spray paint, white, 150 ml
0005	Touch-up paint stick, white
0006	Special grease

Constant temperature control unit

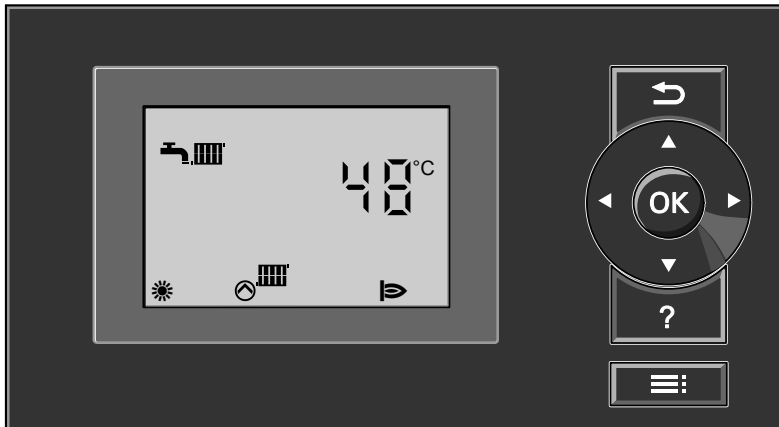


Fig. 59

Heating mode

The selected set boiler water temperature will be maintained when a demand is being raised by the room thermostat and the heating program is set to DHW and central heating "☀️🏠".

The boiler water temperature will be maintained at the default frost protection temperature when there is no demand.

The electronic temperature limiter inside the burner control unit limits the boiler water temperature. Flow temperature setting range: 20 to 74 °C.

DHW heating

The burner and the circulation pump for cylinder heating are started if the DHW temperature lies 2.5 K below the set DHW temperature.

In the delivered condition, the set boiler water temperature is 20 K higher than the set DHW temperature (adjustable via coding address "60"). The burner is switched off and the circulation pump run-on is enabled if the actual DHW temperature exceeds the set DHW temperature by 2.5 K.

Weather-compensated control unit

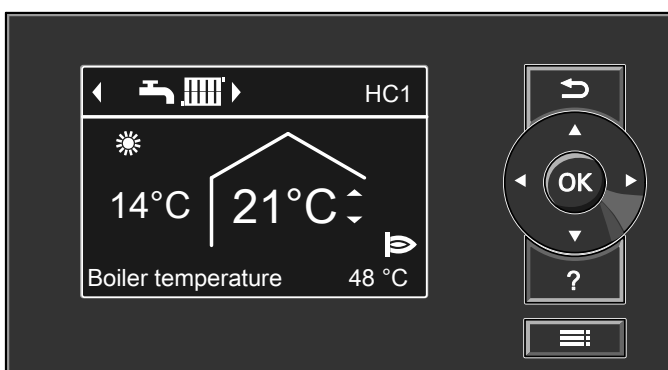


Fig. 60

Weather-compensated control unit (cont.)**Heating mode**

The control unit determines a set boiler water temperature subject to outside temperature or room temperature (if a room temperature-dependent remote control is connected) and to the slope/level of the heating curve.

The determined set boiler water temperature is transferred to the burner control unit. From the set and actual boiler water temperatures, the burner control unit calculates the modulation level and regulates the burner accordingly.

The electronic temperature limiter inside the burner control unit limits the boiler water temperature.

DHW heating

The burner and the circulation pump for cylinder heating are started if the DHW temperature lies 2.5 K below the set DHW temperature.

In the delivered condition, the set boiler water temperature is 20 K higher than the set DHW temperature (adjustable via coding address "60"). The burner is switched off and the circulation pump run-on is enabled if the actual DHW temperature exceeds the set DHW temperature by 2.5 K.

Boosting DHW heating

This function is activated by specifying a second set DHW temperature via coding address 58 in group "DHW" and activating the fourth DHW phase for DHW heating.

Heating is boosted during the periods selected in this time phase.

Internal H1 extension

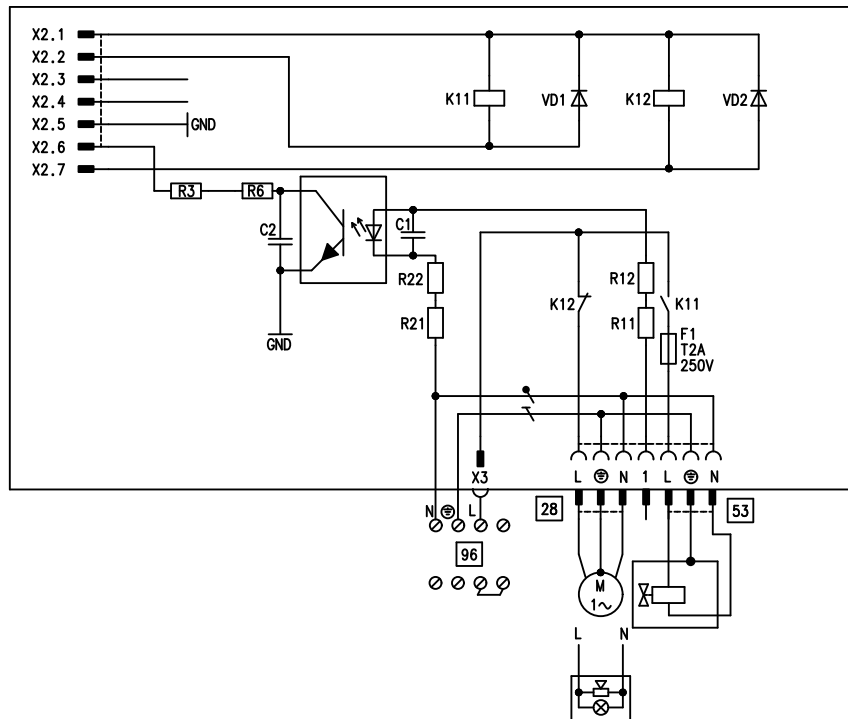


Fig. 61

The internal extension is integrated into the control unit enclosure. The following alternative functions can be connected to relay output 28. The function is assigned via coding address "53" in the "General" group:

- Central fault message (code "53:0")
- DHW circulation pump (code "53:1") (only for weather-compensated operation)
Connect DHW circulation pumps with standalone functions directly to the 230 V~ supply.

- Heating circuit pump for heating circuit without mixer (code "53:2")
- Circulation pump for cylinder heating (code "53:3")
An external safety valve can be connected to connection 53.

Internal extensions (accessories) (cont.)

Internal H2 extension

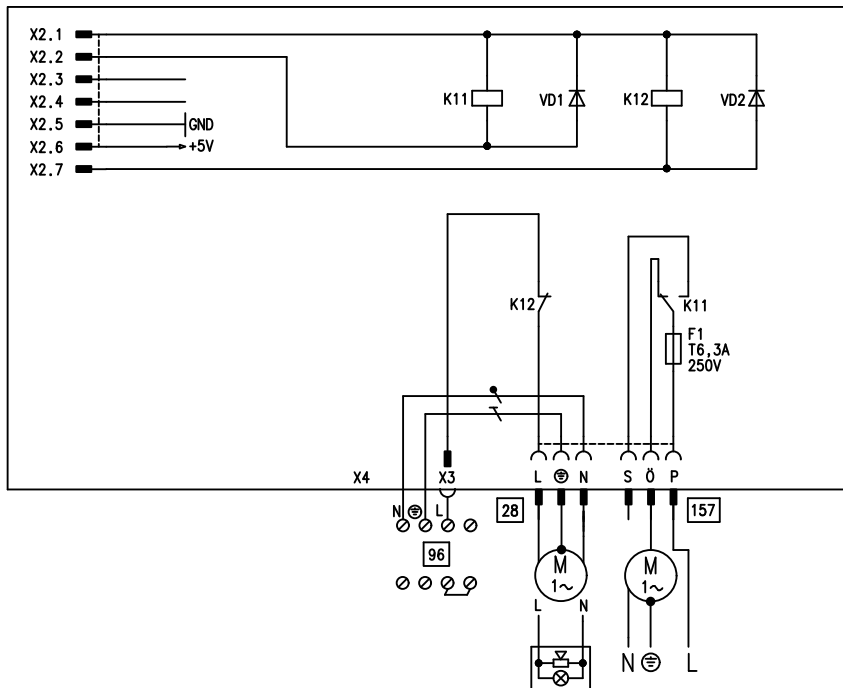


Fig. 62

The internal extension is integrated into the control unit enclosure. The following alternative functions can be connected to relay output **28**. The function is assigned via coding address "53" in the **"General"** group:

- Central fault message (code "53:0")
- DHW circulation pump (code "53:1") (only for weather-compensated operation)
Connect DHW circulation pumps with standalone functions directly to the 230 V~ supply.

- Heating circuit pump for heating circuit without mixer (code "53:2")
 - Circulation pump for cylinder heating (code "53:3")
- An extractor fan can be switched off via connection **157** when the burner starts.

External extensions (accessories)

AM1 extension

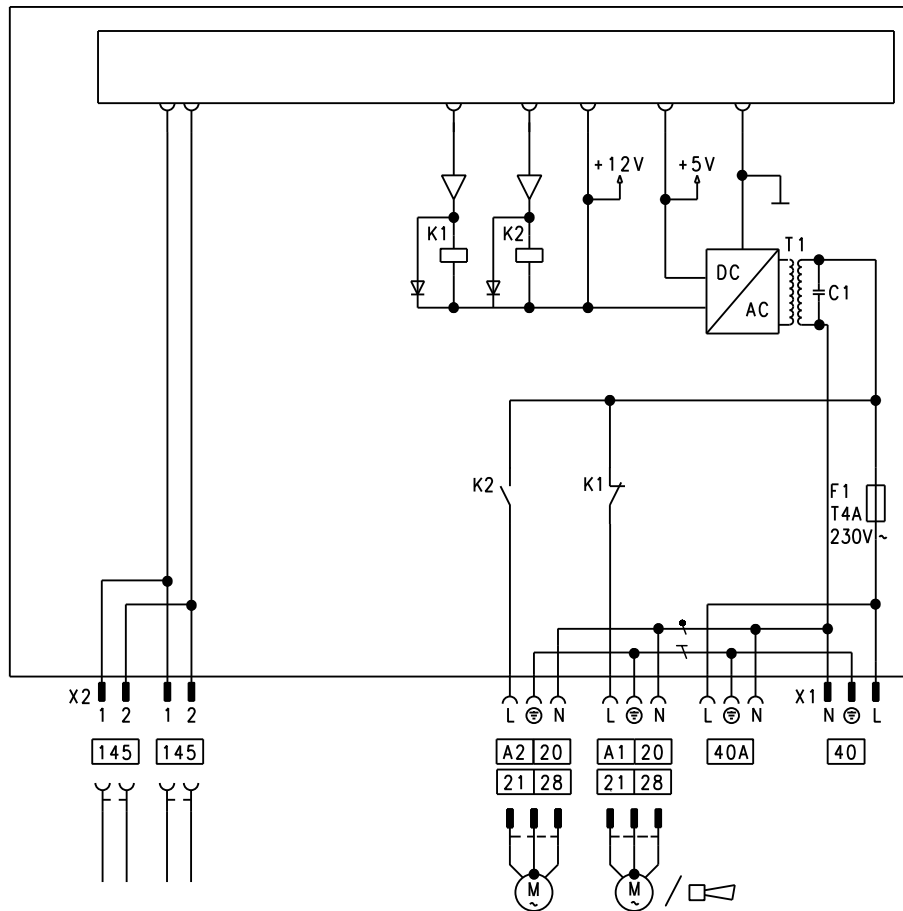


Fig. 63

- A1 Circulation pump
- A2 Circulation pump
- 40 Power supply

- 40 A Power supply for additional accessories
- 145 KM-BUS

Functions

One of the following circulation pumps can be connected to each of the connections A1 and A2:

- Heating circuit pump for heating circuit without mixer
- Circulation pump for cylinder heating
- DHW circulation pump (only for weather-compensated control units)

Connect DHW circulation pumps with standalone functions directly to the 230 V~ supply.

Select the output functions via the codes on the boiler control unit.

Function assignment

Function	Code ("General" group)	
	Output A1	Output A2
DHW circulation pump 28	33:0	34:0 (delivered condition)
Heating circuit pump 20	33:1 (delivered condition)	34:1
Circulation pump for cylinder heating 21	33:2	34:2

External extensions (accessories) (cont.)

EA1 extension

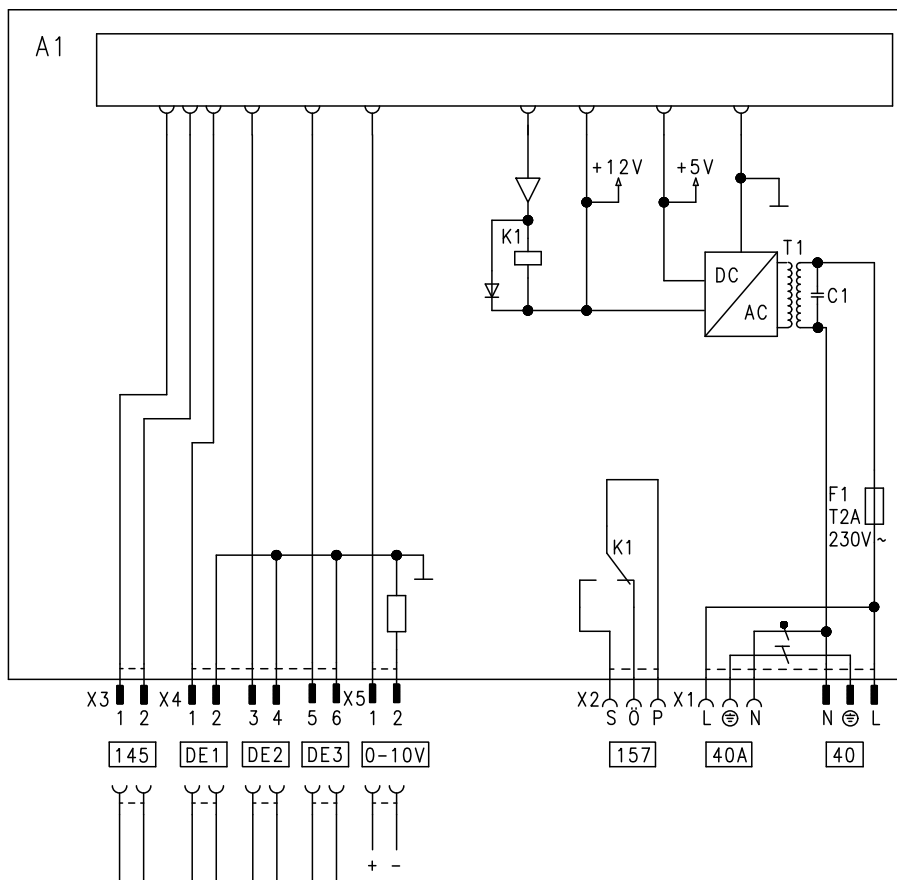


Fig. 64

F1	MCB/fuse
DE1	Digital input 1
DE2	Digital input 2
DE3	Digital input 3
0-10V	0 – 10 V input
40	Power supply

40 A	Power supply for additional accessories
157	Central fault message/feed pump/DHW circulation pump (potential-free) Connect DHW circulation pumps with stand-alone functions directly to the 230 V~ supply.
145	KM BUS

Digital data inputs DE1 to DE3

Alternatively, the following functions can be connected:

- External operating program changeover for each heating circuit
- External blocking
- External blocking with fault message input
- External demand with minimum boiler water temperature
- Fault message input
- Brief operation of the DHW circulation pump

External contacts must be potential-free. When making the connection, adhere to the requirements of protection class II: 8.0 mm air and creep paths and 2.0 mm insulation thickness against 'live' components.

Input function assignment

Select the input functions via the codes in the **"General"** group at the boiler control unit:

- DE1: Coding address 3A
- DE2: Coding address 3b
- DE3: Coding address 3C

Assigning the operating program changeover function to the heating circuits

Select the operating program changeover function for the respective heating circuit via coding address d8 in the **"Heating circuit"** group at the boiler control unit:

- Changeover via input DE1: Code d8:1
- Changeover via input DE2: Code d8:2
- Changeover via input DE3: Code d8:3

The effect of the operating program changeover is selected via coding address d5 in the **"Heating circuit"** group.

Function description

External extensions (accessories) (cont.)

The duration of the changeover is set via coding address F2 in the **"Heating circuit"** group.

Effect of external blocking function on the pumps

The effect on the internal circulation pump is selected in coding address 3E in the **"General"** group.

The effect on the relevant heating circuit pump is selected in coding address d6 in the **"Heating circuit"** group.

The effect on a circulation pump for cylinder heating is selected in coding address 5E in the **"DHW"** group.

Effect of the external demand function on the pumps

The effect on the internal circulation pump is selected in coding address 3F in the **"General"** group.

The effect on the relevant heating circuit pump is selected in coding address d7 in the **"Heating circuit"** group.

The effect on a circulation pump for cylinder heating is selected in coding address 5F in the **"DHW"** group.

DHW circulation pump runtime for brief operation

The DHW circulation pump is started by closing the contact at DE1, DE2 or DE3 by means of a pushbutton. The runtime is adjusted via coding address "3d" in the **"General"** group.

Analogue input 0 – 10 V

The 0 – 10 V hook-up provides an additional set boiler water temperature:

0 – 1 V is taken as "no set boiler water temperature default".

1 V \triangleq Set value 10 °C

10 V \triangleq Set value 100 °C

Ensure DC separation between the earth conductor and the negative pole of the on-site power source.

Output 157

The following functions can be connected to output 157:

- Feed pump to substation
or
- DHW circulation pump
or
- Fault message facility

Information regarding the feed pump

Function only possible in conjunction with a heating circuit control unit connected via LON.

Information on DHW circulation pumps

Connect DHW circulation pumps with standalone functions directly to the 230 V~ supply.

Function assignment

Select the function of output 157 via coding address "36" in the **"General"** group at the boiler control unit.

Control functions

External operating program changeover

The "External operating program changeover" function is implemented via the EA1 extension. There are 3 inputs available at the EA1 extension (DE1 to DE3).

The function is selected via the following coding addresses in the **"General"** group:

Heating program changeover	Code
Input DE1	3A:1
Input DE2	3b:1
Input DE3	3C:1

Select the operating program changeover function for the respective heating circuit via coding address "d8" in the **"Heating circuit"** group at the boiler control unit:

Control functions (cont.)

Heating program changeover	Code
Changeover via input DE1	d8:1
Changeover via input DE2	d8:2
Changeover via input DE3	d8:3

You can select the direction of the operating program changeover in coding address "d5" in the **"Heating circuit"** group:

Heating program changeover	Code
Changeover towards "Constantly reduced" or "Constant standby mode" (subject to the selected set value)	d5:0
Changeover towards "Constant heating mode"	d5:1

The duration of the operating program changeover is set in coding address "F2" in the **"Heating circuit"** group:

Heating program changeover	Code
No operating program changeover	F2:0
Duration of the operating program changeover 1 to 12 hours	F2:1 to F2:12

The operating program changeover stays enabled for as long as the contact remains closed, but at least as long as the duration selected in coding address "F2".

External blocking

The functions "External blocking" and "External blocking with fault message input" are implemented via the EA1 extension. There are 3 inputs available at the EA1 extension (DE1 to DE3).

The function is selected via the following coding addresses in the **"General"** group:

External blocking	Code
Input DE1	3A:3
Input DE2	3b:3
Input DE3	3C:3

External blocking and fault message input	Code
Input DE1	3A:4
Input DE2	3b:4
Input DE3	3C:4

The effect on the internal circulation pump is selected in coding address "3E" in the **"General"** group.

The effect on the relevant heating circuit pump is selected in coding address "d6" in the **"Heating circuit"** group.

External demand

The "External demand" function is implemented via the EA1 extension. There are 3 inputs available at the EA1 extension (DE1 to DE3).

The function is selected via the following coding addresses in the **"General"** group:

Function description

Control functions (cont.)

External demand	Code
Input DE1	3A:2
Input DE2	3b:2
Input DE3	3C:2

The effect on the internal circulation pump is selected in coding address "3F" in the **"General"** group. The effect on the relevant heating circuit pump is selected in coding address "d7" in the **"Heating circuit"** group.

The set minimum boiler water temperature for external demand is selected in coding address "9b" in the **"General"** group.

Venting program

During the venting program, the circulation pump will be alternately switched on and off for 30 s over a period of 20 min.

The burner is switched off during the venting program. Activating the venting program: See "Venting the heating system".

Screed drying

When activating screed drying, observe the information provided by the screed manufacturer. When screed drying is activated, the heating circuit pump for the heating circuit with mixer starts and the flow temperature is maintained in accordance with the selected profile. On completion (30 days), the heating circuit with mixer is controlled automatically according to the set parameters. Observe EN 1264. The report to be provided by the heating contractor must contain the following heat-up details:

- Heat-up data with respective flow temperatures
- Max. flow temperature achieved
- Operating state and outside temperature during handover

Various temperature profiles can be set via coding address "F1" in the **"Heating circuit"** group. The function continues after a power failure or after the control unit has been switched off. "Heating and DHW" is started when screed drying is finished or if code "F1:0" is set manually.

Temperature profile 1: (EN 1264-4) code "F1:1"

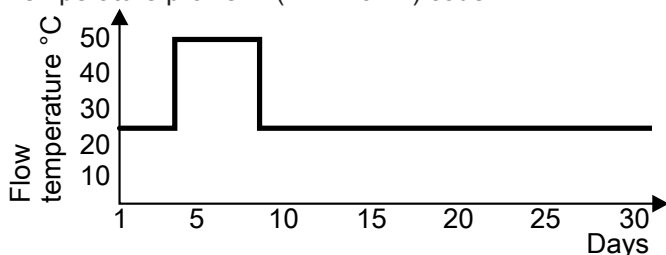


Fig. 65

Temperature profile 2: (ZV parquet and flooring technology) code "F1:2"

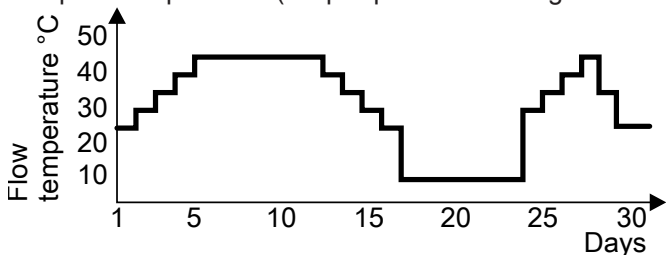


Fig. 66

Control functions (cont.)

Temperature profile 3: Code "F1:3"

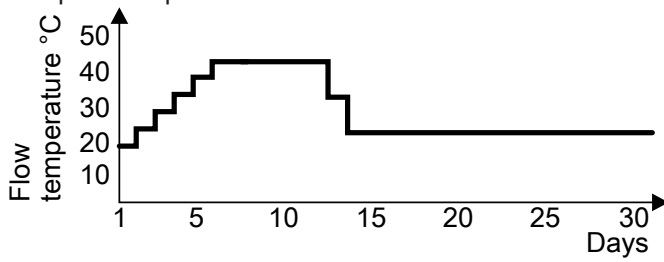


Fig. 67

Temperature profile 4: Code "F1:4"

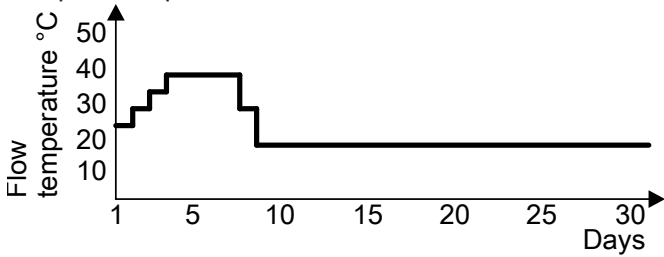


Fig. 68

Temperature profile 5: Code "F1:5"

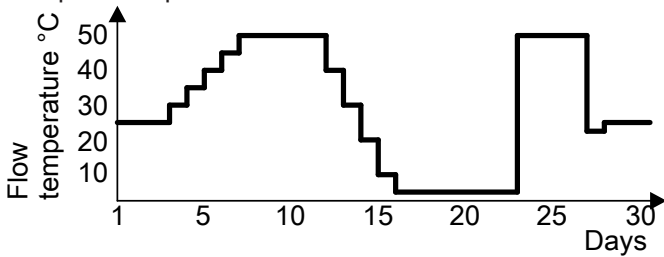


Fig. 69

Temperature profile 6: Code "F1:6"

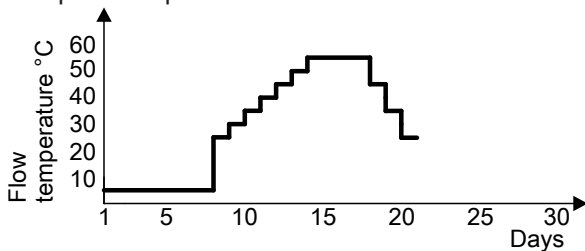


Fig. 70

Temperature profile 7: Code "F1:15"

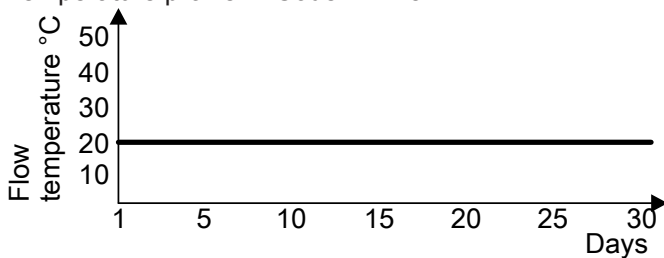


Fig. 71

Raising the reduced room temperature

During operation with reduced room temperature, the reduced set room temperature can be automatically raised subject to the outside temperature. The temperature is raised in accordance with the selected heating curve, but no higher than the set standard room temperature.

The outside temperature limits for the start and end of temperature raising can be set in coding addresses "F8" and "F9" in the **"Heating circuit"** group.

Example using the settings in the delivered condition

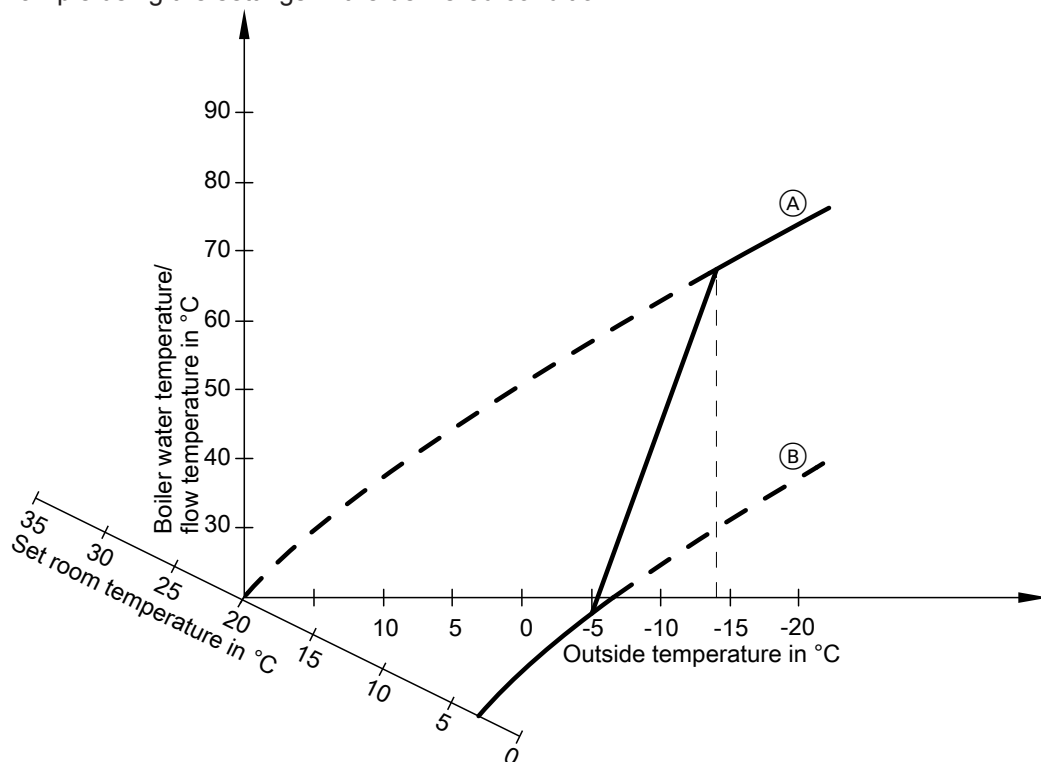


Fig. 72

- Ⓐ Heating curve for operation with standard room temperature
- Ⓑ Heating curve for operation with reduced room temperature

Reducing the heat-up time

During the transition from operation with reduced room temperature to operation with standard room temperature, the boiler water or flow temperature will be raised in accordance with the selected heating curve. The boiler water or flow temperature can be automatically increased.

The value and duration for the additional raising of the set boiler water temperature or set flow temperature can be set in coding addresses "FA" and "Fb" in the **"Heating circuit"** group.

Control functions (cont.)

Example using the settings in the delivered condition

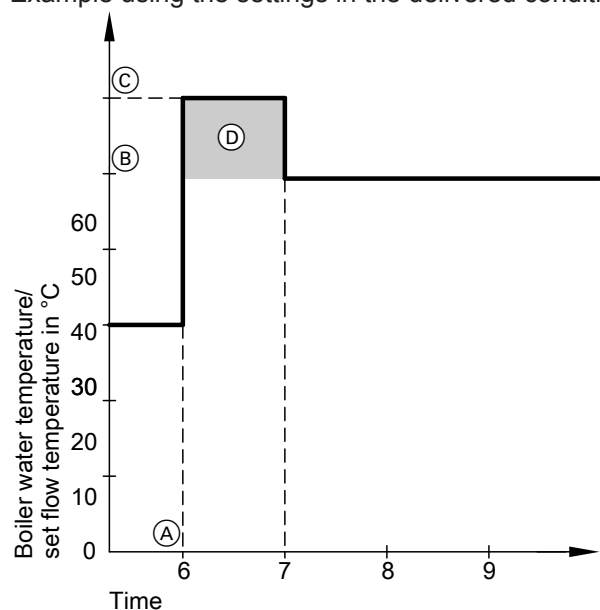


Fig. 73

- (A) Start of operation with standard room temperature
- (B) Set boiler water or flow temperature in accordance with the selected heating curve
- (C) Set boiler water or flow temperature in accordance with coding address "FA":
 $50\text{ °C} + 20\% = 60\text{ °C}$
- (D) Duration of operation with raised set boiler water or flow temperature in accordance with coding address "Fb":
 60 min

Assigning heating circuits to the remote control

The assignment of heating circuits must be configured during remote control commissioning.

Remote control affects the following heating circuit	Configuration	
	Vitotrol 200A Vitotrol 200 RF	Vitotrol 300A Vitotrol 300 RF
Heating circuit without mixer A1	H 1	Heating circuit 1
Heating circuit with mixer M2	H 2	Heating circuit 2
Heating circuit with mixer M3	H 3	Heating circuit 3

Note

One heating circuit can be assigned to the Vitotrol 200A and 200 RF.

Up to three heating circuits can be assigned to the Vitotrol 300A and 300 RF.

A maximum of 2 hardwired remote control units or 3 wireless remote controls may be connected to the control unit.

If the assignment of a heating circuit is later cancelled, reset coding address "A0" in the "Heating circuit" group for this heating circuit to 0 (fault message bC, bd, bE).

Electronic combustion control unit

The electronic combustion controller utilises the physical correlation between the level of the ionisation current and the air ratio λ . The maximum ionisation current is achieved at an air ratio of 1 for all gas qualities. The ionisation signal is evaluated by the combustion controller and the air ratio is adjusted to a value between $\lambda=1.24$ and 1.44. This range provides for an optimum combustion quality. Thereafter, the electronic gas valve regulates the required gas volume subject to the prevailing gas quality.

To check the combustion quality, the CO₂ content or the O₂ content of the flue gas is measured. The prevailing air ratio is determined with the measured values. The relationship between the CO₂ or O₂ content and air ratio λ is illustrated in the following table.

Air ratio λ – CO₂/O₂ content

Air ratio λ	O ₂ content (%)	CO ₂ content (%) for natural gas E	CO ₂ content (%) for natural gas LL	CO ₂ content (%) for LPG P
1.20	3.8	9.6	9.2	11.3
1.24	4.4	9.2	9.1	10.9
1.27	4.9	9.0	8.9	10.6
1.30	5.3	8.7	8.6	10.3
1.34	5.7	8.5	8.4	10.0
1.37	6.1	8.3	8.2	9.8
1.40	6.5	8.1	8.0	9.6
1.44	6.9	7.8	7.7	9.3
1.48	7.3	7.6	7.5	9.0

To achieve an optimum combustion control, the system regularly carries out an automatic self-calibration; also after a power failure (shutdown). For this, the combustion is briefly regulated to max. ionisation current (corresponding to air ratio $\lambda=1$). Automatic calibration is carried out shortly after the burner start and lasts approx. 5 s. During calibration, higher than normal CO emissions may occur briefly.

Connection and wiring diagram – internal connections

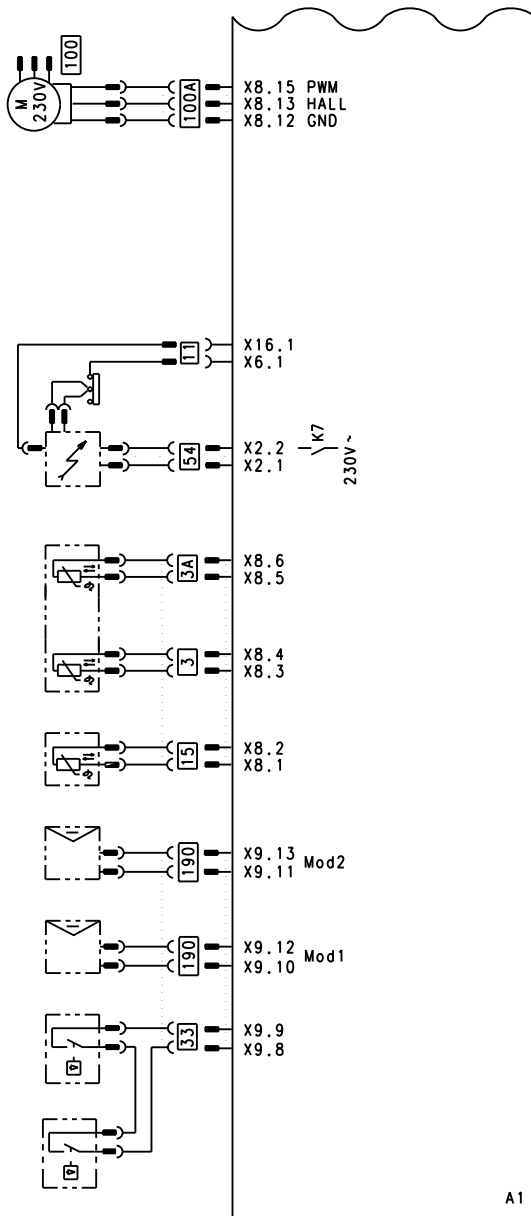


Fig. 74

- | | | | |
|---|---------------------------------|---|-------------------|
| A1 | Main PCB | 33 | Flow switch |
| X... | Electrical interfaces | 54 | Ignition unit |
| 3 | Boiler water temperature sensor | 100 | Fan motor |
| 3 A | Boiler water temperature sensor | 100 A | Fan motor control |
| 11 | Ionisation electrode | 190 | Modulation coil |
| 15 | Flue gas temperature sensor | | |

Connection and wiring diagram – external connections

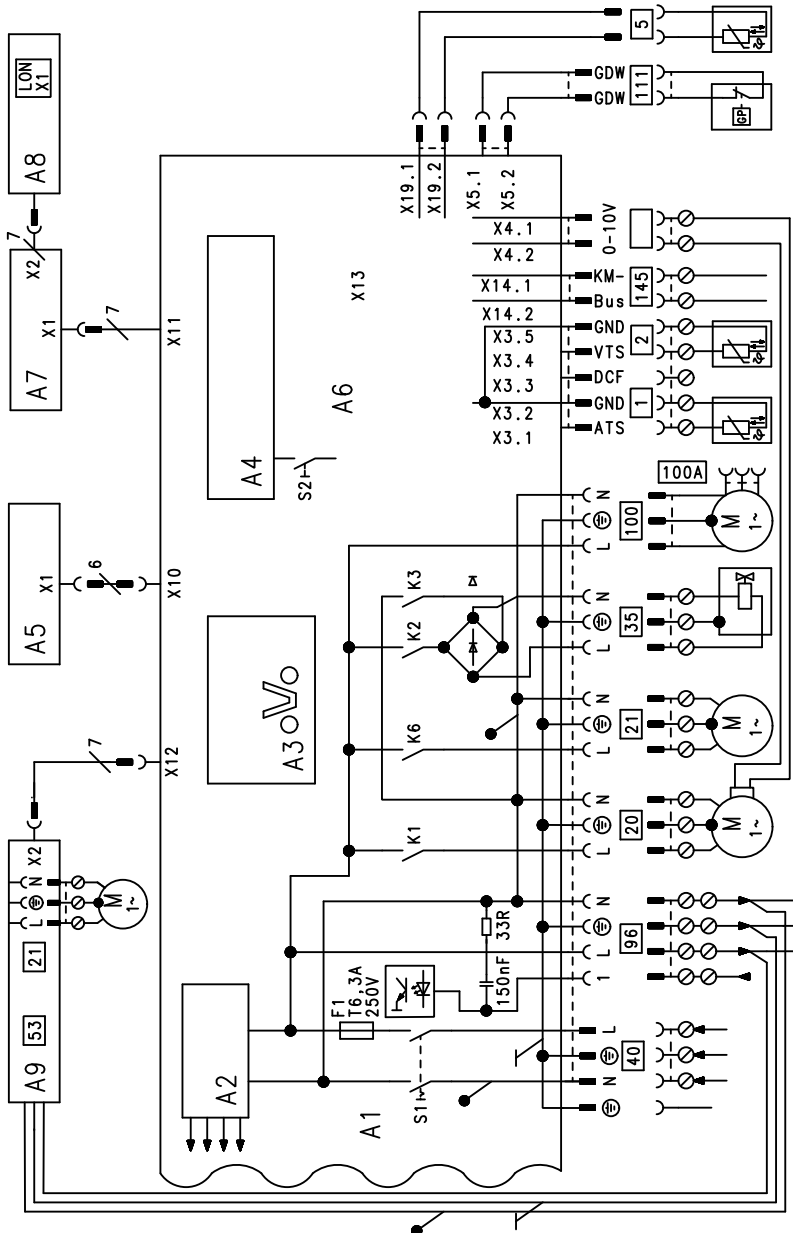


Fig. 75

- | | | | |
|------|--|-----|--|
| A1 | Main PCB | 2 | Flow temperature sensor, low loss header |
| A2 | Switching mode power supply | 5 | Cylinder temperature sensor (plug on the cable harness) |
| A3 | Optolink | 20 | Heating circuit pump or boiler circuit pump |
| A4 | Burner control unit | 21 | Circulation pump, optionally: <ul style="list-style-type: none"> ■ DHW circulation pump ■ External heating circuit pump ■ Circulation pump for cylinder heating |
| A5 | Programming unit | 35 | Gas solenoid valve |
| A6 | Coding card | 40 | Power supply |
| A7 | Connection adaptor | 96 | Power supply for accessories and Vitotrol 100 |
| A8 | LON communication module or cascade communication module | 100 | Fan motor |
| A9 | Internal extension (accessories) | 111 | Gas pressure switch |
| S1 | ON/OFF switch | 145 | KM-BUS |
| S2 | Reset button | | |
| X... | Electrical interfaces | | |
| 1 | Outside temperature sensor | | |

Settings and test values		Set value	Commissioning	Maintenance/ service
	Date			
	Signature			
Static pressure	<i>mbar</i>	≤ 57.5		
	<i>kPa</i>	≤ 5.75		
Supply pressure (flow pressure)				
<input type="checkbox"/> for natural gas E	<i>mbar</i>	17-25		
	<i>kPa</i>	1.70-2.5		
<input type="checkbox"/> for natural gas LL	<i>mbar</i>	17-25		
	<i>kPa</i>	1.70-2.5		
<input type="checkbox"/> for LPG	<i>mbar</i>	42.5-57.5		
	<i>kPa</i>	4.25-5.75		
<i>Tick gas type</i>				
Carbon dioxide content CO₂				
For natural gas				
▪ At lower heating output	<i>% by vol.</i>	7.5-9.5		
▪ At upper heating output	<i>% by vol.</i>	7.5-9.5		
For LPG				
▪ At lower heating output	<i>% by vol.</i>	8.8-11.1		
▪ At upper heating output	<i>% by vol.</i>	8.8-11.1		
Oxygen content O₂				
▪ At lower heating output	<i>% by vol.</i>	4.0-7.6		
▪ At upper heating output	<i>% by vol.</i>	4.0-7.6		
Carbon monoxide content CO				
▪ At lower heating output	<i>ppm</i>	< 1000		
▪ At upper heating output	<i>ppm</i>	< 1000		

Specification

Specification

Gas boiler, category II _{2N3P}

Rated heating output range ^{*2} T _F /T _R 50/30 °C	kW	20 (30) - 69	20 (30) - 80	20 (30) - 99
Rated heating input range	kW	18.8 (28.1) - 66.5	18.8 (28.1) - 75.0	18.8 (28.1) - 92.9
Rated voltage	V	230		
Rated frequency	Hz	50		
Rated current	A	6		
Backup fuse (power supply)	A	16		
Power consumption in the delivered condition	W	107	126	216
Electronic temperature limiter setting (fixed)	°C	82		
Temperature limiter setting (fixed)	°C	100		
Supply values				
Relative to max. load with				
Natural gas E	m ³ /h	7.04	7.94	10.42
Natural gas LL	m ³ /h	8.18	9.23	12.12
LPG	kg/h	5.17	5.86	7.70
Permissible ambient temperature				
▪ During operation:	°C	0 to +40 °C		
▪ During storage and transport:	°C	-20 to +65 °C		
Protection class				
I				
IP rating				
IP X4 to EN 60529				
Weight	kg	83	83	83
Product ID				
CE-0085CN0050				

Note

The supply values are only for reference (e.g. in the gas contract application) or for a supplementary, rough estimate to check the volumetric settings. Due to factory settings, the gas pressure must not be altered from these values. Reference: 15 °C, 1013 mbar (101.3 kPa).

*2 Values in () when operating with LPG P

Final decommissioning and disposal

Viessmann products can be recycled. Components and substances from the system are not part of ordinary household waste.

For decommissioning the system, isolate the system from the power supply and allow components to cool down where appropriate.

All components must be disposed of correctly.

Certificates

Declaration of conformity

Vitodens 200-W, type B2HA

We, Viessmann Werke GmbH & Co. KG, D-35107 Allendorf, declare as sole responsible body that the named product complies with the provisions of the following directives and regulations:

92/42/EEC	Efficiency Directive
2009/142/EC	Gas Appliances Directive
2014/30/EU	EMC Directive
2014/35/EU	Low Voltage Directive
2009/125/EC	Ecodesign Framework Directive
2010/30/EU	Energy Labelling Framework Directive
811/2013	EU Regulation "Energy Efficiency Label"
813/2013	EU Regulation "Energy Efficiency Requirements"

Applied standards:

EN 15502-1: 2012 + A1: 2015
EN 15502-2-1: 2012
EN 15502-2-2: 2014
EN 55014-1: 2006 + A1: 2009 + A2: 2011
EN 55014-2: 2015
EN 60335-1: 2012 + AC: 2014
EN 60335-2-102: 2006 + A1: 2010
EN 61000-3-2: 2006 + A1: 2009 + A2: 2009 + 2014
EN 61000-3-3: 2013
EN 62233: 2008

In accordance with the listed directives, this product is designated with **CE-0085**.

Allendorf, 1 May 2016

Viessmann Werke GmbH & Co. KG



Authorised signatory Manfred Sommer

Manufacturer's declaration

This product meets the requirements of the Efficiency Directive (92/42/EEC) for **condensing boilers**.

Manufacturer's certificate according to the 1st BImSchV [Germany]

We, Viessmann Werke GmbH & Co. KG, D-35107 Allendorf, confirm that the product **Vitodens 200-W** complies with the NO_x limits specified by the 1st BImSchV, paragraph 6.

Allendorf, 1 May 2016

Viessmann Werke GmbH & Co. KG



Authorised signatory Manfred Sommer

Keyword index

A		H	
Acknowledging a fault display.....	78	Heating circuit assignment.....	117
B		Heating curve.....	42
Boiler, opening.....	26	Heating curve level.....	43
Boiler water temperature sensor	88	Heating curve slope.....	43
Boosting DHW heating.....	107	Heat-up time.....	116
Brief scans.....	73	I	
Burner gauze assembly.....	37, 38	Ignition.....	38
Burner installation.....	39	Ignition electrodes.....	38
Burner removal.....	36	Ionisation electrode.....	38
C		L	
Code 1		Language selection.....	29
– Calling up.....	47	LON.....	44
Code 2		– Fault monitoring.....	45
– Calling up.....	56	– Subscriber check.....	45
Codes for commissioning.....	42	– Subscriber number setting.....	44
Combustion chamber cleaning.....	39	LON communication module.....	44
Combustion controller.....	118	M	
Commissioning.....	26	Manufacturer's certificate	125
Condensate drain.....	39	Mixer open/closed.....	90
Converting gas type.....	32	O	
Cylinder temperature sensor	88	Operating conditions, scanning.....	73
D		Operating data, scanning.....	73
Date, setting.....	29	Operating program changeover.....	112
Diaphragm expansion vessel.....	40	Outside temperature sensor.....	87
E		R	
Electronic combustion controller.....	118	Raising reduced room temperature.....	116
Extension		Reduced set room temperature.....	43
– AM1.....	110	Reducing heat-up output.....	116
– EA1.....	111	Reducing heat-up time.....	116
– Internal H1.....	108	Relay test.....	76
– Internal H2.....	109	Remote control.....	117
Extension kit for heating circuit with mixer	90	Removing a fault display.....	78
External blocking.....	113	Report.....	121
External demand.....	113	Rotational direction, mixer motor	
F		– Changing.....	91
Fault codes.....	79	– Checking.....	90
Fault history.....	78	S	
Fault manager.....	44	Screed drying.....	114
Fault memory.....	78, 79	Screed drying function.....	114
Fault message call-up.....	78, 79	Service level, calling up.....	72
Faults.....	78	Service menu, calling up.....	72
Faults without fault display.....	87	Set room temperature selection.....	43
Fill water.....	26	Setting the heating output.....	34
Flue gas temperature sensor.....	88	Specification	122
Function descriptions.....	106	Standard set room temperature.....	43
Function testing.....	76	Static pressure.....	33
Fuse.....	90	Supply pressure.....	33
G		System filling.....	26
Gas supply pressure.....	34	System pressure.....	26
Gas train.....	33	System schemes.....	42, 47
Gas type.....	31		
Gas type conversion.....	32		

Keyword index (cont.)

T

Tightness test, balanced flue system..... 35
 Time, setting.....29
 Trap..... 30, 39

V

Venting..... 28
 Venting program..... 114
 Vitotronic 200-H..... 91

W

Wiring diagram..... 119

Applicability

Serial No.:

7571045

7571046

7571047

Viessmann Werke GmbH & Co. KG
D-35107 Allendorf
Telephone: +49 6452 70-0
Fax: +49 6452 70-2780
www.viessmann.com

Viessmann Limited
Hortonwood 30, Telford
Shropshire, TF1 7YP, GB
Telephone: +44 1952 675000
Fax: +44 1952 675040
E-mail: info-uk@viessmann.com

5775 735 GB Subject to technical modifications.