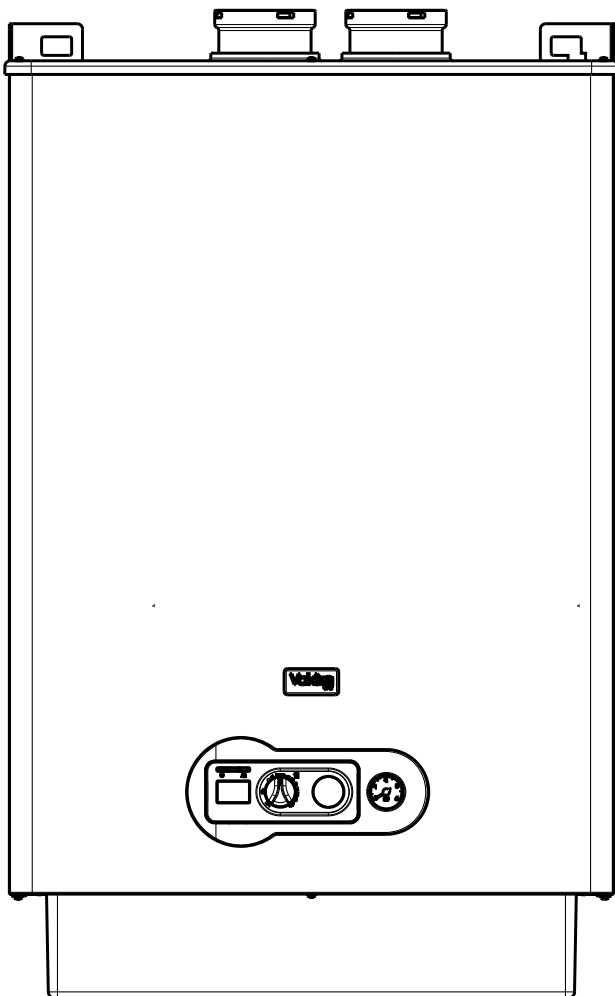


Verve

High efficiency system boiler



Users Instructions

Installation & Servicing Instructions



THESE INSTRUCTIONS
TO BE RETAINED
BY USER



Vokèra is a licensed member of the Benchmark scheme which aims to improve the standards of installation and commissioning of domestic hot water systems in the UK.

Users instructions

Things you should know		Page
1.1	Gas appliances	1
1.2	Electrical supply	1
1.3	Guarantee registration card	1
1.4	Appliance Log Book (UK only)	1
1.5	How does it work?	1
1.6	Dimensions	1
1.7	Clearances required	1
1.8	Frost protection system	1
1.9	Appliance status indicators	1

Getting started		Page
2.1	Before switching ON	3
2.2	Appliance controls	3
2.3	Lighting the boiler	3
2.4	Adjusting the heating temperature	3
2.5	Explanation of features	3
2.6	Automatic temperature control	3

How to...		Page
3.1	How to top-up the system pressure	3
3.2	How to reset the appliance	3
3.3	How to shut down the system for short periods	3
3.4	How to shut down the system for long periods	3
3.5	How to care for the appliance	3

What if...		Page
4.1	What if I suspect a gas leak	4
4.2	What if I have frequently top-up the system	4
4.3	What if the appliance is due its annual service	4
4.4	What if I need to call an engineer	4

Installation and Servicing instructions

Design principles & operating sequence		Page
1.1	Principle components	6
1.2	Mode of operation (at rest)	6
1.3	Mode of operation (heating)	6
1.4	Safety devices	6

Technical data		Page
2.1	Central heating	7
2.2	Gas pressures	7
2.3	Dimensions	7
2.4	Clearances	7
2.5	Connections	7
2.6	Electrical	7
2.7	Flue details (concentric 60-100)	7
2.8	Flue details (concentric 80-125)	7
2.9	Flue details (twin pipes)	7
2.10	Efficiency	7
2.11	Emissions	7
2.12	Pump duty	8

General requirements (UK)		Page
3.1	Related documents	9
3.2	Location of appliance	9
3.3	Gas supply	9
3.4	Flue system	9
3.5	Air supply	9
3.6	Water circulation	9
3.7	Electrical supply	10
3.8	Mounting on a combustible surface	10
3.9	Timber framed buildings	10
3.10	Inhibitors	10
3.11	Showers	10

General requirements (EIRE)		Page
3A.1	Related documents	10
3A.2	Location of appliance	10
3A.3	Gas supply	10
3A.4	Flue system	10
3A.5	Air supply	11
3A.6	Water circulation	11
3A.7	Electrical supply	11
3A.8	Mounting on a combustible surface	11
3A.9	Timber framed buildings	11
3A.10	Inhibitors	11
3A.11	Showers	11
3A.12	Declaration of conformity	11

Installation		Page
4.1	Delivery	12
4.2	Contents	12
4.3	Unpacking	12
4.4	Preparation for mounting the appliance	12
4.5	Fitting the flue	12
4.6	Connecting the gas & water	15
4.7	Electrical connections	16

Commissioning		Page
5.1	Gas supply installation	19
5.2	The heating system	19
5.3	Initial filling of the system	19
5.4	Initial flushing of the system	19
5.5	Pre-operation checks	19
5.6	Initial lighting	19
5.7	Checking gas pressure & combustion analysis	19
5.8	Final flushing of the heating system	19
5.9	Setting the boiler operating temperature	19
5.10	Setting the system design pressure	19
5.11	Regulating the central heating system	20
5.12	Final checks	20
5.13	Instructing the user	20

Servicing		Page
6.1	General	21
6.2	Routine annual servicing	21
6.3	Replacement of components	21
6.4	Component removal procedure	21
6.5	Pump assembly	21
6.6	Safety valve	21
6.7	Lower automatic air release valves	21
6.8	Water pressure switch	21
6.9	Flow thermistor	22
6.10	Return thermistor	22
6.11	Printed circuit board	22
6.12	Gas valve	22
6.13	Electrodes	22
6.14	Flue fan	23
6.15	Mixer	23
6.16	Burner	23
6.17	Main heat exchanger	23
6.20	Condense trap removal	24
6.21	Flue collector removal	24

Checks, adjustments and fault finding		Page
7.1	Checking appliance operation	25
7.2	Appliance modes of operation	25
7.3	Setting the thermoregulation	26
7.4	Checking/adjusting the appliance fan speed	27
7.5	Checking the CO ₂ & adjusting the valve	27
7.6	Range rated	28
7.7	Combustion analysis test	29
7.8	External faults	30
7.9	Electrical checks	30
7.10	Component values & characteristics	30
7.11	Appliance status led and fault codes	31
7.12	Boiler configuration	31

Wiring diagrams		Page
8.1	External wiring	26
8.2	Typical control applications	26
8.3	Other devices	26

L.P.G. instructions		Page
10.1	Related documents	33
10.2	Technical data	33
10.3	Converting the appliance gas type	33
10.4	Gas supply	33
10.5	Gas supply installation	33
10.6	Checking the CO ₂ and adjusting the gas valve	33
10.7	Adjusting the appliance fan speeds	34

Benchmark		36-37
------------------	--	--------------

RANGE RATED

This boiler can be adapted to the plant's thermal needs. In fact, the maximum flow rate can be set for the boiler operating in heating mode. See the "Settings" chapter for how to set it.

Once the required (maximum heating) power is set indicate the value on the self-adhesive label provided. For subsequent checks and adjustments, see the value set.

USERS INSTRUCTIONS

INTRODUCTION

Dear Customer

Your Vokèra Verve boiler has been designed to meet and exceed the very latest standards in gas central heating technology, and if cared for, will give years of reliable use and efficiency.

Please therefore take some time to read these instructions carefully.

Do's and Don't's

- **Do** ensure that the system pressure is periodically checked
- **Do** ensure that the boiler should not be used by children or unassisted disabled people
- **Do** ensure that you know how to isolate the appliance in an emergency
- **Do** ensure that you are familiar with the appliance controls
- **Do** ensure that your installer has completed the appliance log book section
- **Do not** attempt to remove the appliance casing or gain internal access
- **Do not** hang clothes etc. over the appliance
- **Do not** forget to have the appliance serviced annually.

This booklet is an integral part of the appliance. It is therefore necessary to ensure that the booklet is handed to the person responsible for the property in which the appliance is located/installed. A replacement copy can be obtained from Vokèra customer services.

1. THINGS YOU SHOULD KNOW

1.1 GAS APPLIANCES

Gas Safety (Installations and Use) Regulations (UK).

In the interests of your safety and that of others it is a legal requirement that all gas appliances are installed and correctly maintained by a competent person and in accordance with the latest regulations.

1.2 ELECTRICAL SUPPLY

Please ensure that this appliance has been properly connected to the electrical supply by means of a double pole isolator or un-switched socket, and that the correct size of fuse (3 AMP) has been fitted.

Warning: this appliance must be earthed!

1.3 GUARANTEE REGISTRATION CARD

Please take the time to fill out your guarantee registration card. The completed warranty card should be posted within 30 days of installation.

1.4 APPLIANCE LOG BOOK (UK only)

A logbook section can be found at the rear of the appliance installation booklet. This important document must be completed during the installation/commissioning of your boiler. All GAS SAFE registered installers carry a GAS SAFE ID card, and have a registration number. These details should be recorded in the Benchmark logbook section within the installation booklet. You can check your installers details by calling GAS SAFE direct on 08004085500. Failure to install and commission the appliance in accordance with the manufacturers instructions may invalidate the warranty. This does not affect your statutory rights.

1.5 HOW DOES IT WORK?

Your Verve boiler supplies heated water to your radiators and hot water to your hot water tank.

The central heating is controlled via a time clock and any thermostats that your installer may have fitted.

The boiler will light when it receives a request from the time clock via any thermostat that may be installed.

Your Verve boiler lights electronically and does not have a pilot light.

In the unlikely event of a fault developing with your boiler, the supply of gas to the burner will be terminated automatically. For the installation it is recommended to use an hydraulic separator to supply the heating (fig. 20); in case of hot water use a three way valve to supply the tank (fig. 20)

1.6 DIMENSIONS

Verve	
HEIGHT	858 mm (*)
WIDTH	553mm
DEPTH	284 mm

(*) with hydraulic cover

1.7 CLEARANCES REQUIRED

ABOVE	see section 4
BELOW	see section 4
LEFT SIDE	100 mm
RIGHT SIDE	100 mm
FRONT	600 mm

1.8 FROST PROTECTION SYSTEM

The Verve is equipped with a built-in frost protection system, this enables the boiler to over-ride the time controls – even if switched off – and operate the burner and/or pump, should the temperature drop below 5°C for the main. In particular the burner will be in ON status until the main temperature reaches 35°C for CH appliance.

Please note that the frost protection system is designed to protect the appliance only, should frost protection be required for the heating system, additional controls may be required.

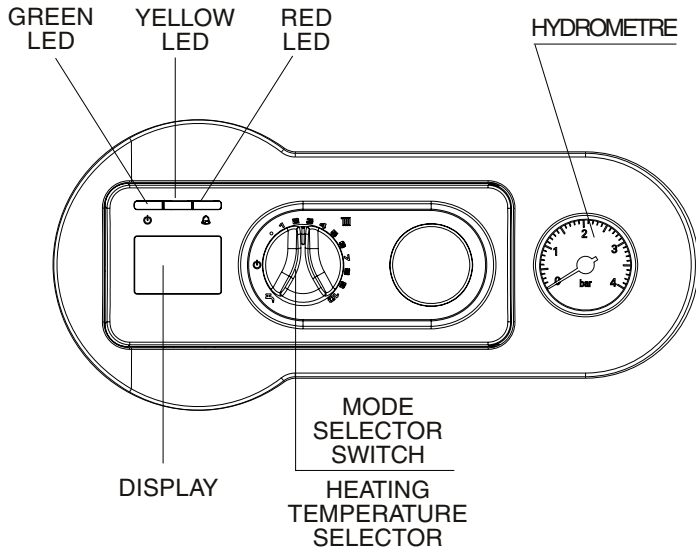
NOTE

The frost protection system is reliant on the appliance having a permanent electrical supply, and being in a non-fault condition.

1.9 APPLIANCE STATUS INDICATORS

Your boiler is equipped with 3 status LED indicators, the Green LED indicates that the flame is present, the Red LED indicates the appliance has detected a fault, whilst the Yellow LED indicates that there is Servicing operation in progress, and with a display that indicates the operating temperature and the fault codes.

Fig. 1



DISPLAY



BOILER STATUS LED

Green LED Boiler is working/responding to a heating/hot water request

Red LED Boiler has identified a fault and has failed-safe. Refer to instructions on how to reset

Yellow LED Service operation

DISPLAY

Indicates the operating temperature and the fault codes

PRESSURE GAUGE

Ensure the system pressure is set correctly (minimum 0.5-bar)

MODE SELECTOR SWITCH/HEATING TEMPERATURE SELECTOR

Mode selector switch:

DISPLAY

Description of the icons

- System loading - this icon is visualised together with a fault code A 04
- Heat-adjustment: indicates the connection to an external probe
- Flame failure - this icon is visualised together with a fault code A 01
- Irregularity: indicates any operating irregularities, together with a fault code
- Heating operation
- Domestic hot water operation (optional)
- Anti-freeze: indicates that the anti-freeze cycle has been activated

65° Heating/domestic hot water temperature or fault code

<p> Heating & hot water - Select this position when you want the boiler to respond to a heating request from the time-clock programmer and hot water request from the tank thermostat</p> <p>Heating temperature selector: move the selector clockwise to increase the heating outlet temperature, or counter-clockwise to reduce the temperature range:</p> <ul style="list-style-type: none"> - 40°C-80°C for standard systems - 20°C-45°C for floor heating heating (<i>contact Vokera technical if used in conjunction with DHW cylinder</i>) <p>The automatic temperature control function (SARA) is set within position 4 and 6 (55 ÷ 65 °C), the display indicates the heating water temperature</p>	
<p> Hot water only: only used in conjunction with the optional 3 way valve kit.</p>	
<p> Boiler at OFF/standby - Select this position when you want the boiler to be switched off for short periods (days) or if the boiler requires to be reset</p>	
<p> Pressure gauge shows the current pressure of your heating system, the gauge should be set between 1,5 and 2.0 BAR. When the appliance is operating the gauge may rise or fall slightly, this is quite normal. The minimum permissible level for the safe and efficient operation of the appliance is 0.5 BAR. Should the pressure fall below 0.5 BAR, the boiler may lockout.</p>	<p>correct pressure value</p>

2. GETTING STARTED

2.1 BEFORE SWITCHING ON

Before switching the appliance on, please familiarise yourself with:

- how to isolate the appliance from the gas, water, and electricity supplies;
- how to check and top-up – if necessary – the system water pressure;
- the time clock or programmer (if fitted);
- any external thermostats and their functions;
- the appliance controls.

2.2 APPLIANCE CONTROLS (see fig. 1)

The appliance controls are situated on the lower front of the appliance. The appliance controls include:

- pressure gauge;
- appliance mode selector;
- temperature selector;
- display
- burner ON mode (green);
- fault indicator (red);
- servicing mode indicator (yellow)
- optional integral time clock/programmer (if fitted).

NOTE

The appliance frost protection is active in all the boiler modes. The **temperature selector** can be used to vary the temperature of the water that circulates around your radiators.

The **display and LEDs** normally show the status of the appliance. When the **status indicator (Green) is lit** it indicates that the flame is present and the burner is ON.

When the **fault indicator (Red) is lit** it indicates that the appliance has identified a possible fault and performed a safety lockout.

When the **fault indicator (Yellow) is lit** it indicates that there is a Servicing operation in progress.

The **integral time clock (when fitted)** can be used to switch the heating on and off at pre-determined intervals.

2.3 LIGHTING THE BOILER

Ensure the gas and electrical supply to the boiler are turned on.

Turn the mode selector switch to the **ON** position.

After being powered, the boiler begins an automatic vent cycle lasting approximately 2 minutes.

During this phase the display shows the icons .

To interrupt the automatic vent cycle proceed as follows: access the electronic board by removing the casing, turning the control panel towards you and opening the board cover. push the SW1 (CO) button (fig. 40)

When there is a request for heating or hot water, the boiler will begin an ignition sequence. When the appliance reaches the target temperature, the burner will go off for a minimum period of approximately 3 minutes.

When the programmer/time clock or external thermostats request has been satisfied, the appliance will switch off automatically.

2.4 ADJUSTING THE HEATING TEMPERATURE

Rotate the temperature selector – clockwise to increase, counter-clockwise to decrease – to the desired temperature setting.

Depending on the type of the system, it is possible to pre-select the suitable temperature range:

- standard systems: 40-80 °C
- floor systems: 20-45 °C

For further details consult the "Boiler configuration" section 7.12.

2.5 EXPLANATION OF FEATURES

Although the Vokèra Verve has been designed for simplicity of use, it utilises the latest in boiler technology, enabling a host of functions to be carried out simultaneously.

2.6 AUTOMATIC TEMPERATURE CONTROL

The automatic temperature control function (SARA), permits the boiler (when the heating temperature selector is set within 4 and 6 sector) to automatically adjust (raise) the heating.

The activation and the disable of the function is visualized by blinking the green led.


3. HOWTO...

3.1 HOW TO TOP-UP THE SYSTEM PRESSURE (fig. 1-2)

The system pressure must be checked periodically to ensure the correct operation of the boiler. The needle on the gauge should be reading between 1.5 and 2.0 BAR when the boiler is in an off position and has cooled to room temperature. If the pressure requires 'topping-up' use the following instructions as a guide.

- Locate the filling valve connections (usually beneath the boiler, see fig. 2).
- Attach the filling loop to both connections.
- Open the filling valve slowly until you hear water entering the system.
- Close the filling valve when the pressure gauge (on the boiler) reads between 1.5 and 2.0 BAR (see fig. 1).
- Remove the filling loop from the connections.

3.2 HOW TO RESET THE APPLIANCE

When the red fault LED is illuminated, the appliance will require to be reset manually. Before resetting the boiler, check what action is required to be taken, using the information on the fault code table below. Allow a period of two minutes to elapse before rotate the mode selector knob across the  position (see fig. 1).

IMPORTANT

If the appliance requires to be reset frequently, it may be indicative of a fault, please contact your installer or Vokèra Customer Services for further advice.

3.3 HOW TO SHUT DOWN THE SYSTEM FOR SHORT PERIODS

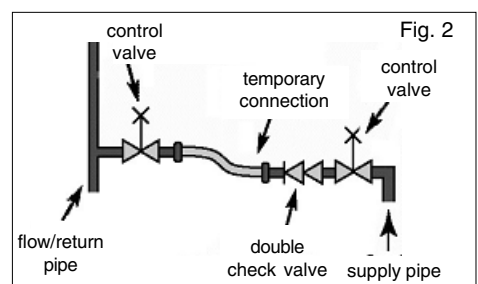
The system and boiler can be shut down for short periods by simply turning the time clock to the off position. It is also advisable to turn off the main water supply to the house.

3.4 HOW TO SHUT DOWN THE SYSTEM FOR LONG PERIODS


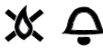









If the house is to be left unoccupied for any length of time – especially during the winter – the system should be thoroughly drained of all water. The gas, water, and electricity supply to the house should also be turned off. For more detailed advice contact your installer.

3.5 HOW TO CARE FOR THE APPLIANCE

To clean the outer casing use only a clean damp cloth. Do not use any scourers or abrasive cleaners.



FAULT CODES

	Alarm type	Alarm code	Display	Led RED	Led YELLOW	Led GREEN
Purge cycle mode active	NA			BLINKING	BLINKING	BLINKING
Ignition failure, flame not sensed, condense sensor activated, differential pressure fault	Final	A 01		ON	OFF	OFF
Alarm high limit thermostat	Final	A 02		BLINKING	OFF	OFF
Failure fan speed	Final	A 03		ON	OFF	ON
Alarm system water pressure	Final	A 04		ON	OFF	ON
Flow temperature too high, temperature differential too high, flow thermistor fault	Final	A 07		ON	OFF	OFF
Return temperature too high, temperature differential too high, return thermistor fault	Final	A 08		ON	OFF	OFF
Failure flue sensor, cleaning primary exchanger	Final	A 09		BLINKING	OFF	BLINKING
Alarm high limit flue sensor	Final	A 09		ON	OFF	OFF
Alarm underfloor heating thermostat	Final	A 77		ON	OFF	OFF
Combustion analysis test	NA	A CO		OFF	BLINKING	OFF
Service operation	NA	A DJ		OFF	BLINKING	OFF
Flame ON	NA			OFF	OFF	ON
Boiler stand-by	NA			OFF	OFF	BLINKING

4. WHAT IF...

4.1 WHAT IF I SUSPECT A GAS LEAK

If you suspect a gas leak, turn off the gas supply at the gas meter and contact your installer or local gas supplier. If you require further advice please contact your nearest Vokèra office.

4.2 WHAT IF I HAVE FREQUENTLY TO TOP-UP THE SYSTEM

If the system regularly requires topping-up, it may be indicative of a leak. Please contact your installer and ask him to inspect the system.

4.3 WHAT IF THE APPLIANCE IS DUE ITS ANNUAL SERVICE

Advice for tenants only

Your landlord should arrange for servicing.

Advice for homeowners

Please contact Vokèra Customer Service (**0844 3910999 (UK)** or **056 7755057 (ROI)**) if you would prefer a Vokèra service engineer or agent to service your appliance. Alternatively your local GAS SAFE registered engineer may be able to service the appliance for you.

4.4 - WHAT IF I NEED TO CALL AN ENGINEER

If you think your boiler may have developed a fault, please contact your installer or Vokèra Customer Services (**0844 3910999 (UK)** or **056 7755057 (ROI)**) have all your details to hand including full address and postcode, relevant contact numbers, and your completed appliance log book.

INSTALLATION AND SERVICING INSTRUCTIONS

INTRODUCTION

The Verve is a high-efficiency boiler with outputs of 47kW. This appliance – by design – incorporate electronic ignition, circulating pump, differential pressure switch, safety valve, pressure gauge, premix combustion and radial aluminium heat exchanger.

Verve is produced as room sealed, category II2H3P appliances, suitable for internal wall mounting applications only. Each appliance is provided with a fan powered flue outlet with an annular co-axial combustion air intake that can be rotated – horizontally – through 360 degrees for various horizontal or vertical applications. The Verve can also be used with the

Vokèra twin flue system.

The Verve is approved for use with C13 & C33 type flue applications.

These appliances are designed for use with a sealed system only; consequently they are not intended for use on open vented systems.

This booklet is an integral part of the appliance. It is therefore necessary to ensure that the booklet is handed to the person responsible for the property in which the appliance is located/installed. A replacement copy can be obtained from Vokèra customer services.

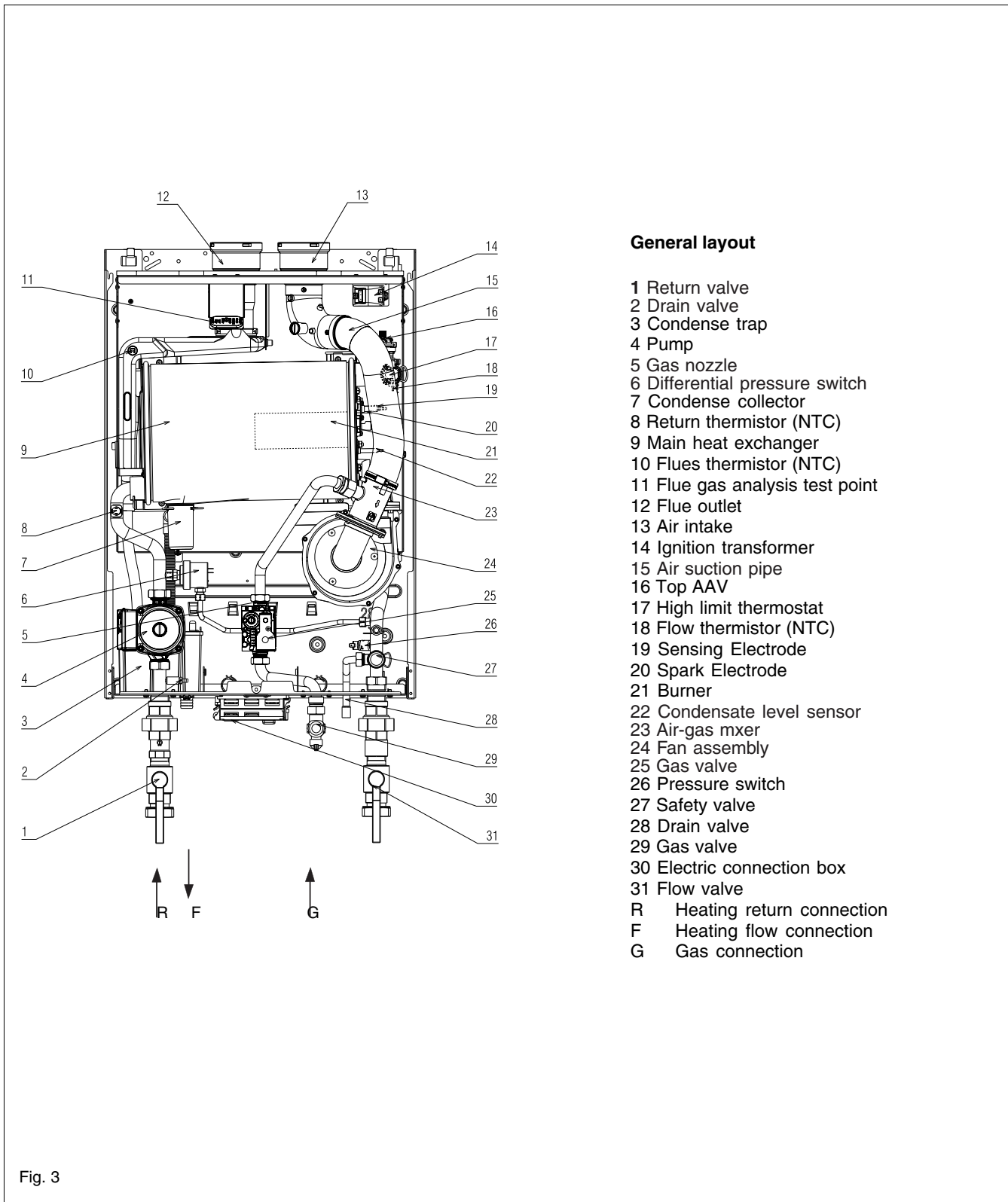


Fig. 3

SECTION 1 - DESIGN PRINCIPLES AND OPERATING SEQUENCE

1.1 PRINCIPLE COMPONENTS

- A fully integrated electronic control board featuring electronic temperature control, anti-cycle control, pump over-run, self-diagnostic fault indicator, full air/gas modulation
- Aluminium heat exchanger
- Electronic ignition with flame supervision
- Integral high-head pump
- Fan
- Water pressure switch
- Flue sensor
- Pressure gauge
- Safety valve
- Differential pressure switch

1.2 MODE OF OPERATION (at rest)

When the appliance is at rest and there are no requests for heating or hot water, the following functions are active:

- frost-protection system – the frost-protection system protects the appliance against the risk of frost damage. For CH line, if the main temperature falls to 5°C, the appliance will function on minimum power until the temperature on main reaches 35°C.
- anti-block function – the anti-block function enables the pump to be energised for short periods, when the appliance has been inactive for more than 24-hours.

1.3 MODE OF OPERATION

Heating

When there is a request for heat via the time clock and/or any external control, the pump and fan are started, the fan speed will modulate until the correct signal voltage is received at the control PCB. At this point an ignition sequence is enabled. Ignition is sensed by the electronic circuit to ensure flame stability at the burner. Once successful ignition has been achieved the boiler's output will either be increase to maximum or modulate to suit the set requirement.

When the appliance reaches the desired temperature the burner will shut down and the boiler will perform a three-minute anti-cycle (timer delay).

When the request for heat has been satisfied the appliance pump and fan may continue to operate to dissipate any residual heat within the appliance.

Hot water (optional 3-way valve kit installed)

When there is a request for heat via tank thermostat, the external 3-way valve switches on tank circuit, the pump and fan are started, the fan speed will modulate until the correct signal voltage is received at the control PCB. At this point an ignition sequence is enabled.

Ignition is sensed by the electronic circuit to ensure flame stability at the burner. Once successful ignition has been achieved the boiler's output will either be increase to maximum or modulate to suit 80 °C.

When the hot water reaches the desired temperature (tank thermostat opened) the burner will shut down, the pump is off and 3-way valve switches on heating circuit.

1.4 SAFETY DEVICES

When the appliance is in use, safe operation is ensured by:

- a water pressure switch that monitors system water pressure and will de-activate the pump, fan, and burner should the system water pressure drop below the rated tolerance;
- fan speed sensor to ensure safe operation of the burner;
- a high limit thermostat that over-rides the temperature control circuit to prevent or interrupt the operation of the burner;
- flame sensor that will shut down the burner when no flame signal is detected;
- flue sensor;
- a safety valve which releases excess pressure from the primary circuit;
- a sensor that interrupts the operation of the appliance if the condense pipe becomes blocked
- a differential pressure switch that monitors system water flow and will de-activate the gas valve.

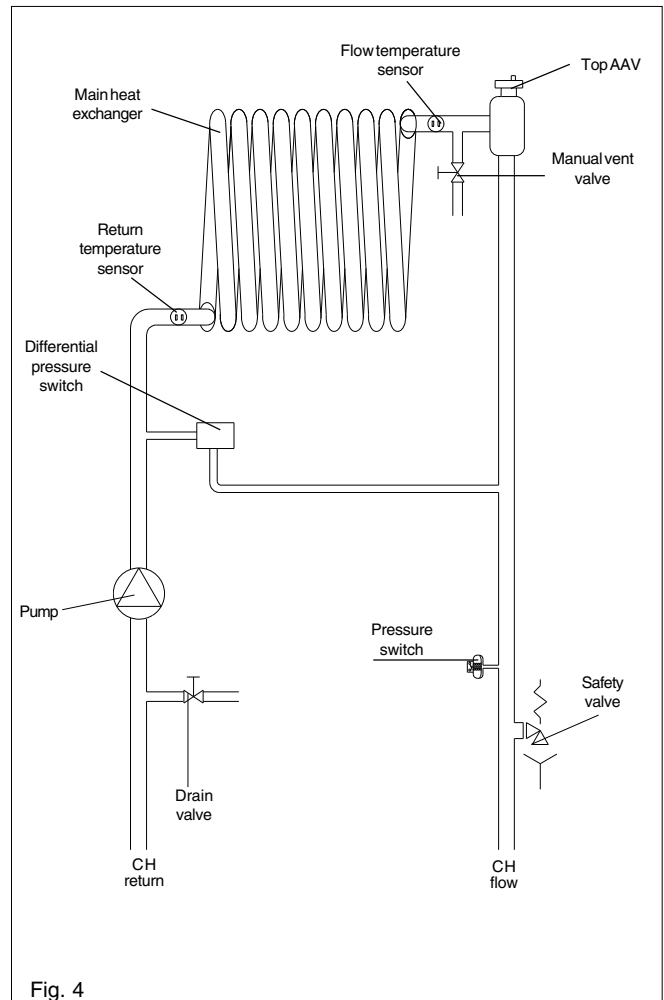


Fig. 4

SECTION 2 - TECHNICAL DATA

2.1 Central Heating	VERVE
Heat input (kW)	47.00
Maximum heat output (kW) 60/80°C	45.78
Minimum heat output (kW) 60/80°C	9.00 (G20) 12.00 (G31)
Maximum heat output (kW) 30/50°C	49.91
Minimum heat output (kW) 30/50°C	9.72 (G20) 12.71(G31)
Minimum working pressure	0.5 bar
Maximum working pressure	3.5 bar
Minimum flow rate	2000 l/h (*)
2.2 Gas Pressures	
Inlet pressure (G20)	20.0 mbar
Heating maximum gas rate (m ³ /hr)	4.97
Minimum gas rate (m ³ /hr)	0.95
Injector size (mm)	9.2
2.3 Dimensions	
Height (mm)	858 with hydraulic cover
Width (mm)	553
Depth (mm)	284
Dry weight (kg)	39
2.4 Clearances	
Sides	100 mm
Top	see section 4
Bottom	see section 4
Front	600 mm
2.5 Connections	
Flow & return	1½" mm
Gas	22 mm
Safety valve	15 mm
Condense	21 mm
2.6 Electrical	
Power consumption (Watts)	164W
Supply (V/Hz)	230/50
Internal fuse	3.15A T (for PCB) - 3.15A F (for connections block)
External fuse	3A
2.7 Flue Details (concentric 60/100)	
Maximum horizontal flue length (60/100mm)	1.8m
Maximum vertical flue length (60/100mm)	2.8m
2.8 Flue Details (concentric 80/125)	
Maximum horizontal flue length (80/125mm)	4.8m
Maximum vertical flue length (80/125mm)	7.0m
2.9 Flue Details (twin pipes)	
Maximum horizontal flue length (80mm/80mm)	20m/20m
Maximum vertical flue length (80mm/80mm)	20m/20m
2.10 Efficiency	
SEDBUK (%)	90.08
2.11 Emissions	
CO ₂ @ maximum output (%)	9.0
CO ₂ @ minimum output (%)	9.5
CO @ maximum output (ppm)	200
CO @ minimum output (ppm)	20
NOx maximum output (ppm)	30
NOx minimum output (ppm)	25
NOx rating	class 5

Ref. Condition 15 °C, 1013,25 mbar, dry gas

NOTE: L.P.G. data refer to section 10

*The system should be so designed and balanced to ensure a minimum and maximum temperature differential of 10 °C and 20 °C respectively, when the appliance is operating at maximum output.

2.12 PUMP DUTY

Fig. 6 shows the flow-rate available – after allowing for pressure loss through the appliance – for system requirements. When using this graph, apply only the pressure loss of the system. The graph is based on a 20°C temperature differential.

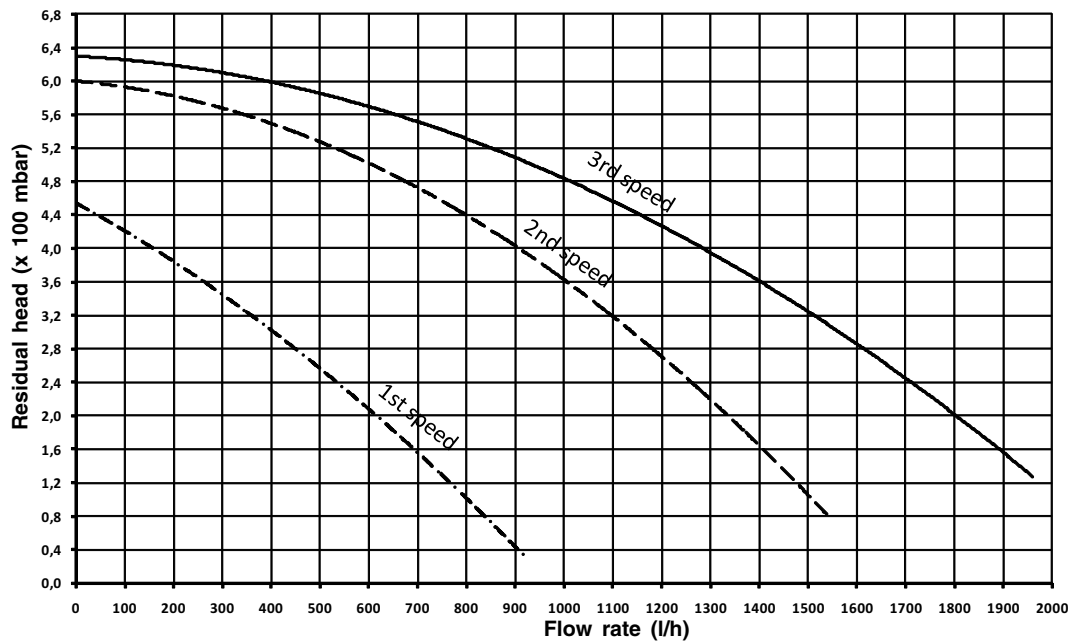
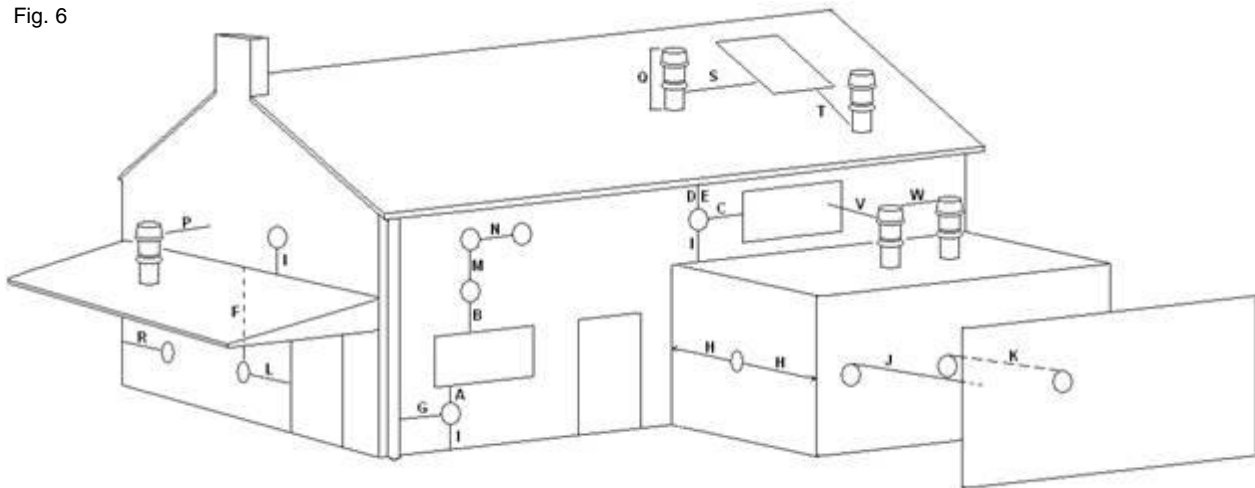


Fig. 5

Fig. 6



Key	Location	Minimum distance
A	Below an opening (window, air-brick, etc.)	300 mm
B	Above an opening (window, air-brick, etc.)	300 mm
C	To the side of an opening (window, air-brick, etc.)	300 mm
D	Below gutter, drain-pipe, etc.	25 mm
E	Below eaves	25 mm
F	Below balcony, car-port roof, etc.	25 mm
G	To the side of a soil/drain-pipe, etc.	25 mm (60mm for 80/125 - 5" flue)
H	From internal/external corner	25 mm (60mm for 80/125 - 5" flue)
I	Above ground, roof, or balcony level	300 mm
J	From a surface or boundary facing the terminal	600 mm
K	From a terminal facing a terminal	1200 mm
L	From an opening in the car-port into the building	1200 mm
M	Vertically from a terminal on the same wall	1500 mm
N	Horizontally from a terminal on the same wall	300 mm
P	From a structure to the side of the vertical terminal	300 mm
Q	From the top of the vertical terminal to the roof flashing	As determined by the fixed collar of the vertical terminal
R	To the side of a boundary	300 mm
S	To the side of an opening or window on a pitched roof	600 mm
T	Below an opening or window on a pitched roof	2000 mm
V	From a vertical terminal to an adjacent opening (window, air-brick, etc.)	(call Vokera technical for advice)
W	From a vertical terminal to an adjacent vertical terminal	300 mm (only if both terminals are the same height)

SECTION 3 - GENERAL REQUIREMENTS (UK)

This appliance must be installed by a competent person in accordance with the Gas Safety (Installation & Use) Regulations.

3.1 RELATED DOCUMENTS

The installation of this boiler must be in accordance with the relevant requirements of the Gas Safety (Installation & Use) Regulations, the local building regulations, the current I.E.E. wiring regulations, the bylaws of the local water undertaking, the Building Standards (Scotland) Regulation and Building Standards (Northern Ireland) Regulations.

It should be in accordance also with any relevant requirements of the local authority and the relevant recommendations of the following British Standard Codes of Practice.

3.2 LOCATION OF APPLIANCE

The appliance may be installed in any room or internal space, although particular attention is drawn to the requirements of the current I.E.E. wiring regulations, and in Scotland, the electrical provisions of the Building Regulations, with respect to the

BS 5440	PART 1	FLUES
BS 5440	PART 2	FLUES & VENTILATION
BS 5449	PART 1	FORCED CIRCULATION HOT WATER SYSTEMS
BS 5546		INSTALLATION OF GAS HOT WATER SUPPLIES FOR DOMESTIC PURPOSES
BS 6798		INSTALLATION OF BOILERS OF RATED INPUT NOT EXCEEDING 60kW
BS 6891		LOW PRESSURE INSTALLATION PIPES
BS 7074	PART 1	APPLICATION, SELECTION, AND INSTALLTION OF EXPANSION VESSELS AND ANCILLARY EQUIPMENT FOR SEALED WATER SYSTEMS

installation of the appliance in a room or internal space containing a bath or shower.

When an appliance is installed in a room or internal space containing a bath or shower, the appliance or any control pertaining to it must not be within reach of a person using the bath or shower. The location chosen for the appliance must permit the provision of a safe and satisfactory flue and termination. The location must also permit an adequate air supply for combustion purposes and an adequate space for servicing and air circulation around the appliance. Where the installation of the appliance will be in an unusual location special procedures may be necessary, BS 6798 gives detailed guidance on this aspect. A compartment used to enclose the appliance must be designed and constructed specifically for this purpose. An existing compartment/cupboard may be utilised provided that it is modified to suit. Details of essential features of compartment/cupboard design including airing cupboard installations are given in BS 6798. This appliance is not suitable for external installation.

3.3 GAS SUPPLY

The gas meter – as supplied by the gas supplier – must be checked to ensure that it is of adequate size to deal with the maximum rated input of all the appliances that it serves. Installation pipes must be fitted in accordance with BS 6891. Pipe work from the meter to the appliance must be of adequate size. Pipes of a smaller size than the appliance gas inlet connection must not be used. The installation must be tested for tightness in accordance with BS6891.

If the gas supply serves more than one appliance, it must be ensured that an adequate supply is maintained to each appliance when they are in use at the same time.

3.4 FLUE SYSTEM

The terminal should be located where the dispersal of combustion products is not impeded and with due regard for the damage and discoloration that may occur to building products located nearby. The terminal must not be located in a place where it is likely to cause a nuisance (see fig. 7). In cold and/or humid weather, water vapour will condense on leaving the terminal; the effect of such plumbing must be considered.

If installed less than 2m above a pavement or platform to which people have access (including balconies or flat roofs) the terminal must be protected by a guard of durable material.

The guard must be fitted centrally over the terminal. Refer to BS 5440 Part 1, when the terminal is 0.5 metres (or less) below plastic guttering or 1 metre (or less) below painted eaves.

3.5 AIR SUPPLY

The following notes are intended for general guidance only. This appliance is a room-sealed, fan-flued boiler, consequently it does not require a permanent air vent for combustion air supply. When installed in a cupboard or compartment, ventilation for cooling purposes is also not required.

3.6 WATER CIRCULATION

Detailed recommendations are given in BS 5449 Part 1 and BS 6798. The following notes are for general guidance only.

3.6.1 PIPEWORK

It is recommended that copper tubing to BS 2871 Part 1 is used in conjunction with soldered capillary joints. Where possible pipes should have a gradient to ensure air is carried naturally to air release points and that water flows naturally to drain

cocks. Except where providing useful heat, pipes should be insulated to avoid heat loss and in particular to avoid the possibility of freezing. Particular attention should be paid to pipes passing through ventilated areas such as under floors, loft space and void areas.

3.6.2 HYDRAULIC SEPARATOR

Vokera advise that the appliance should be combined with a hydraulic separator (20028475) to supply the heating system to ensure the correct flow rate through the boiler at all times. (see fig. 19)

3.6.3 DRAIN COCKS

These must be located in accessible positions to facilitate draining of the appliance and all water pipes connected to the appliance. The drain cocks must be manufactured in accordance with BS 2879.

3.6.4 AIR RELEASE POINTS

These must be positioned at the highest points in the system where air is likely to be trapped. They should be used to expel trapped air and allow complete filling of the system.

3.6.5 EXPANSION VESSEL

The boiler is not fitted with an expansion tank, so you must install a closed tank on the system to ensure the correct appliance functions.

The dimensions of the expansion tank must be suitable for the heating system characteristics and the tank capacity must meet the requisites of the current regulations.

3.6.6 FILLING POINT

A method for initial filling of the system and replacing water lost during servicing etc. directly from the mains supply, is provided (see fig. 7). This method of filling complies with the current Water Supply (Water Fittings) Regulations 1999 and Water By laws 2000 (Scotland). If an alternative location is preferred, it should be connected as detailed in fig. 7.

3.6.7 LOW PRESSURE SEALED SYSTEM

An alternative method of filling the system would be from an independent make-up vessel or tank mounted in a position at least 1 metre above the highest point in the system and at least 5 metres above the boiler (see fig. 8).

The cold feed from the make-up vessel or tank must be fitted with an approved non-return valve and stopcock for isolation purposes. The feed pipe should be connected to the return pipe as close to the boiler as possible.

3.6.8 FREQUENT FILLING

Frequent filling or venting of the system may be indicative of a leak. Care should be taken during the installation of the appliance to ensure all aspects of the system are capable of withstanding pressures up to at least 3.5 bar.

3.7 ELECTRICAL SUPPLY

The appliance is supplied for operation on 230V @ 50Hz electrical supply; it must be protected with a 3-amp fuse. The method of connection to the mains electricity supply must allow for complete isolation from the supply. The preferred method is by using a double-pole switch with a contact separation of at least 3,5mm (3rd high-voltage category). The switch must only supply the appliance and its corresponding controls, i.e. time clock, room thermostat, etc. Alternatively an un-switched shuttered socket with a fused 3-pin plug both complying with BS 1363 is acceptable.

3.8 MOUNTING ON A COMBUSTIBLE SURFACE

If the appliance is to be fitted on a wall of combustible material, a sheet of fireproof material must protect the wall.

3.9 TIMBER FRAMED BUILDINGS

If the appliance is to be fitted in a timber framed building, it should be fitted in accordance with the Institute of Gas Engineers publication (IGE/UP/7) 'Guide for Gas Installations in Timber Frame Buildings'.

3.10 INHIBITORS

Vokèra recommend that an inhibitor - suitable for use with aluminium heat exchangers - is used to protect the boiler and system from the effects of corrosion and/or electrolytic action. The inhibitor must be administered in strict accordance with the manufacturers instructions*.

*Water treatment of the complete heating system - including the boiler - should be carried out in accordance with BS 7593 and the Domestic Water Treatment Association's (DWTA) code of practice.

3.11 SHOWERS

If the appliance is intended for use with a shower, the shower must be thermostatically controlled and be suitable for use with a combination boiler.

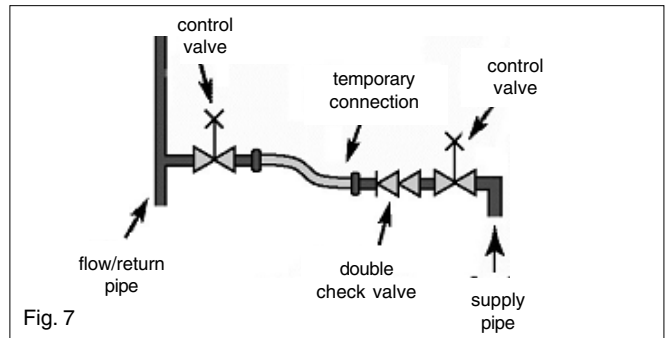


Fig. 7

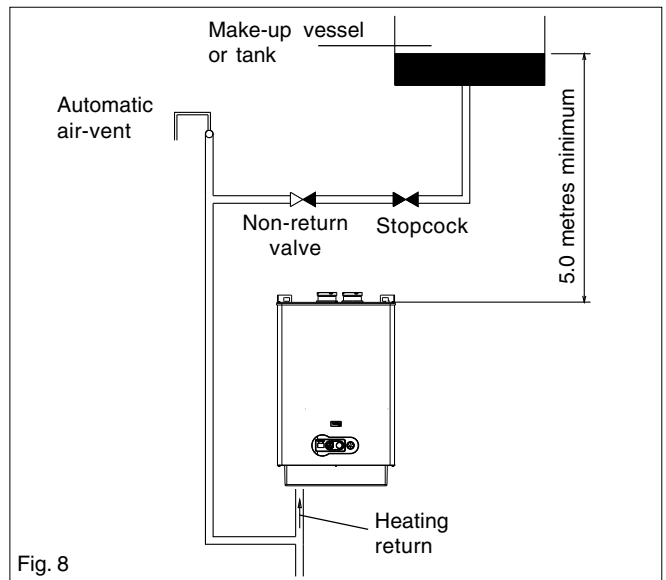


Fig. 8

SECTION 3A - GENERAL REQUIREMENTS (EIRE)

This appliance must be installed by a competent person in accordance with and defined by, the Standard Specification (Domestic Gas Installations) Declaration (I.S. 813).

3A.1 RELATED DOCUMENTS

The installation of this boiler must be in accordance with the relevant requirements of the local building regulations, the current ETCI National Rules for Electrical Installations and the bylaws of the local water undertaking. It should be in accordance also with any relevant requirements of the local and/or district authority.

3A.2 LOCATION OF APPLIANCE

The appliance may be installed in any room or internal space, although particular attention is drawn to the requirements of the current ETCI National Rules for Electrical Installations, and I.S. 813, Annex K.

When an appliance is installed in a room or internal space containing a bath or shower, the appliance or any control pertaining to it must not be within reach of a person using the bath or shower.

The location chosen for the appliance must permit the provision of a safe and satisfactory flue and termination. The location must also permit an adequate air supply for combustion purposes and an adequate space for servicing and air circulation around the appliance. Where the installation of the appliance will be in an unusual location special procedures may be necessary, refer to I.S. 813 for detailed guidance on this aspect. A compartment used to enclose the appliance must be designed

and constructed specifically for this purpose. An existing compartment/cupboard may be utilised provided that it is modified to suit.

This appliance is not suitable for external installation.

3A.3 GAS SUPPLY

The gas meter – as supplied by the gas supplier – must be checked to ensure that it is of adequate size to deal with the maximum rated input of all the appliances that it serves. Installation pipes must be fitted in accordance with I.S. 813. Pipe work from the meter to the appliance must be of adequate size. Pipes of a smaller size than the appliance gas inlet connection must not be used. The installation must be tested for tightness in accordance with I.S. 813.

If the gas supply serves more than one appliance, it must be ensured that an adequate supply is maintained to each appliance when they are in use at the same time.

3A.4 FLUE SYSTEM

The terminal should be located where the dispersal of combustion products is not impeded and with due regard for the damage and discoloration that may occur to building products located nearby. The terminal must not be located in a place where it is likely to cause a nuisance (see I.S. 813).

In cold and/or humid weather, water vapour will condense on leaving the terminal; the effect of such plumbing must be considered.

If installed less than 2m above a pavement or platform to which people have access (including balconies or flat roofs) the

terminal must be protected by a guard of durable material. The guard must be fitted centrally over the terminal. Refer to I.S. 813, when the terminal is 0.5 metres (or less) below plastic guttering or 1 metre (or less) below painted eaves.

3A.5 AIR SUPPLY

The following notes are intended for general guidance only. This appliance is a room-sealed, fan-flued boiler, consequently it does not require a permanent air vent for combustion air supply.

When installed in a cupboard or compartment, ventilation for cooling purposes is also not required.

3A.6 WATER CIRCULATION

Specific recommendations are given in I.S. 813. The following notes are for general guidance only.

3A.6.1 PIPEWORK

It is recommended that copper tubing be used in conjunction with soldered capillary joints.

Where possible pipes should have a gradient to ensure air is carried naturally to air release points and that water flows naturally to drain cocks.

Except where providing useful heat, pipes should be insulated to avoid heat loss and in particular to avoid the possibility of freezing. Particular attention should be paid to pipes passing through ventilated areas such as under floors, loft space and void areas.

3A.6.2 HYDRAULIC SEPARATOR

Vokera advise that the appliance should be combined with a hydraulic separator (20028475) to supply the heating system to ensure the correct flow rate through the boiler at all times. (see fig. 19)

3A.6.3 DRAIN COCKS

These must be located in accessible positions to facilitate draining of the appliance and all water pipes connected to the appliance.

3A.6.4 AIR RELEASE POINTS

These must be positioned at the highest points in the system where air is likely to be trapped. They should be used to expel trapped air and allow complete filling of the system.

3A.6.5 EXPANSION VESSEL

WARNING: the boiler is not fitted with an expansion tank, so you must install a closed tank on the system to ensure the correct appliance functions.

The dimensions of the expansion tank must be suitable for the heating system characteristics and the tank capacity must meet the requisites of the current regulations.

3A.6.6 FILLING POINT

A method for initial filling of the system and replacing water lost during servicing etc. is provided (see fig. 7). You should ensure this method of filling complies with the local water authority regulations.

3A.6.7 LOW PRESSURE SEALED SYSTEM

An alternative method of filling the system would be from an independent make-up vessel or tank mounted in a position at least 1 metre above the highest point in the system and at least 5 metres above the boiler (see fig. 8). The cold feed from the make-up vessel or tank must be fitted with an approved non-return valve and stopcock for isolation purposes. The feed pipe should be connected to the return pipe as close to the boiler as possible.

3A.6.8 FREQUENT FILLING

Frequent filling or venting of the system may be indicative of a leak. Care should be taken during the installation of the appliance to ensure all aspects of the system are capable of withstanding pressures up to at least 3 bar.

3A.7 ELECTRICAL SUPPLY

The appliance is supplied for operation on 230V @ 50Hz electrical supply; it must be protected with a 3-amp fuse. The method of connection to the mains electricity supply must allow for complete isolation from the supply. The preferred method is by using a double-pole switch with a contact separation of at least 3,5 mm (3° high-voltage category). The switch must only supply the appliance and its corresponding controls, i.e. time clock, room thermostat, etc.

3A.8 MOUNTING ON A COMBUSTIBLE SURFACE

If the appliance is to be fitted on a wall of combustible material, a sheet of fireproof material must protect the wall.

3A.9 TIMBER FRAMED BUILDINGS

If the appliance is to be fitted in a timber framed building, it should be fitted in accordance with I.S. 813 and local Building Regulations.

The Institute of Gas Engineers publication (IGE/UP/7) 'Guide for Gas Installations in Timber Frame Buildings' gives specific advice on this type of installation.

3A.10 INHIBITORS

Vokera recommend that an inhibitor - suitable for use with aluminium heat exchangers - is used to protect the boiler and system from the effects of corrosion and/or electrolytic action. The inhibitor must be administered in strict accordance with the manufacturers instructions*.

*Water treatment of the complete heating system - including the boiler - should be carried out in accordance with I.S. 813 and the Domestic Water Treatment Association's (DWTA) code of practice.

3A.11 SHOWERS

If the appliance is intended for use with a shower, the shower must be thermostatically controlled and be suitable for use with a combination boiler.

3A.12 DECLARATION OF CONFORMITY

A Declaration of Conformity (as defined in I.S. 813) must be provided on completion of the installation.

A copy of the declaration must be given to the responsible person and also to the gas supplier if required.

SECTION 4 - INSTALLATION

4.1 DELIVERY

Due to the weight of the appliance it may be necessary for two people to lift and attach the appliance to its mounting. The appliance is contained within a heavy-duty cardboard carton. Lay the carton on the floor with the writing the correct way up.

4.2 CONTENTS

Contained within the carton is:

- the boiler
- the wall bracket
- carton template
- an accessories pack containing appliance service connections and washers
- hydraulic lower cover
- the instruction pack containing the installation, servicing & user instructions, guarantee registration card and a 3-amp fuse.

4.3 UNPACKING

At the top of the carton pull both sides open – do not use a knife – unfold the rest of the carton from around the appliance, carefully remove all protective packaging from the appliance and lay the accessories etc. to one side. Protective gloves should be used to lift the appliance, the appliance back-frame should be used for lifting points.

4.4 PREPARATION FOR MOUNTING THE APPLIANCE

The appliance should be mounted on a smooth, vertical, non-combustible surface, which must be capable of supporting the full weight of the appliance. Care should be exercised when determining the position of the appliance with respect to hidden obstructions such as pipes, cables, etc.

When the position of the appliance has been decided – using the template supplied – carefully mark the position of the wall-mounting bracket (see fig. 9) and flue-hole (if applicable).

4.5 FITTING THE FLUE

The top flue outlet permits both horizontal and vertical flue applications to be considered, alternatively, the Vokèra twin flue system can be utilised if longer flue runs are required.

4.5.1 CONCENTRIC HORIZONTAL FLUE

(For concentric vertical flue, see 4.5.2).

(For twin flue applications, see 4.5.3).

The appliance can be used with Vokèra condensing 60/100mm concentric flue system, using the specific adapter supplied as accessory.

NOTE

These instructions relate **only** to the Vokèra condensing 60/100mm concentric flue system.

The appliance flue outlet elbow can be rotated through 360° on its vertical axis. In addition the flue may be extended from the outlet elbow in the horizontal plane. A reduction must also be made to the maximum length (see table below) when additional bends are used.

Reduction for additional bends

Bend	Reduction in maximum flue length for each bend
45° bend	0.5 metre
90° bend	1.0 metre

Horizontal flue terminals and accessories

Part No.	Description	Length
20028027	converter box	N/A
29450120	Horizontal flue kit	900mm
29450121	Telescopic flue kit	350/530mm
487	Plume diverter (45°)	N/A
29450123	90-degree bend	N/A
29450124	45-degree bends (pair)	N/A

29450125	500mm extension	500mm
29450126	1000mm extension	1000mm
29450128	Telescopic extension	350/730mm
529	Wall bracket pack (5)	208mm

Mark and drill a 125mm hole for the passage of the flue pipe. The hole should be drilled to ensure any condense fluid that forms, is allowed to drain back to the appliance (see fig. 12). The fixing holes for the wall-mounting bracket should now be drilled and plugged, an appropriate type and quantity of fixing should be used to ensure that the bracket is mounted securely. Once the bracket has been secured to the wall, mount the appliance onto the bracket.

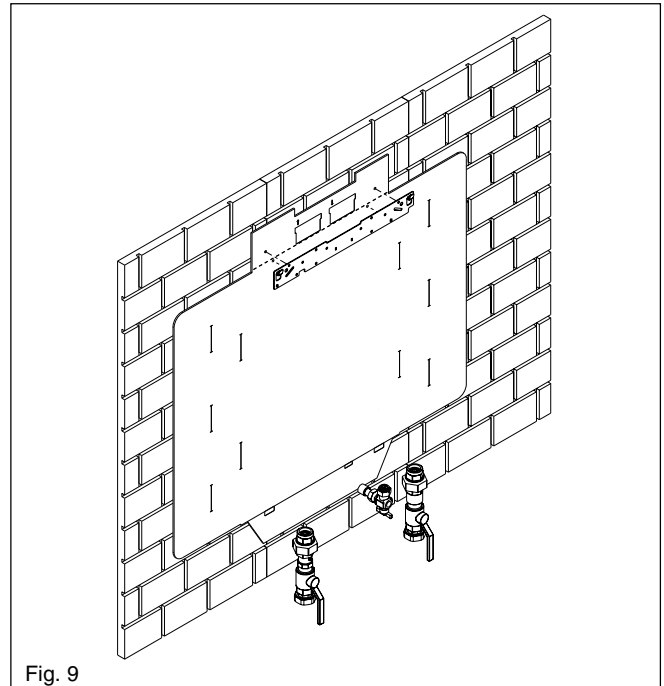


Fig. 9

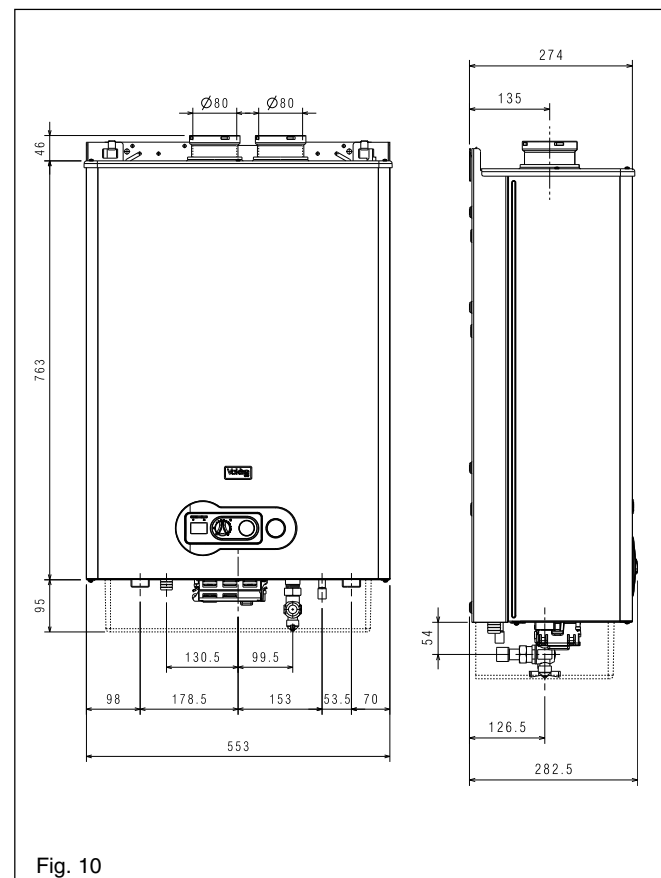


Fig. 10

FITTING THE HORIZONTAL FLUE KIT

Carefully measure the distance from the centre of the appliance flue outlet to the edge of the finished outside wall (dimension X). Add 65mm to dimension X to give you Dimension Y (see fig 12). Measure dimension Y from the terminal end of the concentric flue pipe and cut off the excess ensuring any burrs are removed. Pass the concentric flue pipe through the previously drilled hole. Fit the flue bend to the adaptor flue outlet and insert the concentric flue pipe into the flue bend ensuring the correct seal is made. Using the clamp, gasket, and screws supplied, secure the flue bend to the appliance flue spigot.

NOTE

Fit the internal (white) trim to the flue assembly prior to connecting the flue pipe to the bend.

You must ensure that the entire flue system is properly supported and connected. Seal the flue assembly to the wall using cement or a suitable alternative that will provide satisfactory weather-proofing. The exterior trim can now be fitted.

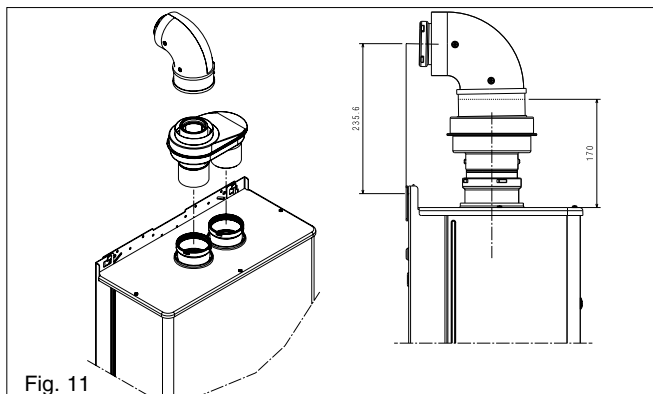


Fig. 11

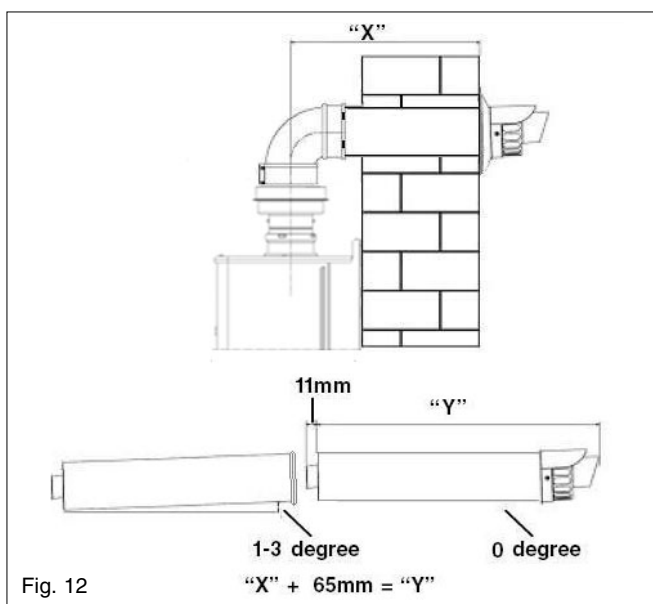


Fig. 12

EXTENDING THE FLUE

Connect the bend – supplied with the terminal kit – to the top of the adaptor using clamp (supplied) see fig. 12. The additional bends & extensions have push-fit connections, care should be taken to ensure that the correct seal is made when assembling the flue system. Connect the required number of flue extensions or bends (up to the maximum equivalent flue length) to the flue terminal. The flue system should have a minimum of 1°; maximum of 3° rise from the boiler to outside, to ensure any condense fluid that forms, is allowed to drain back to the appliance.

NOTE

When cutting an extension to the required length, you must ensure that the excess is cut from the plain end of the extension. Remove any burrs, and check that all seals are located properly. You must ensure that the entire flue system is properly supported and connected. Seal the flue assembly to the wall using cement or a suitable alternative that will provide satisfactory weatherproofing. The interior and exterior trim can now be fitted.

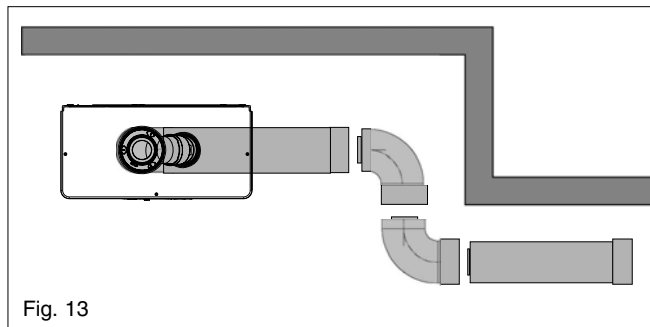


Fig. 13

4.5.2 CONCENTRIC VERTICAL FLUE

The appliance can be used with either the Vokèra condensing 60/100mm concentric flue system using the specific adaptor supplied as accessory.

NOTE

These instructions relate **only** to the Vokèra condensing 60/100mm concentric flue system.

The vertical flue terminal can be connected directly to the adaptor flue outlet. Alternatively, an extension or bend can be connected to the adaptor flue outlet if desired, however if additional bends are fitted, a reduction must be made to the maximum flue length (see table below).

Reduction for bends

Bend	Reduction in maximum flue length for each bend
45° bend	0.5 metre
90° bend	1.0 metre

Vertical flue terminal and accessories

Part No.	Description	Length
20028027	converter box	N/A
29450122	Vertical flue terminal	1000mm
531	Pitched roof flashing plate	N/A
532	Flat roof flashing plate	N/A
29450123	90-degree bend	N/A
29450124	45-degree bends (pair)	N/A
29450125	500mm extension	500mm
29450126	1000mm extension	1000mm
29450127	2000mm extension	2000mm
29450128	Telescopic extension	350/730mm
529	Wall bracket pack (5)	208mm

Using the dimensions given in fig. 11 as a reference, mark and cut a 125mm hole in the ceiling and/or roof.

Fit the appropriate flashing plate to the roof and insert the vertical flue terminal through the flashing plate from the outside, ensuring that the collar on the flue terminal fits over the flashing. The fixing holes for the wall-mounting bracket should now be drilled and plugged, an 'appropriate type and quantity of fixing should be used to ensure that the bracket is mounted securely. Once the bracket has been secured to the wall, mount the appliance onto the bracket.

IMPORTANT

The vertical flue terminal is 1.0 metre in length and cannot be cut; therefore it may be necessary to adjust the height of the appliance to suit or use a suitable extension.

Connect the vertical flue assembly to the adaptor flue spigot using the 100mm clip, gasket & screws (supplied), ensuring the correct seal is made. The flue support bracket (supplied with the vertical flue kit) can now be fitted.

If the vertical flue requires extension/s or additional bend/s, connect the required number of flue extensions or bends (up to the maximum equivalent flue length) between the boiler and vertical flue assembly.

Ensure that any horizontal sections of the flue system have a minimum 1°; maximum 3° fall back to the boiler (1° = 17mm per 1000mm).

NOTE

When cutting an extension to the required length, you must ensure that the excess is cut from the plain end of the extension. Remove any burrs, and check that any seals are located properly.

You must ensure that the entire flue system is properly supported and connected.

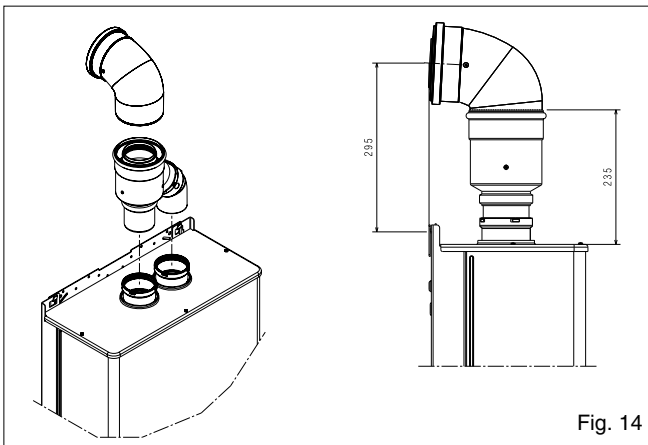


Fig. 14

CONCENTRIC DUCTS 80-125 DIAMETER

The relative adapter kit must be installed for this configuration. Concentric ducts can be arranged in the most suitable direction for installation requirements. To install the ducts follow the instructions provided with the specific condensing boiler kits.

Reduction for bends

Bend	Reduction in maximum flue length for each bend
45° bend	0.5 metre
90° bend	1.0 metre

Horizontal/Vertical 80/125 flue terminal and accessories

Part No.	Description	Length
20028029	converter box	N/A
414	Vertical flue terminal	1000mm
413	Horizontal flue terminal	1000mm
531	Pitched roof flashing plate	N/A
532	Flat roof flashing plate	N/A
415	90-degree bend	N/A
416	45-degree bends (pair)	N/A
417	250mm extension	250mm
418	500mm extension	500mm
419	1000mm extension	1000mm
420	2000mm extension	2000mm
421	3000mm extension	3000mm
423	Wall bracket pack (5)	208mm

4.5.3 TWIN FLUE SYSTEM

The Vokera twin flue system enables greater flue distances to be achieved than that of a concentric flue system. It can be used for horizontal or vertical applications and it can be connected directly on the boiler (fig. 15).

It is essential that the installation of the twin flue system be carried out in strict accordance with these instructions.

GUIDANCE NOTES ON TWIN FLUE INSTALLATION

- The flue must have a minimum 1°; maximum 3° (1° = 17mm per 1000mm) fall back to the appliance to allow any condensate that may form in the flue system to drain via the condensate drain. Consideration must also be given to the fact that there is the possibility of a small amount of condensate dripping from the terminal.
- Ensure that the entire flue system is adequately supported, use at least one bracket for each extension.
- The entire flue system must be adequately insulated to maintain heat within the flue system thereby reducing the possibility of condensate production.
- As the exhaust outlet pipe can reach very high temperatures it must be protected to prevent persons touching the hot surface.

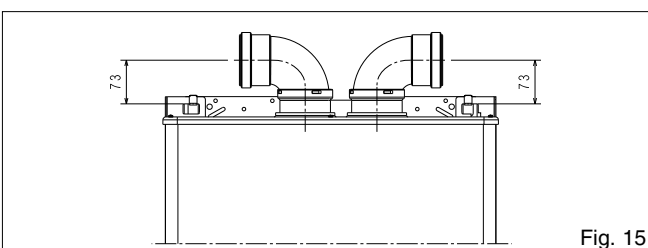


Fig. 15

- The condensate drain pipe must be connected in accordance with building regulations.

Reduction for bends

Bend	Reduction in maximum flue length for each bend
45° bend	1.0 metre
90° bend	1.0 metre

Twin flue accessories

Part No.	Description	Length
0225805	Horizontal flue terminal	1.0 metre
0225810	Vertical flue terminal	1.0 metre
359	Twin adapter kit	N/A
531	Pitched roof flashing plate	N/A
532	Flat roof flashing plate	N/A
0225815	Condensate drain kit	N/A
0225820	0.25m extension (pair)	250mm
0225825	0.5m extension (pair)	500mm
0225830	1.0m extension (pair)	1000mm
0225835	2.0m extension (pair)	2000mm
0225840	45° bend (pair)	N/A
0225845	90° bend (pair)	N/A
0225850	Twin bracket (5)	N/A
0225855	Single bracket (5)	N/A

MOUNTING THE BOILER

The fixing holes for the wall-mounting bracket should now be drilled and plugged, an appropriate type and quantity of fixing should be used to ensure that the bracket is mounted securely. Once the bracket has been secured to the wall, mount the appliance onto the bracket.

The twin flue pipes extensions and accessories can be installed by pushing together (the plain end of each extension or bend should be pushed approximately 50mm into the female socket of the previous piece).

HORIZONTAL TERMINATION (fig. 16)

The twin flue system must be converted to the dedicated concentric flue kit for termination.

- The horizontal terminal is supplied with a built-in converter box and cannot be shortened.
- A 130mm hole is required for the passage of the concentric terminal through the wall.
- The air inlet pipe must always be level with or below, that of the exhaust pipe.

Depending on site conditions it may be preferable to install the terminal assembly prior to fitting the twin flue pipes.

Mark and drill a level 130mm hole for the passage of the horizontal flue terminal. Insert the terminal assembly into the flue hole.

Push-fit the twin flue pipes onto the concentric to twin converter box ensuring that the exhaust pipe connects to the exhaust connection on the concentric to twin converter.

If necessary cut the plain ends (male) of the twin flue pipes to allow connection to the concentric to twin converter.

NOTE

Before cutting twin flue pipes ensure allowances have been made for connection onto the previous piece and onto the concentric to twin converter. The last twin flue pipes must be pushed 50mm onto the male spigots of the concentric to twin converter.

Seal the flue terminal assembly to the wall using cement or a suitable alternative that will provide satisfactory weatherproofing. The interior and exterior trim can now be fitted.

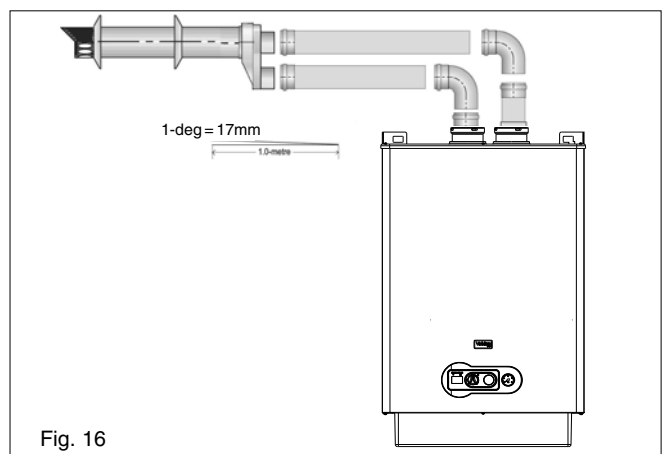


Fig. 16

VERTICAL TERMINATION (fig. 17)

The twin flue system must be converted to the dedicated concentric flue kit for termination.

- The vertical terminal is supplied with a built-in converter box and cannot be shortened.
- A 130mm hole is required for the passage of the concentric terminal through the ceiling and/or roof.

Depending on site conditions it may be preferable to install the terminal assembly prior to fitting the twin flue pipes.

Fit the appropriate flashing plate to the roof and insert the vertical flue terminal through the flashing plate from the outside, ensuring that the collar on the flue terminal fits over the flashing. Push-fit the twin flue pipes onto the concentric to twin converter ensuring that the exhaust pipe connects to the exhaust connection on the concentric to twin converter.

If necessary cut the plain ends (male) of the twin flue pipes to allow connection to the concentric to twin converter.

NOTE

- Before cutting twin flue pipes ensure allowances have been made for connection onto the previous piece and onto the concentric to twin converter. The last twin flue pipes must be pushed 50mm onto the male spigots of the concentric to twin converter.
- You must ensure that the entire flue system is properly supported and connected.
- Ensure that any horizontal sections of pipe have a 1° fall towards the appliance (17mm per 1000mm).

4.6 CONNECTING THE GAS AND WATER

The appliance is supplied with an accessory pack that includes service valves.

The accessory pack contains sealing washers' etc, for use with the service valves.

NOTE

It will be necessary to hold the valve with one spanner whilst tightening with another; besides, where necessary use a seal (*) fittings to ensure the sealing of the system (fig 18)

4.6.1 GAS (fig. 18)

The appliance is supplied with a 22mm service valve and a pipe for welding.

NOTE

It will be necessary to calculate the diameter of the gas supply pipe to ensure the appliance has an adequate supply of gas.

4.6.2 FLOW & RETURN (fig. 18)

The appliance is supplied with a system of service valves to connect a hydraulic separator on flow and return joints.

4.6.3 SAFETY VALVE (fig. 18 - A)

Connect a discharge pipe to the other end of the safety valve connection pipe and tighten. The discharge pipe must have a continuous fall away from the appliance to outside and allow any water to drain away thereby eliminating the possibility of freezing. The discharge pipe must terminate in a position where any water – possibly boiling – discharges safely without causing damage or injury, but is still visible.

4.6.4 CONDENSE PIPE

During normal operation the boiler produces condense which is collected in a trap located in the lower part of the boiler. A flexible pipe (condense outlet pipe) is connected to the outlet of the trap. The flexible pipe must be connected to a plastic waste pipe only. The plastic waste pipe must have a minimum of a 3° fall towards the drain. Any external run of pipe should be insulated to prevent the risk of freezing.

4.6.5 CONNECTING THE CONDENSATE OUTLET

Gently pull the condensate outlet pipe down from its location inside the boiler until approximately 100mm protrudes from the underside of the boiler. Connect a suitable plastic (not copper) pipe (no less than 20mm diameter) to the outlet pipe and ensure it discharges in accordance with building regulations or other rules in force.

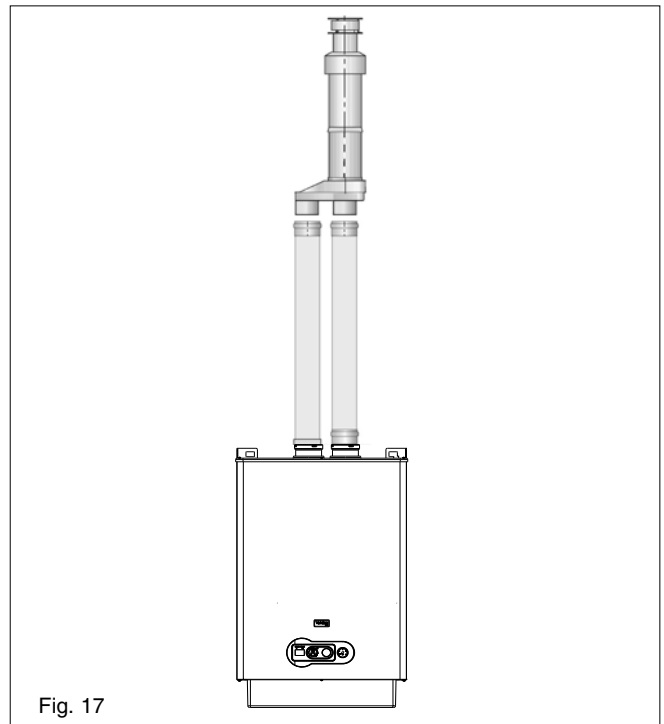


Fig. 17

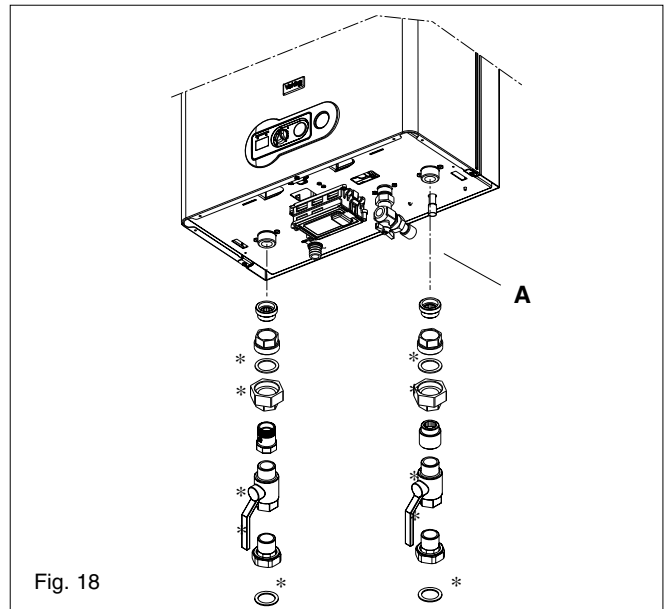
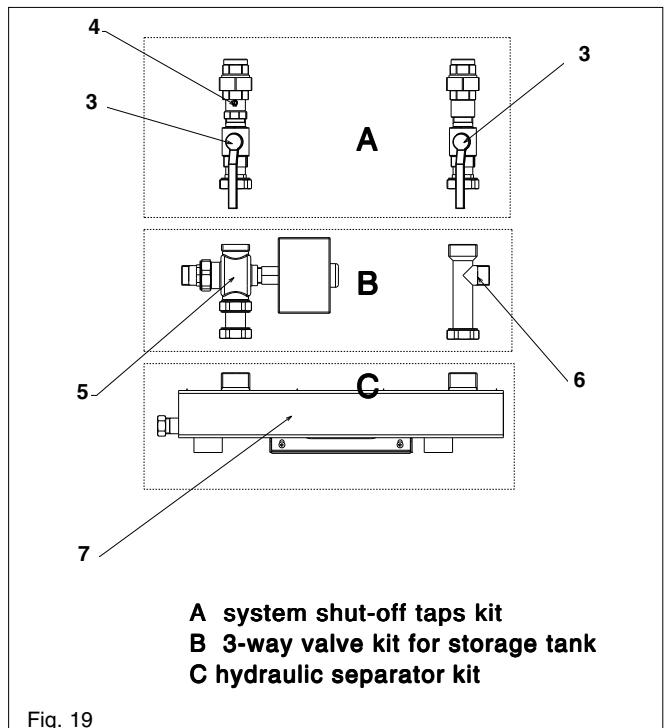


Fig. 18

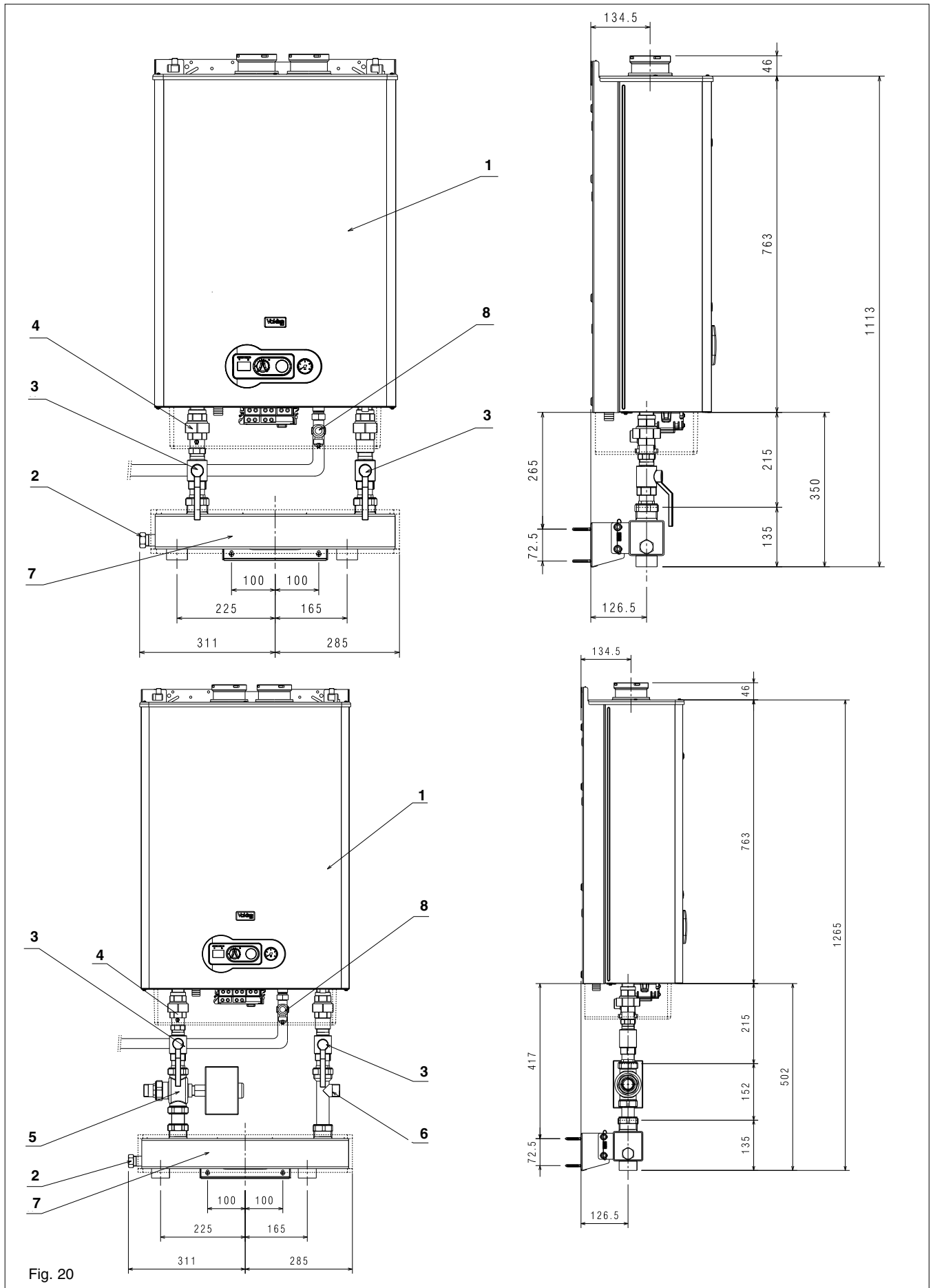


**A system shut-off taps kit
B 3-way valve kit for storage tank
C hydraulic separator kit**

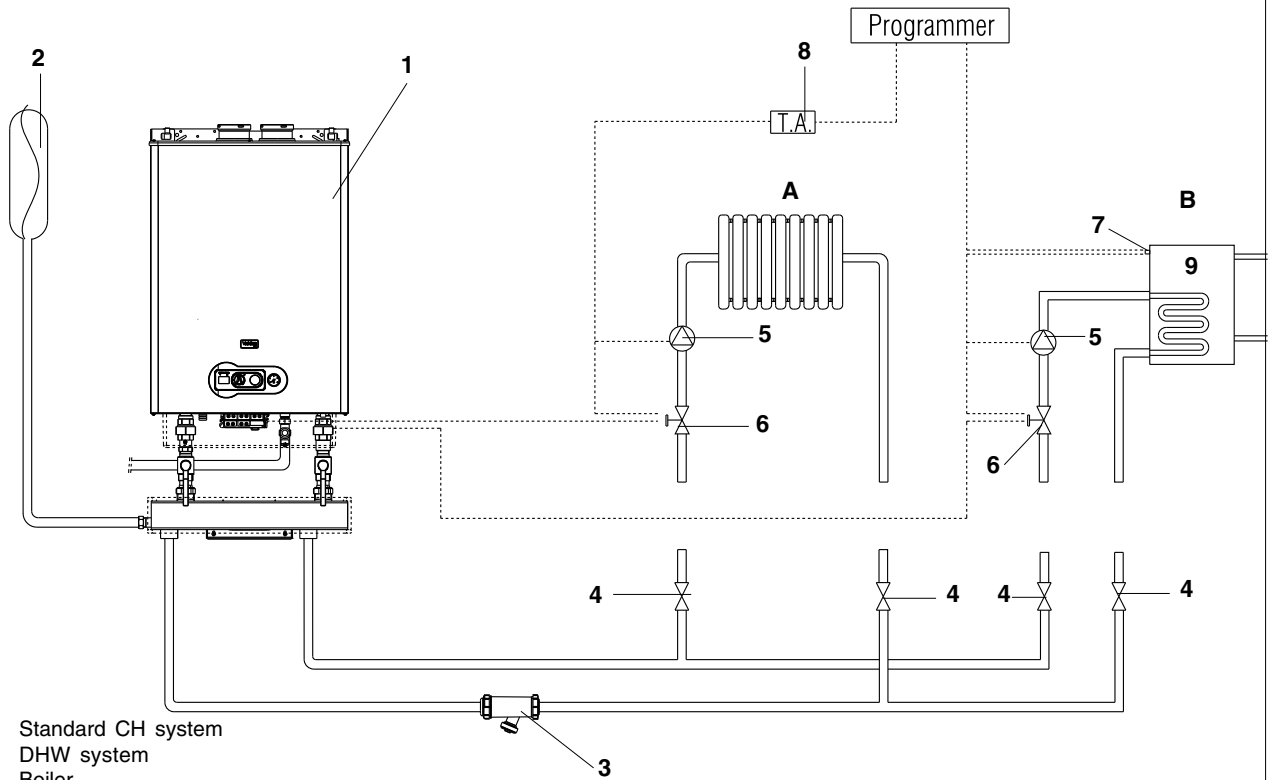
Fig. 19

- 1 Heat generator
- 2 Expansion tank connection
- 3 Heating valve
- 4 Not return valve
- 5 3-way valve
- 6 Storage tank delivery "T" connection point
- 7 Hydraulic separator
- 8 Gas valve

- kit A
- kit A
- kit B
- kit B
- kit C

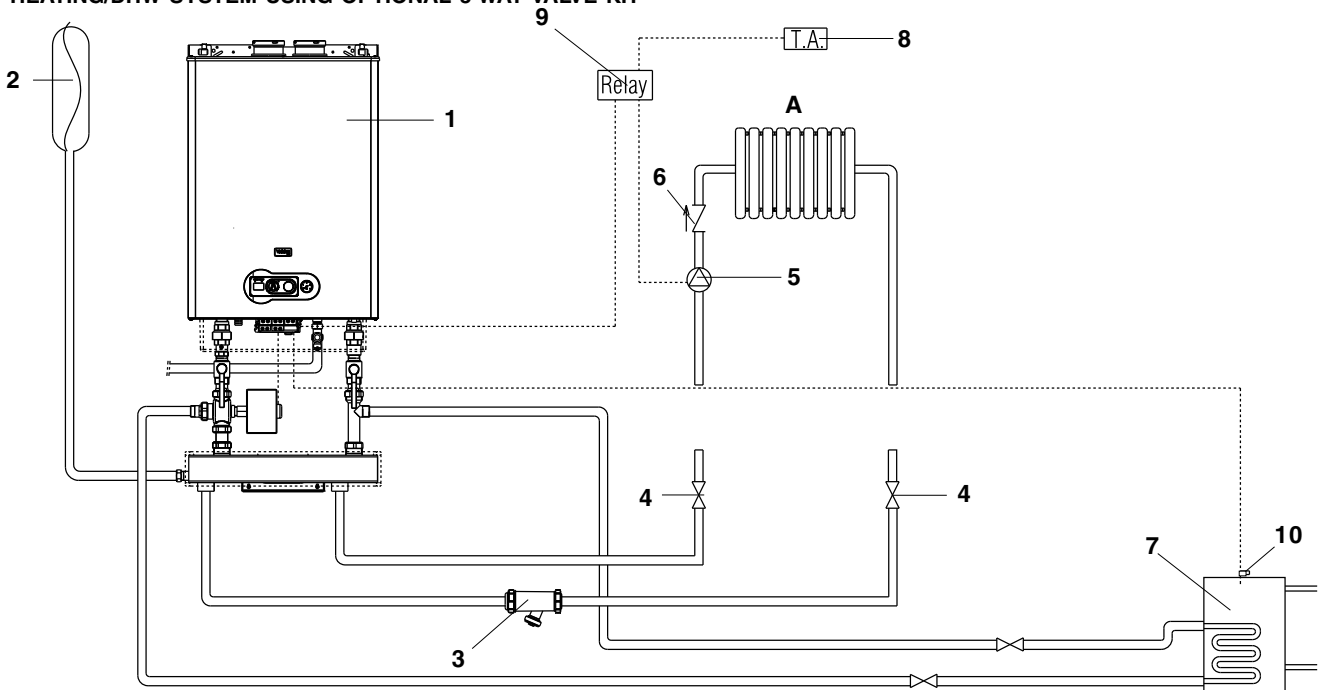


STANDARD HEATING/DHW SYSTEM



- A** Standard CH system
- B** DHW system
- 1** Boiler
- 2** Expansion tank
- 3** System filter
- 4** System valve
- 5** System pump
- 6** Two port valve
- 7** DHW thermostat
- 8** Room thermostat
- 9** DHW tank

HEATING/DHW SYSTEM USING OPTIONAL 3 WAY VALVE KIT



- A** Standard CH system
- 1** Boiler
- 2** Expansion tank
- 3** System filter
- 4** System valve
- 5** Heating system pump
- 6** Not return valve
- 7** DHW tank
- 8** Room thermostat
- 9** Relay
- 10** DHW tank thermostat

Fig. 21

4.7 ELECTRICAL CONNECTIONS

The boiler is supplied with a 2-metre fly-lead. This lead can be used for connection to the electrical supply. Connect the fly-lead to a fused plug or fused isolator in the following way:

- brown wire to LIVE supply
- blue wire to NEUTRAL supply
- green/yellow to EARTH connection.

Insert the supplied 3-AMP fuse into the fused isolator or fused plug.

Should the fly-lead be unsuitable, refer to 4.7.3 for details on how to connect the electrical supply directly to the boiler.

The electrical supply must be as specified in section 3/3A. A qualified electrician should connect the appliance to the electrical supply. If controls - external to the appliance - are required, a competent person must undertake the design of any external electrical circuits, please refer to section 8 for detailed instructions. ANY EXTERNAL CONTROL OR WIRING MUST BE SERVED FROM THE SAME ISOLATOR AS THAT OF THE APPLIANCE. The supply cable from the isolator to the appliance must be 3-core flexible sized 0.75mm to BS 6500 or equivalent. Wiring to the appliance must be rated for operation in contact with surfaces up to 90 °C.

4.7.1 CASING REMOVAL

To gain internal access to the appliance you must first remove the casing, proceed as outlined below:

- locate and unscrew the 3-screws of the upper cover **A** (fig. 22)
- locate and unscrew the 3-screws (**B**) that secure the outer casing to the appliance (fig. 23)
- lift the casing upward to disengage it from the top locating hooks and then remove (fig. 24)
- store the casing and screws safely until required. Re-fit in the reverse order
- gently lower the control fascia until it rests.

4.7.2 APPLIANCE TERMINAL BLOCK

The appliance terminal block is located under the shelf.

Remove the hydraulic cover by loosening the screw **A** (fig. 23)

Loosen the screw that fixes the electric connection box and than remove the box from its seat.

Locate the terminal block cover (fig. 25).

NOTE

The appliance comes with a factory fitted link ('TA') to allow basic operation of the boiler via the mode selector switch. If it is anticipated that external controls will be required please refer to the wiring diagrams in section 8 for more detailed information.

4.7.3 CONNECTING THE MAINS (230V) INPUT

Unhook and remove the terminal block cover (230V). Pass the cable through the cable anchorage point. Connect the supply cable wires (LIVE, NEUTRAL, & EARTH) to their corresponding terminals (L, N, & E) on the appliance – high voltage – terminal block. When connecting the EARTH wire, ensure that it's left slightly longer than the others, this will prevent strain on the EARTH wire should the cable become taut. Do not remove the link wire unless additional external controls are to be fitted (see section 8). The securing screw on the cable anchorage should now be tightened. This must be done before the terminal block cover is re-fitted in its position.

NOTE

It is the installer's responsibility to ensure that the appliance is properly Earthed. Vokèra Ltd. cannot be held responsible for any damages or injuries caused as a result of incorrect Earth wiring.

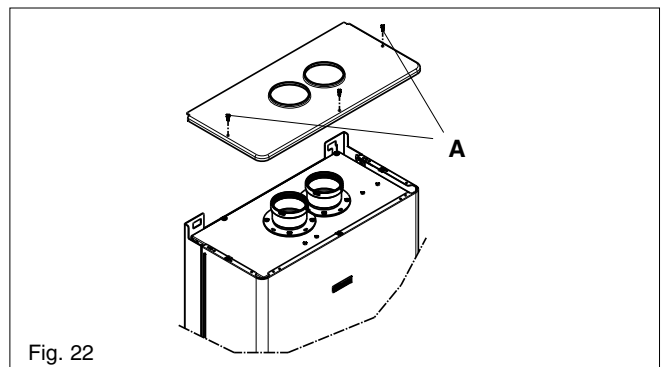


Fig. 22

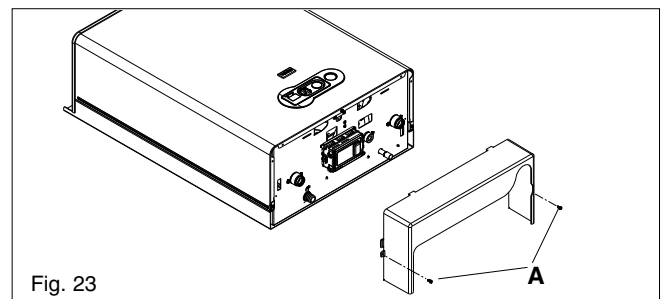


Fig. 23

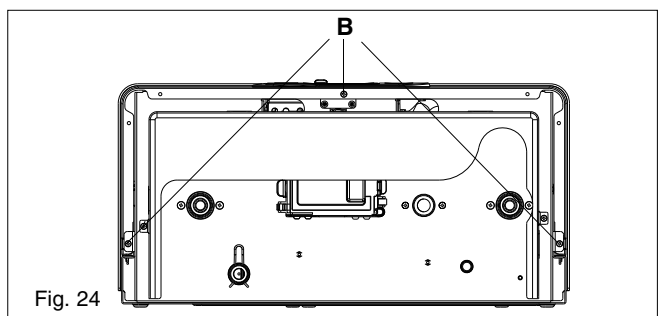


Fig. 24

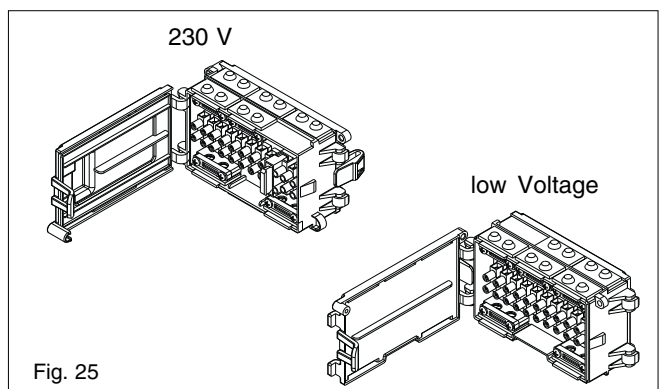


Fig. 25

SECTION 5 - COMMISSIONING

5.1 GAS SUPPLY INSTALLATION

Inspect the entire installation including the gas meter, test for tightness and purge. Refer to BS 6891 (I.S. 813 in ROI) for specific instruction.

5.2 THE HEATING SYSTEM

The appliance contains components that may become damaged or rendered inoperable by oils and/or debris that are residual from the installation of the system, consequently it is essential that the system be flushed in accordance with the following instructions.

5.3 INITIAL FILLING OF THE SYSTEM

Ensure both flow and return service valves are open, remove appliance casing as described in 4.7.1, identify the automatic air release valves (AAV) and loosen the dust cap/s by turning the cap anti-clockwise one full turn. Ensure all manual air release valves located on the heating system are closed. Connect the filling loop, slowly proceed to fill the system by firstly opening the inlet valve connected to the flow pipe, and then turning the lever on the fill valve, to the open position. As water enters the system the pressure gauge will begin to rise. Once the gauge has reached 1.5 BAR close both valves and begin venting all manual air release valves, starting at the lowest first. It may be necessary to go back and top-up the pressure until the entire system has been filled. Inspect the system for water tightness, rectifying any leaks.

5.3.1 MANUAL AIR RELEASE (fig. 26)

When the boiler has been filled for the first time or the system has been drained and refilled, it will be necessary to release any air that may have become trapped within the appliance heat exchanger. Slacken the bleed screw until water is released and then close.

IMPORTANT, THERE ARE NO OTHER MANUAL AIR RELEASE VALVES LOCATED ON THE APPLIANCE.

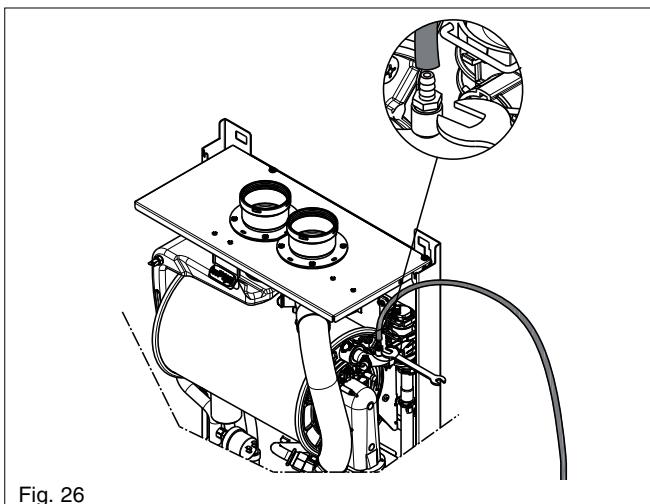


Fig. 26

5.4 INITIAL FLUSHING OF THE SYSTEM

The whole of the heating system must be flushed both cold and hot as detailed in 5.8. Open all radiator or heating valves and the appliance flow & return service valve. Drain the boiler and system from the lowest points. Open the drain valve full bore to remove any installation debris from the boiler prior to lighting. Refill the boiler and heating system as described in 5.3.

5.5 PRE-OPERATION CHECKS

Before attempting the initial lighting of the appliance, the following checks must be carried out:

- ensure all gas service valves from the meter to the appliance are open and the supply pipe has been properly purged;
- ensure the proper electrical checks have been carried out, (see 7.9) particularly continuity, polarity and resistance to earth;
- ensure the 3 AMP fuse – supplied with the appliance – has been fitted;

- ensure the system has been filled, vented and the pressure set to 1.5 BAR;
- ensure the flue system has been fitted properly and in accordance with the instructions;
- ensure all appliance service valves are open.

5.6 INITIAL LIGHTING

Ensure the electrical supply to the appliance is switched on. Ensure any external controls are switched to an 'ON' position and are calling for heat. Move the selector switch to the ON position, the appliance will now operate as described in 1.2. Should the appliance fail to ignite, refer to 5.6 and/or section 7 (mode of operation, parameter setting & faultfinding).

5.7 CHECKING GAS PRESSURE AND COMBUSTION ANALYSIS

The appliance is factory set and requires no additional adjustment once installed. However to satisfy the requirements of GSIUR 26/9 (I.S. 813 ROI), it will be necessary to gas rate the appliance using the gas meter that serves the appliance.

If the installation does not include a gas meter (for example LPG) and there are no means by which to calculate the gas rate, then a combustion analysis test must be carried out in accordance with BS 7967 (UK) to ensure the appliance is left working safely and correctly.

Additionally, if the gas valve has been adjusted, replaced, or the appliance has been converted for use with another gas type, then it becomes necessary to carry out a combustion analysis/check to ensure that correct combustion is occurring. If there are no means to gas rate the appliance and/or carry out a combustion analysis check, then it will not be possible to complete the commissioning procedure.

Details on how to carry out the combustion analysis can be found in section 7.

IMPORTANT

It's imperative that a sufficient dynamic – gas – pressure is maintained at all times. Should the dynamic gas pressure fall below an acceptable level, the appliance may malfunction or sustain damage.

5.8 FINAL FLUSHING OF THE HEATING SYSTEM

The system shall be flushed in accordance with BS 7593 (I.S. 813 ROI). Should a cleanser be used, it must be suitable for Aluminium heat exchangers. It shall be from a reputable manufacturer and shall be administered in strict accordance with the manufacturers' instructions and the DWTA code of practice.

NOTE

Chemicals used to cleanse the system and/or inhibit corrosion must be pH neutral, i.e. they should ensure that the level of the pH in the system water remains neutral. Premature failure of certain components can occur if the level of pH in the system water is out-with normal levels.

5.8.1 INHIBITORS

See Section 3 "General Requirements".

5.9 SETTING THE FLOW OUTLET TEMPERATURE

The flow outlet temperature can be adjusted between 40 °C - 80 °C for standard CH system and between 20 °C - 45 °C for under-floor systems by using the Heating thermostat knob (see fig.1). For further details consult "Boiler configuration" section.

5.10 SETTING THE SYSTEM DESIGN PRESSURE

The design pressure should be a minimum of 0.5 BAR and a maximum of 2.0 BAR. The actual reading should ideally be 1.5 BAR plus the equivalent height in metres (0.1 BAR = 1 metre) to the highest point in the system above the base of the appliance (up to the maximum of 2.0 BAR total).

N.B. The safety valve is set to lift at 3.5 BAR/35 metres/45 psig. To lower the system pressure to the required value, drain off some water from the appliance drain valve until the required figure registers on the pressure gauge (see fig. 1).

5.11 REGULATING THE CENTRAL HEATING SYSTEM

Fully open all radiator and circuit valves and run the appliance for both heating and hot water until heated water is circulating. If conditions are warm remove any thermostatic heads. Adjust radiator return valves and any branch circuit return valves until the individual return temperatures are correct and are approximately equal.

5.12 FINAL CHECKS

- ENSURE ALL TEST NIPPLES ON THE APPLIANCE GAS VALVE ARE TIGHT AND CHECKED FOR TIGHTNESS.
- ENSURE THE APPLIANCE FLUE SYSTEM IS FITTED CORRECTLY AND IS PROPERLY SECURED.
- ENSURE ALL PIPE WORK IS RE-CHECKED FOR TIGHTNESS.
- RE-FIT APPLIANCE CASING.
- COMPLETE BENCHMARK CHECKLIST.

FOR UK ONLY

Complete details of the boiler, controls, installation and commissioning in the Benchmark checklist at the back of this book. It is important that the Benchmark checklist is correctly completed and handed to the user. Failure to install and commission the appliance to the manufacturers instructions may invalidate the warranty.

5.13 INSTRUCTING THE USER

Hand over all documentation supplied with this appliance – including these instructions – and explain the importance of keeping them in a safe place.

Explain to the user how to isolate the appliance from the gas, water and electricity supplies and the locations of all drain points. Show the user how to operate the appliance and any associated controls correctly.

Show the user the location of the filling valve and how to top-up the system pressure correctly and show the location of all manual air release points.

Explain to the user how to turn off the appliance for both long and short periods and advise on the necessary precautions to prevent frost damage.

Explain to the user that for continued safe and efficient operation, the appliance must be serviced annually by a competent person.

IMPORTANT

To validate the appliance warranty, it's necessary to register the appliance details with us. The warranty can be registered in several ways:

- by completing the warranty registration card and posting to us using the envelope supplied
- online at: vokera.co.uk
- for UK residents by calling: 0870 607 0281
- for ROI residents by calling: 056 6655057.

SECTION 6 - SERVICING INSTRUCTIONS

6.1 GENERAL

To ensure the continued safe and efficient operation of the appliance, it is recommended that it is checked and serviced at regular intervals. To ensure correct and safe operation of the appliance, it is essential that any worn or failed component be replaced only with a **genuine Vokèra spare part**. It should be remembered that although certain generic components may look similar, they will be specific to an individual appliance or product range. Use of non-genuine Vokèra spare parts could invalidate your warranty and may pose a potential safety hazard. The frequency of servicing will depend upon the particular installation conditions, but in general, once per year should be sufficient. It is the law that any servicing work is carried out by competent person such as a Vokèra engineer, an approved service agent, British Gas, GAS SAFE registered personnel or other suitably qualified personnel. The following instructions apply to the appliance and its controls, but it should be remembered that the central heating and the domestic hot water systems would also require attention from time to time.

6.2 ROUTINE ANNUAL SERVICING

- Check the operation of the appliance and ensure it functions as described in section 7.
- Compare the performance of the appliance with its design specification. The cause of any noticeable deterioration should be identified and rectified without delay.
- Thoroughly inspect the appliance for signs of damage or deterioration especially the flue system and the electrical apparatus.
- Check and adjust – if necessary – all burner pressure settings (see 7.4).
- Check and adjust – if necessary – the system design pressure (see 5.10).
- Carry out an analysis of the flue gases (see 7.5), and visually check the condition of the entire flue assembly.
- Compare the results with the appliance design specification. Any deterioration in performance must be identified and rectified without delay.
- Check that the burner and main heat exchanger are clean and free from any debris or obstruction.
- Check and clean – if necessary – the condensate trap to ensure correct operation.

6.3 REPLACEMENT OF COMPONENTS

Although it is anticipated that this appliance will give years of reliable, trouble free service, the life span of components will be determined by factors such as operating conditions and usage. Should the appliance develop a fault, the fault finding section will assist in determining which component is malfunctioning.

6.4 COMPONENT REMOVAL PROCEDURE

To remove a component, access to the interior of the appliance is essential. Isolate the appliance from the electrical supply and remove the fuse. And when necessary, close all service valves on the appliance, remove the appliance casing as described in section 4.7.1 and drain the water content from the appliance via the drain valve. Ensure some water absorbent cloths are available to catch any residual water that may drip from the appliance or removed component. Undertake a complete commissioning check as detailed in section 5, after replacing any component. **ALWAYS TEST FOR GAS TIGHTNESS IF ANY GAS CARRYING COMPONENTS HAVE BEEN REMOVED OR DISTURBED.**

6.5 PUMP ASSEMBLY (fig. 27)

Carry out component removal procedure as described in 6.4. Slacken and unscrew pump inlet and outlet connectors. Please note the sealing washers must be discarded and replaced with new sealing washers. The pump assembly can now be removed from the appliance. Replace carefully in the reverse order.

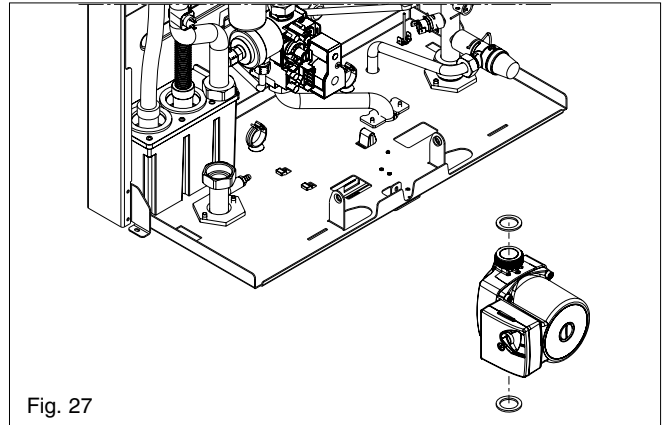


Fig. 27

6.6 SAFETY VALVE (fig. 28)

Carry out component removal procedure as described in 6.4. Disconnect the outlet pipe (A) from the safety valve, remove safety valve locking pin (B) from the hydraulic manifold. Replace in the reverse order.

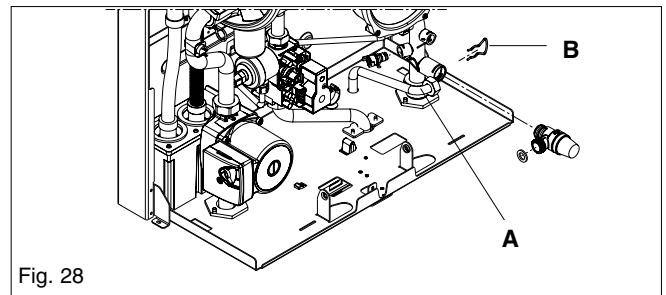


Fig. 28

6.7 TOP AUTOMATIC AIR RELEASE VALVE (fig. 29)

Carry out component removal procedure as described in 6.4. Remove the AAV locking pin (C) from the deaerator assembly and remove the AAV assembly (D). Replace in the reverse order.

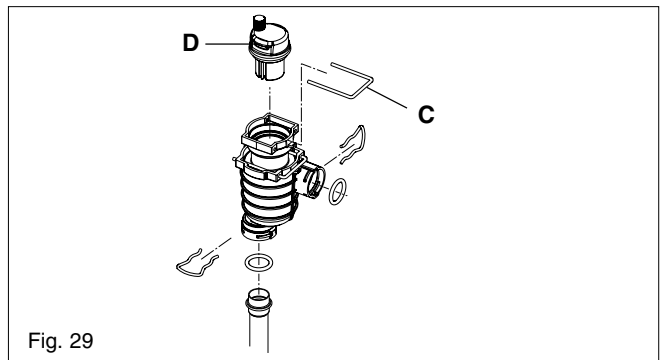


Fig. 29

6.8 WATER PRESSURE SWITCH (fig. 30)

Carry out component removal procedure as described in 6.4. Locate and remove the locking pin (E) from the water pressure switch (F). Remove the wiring. Carefully withdraw the switch. Replace in the reverse order.

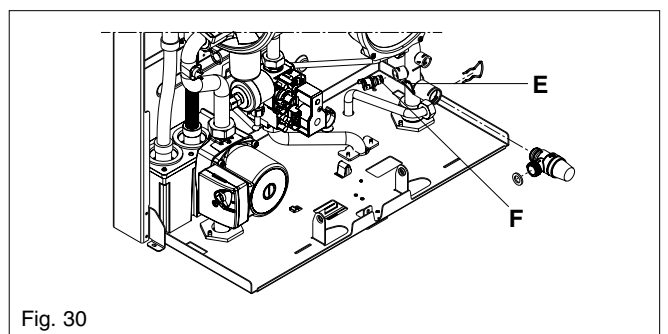


Fig. 30

6.9 FLOW THERMISTOR (fig. 3 - pos. 18)

Carry out component removal procedure as described in 6.4. Unclip the flow thermistor from the flow outlet pipe. Disconnect thermistor electrical plug. Replace in the reverse order.

6.10 RETURN THERMISTOR (fig. 3 - pos. 8)

Carry out component removal procedure as described in 6.4. Unclip the return thermistor from the return inlet pipe. Disconnect thermistor electrical plug. Replace in the reverse order.

6.11 PRINTED CIRCUIT BOARD (fig. 31)

Carry out component removal procedure as described in 6.4. Pull the control fascia forward and lower it. Push the clips (G) which secure the PCB cover, remove cover, after carefully taking note of all wiring connections and jumper tag configuration. Unhook and remove connection block (H). Disconnect all wiring from the PCB, locate and remove the PCB securing screws, remove the required PCB. Replace in the reverse order ensuring that the position of the 2 control knobs are correctly aligned with the respective potentiometers on the PCB.

Ensure that the correct jumper tag configuration has been respected. It will be necessary to check the functioning of the PCB is set for the correct boiler type/application.

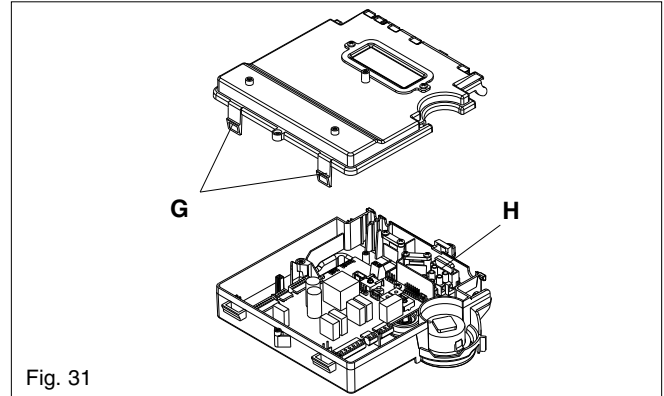


Fig. 31

6.12 GAS VALVE (fig. 32)

Carry out component removal procedure as described in 6.4. The gas valve must be changed as complete unit. Disconnect the electrical plug and leads from the gas valve, slacken and unscrew gas valve inlet and outlet connections. **Please note**, the sealing washers (i) must be discarded and replaced with new sealing washers. Disconnect the compensation pipe (L). Unscrew gas pipe connections (M-N), the gas valve can now be removed. Replace in the reverse order. Check and adjust burner pressure settings.

WARNING, A GAS TIGHTNESS CHECK MUST BE CARRIED OUT.

6.12.1 INJECTOR (fig. 32)

Carry out component removal procedure as described in 6.4. Unscrew and remove gas pipe connections (M-N). Locate and remove the injector (O) inside the upper connection pipe. Replace in the reverse order. Check and adjust burner pressure settings.

WARNING, A GAS TIGHTNESS CHECK MUST BE CARRIED OUT.

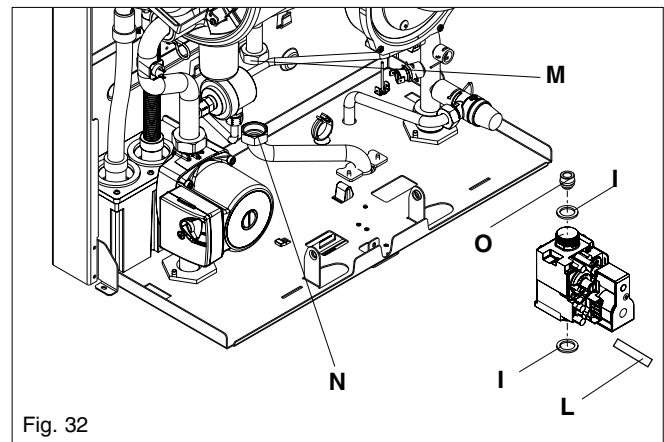


Fig. 32

6.13 ELECTRODES (fig. 33)

Carry out component removal procedure as described in 6.4. Disconnect the electrode leads and ancillary wiring from their respective connectors. Remove the retaining screws (P) for electrode. Remove the spark ignition (Q) and sensing (R) electrodes (W). Remove the retaining nut (S) for condense sensor (T) and remove.

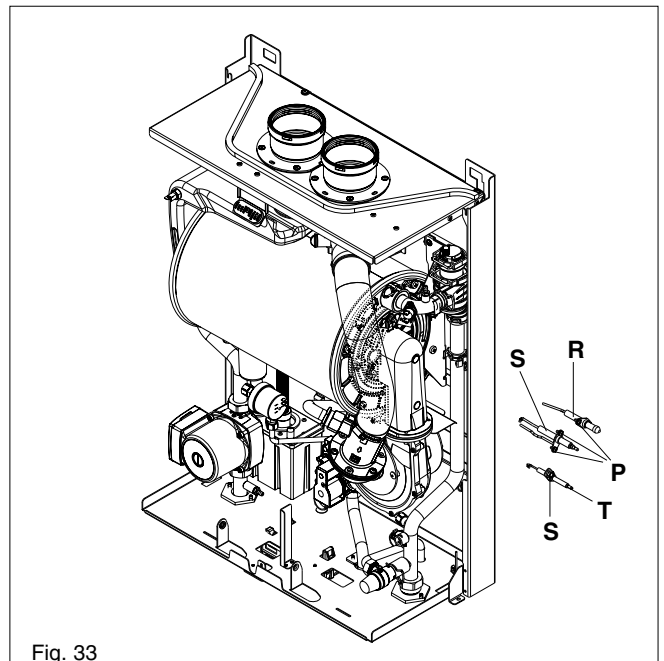
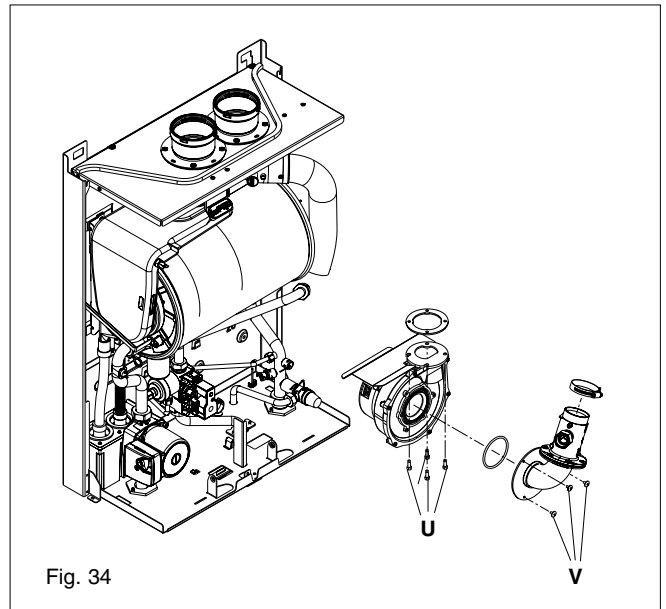


Fig. 33

6.14 FLUE FAN (fig.34)

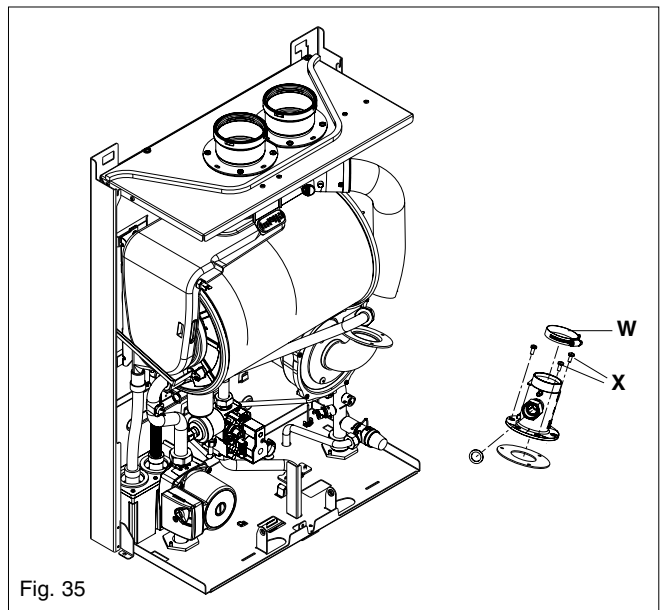
Carry out component removal procedure as described in 6.4. Disconnect the ancillary wiring from their respective connectors. Remove the retaining screws (U) to disconnect mixer, Remove the retaining screws (V) and remove fan. Replace in the reverse order.



6.15 MIXER (fig. 35)

Carry out component removal procedure as described in 6.4. Disconnect jubilee clip (W) and remove flexible air duct, Disconnect gas pipe from mixer, remove the retaining screws (X) and remove mixer. Replace in the reverse order.

WARNING, A GAS TIGHTNESS CHECK MUST BE CARRIED OUT.

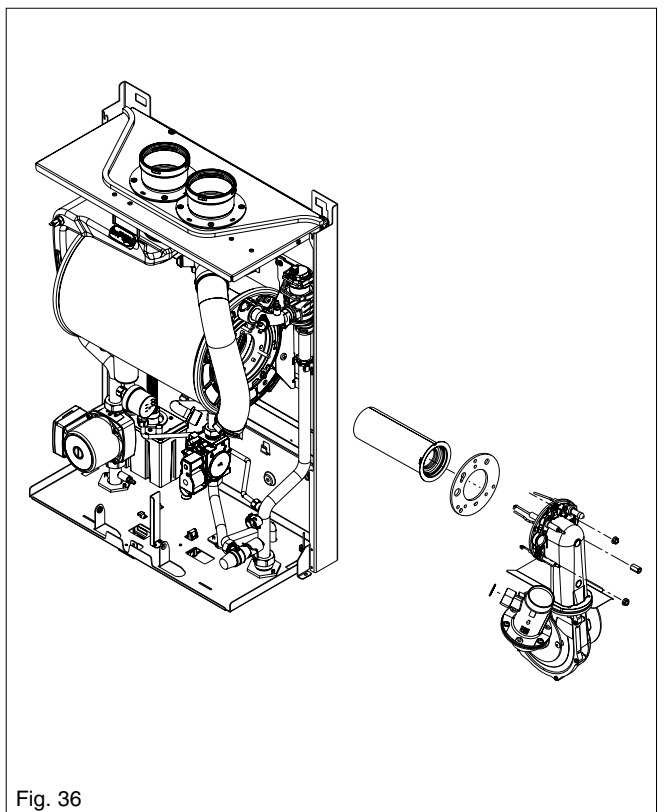


6.16 BURNER (fig. 36)

Carry out component removal procedure as described in 6.4. Disconnect jubilee clip and disconnect flexible air duct. Disconnect gas pipe from mixer, disconnect the electrode as described in 6.13.

Remove the retaining nuts and gently ease the fan assembly out of its location. Once the assembly has been removed, the burner can be withdrawn from the heat engine. Ensure the seal is in good condition, taking care to ensure it is replaced correctly.

Replace in the reverse order.



6.17 MAIN HEAT EXCHANGER (fig. 37)

Carry out component removal procedure as described in 6.4. Disconnect all the wiring connections.

Disconnect the gas pipe at the air mixer connection.

Disconnect the flow, return and condense connections on the heat exchanger.

Locate and remove the 4-screws that secure the heat exchanger to the combustion chamber (D). Move the heat exchanger to the right and disconnect it from the flue collector. The heat exchanger and fan assembly can now be lifted up and withdrawn from the appliance.

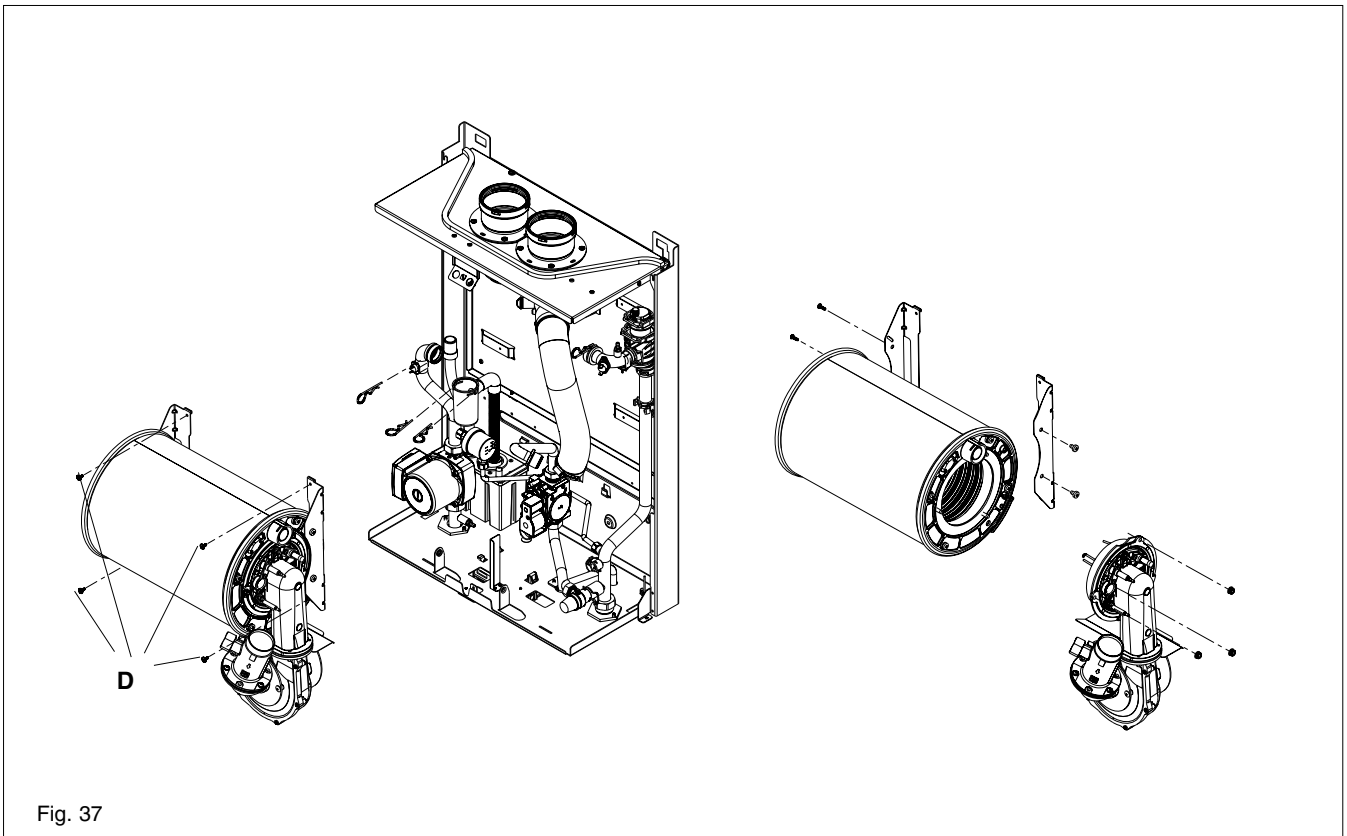


Fig. 37

6.18 CONDENSE TRAP AND COLLECTOR REMOVAL (fig. 38)

Carry out component removal procedure as described in 6.4. Disconnect the 2 upper rubber condense pipes. Remove the pin (B) that secures the trap to the chassis. Disconnect the lower rubber condense pipe from the condense trap. Remove the pins (D) that secures the collector to the exchanger. Carefully remove the condense trap and collector. Replace in the reverse order.

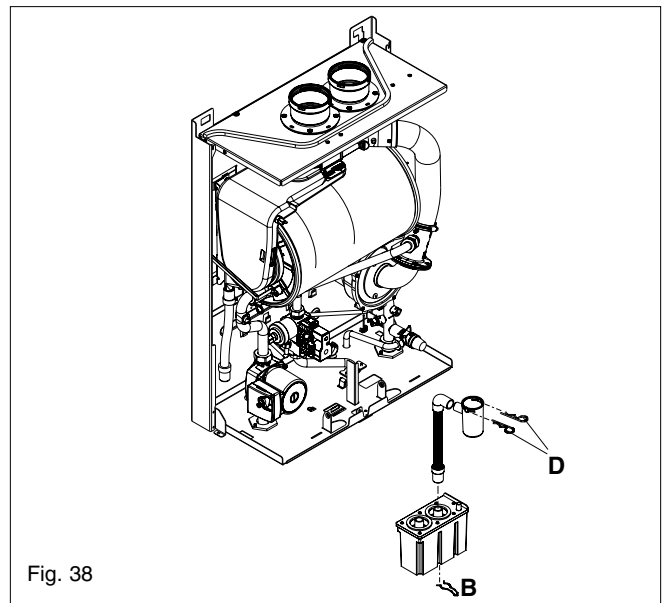


Fig. 38

6.20 FLUE COLLECTOR REMOVAL (fig. 39)

Carry out component removal procedure as described in 6.4. Disconnect the rubber condense pipe, disconnect the thermistor wiring connection, disconnect the analysis test point (Z1), unscrew the retaining bar from the exchanger, pull the upper retaining bar to the left, pull the flue collector down and to the right to remove. Ensure the seal is in good condition, taking care to ensure it is replaced correctly. Replace in the reverse order.

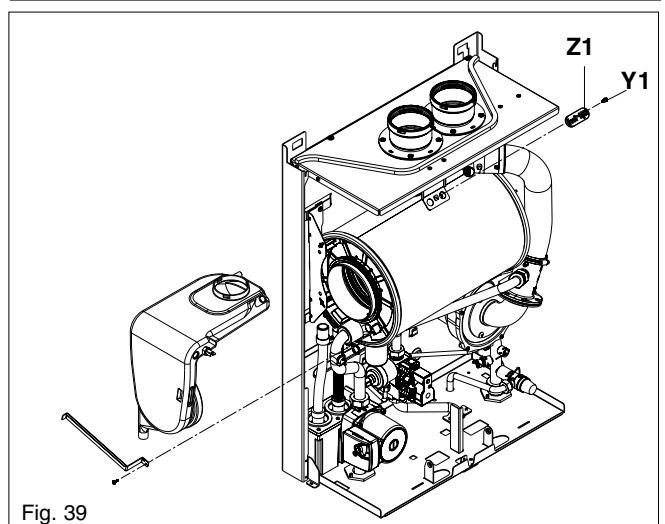


Fig. 39

SECTION 7 - CHECKS, ADJUSTMENTS AND FAULT FINDING

7.1 CHECKING APPLIANCE OPERATION

When carrying out any repairs or servicing to the appliance, the relevant commissioning procedure must be undertaken to ensure the continued safe operation of the appliance. Particular attention should be made to ensure gas tightness, water tightness and the electrical integrity of the appliance.

7.2 APPLIANCE MODES OF OPERATION

NOTE

There must be sufficient system water pressure (min. 0.5 bar) to ensure the water pressure switch is activated. If there is insufficient system pressure the pump and fan will be prevented from operating and the low-pressure fault code will be indicated.

7.2.1 SELECTOR SWITCH IN THE OFF/RESET POSITION

When the selector switch is in the OFF/RESET position, the following functions are active.

Active functions:

- frost-protection system
- pump anti-block.

7.2.2 ON-BOARD FUNCTIONS

- **CO FUNCTION:** the CO function when activated, will allow the appliance to run at CH maximum, whilst a combustion analysis check or a mechanical gas valve calibration is being carried out. Whilst the CO function is active, all other functions are disabled (minimum power operating period, anti-cycle, set-point, etc). Once enabled, the CO function will remain active for a 15-minute period, or until the function is manually deactivated.
- **FROST-PROTECTION:** this function is only active when there are no requests for heating or HW. If the temperature drops below 5°C, the boiler will operate on minimum power until the temperature of the thermistors reaches 35°C. Thereafter the pump & fan will over-run for 30-seconds.
- **ANTI-CYCLE FUNCTION:** the anti-cycle function ensures the burner remains switched off for at least 3-minutes after the set-point hysteresis (set-point + 5-deg) for CH heat request.
- **PUMP ANTI-BLOCK FUNCTION:** when there has been no heating or HW request for 24-hours, the anti-block cycle is activated. The pump will be activated for a period of 30-seconds.
- **PUMP CYCLE MODE:** when power is restored to the PCB and/ or the PCB is powered for the first time, the appliance will enter a 2-minute purge cycle whereby only the pump will run for 15-seconds then off for 15-seconds and will not "fire" until this period has elapsed.
- **ACTUATOR ANTI-BLOCK FUNCTION:** when there has been no heating or HW request for 24- hours, the anti-block cycle is activated. The divertor valve actuator will motor briefly to the heating position, and then back to the DHW position.
- **SARA function:** the SARA function permits the boiler (when the set-point is within the SARA range) to automatically adjust (raise) the heating flow outlet temperature should the room thermostat contacts remain closed for more than 20-minutes.

7.2.3 HEATING MODE

With the selector switch in the heating & hot water position and any additional controls (time clock, programmer, room thermostat, etc.) calling for heat, the appliance will operate in the heating mode. The pump and fan will be activated via the flow temperature sensor. When the fan is sensed to be operating correctly (tacho signal), the ignition sequence commences. Ignition is sensed by the electronic circuit to ensure flame stability at the burner. Once successful ignition has been achieved, the electronic circuitry increases the gas rate to 75% for a period of 15 minutes.

The speed of the fan and therefore the output of the boiler is determined by the temperature of the water sensed by the flow temperature sensor, consequently a high temperature at

the flow sensor results in a lower fan speed. As the water temperature increases, the temperature sensors – located on the flow pipe of the boiler – reduce the fan speed via the electronic circuitry. Depending on the load, either the water temperature will continue to rise until the set point is achieved or the water temperature will fall whereby fan speed will increase relative to the output required. When the boiler has reached the set point (+ hysteresis), the burner will switch off. The built-in anti-cycle device prevents the burner from re-lighting for approximately 3-minutes. When the temperature of the flow sensor falls below the set point (- hysteresis), the burner will re-light.

7.2.3 HOT WATER (optional 3-way valve kit installed)

With the selector switch in the heating & hot water or hot water position and tank thermostat calling for heat, the appliance will operate in hot water mode. The external 3 way valve switches on tank circuit, the pump and fan will be activated via the flow temperature sensor. When the fan is sensed to be operating correctly (tacho signal), the ignition sequence commences. Ignition is sensed by the electronic circuit to ensure flame stability at the burner. Once successful ignition has been achieved.

The speed of the fan and therefore the output of the boiler is determined by the temperature of the water sensed by the flow temperature sensor of the boiler, consequently a high temperature at the flow sensor results in a lower fan speed. As the water temperature increases, the temperature sensors – located on the flow pipe of the boiler – reduce the fan speed via the electronic circuitry. Depending on the load, either the water temperature will continue to rise until the set point (80 °C) is achieved or the water temperature will fall whereby fan speed will increase relative to the output required. When the boiler has reached the set point (+ hysteresis), the burner will switch off. When the temperature of the flow sensor falls below the set point (- hysteresis), the burner will re-light. When the hot water reaches the desired temperature (tank thermostat opened) the burner will shut down, the pump is off and 3-way valve switches on heating circuit.

NOTE

If the spark/sensing electrode does not sense ignition the appliance will re-attempt ignition a further 4-times then go to lockout. When the set-point has been reached (the position of the heating temperature selector) as measured at the primary thermistor, the appliance will begin the modulation phase whereby the fan and gas valve will continuously modulate to maintain the set-point.

ATTENTION

Gas type and appliance output **must be set** according to the specific appliance specification. Vokèra accepts no responsibility if the gas type is not correctly adjusted according to the respective appliance specification as detailed on the appliance data badge.

7.3 SETTING THE THERMOREGULATION

(Contact Vokera technical for advice if Vokera DHW 3 way valve kit is not being used)

Heat regulation only works with the external sensor connected, and so once installed, connect the external sensor to the relevant connections provided on the terminal board in the boiler.

This enables the HEAT REGULATION function.

Choosing the compensation curve

The heating compensation curve provides for maintaining a theoretical ambient temperature of 20°C for outside temperatures of between +20°C and -20°C. The choice of the curve depends on the minimum outside design temperature (and therefore the geographical location) and the design delivery temperature (and therefore the type of plant) and is to be calculated carefully by the installer, using the following formula:

$$KT = \frac{T. \text{ design delivery} - T\text{shift}}{20 - T. \text{ min external design}}$$

Tshift = 30°C standard plants
25°C floor-standing plants

If the calculation gives an intermediate value between two curves, we recommend choosing the compensation curve closest to the value obtained.

Example: If the calculation produces a value of 1.3, this lies between the 1 and 1.5 curves. In this case choose the closest curve, that is 1.5.

The KT selection must be done using trimmer **P3** on the board (see multi-line wiring diagram). To access **P3**:

- Remove the casing
- Turn the control panel towards you
- Unhook the board cover

Live electrical parts (230 Vac).

The KT values that can be set are as follows: standard plant: 1,0-1,5-2,0-2,5-3,0 floor-standing plant 0,2-0,4-0,6-0,8 and these will be shown on the display for about 3 seconds after trimmer P3 is turned.

TYPE OF HEAT REQUEST

If the boiler has an ambient thermostat connected to it (JUMPER 6 not inserted)

The heat request is made by the ambient thermostat's contact closing, and when the contact opens it switches it off. The delivery temperature is calculated automatically, however, the user can interact with the boiler. When the interface is used to change HEATING the value of the HEATING SET POINT will not be available, but a value that can be set as you wish between +5 and -5°C. Changing this value does not change the delivery temperature directly, but acts in the calculation that determines the value automatically, changing the reference temperature in the system (0 = 20°C).

If the boiler has a timer programmer connected to it (JUMPER JP6 inserted)

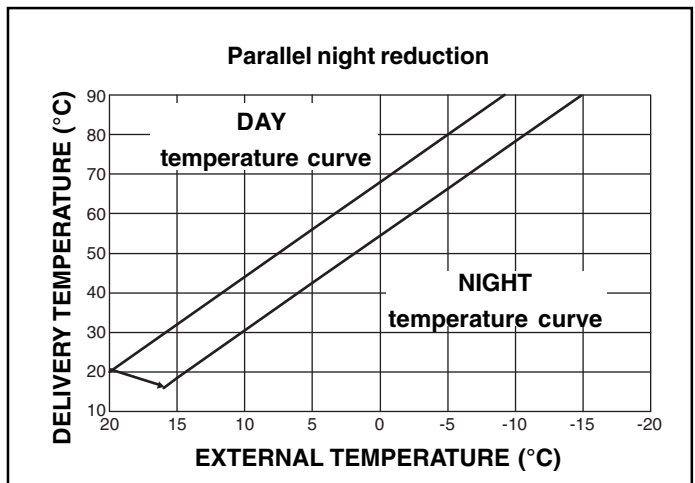
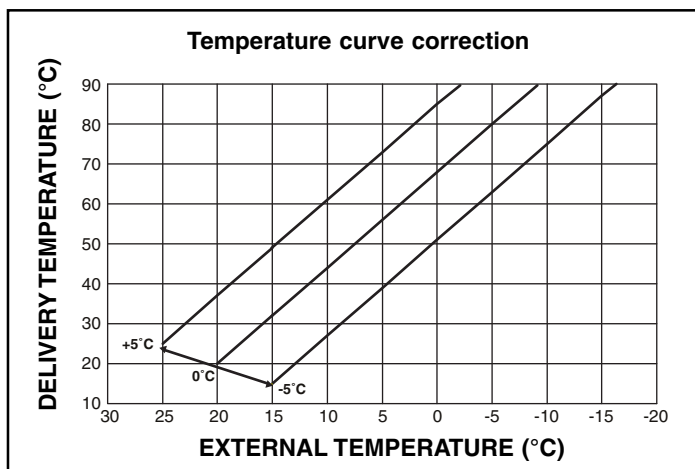
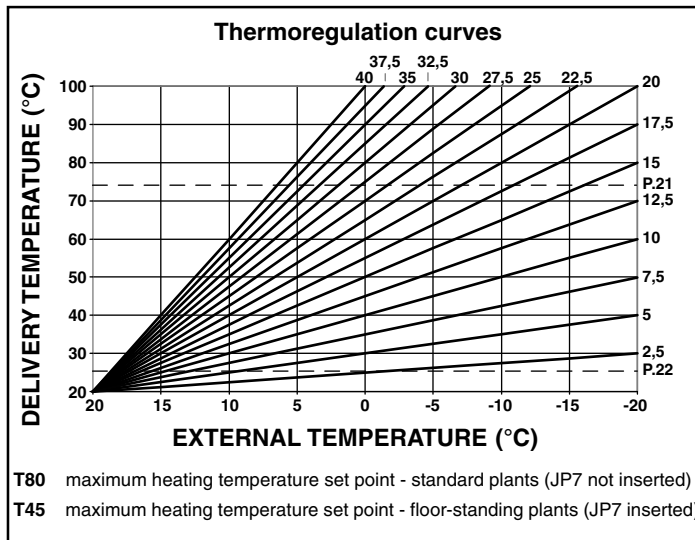
When the contact is closed, the heat request is made by the delivery sensor, based on the outside temperature, to have a nominal ambient temperature at the DAY level (20°C). Opening of the contact does not switch the boiler off but reduces the climatic curve (by parallel translation) to the NIGHT level (16 °C

This is how the night-time function is activated.

The delivery temperature is calculated automatically by the boiler, however, the user can interact with the boiler.

When interacting with the interface to change HEATING you will not have the HEATING SET POINT value available, but a value that can be set as you wish between +5 and -5°C.

Changing this value does not directly change the delivery temperature but affects the calculation that determines this value automatically, by changing the reference temperature system (0 = 20°C, for the DAY level; 16 °C for the NIGHT level).



7.4 CHECKING/ADJUSTING THE APPLIANCE FAN SPEEDS

The boiler has already been set during fabrication by the manufacturer. However, if it is necessary to set it again, after extraordinary maintenance work for example, after replacing the gas valve, or after switching from natural gas to LPG, follow the procedures described below. The maximum and minimum power, the maximum heating and slow ignition setting must strictly be done in the sequence indicated and only by qualified personnel:

- Disconnect the power supply to the boiler.
- Turn the heating water temperature selector to the maximum value, that is the selector turned to the **10**
- Then lift and rotate the control panel towards you
- Remove the board cover by releasing the fixing hooks.
- Insert jumpers JP1 and JP3 (fig. 41)
- Put the power to the boiler on.

The three LEDs on the control panel flash simultaneously and the display reads “ADJ” for about 4 sec.

Proceed to modify the following parameters:





- 1 Absolute maximum
- 2 Minimum
- 3 Maximum heating
- 4 Slow ignition

as described below:

- Turn the heating water temperature selector to set the value required.
- Press the CO button (SW1) and move on to setting the next parameter.


Live electrical parts (230 Vac).

The following icons switch on on the display:

1.  During absolute maximum setting (MAX)
2.  During minimum setting (MIN)
3.  During maximum heating setting (HTG)
4.  During slow ignition setting (IGN)

End the procedure by removing jumpers JP1 and JP3 to save the values set in this way.

The procedure can be ended at any time without saving the values set and keeping the initial settings:

- Turning the function selector to “ OFF/RESET
- Switching off the mains power supply
- After a delay of 15 min after switching it on.

Setting does not switch on the boiler.

When the heating selector knob is turned the display automatically shows the number of RPM expressed in hundreds (e.g. 25 = 2500 rpm).

Fan speed (rpm) table

MAX	MIN	HTG	IGN
5800	1400	5800	3000

7.5 CHECKING THE CO₂ AND ADJUSTING THE GAS VALVE

THE GAS VALVE MUST BE SET-UP OR ADJUSTED WITH THE AID OF A PROPERLY CALIBRATED FLUE GAS ANALYSER.

Isolate the appliance from the electrical supply and remove the appliance casing as described in 4.7.1. Set the flue gas analyser to read CO₂ and insert the probe into the flue analysis test point (Y1-Z1 fig. 39). Restore the electrical supply to the boiler and switch the boiler to the OFF mode.

Have access to the printed circuit board, locate and open the closing plug on the dash board (L2 - fig. 40), locate and press the CO button (see fig. 40 pos. SW1). The display shows “ACO” and the yellow led blinks.

Press the button the number of timing according the function requirement as par 7.5.1.

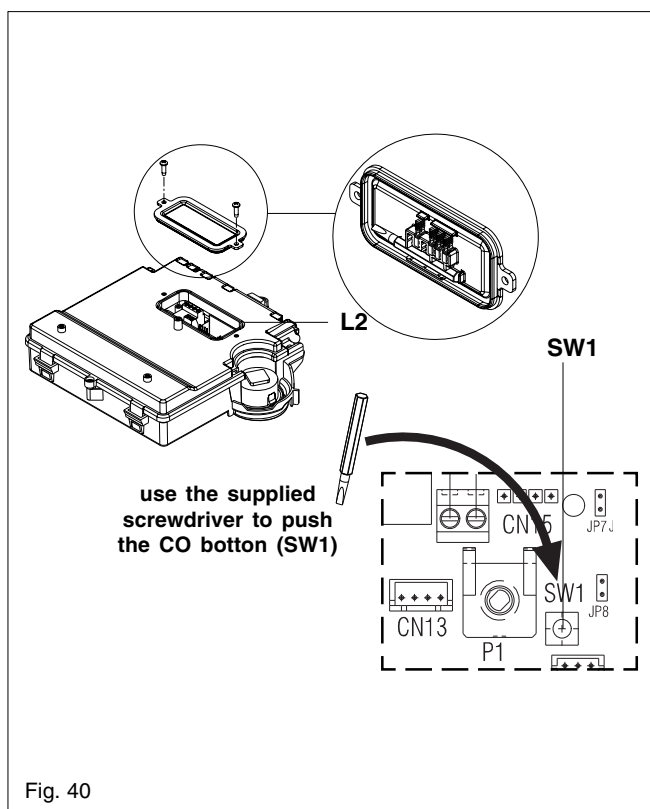


Fig. 40

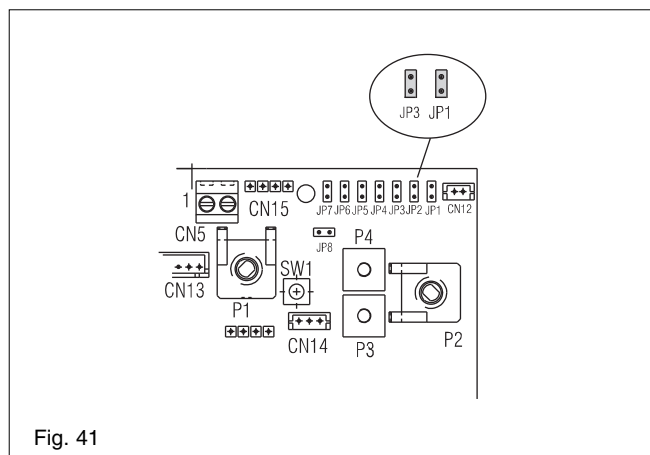



Fig. 41

7.5.1 CO₂ FUNCTION SETTINGS

Locate the CO button (see 7.3)


Select the main selector switch in position 

CO ₂ FUNCTIONS	ACTION ON THE BUTTON	LED STATUS
combustion analysis mode	press once = burner running at maximum heating	yellow led blinking
gas valve maximum setting (*)	press twice = burner running at maximum absolute	yellow led blinking + red led fixed
gas valve minimum setting	press three time = burner running at minimum	yellow led blinking + green led fixed

(*) this step has not to be used for the system boiler. If you find in this situation press the button once again.

NOTE

1 - Any additional pressing of CO button after the third time the burner switched between maximum absolute and minimum.

2 - To restart the CO function it is necessary to pass through the  position with the main selector switch

7.5.2 GAS VALVE MAXIMUM SETTING

Set the CO₂ button at maximum absolute (see 7.5.1), once the maximum absolute is obtained (yellow led blinking + red led fixed) check that it corresponds with the appropriate CO₂ value (Maximum) for the respective appliance (see 2.11). If the CO₂ reading is correct, proceed to gas valve minimum setting (7.5.3).

However, if the CO₂ reading is incorrect, the maximum gas pressure must be adjusted as follows:

- using a 2.5mm Allen key, very slowly turn the maximum adjustment screw (see fig. 42) – clockwise to decrease, counter clockwise to increase – until the correct value is displayed on the CO₂ analyser (allow time for the analyser to stabilise).

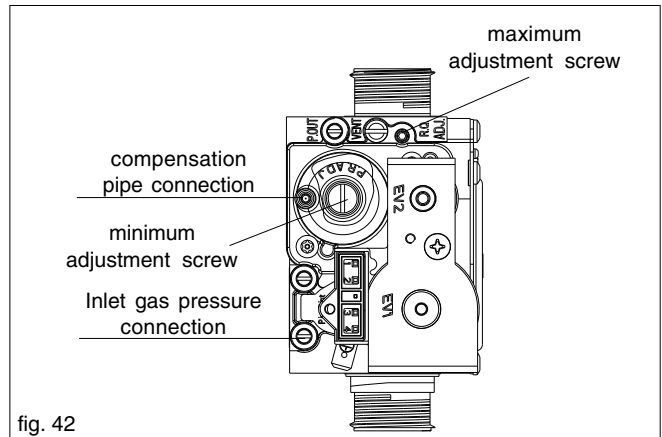


fig. 42

7.5.3 GAS VALVE MINIMUM SETTING


Set the CO₂ button at minimum (see 7.5.1), once the minimum is obtained (yellow led blinking + green led fixed) check that it corresponds with the appropriate CO₂ value (Minimum) for the respective appliance (see 2.11). If the CO₂ reading is correct, proceed to completion (7.5.4).

However, if the CO₂ reading is incorrect, the minimum gas pressure must be adjusted as follows:

- locate the minimum adjustment screw (fig. 42), using a suitable screwdriver remove the protection plug
- using a 4mm Allen key, very slowly turn the minimum adjustment screw (see fig. 42 - clockwise to increase, counter clockwise to decrease - until the correct value is displayed on the CO₂ analyser (allow time for the analyser to stabilise).

	NATURAL GAS	LPG
CO ₂ @ maximum output (%)	9.0	10,0
CO ₂ @ minimum output (%)	9.5	10,0

7.5.4 COMPLETION

On completion of the combustion analysis check and/or any gas valve adjustment, refit the plug (fig. 40 L2) and move the mode selector through  position. Remove the test probe from the test point and refit the sealing screw/s and/or cap.


IMPORTANT

A GAS TIGHTNESS CHECK MUST BE CARRIED OUT IF ANY GAS CARRYING COMPONENTS HAVE BEEN REMOVED,

7.6 RANGE RATED

This boiler can be adapted to the plant's thermal need, in fact, the maximum flow rate can be set for the boiler's heating function:

- Disconnect the power supply to the boiler.
- Turn the heating water temperature selector to the maximum value, that is the selector turned to 10
- Lift and rotate the control panel towards you
- Remove the cover by releasing the fixing hooks.
- Insert jumper JP1 (fig. 43)
- Put the power to the boiler on.

The three LEDs on the control panel flash alternately and an "ADJ" message is shown on the display for about 4 sec, after which the maximum heating value can be changed using the heating temperature selector and SW1(CO) button to set and confirm the required value. The display shows the icon .

End the procedure by removing jumper JP1 to save the values set in the memory.

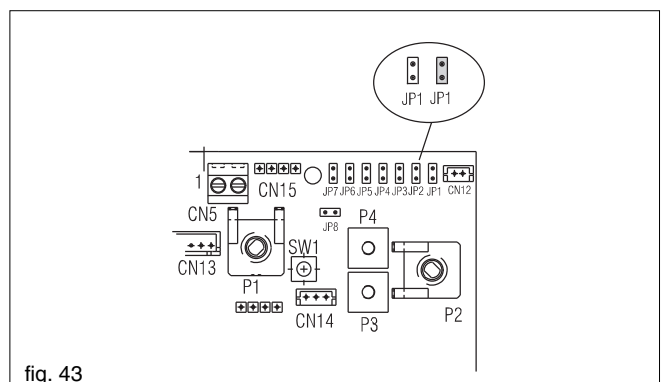
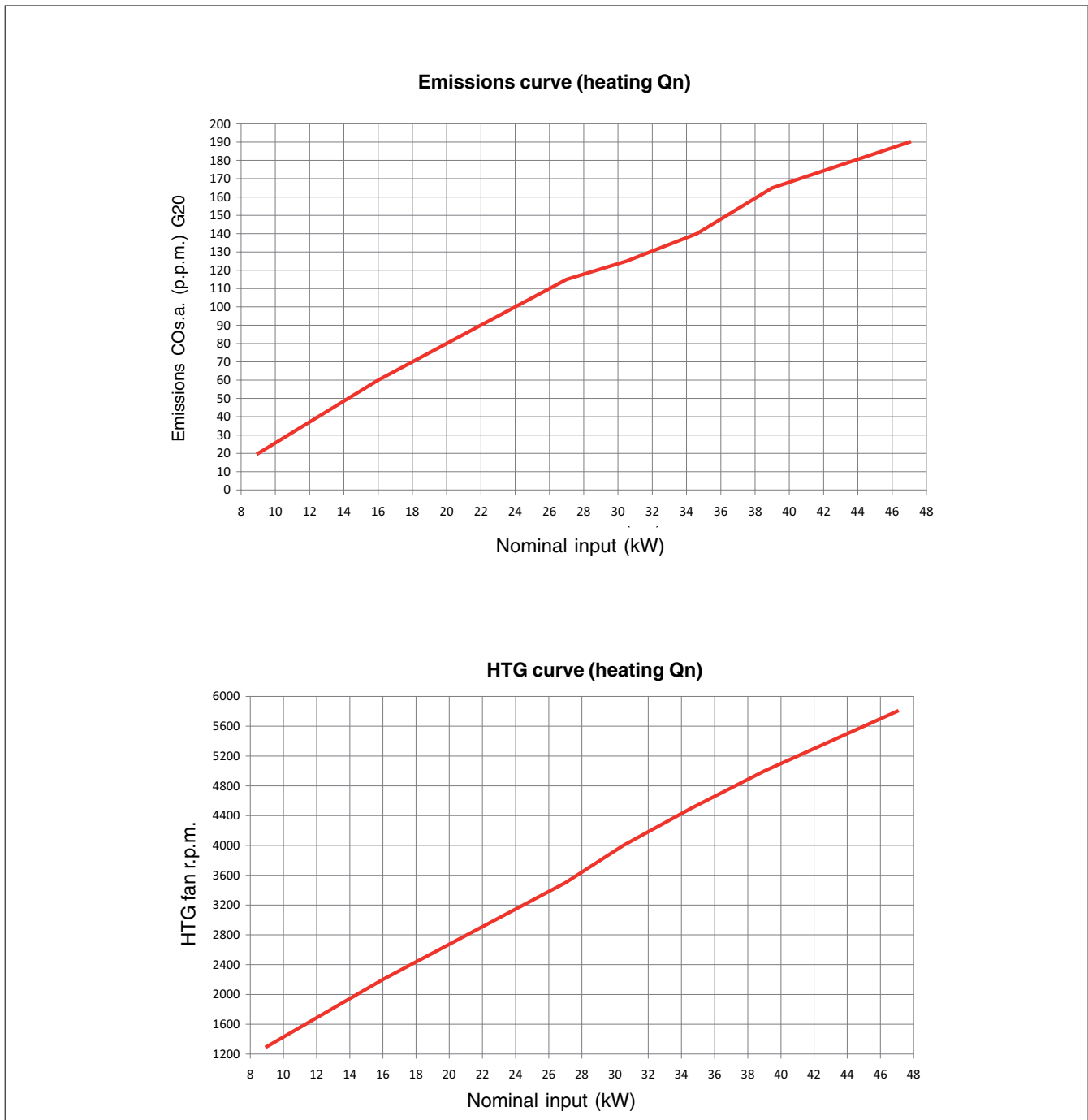


fig. 43

Once the required (maximum heating) power is set indicate the value on the instruction manual (see back cover). For subsequent checks and adjustments, see the value set.

Setting does not switch on the boiler. When the heating set-point selector knob is turned the display automatically shows the number of rpm expressed in hundreds (e.g. 25 = 2500 rpm).

The boiler is supplied with the settings shown in the table. However, this value can be adjusted based on plant needs or regional regulations on combusted gas emission limits, by referring to the graphs shown below.



REPLACED OR DISTURBED.

7.7 COMBUSTION ANALYSIS TEST

A combustion analysis check can easily be carried out on the appliance via the test points located on the top of the appliance (see 7.5).

- Insert the flue gas analyser probe into the flue gas test point (pos. 11 - fig. 3).
- Operate the boiler in combustion analysis mode (see 7.5.1) and compare the values with those shown in section 2 (Nat. Gas) or section 10 (LPG). If different adjust the gas valve according to 7.5.1, 7.5.2, & 7.5.3.

7.8 EXTERNAL FAULTS

Before carrying out any faultfinding or component replacement, ensure the fault is not attributable to any aspect of the installation.

7.8.1 INSTALLATION FAULTS

Symptom	Possible cause
No led/ignition	Check wiring/check electrical supply
No hot water	Check pipe-work
No heating	Check external controls
Fault	Possible cause
Red led fixed	Check gas supply, check flue system, check polarity

7.9 ELECTRICAL CHECKS

Any electrical checks must be carried out by a suitably qualified person.

7.9.1 EARTH CONTINUITY TEST

Isolate the appliance from the electrical supply, and using a suitable multi-meter carry out a resistance test. Connect test leads between an appliance earth point and the earth wire of the appliance supply cable. The resistance should be less than 1 OHM. If the resistance is greater than 1 OHM check all earth wires and connectors for continuity and integrity.

7.9.2 SHORT CIRCUIT CHECK

Isolate the appliance from the electrical supply, and using a suitable multi-meter, carry out a short circuit test between the Live & Neutral connections at the appliance terminal strip. Repeat above test on the Live & Earth connections at the appliance terminal strip.

NOTE

Should it be found that the fuse has failed but no fault is indicated, a detailed continuity check will be required to trace the fault. A visual inspection of components may also assist in locating the fault.

7.9.3 POLARITY CHECK

With the appliance connected to the electrical supply and using a suitable multimeter, carry out the following voltage tests:

- connect test leads between the Live & Neutral connections at the appliance terminal strip. The meter should read approximately 230V ac. If so proceed to next stage. If not, see 7.9.4.
- connect test leads between the Live & Earth connections at the appliance terminal strip. The meter should read approximately 230V ac. If so proceed to next stage. If not, see 7.9.4.
- connect test leads between the Neutral & Earth connections at the appliance terminal strip. The meter should read approximately 0 – 15Vac. If so polarity is correct. If not, see 7.9.4.

7.9.4 REVERSED POLARITY OR SUPPLY FAULT

Repeat the above tests at the appliance isolator, if testing reveals correct polarity and/or supply at the isolator, re-check wiring and connections between the isolator and the appliance. If tests on the isolator also reveal reversed polarity or a supply fault, consult the local electricity supplier for advice.

7.9.5 RESISTANCE TO EARTH CHECK

Isolate the appliance from the electrical supply, and using a suitable multi-meter carry out a resistance test. Connect test leads between the Live & Earth connections at the appliance terminal strip. If the meter reads other than infinity there is a fault that must be isolated, carry out a detailed continuity check to identify the location of the fault.

These series of checks must be carried out before attempting any faultfinding procedures on the appliance. On completion of any task that required the disconnection and re-connection of any electrical wiring or component, these checks must be repeated.

Disconnect any external controls from terminal plug (CN5 fig. 47), and insert a link-wire between the two wires at the 'TA' connections.

7.10 COMPONENT VALUES & CHARACTERISTICS

COMPONENT	VALUE
Fan	230Vac
Pump	230Vac
Ignition transformer	230Vac
Gas valve	230Vac
Room thermostat connection	24Vdc
NTC thermistor (dry contact)	10Kohm
NTC thermistor (wet contact)	10Kohm
FUNCTION	VALUE
Standard Heating temperature range (min – max °C)	40 - 80
Floor Heating temperature range (min – max °C)	20 - 45
75% maximum CH time	15 min
Heating OFF hysteresis (°C)	SP + 5
Heating ON hysteresis (°C)	SP – 5
Anti-cycle delay	3-min
Pump over-run	30-sec
Low output (min. output + %)	Min+25
CO function max temp. (°C)	90
CO re-light temp. (°C)	78
CO function time	15-min
Flow NTC max temp. (°C)	90
High limit thermostat (°C)	105
Flue NTC max temp. (°C)	125
Maximum differential (°C)	35
IGNITION CONTROL	VALUE
Ignition attempts before L/O (lockout)	5
Re-ignition attempts after loss of flame signal	5

7.11 APPLIANCE STATUS LED AND FAULT CODES

When the boiler detects a temporary fault condition, the appropriate led indication is shown. If/when the fault is final, the pump will perform a 60-second post circulation and red LED will be illuminated. See table on pag. 4.

Fault A 09 with the green and red LEDs flashing

The boiler has a self-diagnosis system that is able, based on the hours totalled under particular operating conditions, to indicate the need for cleaning of the primary exchanger (alarm code 09 with green and red LEDs flashing and the fume sensor counter > 2,500).

Once cleaning has been completed, using the specific kit supplied as an accessory, the counter for the totalled hours must be reset, using the following procedure:

- Disconnect the electrical power supply
- Remove the casing and turn the control panel around
- Remove the board cover
- While applying the electrical power supply to the boiler, press the CO button for at least 4 seconds to check that the counter has been reset and put the power to the boiler on again. The display shows the value for the counter after indicating “-C-”.

Live electrical parts (230 Vac).

Note: The counter resetting procedure must be done after each thorough cleaning of the primary exchanger or if it is replaced. To check the status of the hours totalled, multiply the value read by 100 (e.g. value read 18 = 1800 hours totalled - value read 1 = 100 hours totalled).

The boiler continues to function normally even when this alarm is active.

7.12 BOILER CONFIGURATION

The electronic board has a series of jumpers on it (JPX) that are used to configure the boiler.

Access to the board as follows:

- Turn the plant's main switch off.
- Unscrew the fixing screws for the casing, move it forward and then down to disconnect it from the chassis.
- Then lift and rotate the control panel towards you
- Remove the cover by releasing the fixing hooks.

JUMPER JP7:

Pre-selection of the heating temperature adjustment range that is most suitable for the type of plant.

Jumper not inserted - standard plant

Standard plant 40-80°C

Jumper inserted - floor-standing plant

Floor-standing plant 20-45°C

During fabrication the boiler was configured for standard plants.

JP1 Enabling front setting knobs (Range Rated)

JP2 Resetting heating timer

JP3 Setting (see “checking and adjusting” paragraph)

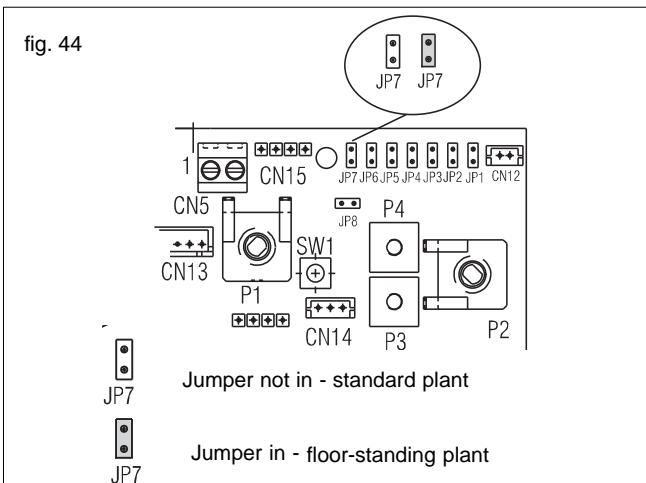
JP4 Unused

JP5 do not use - closed

JP6 Enabling night-time compensation function and pump continuously (only with external sensor connected)

JP7 Enabling standard/low temperature heating system (see above)

JP8 do not use - closed



SECTION 8 - WIRING DIAGRAMS

8.1 EXTERNAL WIRING

The appliance comes with a factory fitted (TA) link to allow basic operation of the boiler via the mode selector switch. If external controls are to be added to the system, they must be connected to the appliance as shown in the following diagrams. For advice on controls that are not featured in this book, please contact Vokera technical on **0844 3910999**

8.1.1 EXTERNAL WIRING LIMITATIONS

Any external wiring must remain within the limits as detailed in the table below

CONNECTION	MAX. LENGTH
Room thermostat	30-metres

8.2 TYPICAL CONTROL APPLICATIONS

The appliance can be used with the following controls:

- single-channel, voltage-free time clocks (fig. 45a)
- programmable room thermostats (fig. 45b)
- twin-channel programmers.

The appliance can be used in conjunction with typical 'S'-Plan systems, for 'Y'-Plan systems, a relay is required, please contact Vokera technical should you require further detailed instruction.

8.3 OTHER DEVICES

Contact the controls manufacturer and/or Vokera technical department should you require more specific information on the suitability of a particular control. Further guidance on the recommended practice for the installation of external controls, can be found in CHES – HC5/HC6 (www.energyefficiency.gov.uk).

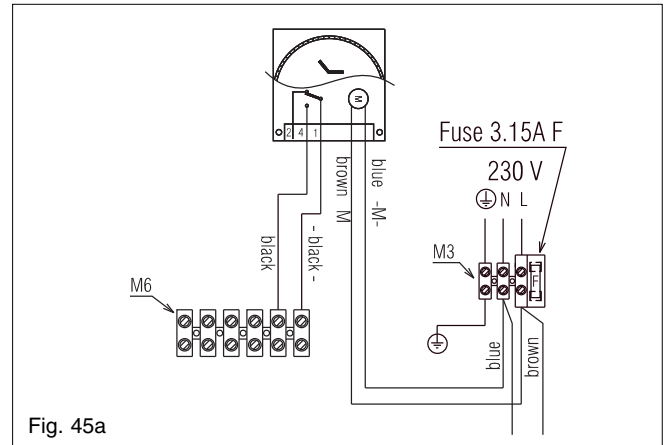


Fig. 45a

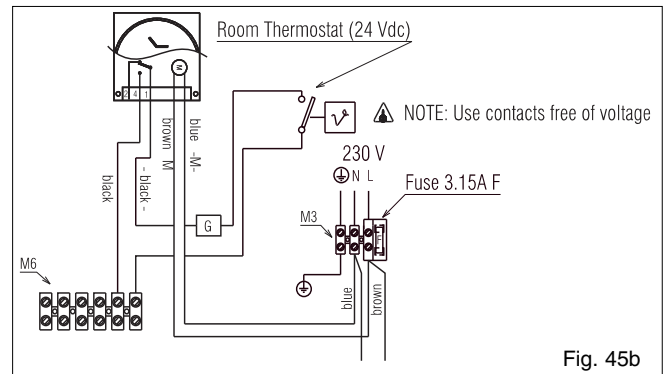


Fig. 45b

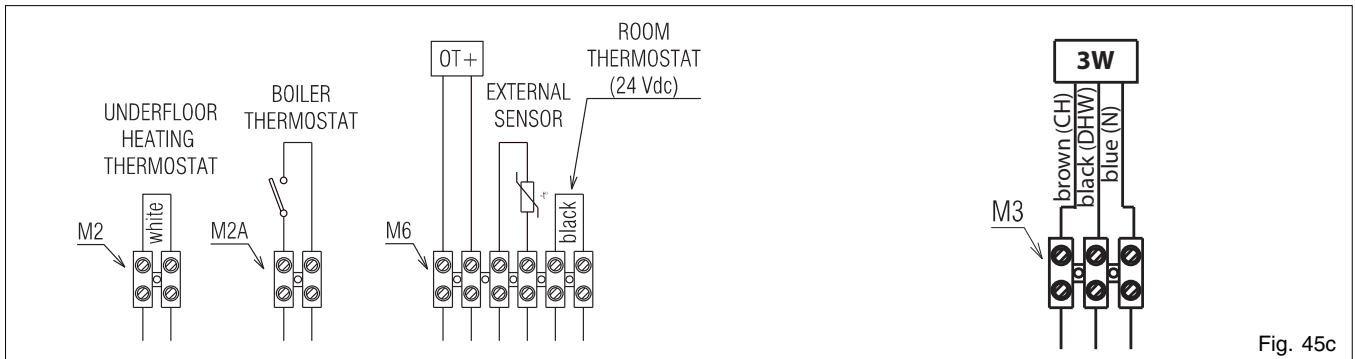


Fig. 45c

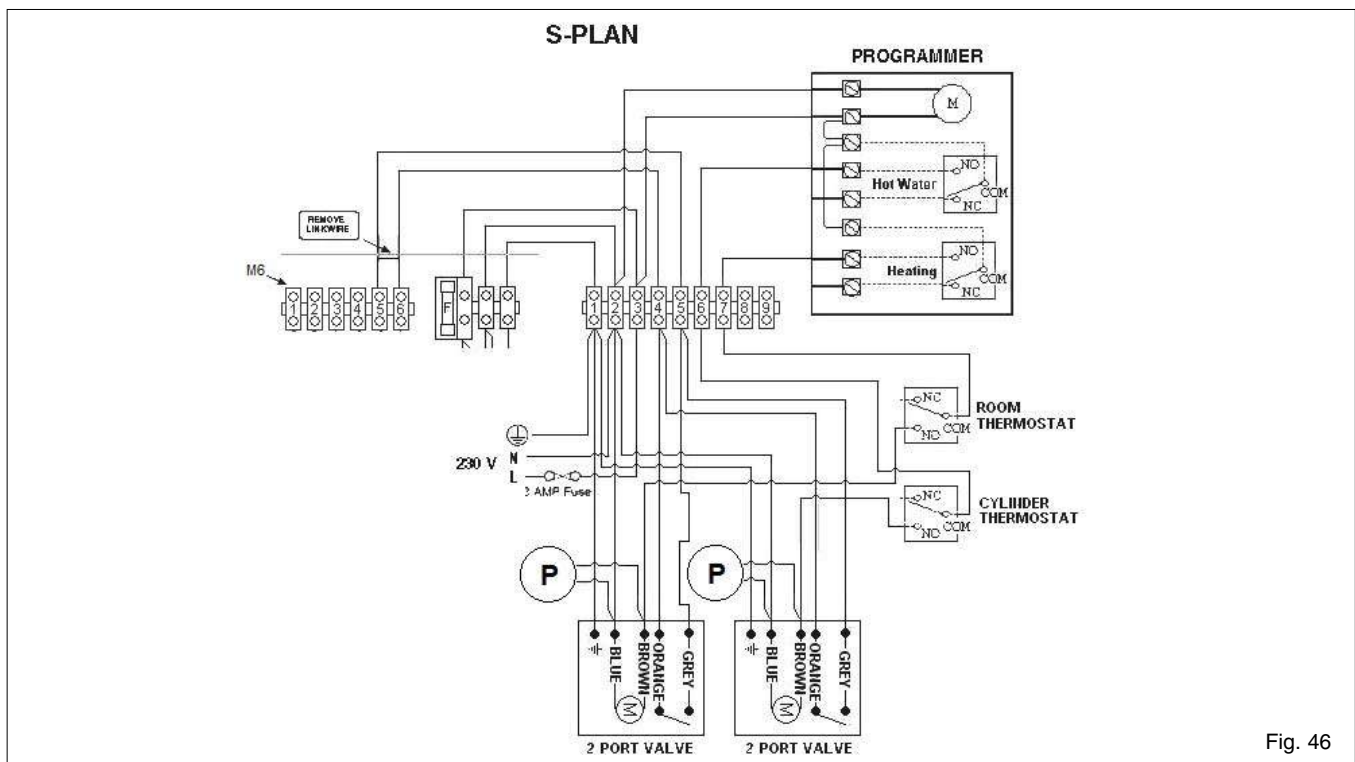
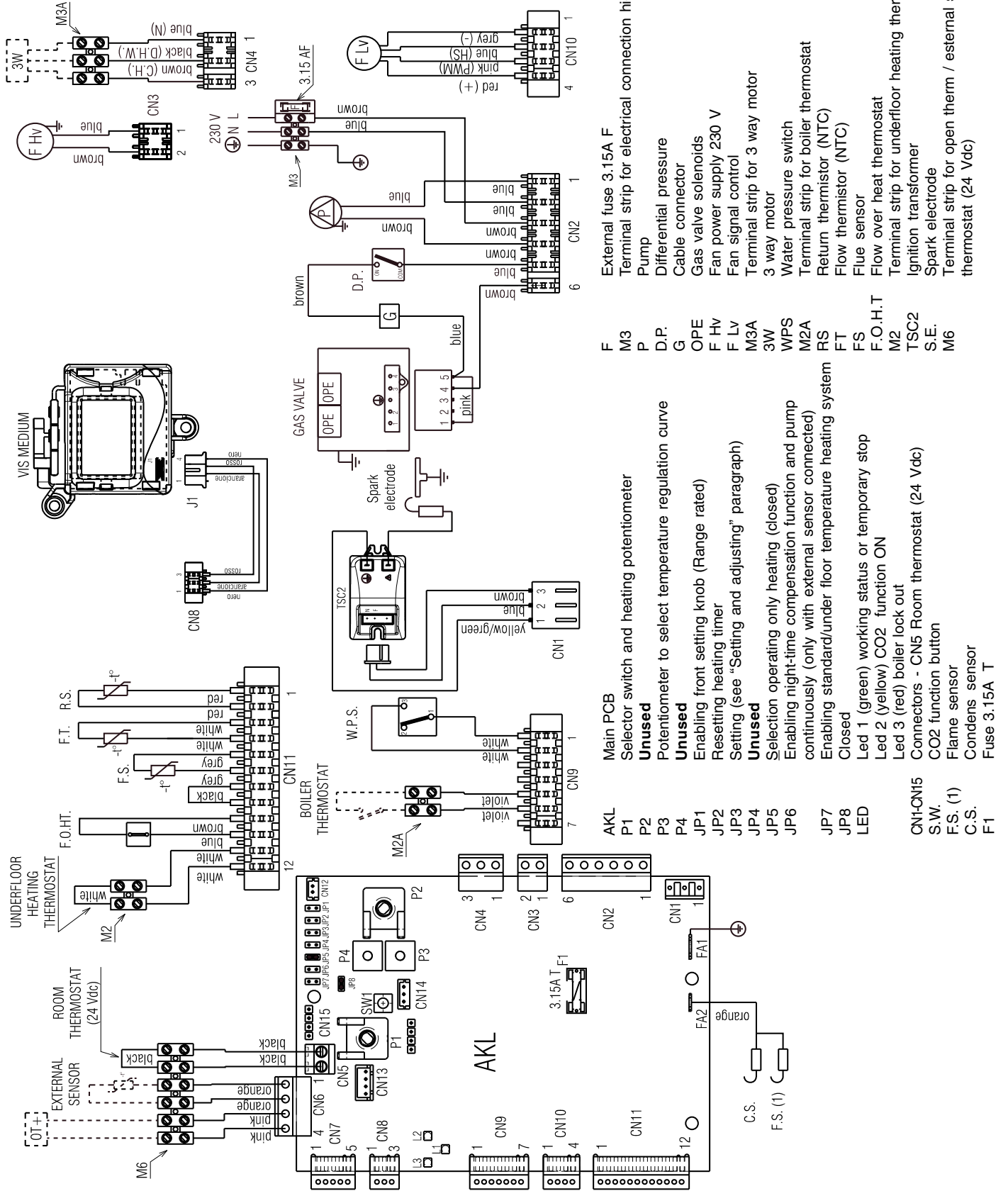


Fig. 46

FUNCTIONAL DIAGRAM

NOTE: L-N-E connection is advisable

Fig. 47



- F External fuse 3.15A F
- M3 Terminal strip for electrical connection high power
- P Pump
- D.P. Differential pressure
- G Cable connector
- OPE Gas valve solenoids
- F Hv Fan power supply 230 V
- F Lv Fan signal control
- M3A Terminal strip for 3 way motor
- 3W 3 way motor
- WPS Water pressure switch
- M2A Terminal strip for boiler thermostat
- RS Return thermistor (NTC)
- FT Flow thermistor (NTC)
- FS Flow sensor
- F.O.H.T Flow over heat thermostat
- M2 Terminal strip for underfloor heating thermostat
- TSC2 Ignition transformer
- S.E. Spark electrode
- M6 Terminal strip for open therm / external sensor/room thermostat (24 Vdc)

- AKL Main PCB
- P1 Selector switch and heating potentiometer
- P2 **Unused**
- P3 Potentiometer to select temperature regulation curve
- P4 **Unused**
- JP1 Enabling front setting knob (Range rated)
- JP2 Reseting heating timer
- JP3 Setting (see "Setting and adjusting" paragraph)
- JP4 **Unused**
- JP5 Selection operating only heating (closed)
- JP6 Enabling night-time compensation function and pump continuously (only with external sensor connected)
- JP7 Enabling standard/under floor temperature heating system
- JP8 Closed
- LED Led 1 (green) working status or temporary stop
- LED Led 2 (yellow) CO2 function ON
- LED Led 3 (red) boiler lock out
- CN1-CN15 Connectors - CN5 Room thermostat (24 Vdc)
- S.W. CO2 function button
- F.S. (1) Flame sensor
- C.S. Condens sensor
- F1 Fuse 3.15A T

SECTION 10 - LPG INSTRUCTIONS

10.1 RELATED DOCUMENTS

BS 5440	PARTS 1 & 2	FLUES & VENTILATION REQUIREMENTS
BS 5449	PART 1	FORCED CIRCULATION OF HOT WATER SYSTEMS
BS 5482	PART 1	DOMESTIC BUTANE & PROPANE GAS BURNERS IN PERMANENT DWELLINGS
BS 5546		INSTALLATION OF GAS HOT WATER SUPPLIES FOR DOMESTIC PURPOSES
BS 6798		INSTALLATION OF BOILERS OF RATED NOT EXCEEDING 60kW

10.2 TECHNICAL DATA

Gas Pressures	Verve	
Inlet pressure	37.0	mbar
Heating maximum gas rate	3.65	kg/hr
Minimum gas rate	0.93	kg/hr
Injector size	5.7	mm
Efficiency SEDBUK	91.5 Band "A"	
Emissions		
CO max	220	ppm
CO min	40	ppm
NOx max	30	ppm
NOx min	30	ppm
CO ₂ max	10.0	%
CO ₂ min	10.0	%

10.3 CONVERTING THE APPLIANCE GAS TYPE

To convert the appliance to another gas type it is necessary to change the injector and adjust the gas valve (CO₂).

- To change the injector see 6.12.1
- To adjust the fan speed see 10.7
- To adjust CO₂ values see 10.6

10.4 GAS SUPPLY

The gas supply must be connected to the appliance by a competent LPG installer and must be of sufficient size to supply the appliance at its maximum output. An existing supply must be checked to ensure that it is of adequate size to deal with the maximum rated input of this and any other appliances that it serves.

10.5 GAS SUPPLY INSTALLATION

The entire installation including the meter must be purged and checked for gas tightness.

10.6 CHECKING THE CO₂ AND ADJUSTING THE GAS VALVE


THE GAS VALVE MUST BE SET-UP OR ADJUSTED WITH THE AID OF A PROPERLY CALIBRATED FLUE GAS ANALYSER.

Isolate the appliance from the electrical supply and remove the appliance casing as described in 4.7.1. Set the flue gas analyser to read CO₂ and insert the probe into the flue analysis test point (Y1-Z1 fig. 39). Restore the electrical supply to the boiler and switch the boiler to the OFF mode.

Have access to the printed circuit board, locate and open the closing plug on the dash board (L2 fig. 40), locate and press the CO button (see fig. 36 pos. SW1). The display shows "ACO" and the yellow led blinks. The appliance will now operate in CO₂ mode for approximately 15-minutes.

10.6.1 CO₂ FUNCTION SETTINGS

Locate the CO button (see 7.4)

Select the main selector switch in position 

CO ₂ FUNCTIONS	ACTION ON THE BUTTON	LED STATUS
combustion analysis mode	press once = burner running at maximum heating	yellow led blinking
gas valve maximum setting	press twice = burner running at maximum absolute	yellow led blinking + red led fixed
gas valve minimum setting	press three times = burner running at minimum	yellow led blinking + green led fixed

10.6.2 GAS VALVE MAXIMUM SETTING

Set the CO button at maximum absolute (see 10.6.1), once the maximum absolute is obtained (yellow led blinking + red led fixed) check that it corresponds with the appropriate CO₂ value (Maximum) for the respective appliance. If the CO₂ reading is correct, proceed to gas valve minimum setting (10.6.3).

However, if the CO₂ reading is incorrect, the maximum gas pressure must be adjusted as follows:

- using a 2.5mm Allen key, very slowly turn the maximum adjustment screw (see fig. 42) – clockwise to decrease, counter clockwise to increase – until the correct value is displayed on the CO₂ analyser (allow time for the analyser to stabilise).

10.6.3 GAS VALVE MINIMUM SETTING


Set the CO button at minimum (see 10.6.1), once the minimum is obtained (yellow led blinking + green led fixed) check that it corresponds with the appropriate CO₂ value (Minimum) for the respective appliance. If the CO₂ reading is correct, proceed to completion (10.6.4).

However, if the CO₂ reading is incorrect, the minimum gas pressure must be adjusted as follows:

- locate the minimum adjustment screw (fig. 42), using a suitable screwdriver remove the protection plug
- using a 4mm Allen key, very slowly turn the minimum adjustment screw (see fig. 42) - clockwise to increase, counter clockwise to decrease - until the correct value is displayed on the CO₂ analyser (allow time for the analyser to stabilise).

10.6.4 COMPLETION

On completion of the combustion analysis check and/or any gas valve adjustment, refit the plug (L2 - fig. 40) and move the mode selector to the position. Remove the test probe from the test point and refit the sealing screw/s and/or cap.

NOTE 1 - Any additional pressing of CO button after the third time the burner switched between maximum DHW and minimum.
2 - To restart the CO₂ function it is necessary to pass through the  position with the main selector switch

IMPORTANT: A GAS TIGHTNESS CHECK MUST BE CARRIED OUT IF ANY GAS CARRYING COMPONENTS HAVE BEEN REMOVED, REPLACED OR DISTURBED.

ATTENTION

Gas type and appliance output **must be set** according to the specific appliance specification.

Vokèra accepts no responsibility if the gas type and/or appliance output is not correctly adjusted according to the respective appliance specification as detailed on the appliance data badge.

10,7 ADJUSTING THE APPLIANCE FAN SPEEDS

The maximum and minimum power, the maximum heating and slow ignition setting must strictly be done in the sequence indicated and only by qualified personnel:

- Disconnect the power supply to the boiler.
- Turn the heating water temperature selector to the maximum value, that is the selector turned to the **10**
- Then lift and rotate the control panel towards you
- Remove the board cover by releasing the fixing hooks.
- Insert jumpers JP1 and JP3 (fig. 41)
- Put the power to the boiler on.

The three LEDs on the control panel flash simultaneously and the display reads “ADJ” for about 4 sec.

Proceed to modify the following parameters:

- 1 Absolute maximum
- 2 Minimum
- 3 Maximum heating
- 4 Slow ignition

as described below:

- Turn the heating water temperature selector to set the value required.
- Press the CO button (SW1) and move on to setting the next parameter.


Live electrical parts (230 Vac).

The following icons switch on on the display:

1. During absolute maximum setting (MAX)
2. During minimum setting (MIN)
3. During maximum heating setting (HTG)
4. During slow ignition setting (IGN)

End the procedure by removing jumpers JP1 and JP3 to save the values set in this way.

The procedure can be ended at any time without saving the values set and keeping the initial settings:

- Turning the function selector to “ OFF/RESET
- Switching off the mains power supply
- After a delay of 15 min after switching it on.

Setting does not switch on the boiler.

When the heating selector knob is turned the display automatically shows the number of RPM expressed in hundreds (e.g. 25 = 2500 rpm).

Fan speed (rpm) table

MAX	MIN	HTG	IGN
5800	1600	5800	3000

GAS BOILER SYSTEM COMMISSIONING CHECKLIST

This Commissioning Checklist is to be completed in full by the competent person who commissioned the boiler as a means of demonstrating compliance with the appropriate Building Regulations and then handed to the customer to keep for future reference.

Failure to install and commission this equipment to the manufacturer's instructions may invalidate the warranty but does not affect statutory rights.

Customer Name _____ Telephone Number _____
 Address _____
 Boiler Make and Model _____
 Boiler Serial Number _____
 Commissioned by (print name) _____ CORGI ID Number _____
 Company Name _____ Telephone Number _____
 Company Address _____
 Commissioning Date _____

To be completed by the customer on receipt of a Building Regulations Compliance Certificate* :

Building Regulations Notification Number (if applicable) _____

CONTROLS Tick the appropriate boxes

Time and Temperature Control to Heating	Room Thermostat and Programmer/Timer <input type="checkbox"/>	Programmable Room Thermostat <input type="checkbox"/>	Load/Weather Compensation <input type="checkbox"/>	Optimum Start Control <input type="checkbox"/>
Time and Temperature Control to Hot Water	Cylinder Thermostat and Programmer/Timer <input type="checkbox"/>		Combination Boiler <input type="checkbox"/>	
Heating Zone Valves	Fitted <input type="checkbox"/>		Not Required <input type="checkbox"/>	
Hot Water Zone Valves	Fitted <input type="checkbox"/>		Not Required <input type="checkbox"/>	
Thermostatic Radiator Valves	Fitted <input type="checkbox"/>		Not Required <input type="checkbox"/>	
Automatic Bypass to System	Fitted <input type="checkbox"/>		Not Required <input type="checkbox"/>	
Boiler Interlock				Provided <input type="checkbox"/>

ALL SYSTEMS

The system has been flushed and cleaned in accordance with BS7593 and boiler manufacturer's instructions Yes

What system cleaner was used? _____

What inhibitor was used? _____ Quantity litres

CENTRAL HEATING MODE Measure and Record:

Gas Rate	<input style="width: 60px;" type="text"/>	m ³ /hr	OR	<input style="width: 60px;" type="text"/>	ft ³ /hr
Burner Operating Pressure (if applicable)	<input style="width: 60px;" type="text"/>	mbar	OR	Gas Inlet Pressure	<input style="width: 60px;" type="text"/> mbar
Central Heating Flow Temperature	<input style="width: 100px;" type="text"/> °C				
Central Heating Return Temperature	<input style="width: 100px;" type="text"/> °C				

COMBINATION BOILERS ONLY

Is the installation in a hard water area (above 200ppm)? Yes No

If yes, has a water scale reducer been fitted? Yes No

What type of scale reducer has been fitted? _____

DOMESTIC HOT WATER MODE Measure and Record:

Gas Rate	<input style="width: 60px;" type="text"/>	m ³ /hr	OR	<input style="width: 60px;" type="text"/>	ft ³ /hr
Burner Operating Pressure (at maximum rate)	<input style="width: 60px;" type="text"/>	mbar	OR	Gas Inlet Pressure (at maximum rate)	<input style="width: 60px;" type="text"/> mbar
Cold Water Inlet Temperature	<input style="width: 100px;" type="text"/> °C				
Hot water has been checked at all outlets	Yes <input type="checkbox"/>				Temperature <input style="width: 60px;" type="text"/> °C
Water Flow Rate	<input style="width: 100px;" type="text"/> l/min				

CONDENSING BOILERS ONLY

The condensate drain has been installed in accordance with the manufacturer's instructions and/or BS5546/BS6798 Yes

ALL INSTALLATIONS

If required by the manufacturer, record the following CO₂ % OR CO ppm OR CO/CO₂ Ratio

The heating and hot water system complies with the appropriate Building Regulations Yes

The boiler and associated products have been installed and commissioned in accordance with the manufacturer's instructions Yes

The operation of the boiler and system controls have been demonstrated to and understood by the customer Yes

The manufacturer's literature, including Benchmark Checklist and Service Record, has been explained and left with the customer Yes

Commissioning Engineer's Signature _____

Customer's Signature _____

(To confirm satisfactory demonstration and receipt of manufacturer's literature)

*All installations in England and Wales must be notified to Local Authority Building Control (LABC) either directly or through a Competent Persons Scheme. A Building Regulations Compliance Certificate will then be issued to the customer.



SERVICE RECORD

It is recommended that your heating system is serviced regularly and that the appropriate Service Record is completed.

Service Provider

Before completing the appropriate Service Record below, please ensure you have carried out the service as described in the manufacturer's instructions.

Always use the manufacturer's specified spare part when replacing controls.

SERVICE 1 Date _____
Energy Efficiency Checklist completed? Yes No
Engineer Name _____
Company Name _____
Telephone Number _____
CORGI ID Number _____
Comments _____
Signature _____

SERVICE 2 Date _____
Energy Efficiency Checklist completed? Yes No
Engineer Name _____
Company Name _____
Telephone Number _____
CORGI ID Number _____
Comments _____
Signature _____

SERVICE 3 Date _____
Energy Efficiency Checklist completed? Yes No
Engineer Name _____
Company Name _____
Telephone Number _____
CORGI ID Number _____
Comments _____
Signature _____

SERVICE 4 Date _____
Energy Efficiency Checklist completed? Yes No
Engineer Name _____
Company Name _____
Telephone Number _____
CORGI ID Number _____
Comments _____
Signature _____

SERVICE 5 Date _____
Energy Efficiency Checklist completed? Yes No
Engineer Name _____
Company Name _____
Telephone Number _____
CORGI ID Number _____
Comments _____
Signature _____

SERVICE 6 Date _____
Energy Efficiency Checklist completed? Yes No
Engineer Name _____
Company Name _____
Telephone Number _____
CORGI ID Number _____
Comments _____
Signature _____

SERVICE 7 Date _____
Energy Efficiency Checklist completed? Yes No
Engineer Name _____
Company Name _____
Telephone Number _____
CORGI ID Number _____
Comments _____
Signature _____

SERVICE 8 Date _____
Energy Efficiency Checklist completed? Yes No
Engineer Name _____
Company Name _____
Telephone Number _____
CORGI ID Number _____
Comments _____
Signature _____

SERVICE 9 Date _____
Energy Efficiency Checklist completed? Yes No
Engineer Name _____
Company Name _____
Telephone Number _____
CORGI ID Number _____
Comments _____
Signature _____

SERVICE 10 Date _____
Energy Efficiency Checklist completed? Yes No
Engineer Name _____
Company Name _____
Telephone Number _____
CORGI ID Number _____
Comments _____
Signature _____

RANGE RATED - EN 483

The max CH input of this boiler has been adjusted to _____ kW,
equivalent to _____ rpm max CH fan speed.

Date ___/___/___

Signature _____

Boiler serial number _____

Cod. 20040022 - 09/11 - Ed. 1

Registered address:

Vokèra Ltd
Borderlake House
Unit 7 Riverside Industrial Estate
London Colney
Herts AL2 1HG

enquiries@vokera.co.uk

www.vokera.co.uk
www.vokera.ie

Sales, General Enquires

T 0844 391 0999
F 0844 391 0998

Vokèra Ireland
West Court, Callan
Co Kilkenny
T 056 7755057
F 056 7755060

Vokèra Limited reserve the right to change
specification without prior notice
Consumers statutory rights are not affected.

A Riello Group Company.
Company Reg No: 1047779